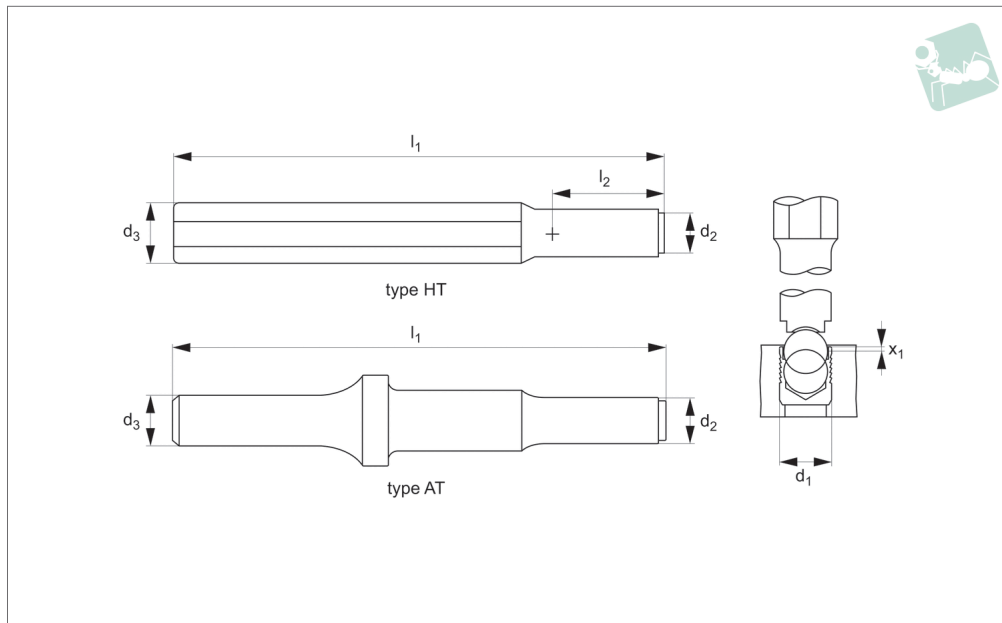




Setting Tool for Sealing Plugs for expansion plugs

Expansion Sealing Plugs



SE0508

EXPANSION SEALING PLUGS

Material

Tool steel, heat-treated.

Technical Notes

Please consult technical pages for installa-

tion instructions and performance data.

Hand tool version and air tool (for multiple installations).

Ensure the ball is fully seated before

applying pressure.

Tips

Metric dimensions in mm.

Inch dimensions in inches.

Order No.	d ₁	d ₂	d ₃	l ₁	l ₂	x ±0.2	Type
SE0508.030-C	3.0	2.8	9.53	127	10	0.4	Hand
SE0508.040-C	4.0	3.8	9.53	127	10	0.2	Hand
SE0508.050-C	5.0	4.7	9.53	127	12	0.4	Hand
SE0508.060-C	6.0	5.8	9.53	127	15	0.4	Hand
SE0508.070-C	7.0	6.8	9.53	127	18	0.4	Hand
SE0508.080-C	8.0	7.8	9.53	127	20	0.3	Hand
SE0508.090-C	9.0	8.7	15.88	127	22	0.4	Hand
SE0508.100-C	10.0	9.8	15.88	127	25	0.4	Hand
SE0508.120-C	12.0	11.7	15.88	127	30	0.4	Hand
SE0508.140-C	14.0	13.7	19.05	127	35	0.4	Hand
SE0508.160-C	16.0	15.7	19.05	127	40	0.6	Hand
SE0508.180-C	18.0	17.7	19.05	127	45	0.6	Hand
SE0509.030-C	3.0	2.8	10.19	100	0.4	0.4	Air
SE0509.040-C	4.0	3.8	10.19	100	0.2	0.2	Air
SE0509.050-C	5.0	4.7	10.19	100	0.4	0.4	Air
SE0509.060-C	6.0	5.8	10.19	100	0.4	0.4	Air
SE0509.070-C	7.0	6.8	10.19	100	0.4	0.4	Air
SE0509.080-C	8.0	7.8	10.19	100	0.3	0.3	Air
SE0509.090-C	9.0	8.7	10.19	100	0.4	0.4	Air
SE0509.100-C	10.0	9.8	10.19	100	0.4	0.4	Air
SE0509.200-C	20.0	19.7	10.19	100	0.8	0.8	Air
SE0508.220-C	22.0	21.7	10.19	100	0.8	0.8	Air

Expansion Sealing Plugs

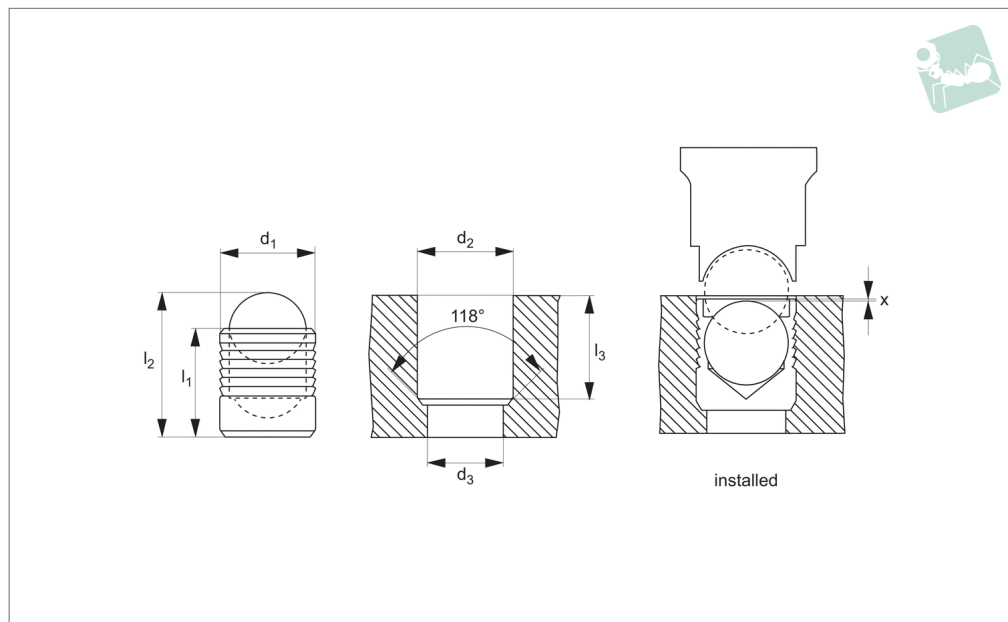
Expansion Sealing Plugs

Metric - standard



SE0501

EXPANSION SEALING PLUGS



Material

Plug body: case hardened steel (zinc-plated), stainless steel (A2, AISI 303 & A4 AISI 316) or aluminium (2024-T4).

Ball: heat-treated bearing steel or stainless steel (A2, AISI 303 & A4 AISI 316).

Technical Notes

These high pressure sealing plugs are used to blank off externally drilled holes for air

and gas.

No need for tapping, reaming, machining of O-ring grooves or the use of tapes or sealants.

Ensure the ball is fully seated before applying pressure.

Tips

Working pressure up to 450 bar (dependent on body material and material into which

installed).

Please consult technical pages for installation instructions and performance data.

Important Notes

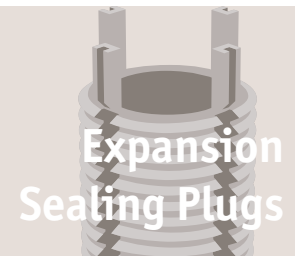
Please refer to technical pages for product installation details.

Order No.	d ₁	l ₁	l ₂	d ₂ +0.1 -0.0	d ₃ max.	l ₃ min.	x ±0.2	Body	Ball
SE0501.01-030-C	3.0	3.6	4.6	3.0	2.2	3.4	0.4	Steel ZP	Steel
SE0501.01-040-C	4.0	4.0	5.2	4.0	3.3	3.8	0.2	Steel ZP	Steel
SE0501.01-050-C	5.0	5.5	7.1	5.0	4.3	5.3	0.4	Steel ZP	Steel
SE0501.01-060-C	6.0	6.5	8.7	6.0	5.3	6.3	0.4	Steel ZP	Steel
SE0501.01-070-C	7.0	7.5	10.2	7.0	6.4	7.3	0.4	Steel ZP	Steel
SE0501.01-080-C	8.0	8.5	11.6	8.0	7.4	8.3	0.3	Steel ZP	Steel
SE0501.01-090-C	9.0	10.0	13.6	9.0	8.4	9.8	0.4	Steel ZP	Steel
SE0501.01-100-C	10.0	11.0	15.2	10.0	9.4	10.8	0.4	Steel ZP	Steel
SE0501.01-120-C	12.0	13.0	17.9	12.0	10.6	12.8	0.4	Steel ZP	Steel
SE0501.01-140-C	14.0	15.0	20.6	14.0	12.7	14.5	0.4	Steel ZP	Steel
SE0501.01-160-C	16.0	17.0	23.4	16.0	14.7	16.5	0.6	Steel ZP	Steel
SE0501.01-180-C	18.0	19.0	26.4	18.0	16.7	18.5	0.6	Steel ZP	Steel
SE0501.01-200-C	20.0	22.0	30.1	20.0	18.7	21.5	0.8	Steel ZP	Steel
SE0501.01-220-C	22.0	25.0	34.0	22.0	20.7	24.5	0.8	Steel ZP	Steel
SE0501.02-030-S	3.0	3.6	4.6	3.0	2.2	3.4	0.4	A2 s/s	Steel
SE0501.02-040-S	4.0	4.0	5.2	4.0	3.3	3.8	0.2	A2 s/s	Steel
SE0501.02-050-S	5.0	5.5	7.1	5.0	4.3	5.3	0.4	A2 s/s	Steel
SE0501.02-060-S	6.0	6.5	8.7	6.0	5.3	6.3	0.4	A2 s/s	Steel
SE0501.02-070-S	7.0	7.5	10.2	7.0	6.4	7.3	0.4	A2 s/s	Steel
SE0501.02-080-S	8.0	8.5	11.6	8.0	7.4	8.3	0.3	A2 s/s	Steel
SE0501.02-090-S	9.0	10.0	13.6	9.0	8.4	9.8	0.4	A2 s/s	Steel
SE0501.02-100-S	10.0	11.0	15.2	10.0	9.4	10.8	0.4	A2 s/s	Steel
SE0501.02-120-S	12.0	13.0	17.9	12.0	10.6	12.8	0.4	A2 s/s	Steel
SE0501.02-140-S	14.0	15.0	20.6	14.0	12.7	14.5	0.4	A2 s/s	Steel
SE0501.02-160-S	16.0	17.0	23.4	16.0	14.7	16.5	0.6	A2 s/s	Steel
SE0501.02-180-S	18.0	19.0	26.4	18.0	16.7	18.5	0.6	A2 s/s	Steel
SE0501.02-200-S	20.0	22.0	30.1	20.0	18.7	21.5	0.8	A2 s/s	Steel
SE0501.02-220-S	22.0	25.0	34.0	22.0	20.7	24.5	0.8	A2 s/s	Steel



Expansion Sealing Plugs

Metric - standard



Order No.	d ₁	l ₁	l ₂	d ₂ +0.1 -0.0	d ₃ max.	l ₃ min.	x ±0.2	Body	Ball
SE0501.04-030-T	3.0	3.6	4.6	3.0	2.2	3.4	0.4	A4 s/s	A4 s/s
SE0501.04-040-T	4.0	4.0	5.2	4.0	3.3	3.8	0.2	A4 s/s	A4 s/s
SE0501.04-050-T	5.0	5.5	7.1	5.0	4.3	5.3	0.4	A4 s/s	A4 s/s
SE0501.04-060-T	6.0	6.5	8.7	6.0	5.3	6.3	0.4	A4 s/s	A4 s/s
SE0501.04-070-T	7.0	7.5	10.2	7.0	6.4	7.3	0.4	A4 s/s	A4 s/s
SE0501.04-080-T	8.0	8.5	11.6	8.0	7.4	8.3	0.3	A4 s/s	A4 s/s
SE0501.04-090-T	9.0	10.0	13.6	9.0	8.4	9.8	0.4	A4 s/s	A4 s/s
SE0501.04-100-T	10.0	11.0	15.2	10.0	9.4	10.8	0.4	A4 s/s	A4 s/s
SE0501.04-120-T	12.0	13.0	17.9	12.0	10.6	12.8	0.4	A4 s/s	A4 s/s
SE0501.04-140-T	14.0	15.0	20.6	14.0	12.7	14.5	0.4	A4 s/s	A4 s/s
SE0501.04-160-T	16.0	17.0	23.4	16.0	14.7	16.5	0.6	A4 s/s	A4 s/s
SE0501.04-180-T	18.0	19.0	26.4	18.0	16.7	18.5	0.6	A4 s/s	A4 s/s
SE0501.04-200-T	20.0	22.0	30.1	20.0	18.7	21.5	0.8	A4 s/s	A4 s/s
SE0501.04-220-T	22.0	25.0	34.0	22.0	20.7	24.5	0.8	A4 s/s	A4 s/s
SE0501.05-030-A	3.0	3.6	4.6	3.0	2.2	3.4	0.4	Aluminium	A2 s/s
SE0501.05-040-A	4.0	4.0	5.2	4.0	3.3	3.8	0.2	Aluminium	A2 s/s
SE0501.05-050-A	5.0	5.5	7.1	5.0	4.3	5.3	0.4	Aluminium	A2 s/s
SE0501.05-060-A	6.0	6.5	8.7	6.0	5.3	6.3	0.4	Aluminium	A2 s/s
SE0501.05-070-A	7.0	7.5	10.2	7.0	6.4	7.3	0.4	Aluminium	A2 s/s
SE0501.05-080-A	8.0	8.5	11.6	8.0	7.4	8.3	0.3	Aluminium	A2 s/s
SE0501.05-090-A	9.0	10.0	13.6	9.0	8.4	9.8	0.4	Aluminium	A2 s/s
SE0501.05-100-A	10.0	11.0	15.2	10.0	9.4	10.8	0.4	Aluminium	A2 s/s
SE0501.05-120-A	12.0	13.0	17.9	12.0	10.6	12.8	0.4	Aluminium	A2 s/s
SE0501.05-140-A	14.0	15.0	20.6	14.0	12.7	14.5	0.4	Aluminium	A2 s/s
SE0501.05-160-A	16.0	17.0	23.4	16.0	14.7	16.5	0.6	Aluminium	A2 s/s
SE0501.05-180-A	18.0	19.0	26.4	18.0	16.7	18.5	0.6	Aluminium	A2 s/s
SE0501.05-200-A	20.0	22.0	30.1	20.0	18.7	21.5	0.8	Aluminium	A2 s/s
SE0501.05-220-A	22.0	25.0	34.0	22.0	20.7	24.5	0.8	Aluminium	A2 s/s
SE0501.03-030-S	3.0	3.6	4.6	3.0	2.2	3.4	0.4	A2 s/s	A2 s/s
SE0501.03-040-S	4.0	4.0	5.2	4.0	3.3	3.8	0.2	A2 s/s	A2 s/s
SE0501.03-050-S	5.0	5.5	7.1	5.0	4.3	5.3	0.4	A2 s/s	A2 s/s
SE0501.03-060-S	6.0	6.5	8.7	6.0	5.3	6.3	0.4	A2 s/s	A2 s/s
SE0501.03-070-S	7.0	7.5	10.2	7.0	6.4	7.3	0.4	A2 s/s	A2 s/s
SE0501.03-080-S	8.0	8.5	11.6	8.0	7.4	8.3	0.3	A2 s/s	A2 s/s
SE0501.03-090-S	9.0	10.0	13.6	9.0	8.4	9.8	0.4	A2 s/s	A2 s/s
SE0501.03-100-S	10.0	11.0	15.2	10.0	9.4	10.8	0.4	A2 s/s	A2 s/s
SE0501.03-120-S	12.0	13.0	17.9	12.0	10.6	12.8	0.4	A2 s/s	A2 s/s
SE0501.03-140-S	14.0	15.0	20.6	14.0	12.7	14.5	0.4	A2 s/s	A2 s/s
SE0501.03-160-S	16.0	17.0	23.4	16.0	14.7	16.5	0.6	A2 s/s	A2 s/s
SE0501.03-180-S	18.0	19.0	26.4	18.0	16.7	18.5	0.6	A2 s/s	A2 s/s
SE0501.03-200-S	20.0	22.0	30.1	20.0	18.7	21.5	0.8	A2 s/s	A2 s/s
SE0501.03-220-S	22.0	25.0	34.0	22.0	20.7	24.5	0.8	A2 s/s	A2 s/s

EXPANSION SEALING PLUGS

Expansion Sealing Plugs

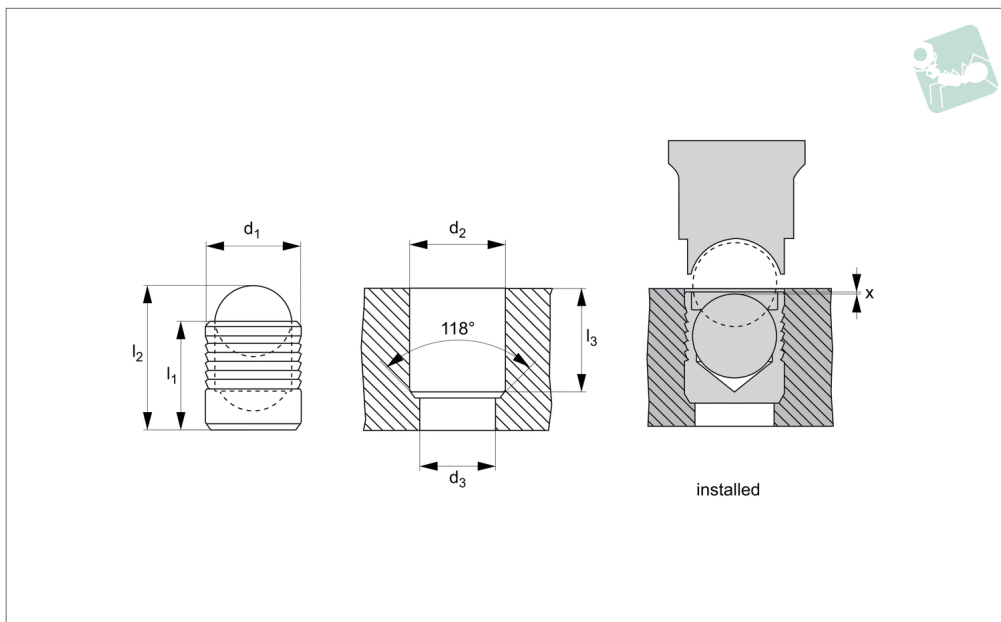
Expansion Sealing Plugs - Inch

Inch - short



SE0505

EXPANSION SEALING PLUGS



Material

Plug body: case hardened steel (zinc-plated), stainless steel (A2, AISI 303 & A4 AISI 316) or aluminium (2024-T4).

Ball: heat-treated bearing steel or stainless steel (A2, AISI 303 & A4 AISI 316).

Technical Notes

These high pressure sealing plugs are used to blank off externally drilled holes for air

and gas.

No need for tapping, reaming, machining of O-ring grooves or the use of tapes or sealants.

Ensure the ball is fully seated before applying pressure.

Dimensions in inches.

Tips

Working pressure up to 450 bar (dependent

on body material and material into which installed).

Please consult technical pages for installation instructions and performance data.

Important Notes

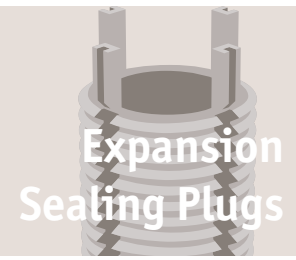
Please refer to technical pages for product installation details.

Order No.	d ₁	l ₁	l ₂	d ₂ +0.004 -0.000	d ₃ max.	l ₃ min.	x +0.0 -0.010	Body	Ball
SE0505.01-093-C	0.0937	0.098	0.12	0.0937	0.070	0.081	0.010	Steel ZP	Steel
SE0505.01-125-C	0.1250	0.125	0.16	0.1250	0.100	0.113	0.010	Steel ZP	Steel
SE0505.01-156-C	0.1562	0.125	0.17	0.1562	0.130	0.113	0.010	Steel ZP	Steel
SE0505.01-187-C	0.1875	0.187	0.24	0.1875	0.160	0.170	0.010	Steel ZP	Steel
SE0505.01-218-C	0.2187	0.187	0.25	0.2187	0.190	0.170	0.010	Steel ZP	Steel
SE0505.01-250-C	0.2500	0.225	0.30	0.2500	0.220	0.196	0.010	Steel ZP	Steel
SE0505.01-281-C	0.2812	0.225	0.35	0.2812	0.250	0.233	0.010	Steel ZP	Steel
SE0505.01-312-C	0.3125	0.280	0.39	0.3125	0.281	0.255	0.010	Steel ZP	Steel
SE0505.01-343-C	0.3437	0.307	0.43	0.3437	0.312	0.275	0.010	Steel ZP	Steel
SE0505.01-406-C	0.4062	0.365	0.52	0.4062	0.375	0.308	0.010	Steel ZP	Steel
SE0505.02-093-S	0.0937	0.098	0.12	0.0937	0.070	0.081	0.010	A2 s/s	Steel
SE0505.02-125-S	0.1250	0.125	0.16	0.1250	0.100	0.113	0.010	A2 s/s	Steel
SE0505.02-156-S	0.1562	0.125	0.17	0.1562	0.130	0.113	0.010	A2 s/s	Steel
SE0505.02-187-S	0.1875	0.187	0.24	0.1875	0.160	0.170	0.010	A2 s/s	Steel
SE0505.02-218-S	0.2187	0.187	0.25	0.2187	0.190	0.170	0.010	A2 s/s	Steel
SE0505.02-250-S	0.2500	0.225	0.30	0.2500	0.220	0.196	0.010	A2 s/s	Steel
SE0505.02-281-S	0.2812	0.225	0.35	0.2812	0.250	0.233	0.010	A2 s/s	Steel
SE0505.02-312-S	0.3125	0.280	0.39	0.3125	0.281	0.255	0.010	A2 s/s	Steel
SE0505.02-343-S	0.3437	0.307	0.43	0.3437	0.312	0.275	0.010	A2 s/s	Steel
SE0505.02-406-S	0.4062	0.365	0.52	0.4062	0.375	0.308	0.010	A2 s/s	Steel
SE0505.03-093-S	0.0937	0.098	0.12	0.0937	0.070	0.081	0.010	A2 s/s	A2 s/s
SE0505.03-125-S	0.1250	0.125	0.16	0.1250	0.100	0.113	0.010	A2 s/s	A2 s/s
SE0505.03-156-S	0.1562	0.125	0.17	0.1562	0.130	0.113	0.010	A2 s/s	A2 s/s
SE0505.03-187-S	0.1875	0.187	0.24	0.1875	0.160	0.170	0.010	A2 s/s	A2 s/s
SE0505.03-218-S	0.2187	0.187	0.25	0.2187	0.190	0.170	0.010	A2 s/s	A2 s/s
SE0505.03-250-S	0.2500	0.225	0.30	0.2500	0.220	0.196	0.010	A2 s/s	A2 s/s
SE0505.03-281-S	0.2812	0.225	0.35	0.2812	0.250	0.233	0.010	A2 s/s	A2 s/s
SE0505.03-312-S	0.3125	0.280	0.39	0.3125	0.281	0.255	0.010	A2 s/s	A2 s/s



Expansion Sealing Plugs - Inch

Inch - short



Order No.	d ₁	l ₁	l ₂	d ₂ +0.004 -0.000	d ₃ max.	l ₃ min.	x +0.0 -0.010	Body	Ball
SE0505.03-343-S	0.3437	0.307	0.43	0.3437	0.312	0.275	0.010	A2 s/s	A2 s/s
SE0505.03-406-S	0.4062	0.365	0.52	0.4062	0.375	0.308	0.010	A2 s/s	A2 s/s
SE0505.04-125-T	0.1250	0.125	0.16	0.1250	0.100	0.113	0.010	A4 s/s	A4 s/s
SE0505.04-156-T	0.1562	0.125	0.17	0.1562	0.130	0.113	0.010	A4 s/s	A4 s/s
SE0505.04-187-T	0.1875	0.187	0.24	0.1875	0.160	0.170	0.010	A4 s/s	A4 s/s
SE0505.04-218-T	0.2187	0.187	0.25	0.2187	0.190	0.170	0.010	A4 s/s	A4 s/s
SE0505.04-250-T	0.2500	0.225	0.30	0.2500	0.220	0.196	0.010	A4 s/s	A4 s/s
SE0505.04-281-T	0.2812	0.225	0.35	0.2812	0.250	0.233	0.010	A4 s/s	A4 s/s
SE0505.04-312-T	0.3125	0.280	0.39	0.3125	0.281	0.255	0.010	A4 s/s	A4 s/s
SE0505.04-343-T	0.3437	0.307	0.43	0.3437	0.312	0.275	0.010	A4 s/s	A4 s/s
SE0505.04-406-T	0.4062	0.365	0.52	0.4062	0.375	0.308	0.010	A4 s/s	A4 s/s
SE0505.05-125-A	0.1250	0.125	0.16	0.1250	0.100	0.113	0.010	Aluminium	A2 s/s
SE0505.05-156-A	0.1562	0.125	0.17	0.1562	0.130	0.113	0.010	Aluminium	A2 s/s
SE0505.05-187-A	0.1875	0.187	0.24	0.1875	0.160	0.170	0.010	Aluminium	A2 s/s
SE0505.05-218-A	0.2187	0.187	0.25	0.2187	0.190	0.170	0.010	Aluminium	A2 s/s
SE0505.05-250-A	0.2500	0.225	0.30	0.2500	0.220	0.196	0.010	Aluminium	A2 s/s
SE0505.05-281-A	0.2812	0.225	0.35	0.2812	0.250	0.233	0.010	Aluminium	A2 s/s
SE0505.05-312-A	0.3125	0.280	0.39	0.3125	0.281	0.255	0.010	Aluminium	A2 s/s
SE0505.05-343-A	0.3437	0.307	0.43	0.3437	0.312	0.275	0.010	Aluminium	A2 s/s
SE0505.05-406-A	0.4062	0.365	0.52	0.4062	0.375	0.308	0.010	Aluminium	A2 s/s

EXPANSION SEALING PLUGS

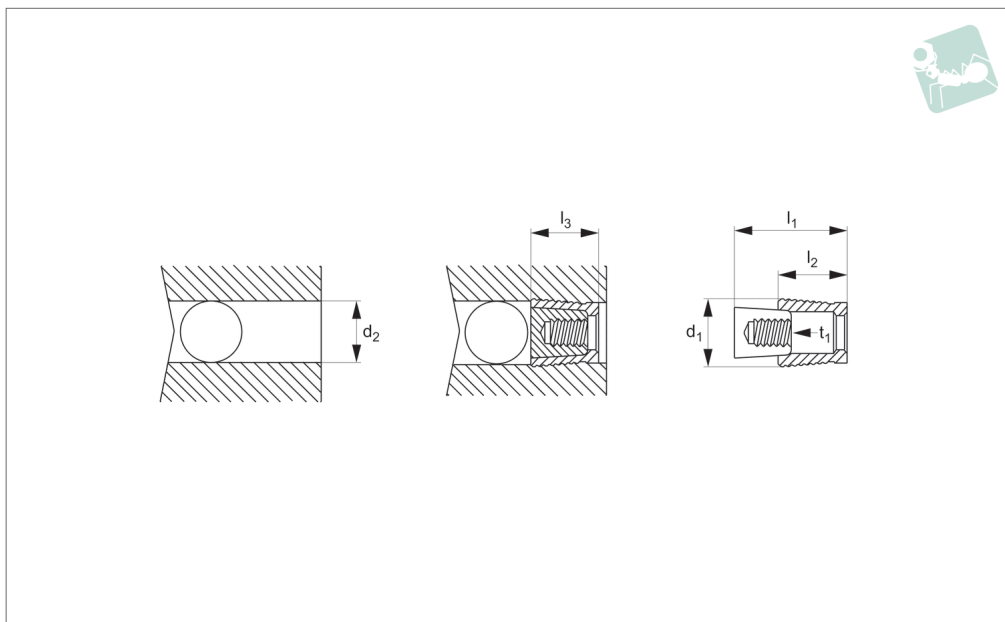
Expansion Sealing Plugs

Pull Sealing Plugs



SE0522

EXPANSION SEALING PLUGS



Material

Sleeve: case-hardened steel, black oxide finish.
Pin: heat-treatable steel, black oxide finish.

to blank off externally drilled holes for air and gas.
No need for tapping, reaming, machining of O-ring grooves or the use of tapes or sealants.

product installation details.

Technical Notes

These high pressure sealing plugs are used

Important Notes

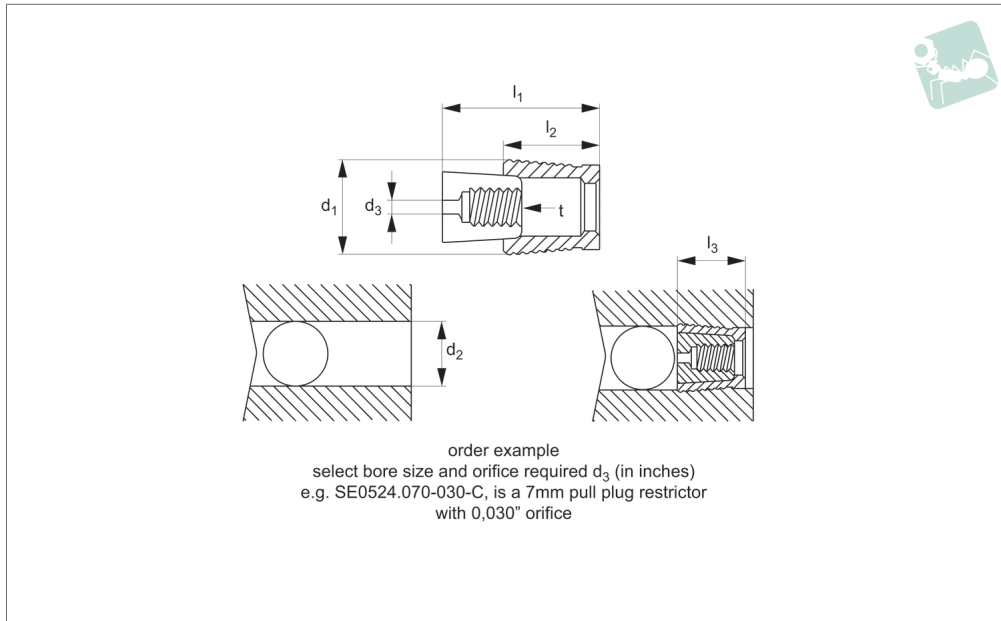
Please refer to technical pages for

Order No.	d ₁	d ₂ +0.1 -0.0	l ₁	l ₂	l ₃	t ₁
SE0522.070-C	7.0	7.0	13.0	7.5	8.0	4-40 UNC
SE0522.080-C	8.0	8.0	14.0	8.5	9.0	6-32 UNC
SE0522.090-C	9.0	9.0	16.0	9.5	10.0	8-32 UNC
SE0522.100-C	10.0	10.0	18.0	10.5	11.0	10-32 UNC
SE0522.120-C	12.0	12.0	21.0	12.5	13.0	10-32 UNC
SE0522.140-C	14.0	14.0	25.0	14.5	15.0	1/4-20 UNC
SE0522.160-C	16.0	16.0	28.0	16.5	17.0	1/4-20 UNC
SE0522.180-C	18.0	18.0	31.5	18.5	19.0	5/16-18 UNC
SE0522.200-C	20.0	20.0	35.0	20.5	21.0	3/8-16 UNC
SE0522.220-C	22.0	22.0	38.5	22.5	23.0	3/8-16 UNC



Pull Plug Restrictors

Expansion Sealing Plugs



SE0524

EXPANSION SEALING PLUGS

Material

Sleeve: case-hardened steel, black oxide finish.

Pin: heat-treatable steel, black oxide finish.

Technical Notes

To order please specify orifice size d_3

required (-xxx) and add to order no.

Ordering example:

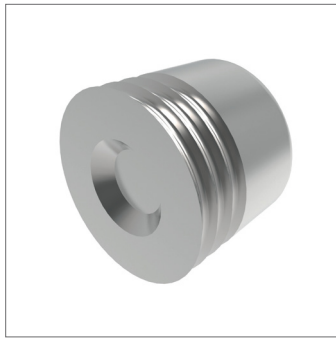
Select the bore size and d_3 required (in inches).

eg. SE0524-070-030 is a 7mm pull plug restrictor with 0.030" orifice.

Important Notes

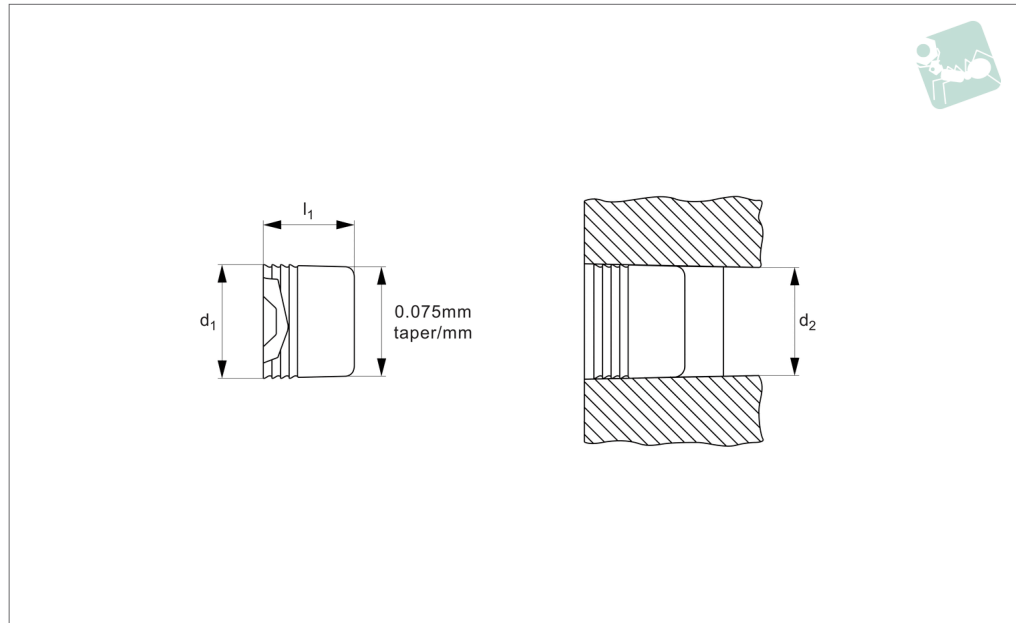
Please refer to technical pages for product installation details.

Order No.	d_1	l_1	l_2	d_2 +0.1 -0.0	l_3	d_3 inch	t
SE0524.070-XXX-C	7.0	13.0	7.5	7.0	8.0	0,012-0,13	4-40 UNC
SE0524.080-XXX-C	8.0	14.0	8.5	8.0	9.0	0,012-0,15	6-32 UNC
SE0524.090-XXX-C	9.0	16.0	9.5	9.0	10.0	0,012-0,17	8-32 UNC
SE0524.100-XXX-C	10.0	18.0	10.5	10.0	11.0	0,012-0,20	10-32 UNC
SE0524.120-XXX-C	12.0	21.0	12.5	12.0	13.0	0,012-0,24	10-32 UNC
SE0524.140-XXX-C	14.0	25.0	14.5	14.0	15.0	0,012-0,28	1/4-20 UNC
SE0524.160-XXX-C	16.0	28.0	16.5	16.0	17.0	0,012-0,30	1/4-20 UNC
SE0524.180-XXX-C	18.0	31.5	18.5	18.0	19.0	0,012-0,35	5/16-18 UNC
SE0524.200-XXX-C	20.0	35.0	20.5	20.0	21.0	0,012-0,40	3/8-16 UNC
SE0524.220-XXX-C	22.0	38.5	22.5	22.0	23.0	0,012-0,43	3/8-16 UNC



SE0526

EXPANSION SEALING PLUGS



Material
Aluminium (6061).

a 0.075mm/mm taper over their length.
Burst pressure 35 bar (500 psi).

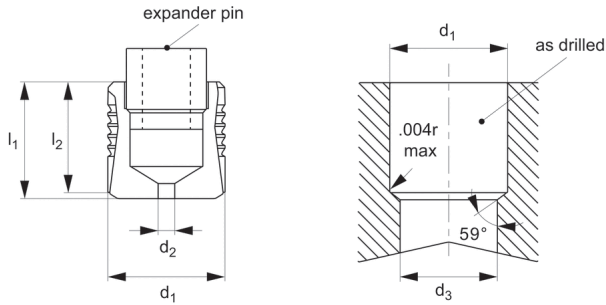
Technical Notes
These are high pressure sealing plugs with

Order No.	d ₁	d ₂ max.	l ₁	Size
SE0526.070-A	7.01	6.50	5.5	7
SE0526.090-A	9.01	8.38	5.5	9



Expansion Restrictors

Expansion Sealing Plugs



order example
select bore size and orifice required d_2 (in inches)
e.g. SE0528.090-015-S, is a 9mm expansion restrictor
with 0.015" orifice



SE0528

EXPANSION SEALING PLUGS

Material

A2 Stainless steel.
Calibrated hole diameter (d_2).

Technical Notes

For restricting flow.
To order please specify orifice size d_2
required (-xxx) and add to order number.

Ordering example:

Select size required then add -xxx which
indicate reduced hole diameter (d_2), eg
SE0528.090-015-S indicated a 9mm bore
size with a 0.015" orifice.

Tips

Metric dimensions in mm.

Imperial dimensions in inches. (Length
Tolerance $\pm 0,006$)

Important Notes

Please refer to technical pages for
product installation details.

Order No.	d_1 +0	l_1 ± 0.010	l_2 ± 0.010	d_2 ± 0.001	d_3 ± 0.010	l_3 min.	d_4 max.
SE0528.040-XXX-S	4,00	4.0	3.7	0,012-0,015"	4.00	3.8	3.3
SE0528.050-XXX-S	5,00	5.0	5.2	0,012-0,075"	5.00	5.3	4.3
SE0528.060-XXX-S	6,00	6.0	6.2	0,012-0,100"	6.00	6.3	5.3
SE0528.070-XXX-S	7,00	7.0	7.2	0,012-0,130"	7.00	7.3	6.2
SE0528.080-XXX-S	8,00	8.0	8.2	0,012-0,150"	8.00	8.3	7.2
SE0528.090-XXX-S	9,00	9.0	9.70	0,012-0,170"	9.00	9.8	8.2
SE0528.100-XXX-S	10,00	10.0	10.70	0,012-0,195"	10.00	10.8	9.2
SE0528.120-XXX-S	12,00	12.0	12.70	0,012-0,240"	12.00	12.8	11.0
SE0528.140-XXX-S	14,00	14.0	14.40	0,012-0,280"	14.00	14.5	13.0
SE0528.156-XXX-S	0,1562	0,161"	0,149"	0,012-0,050"	0,1562"	0,149"	0,130"
SE0528.187-XXX-S	0,1875	0,220"	0,208"	0,012-0,070"	0,1875"	0,208"	0,160"
SE0528.218-XXX-S	0,2187	0,220"	0,208"	0,012-0,085"	0,2187"	0,208"	0,190"
SE0528.250-XXX-S	0,2500	0,259"	0,247"	0,012-0,105"	0,2500"	0,247"	0,220"
SE0528.281-XXX-S	0,2817	0,299"	0,287"	0,012-0,130"	0,2812"	0,287"	0,250"
SE0528.312-XXX-S	0,3125	0,338"	0,326"	0,012-0,150"	0,3125"	0,326"	0,281"
SE0528.343-XXX-S	0,3437	0,397"	0,385"	0,012-0,160"	0,3437"	0,385"	0,312"
SE0528.375-XXX-S	0,3750	0,397"	0,385"	0,012-0,180"	0,3750"	0,385"	0,343"
SE0528.406-XXX-S	0,4062	0,437"	0,425"	0,012-0,195"	0,4062"	0,425"	0,375"
SE0528.437-XXX-S	0,4375	0,515"	0,503"	0,012-0,220"	0,4375"	0,503"	0,406"
SE0528.468-XXX-S	0,4687	0,515"	0,503"	0,012-0,240"	0,4687"	0,503"	0,437"
SE0528.562-XXX-S	0,5625	0,594"	0,570"	0,012-0,290"	0,5625"	0,570"	0,510"

Expansion Sealing Plugs

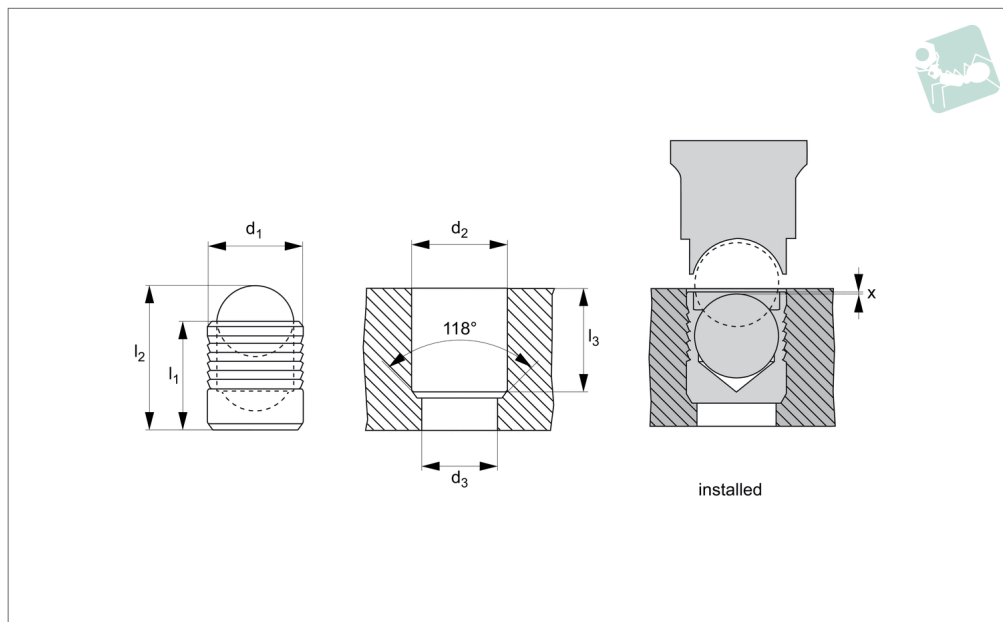
Expansion Sealing Plugs - Inch

Inch - standard



SE0507

EXPANSION SEALING PLUGS



Material

Plug body: case hardened steel (zinc-plated), stainless steel (A2, AISI 303 & A4 AISI 316) or aluminium (2024-T4).

Ball: heat-treated bearing steel or stainless steel (A2, AISI 303 & A4 AISI 316).

Technical Notes

These high pressure sealing plugs are used to blank off externally drilled holes for air

and gas.

No need for tapping, reaming, machining of O-ring grooves or the use of tapes or sealants.

Ensure the ball is fully seated before applying pressure.

Dimensions in inches.

Tips

Working pressure up to 450 bar (dependent

on body material and material into which installed).

Please consult technical pages for installation instructions and performance data.

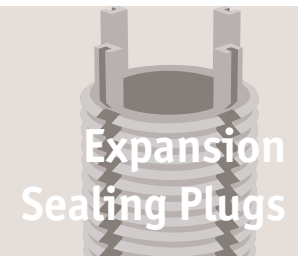
Important Notes

Please refer to technical pages for product installation details.

Order No.	d ₁	l ₁	l ₂	d ₂ +0.004 -0.000	d ₃ max.	l ₃ min.	x +0.0 -0.010	Body	Ball
SE0507.01-015-C	0.1562	0.157	0.21	0.1562	0.130	0.150	0.010	Steel ZP	Steel
SE0507.01-018-C	0.1875	0.216	0.28	0.1875	0.160	0.209	0.010	Steel ZP	Steel
SE0507.01-021-C	0.2187	0.220	0.28	0.2187	0.190	0.208	0.010	Steel ZP	Steel
SE0507.01-025-C	0.2500	0.256	0.34	0.2500	0.220	0.248	0.010	Steel ZP	Steel
SE0507.01-028-C	0.2812	0.295	0.40	0.2812	0.250	0.287	0.010	Steel ZP	Steel
SE0507.01-031-C	0.3125	0.334	0.46	0.3125	0.281	0.327	0.010	Steel ZP	Steel
SE0507.01-034-C	0.3437	0.394	0.53	0.3437	0.312	0.385	0.010	Steel ZP	Steel
SE0507.01-037-C	0.3750	0.433	0.60	0.3750	0.343	0.425	0.010	Steel ZP	Steel
SE0507.01-040-C	0.4062	0.437	0.59	0.4062	0.375	0.425	0.010	Steel ZP	Steel
SE0507.01-043-C	0.4375	0.515	0.68	0.4375	0.406	0.503	0.010	Steel ZP	Steel
SE0507.01-046-C	0.4687	0.512	0.71	0.4687	0.437	0.504	0.010	Steel ZP	Steel
SE0507.02-018-S	0.1875	0.216	0.28	0.1875	0.160	0.209	0.010	A2 s/s	A2 s/s
SE0507.02-021-S	0.2187	0.220	0.28	0.2187	0.190	0.208	0.010	A2 s/s	A2 s/s
SE0507.02-025-S	0.2500	0.256	0.34	0.2500	0.220	0.248	0.010	A2 s/s	A2 s/s
SE0507.02-028-S	0.2812	0.295	0.40	0.2812	0.250	0.287	0.010	A2 s/s	A2 s/s
SE0507.02-031-S	0.3125	0.334	0.46	0.3125	0.281	0.327	0.010	A2 s/s	A2 s/s
SE0507.02-034-S	0.3437	0.394	0.53	0.3437	0.312	0.385	0.010	A2 s/s	A2 s/s
SE0507.02-037-S	0.3750	0.433	0.60	0.3750	0.343	0.425	0.010	A2 s/s	A2 s/s
SE0507.02-040-S	0.4062	0.437	0.59	0.4062	0.375	0.425	0.010	A2 s/s	A2 s/s
SE0507.02-043-S	0.4375	0.515	0.68	0.4375	0.406	0.503	0.010	A2 s/s	A2 s/s
SE0507.02-046-S	0.4687	0.512	0.71	0.4687	0.437	0.504	0.010	A2 s/s	A2 s/s
SE0507.03-018-S	0.1875	0.216	0.28	0.1875	0.160	0.209	0.010	A4 s/s	A4 s/s
SE0507.03-021-S	0.2187	0.220	0.28	0.2187	0.190	0.208	0.010	A4 s/s	A4 s/s
SE0507.03-025-S	0.2500	0.256	0.34	0.2500	0.220	0.248	0.010	A4 s/s	A4 s/s
SE0507.03-028-S	0.2812	0.295	0.40	0.2812	0.250	0.287	0.010	A4 s/s	A4 s/s
SE0507.03-031-S	0.3125	0.334	0.46	0.3125	0.281	0.327	0.010	A4 s/s	A4 s/s
SE0507.03-034-S	0.3437	0.394	0.53	0.3437	0.312	0.385	0.010	A4 s/s	A4 s/s
SE0507.03-040-S	0.4062	0.437	0.59	0.4062	0.375	0.425	0.010	A4 s/s	A4 s/s



Expansion Sealing Plugs - Inch Inch - standard



Order No.	d_1	l_1	l_2	d_2 +0.004 -0.000	d_3 max.	l_3 min.	x +0.0 -0.010	Body	Ball
SE0507.03-043-S	0.4375	0.515	0.68	0.4375	0.406	0.503	0.010	A4 s/s	A4 s/s
SE0507.03-046-S	0.4687	0.512	0.71	0.4687	0.437	0.504	0.010	A4 s/s	A4 s/s
SE0507.04-018-T	0.1875	0.216	0.28	0.1875	0.160	0.209	0.010	Aluminium	A2 s/s
SE0507.04-021-T	0.2187	0.220	0.28	0.2187	0.190	0.208	0.010	Aluminium	A2 s/s
SE0507.04-025-T	0.2500	0.256	0.34	0.2500	0.220	0.248	0.010	Aluminium	A2 s/s
SE0507.04-028-T	0.2812	0.295	0.40	0.2812	0.250	0.287	0.010	Aluminium	A2 s/s
SE0507.04-031-T	0.3125	0.334	0.46	0.3125	0.281	0.327	0.010	Aluminium	A2 s/s
SE0507.04-034-T	0.3437	0.394	0.53	0.3437	0.312	0.385	0.010	Aluminium	A2 s/s
SE0507.04-037-T	0.3750	0.433	0.60	0.3750	0.343	0.425	0.010	Aluminium	A2 s/s
SE0507.04-040-T	0.4062	0.437	0.59	0.4062	0.375	0.425	0.010	Aluminium	A2 s/s
SE0507.04-043-T	0.4375	0.515	0.68	0.4375	0.406	0.503	0.010	Aluminium	A2 s/s
SE0507.04-046-T	0.4687	0.512	0.71	0.4687	0.437	0.504	0.010	Aluminium	A2 s/s

EXPANSION SEALING PLUGS

Expansion Sealing Plugs

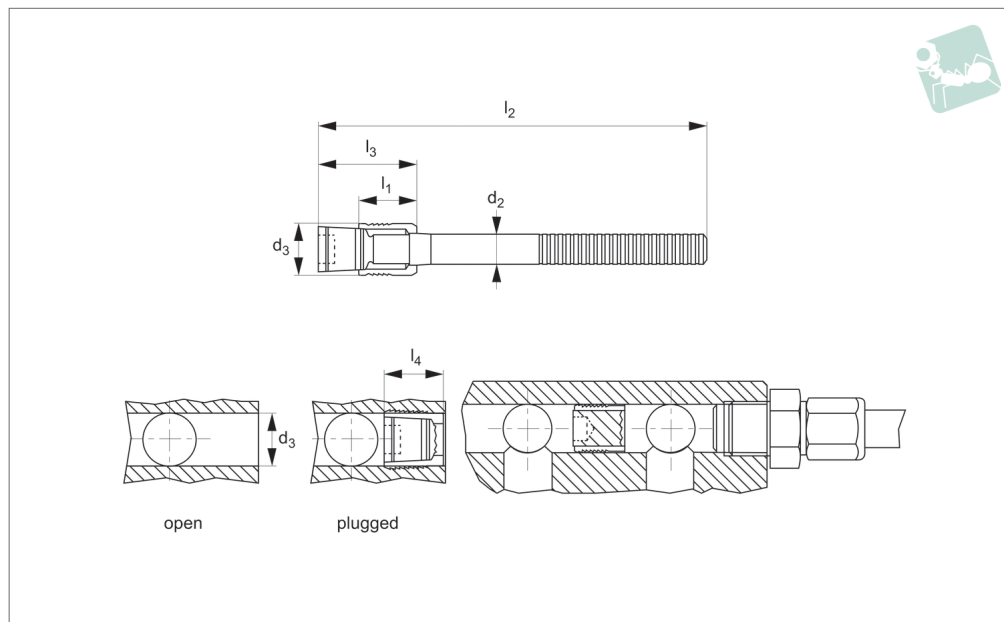
Pull Expansion Sealing Plugs



EXPANSION SEALING PLUGS



SE0520



Material

Sleeve: case-hardened steel, black oxide finish.
Mandrel: heat-treated steel, black oxide finish.

Technical Notes

These high pressure sealing plugs are used to blank off externally drilled holes for air and gas.
No need for tapping, reaming, machining

of O-ring grooves or the use of tapes or sealants.
Short version - with short mandrel.
Long version - with long mandrel.

Tips

Working pressure up to 450 bar (dependent on body material and material into which installed).
Pulling on the mandrel forces the plug insert into the plug body, expanding the

body out to grip on the channel walls.
At a set pressure the mandrel then breaks off and is removed with the plug remaining firmly set inside the bore.

Important Notes

Please refer to technical pages for product installation details.

Order No.	d ₁	d ₂	d ₃ +0.12]-0.0	l ₁	l ₂	l ₃ max.	l ₄ max.	Type
SE0520.01-040-C	4.0	2.50	4.0	4.0	39	9.0	6.5	Short
SE0520.01-050-C	5.0	3.00	5.0	5.5	41	10.0	7.5	Short
SE0520.01-060-C	6.0	3.40	6.0	6.5	43	12.0	8.0	Short
SE0520.01-080-C	8.0	4.20	8.0	8.5	40	15.0	10.5	Short
SE0520.01-090-C	9.0	4.50	9.0	9.5	43	17.0	11.0	Short