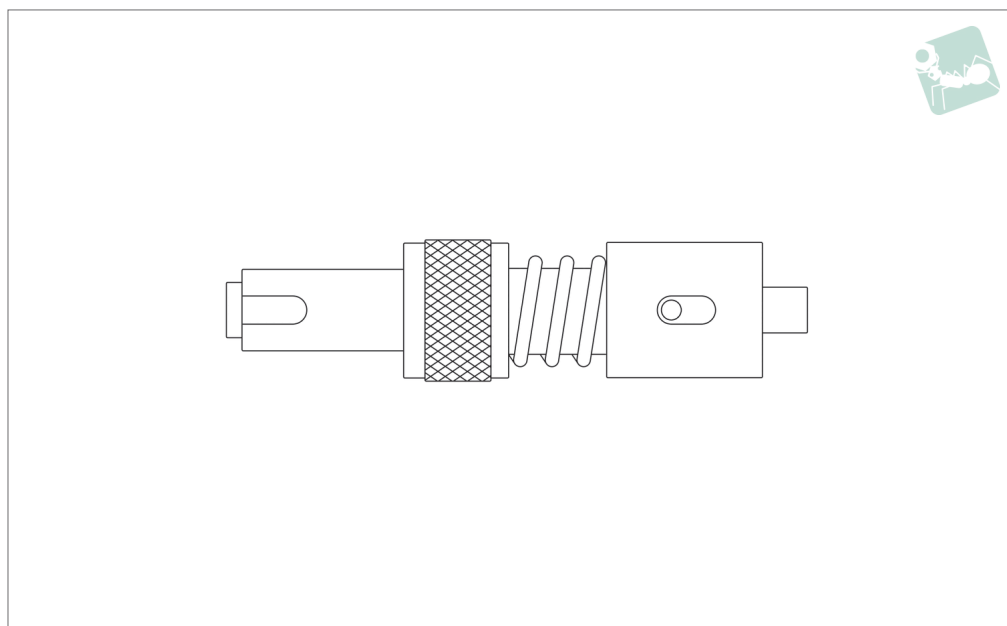




Installation Tool

for inserts TR1650/51/60/61/70/71

Installation
Tools



TR1700

INSTALLATION TOOLS

Material

Steel blackened.

Tips

For use with threaded inserts TR1650, TR1651, TR1660, TR1661, TR1670 and

TR1671.

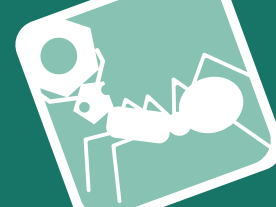
Select installation tool of corresponding insert internal thread d_1 AND external thread d_2 .

If in doubt refer to data tables of insert

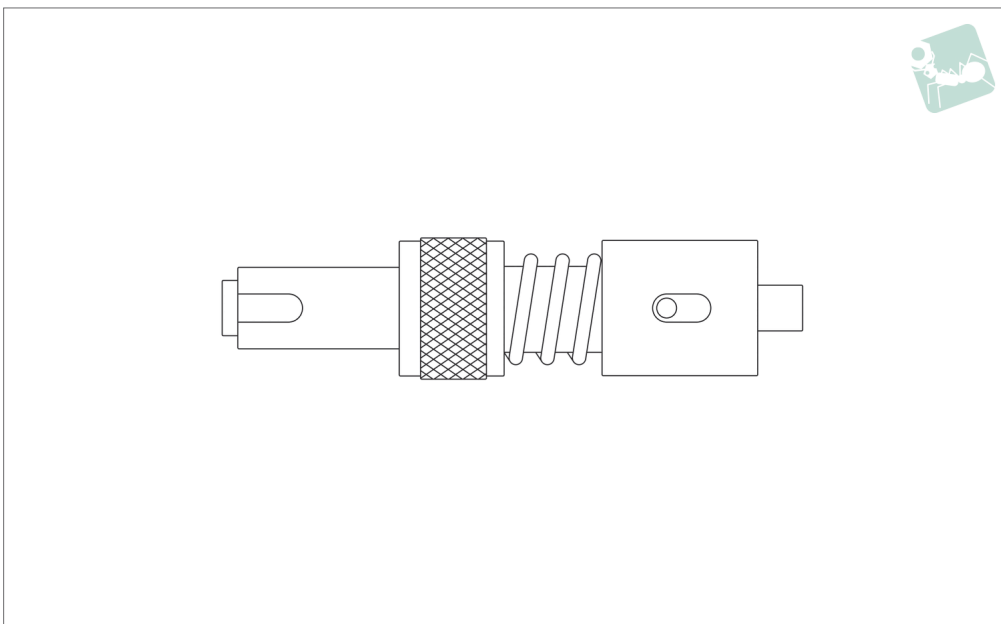
where „inst. tool ref“ is stated.

Important Notes
All dimensions in imperial.

Order No.	For insert of internal thread = d_1	For insert of external thread = d_2
TR1700.0830	2 - 56	8 - 32
TR1700.0840	4 - 40	10 - 32
TR1700.0850	6 - 32	12 - 28
TR1700.0860	8 - 32	1/4 - 28†



TR1702



Material

Steel blackened.

Tips

For use with threaded inserts TR1652, TR1653, TR1662, TR1663. TR1672 and TR1673.

Select installation tool of corresponding insert internal thread d_1 AND external thread d_2 .

If in doubt refer to data tables of insert where correct "Inst. tool ref" is stated.

Important Notes

All dimensions in imperial.

Order No.	For insert of internal thread = d_1	For insert of external thread = d_2
TR1702.0210	10 - 24	5/16 - 18
TR1702.0211	10 - 32	5/16 - 18
TR1702.0220	1/4 - 20	3/8 - 16
TR1702.0221	1/4 - 28	3/8 - 16
TR1702.0230	5/16 - 18	7/16 - 14
TR1702.0231	5/16 - 24	7/16 - 14
TR1702.0240	3/8 - 16	1/2 - 13
TR1702.0241	3/8 - 24	1/2 - 13
TR1702.0250	7/16 - 14	9/16 - 12
TR1702.0251	7/16 - 20	9/16 - 12
TR1702.0260	1/2 - 13	5/8 - 11
TR1702.0261	1/2 - 20	5/8 - 11

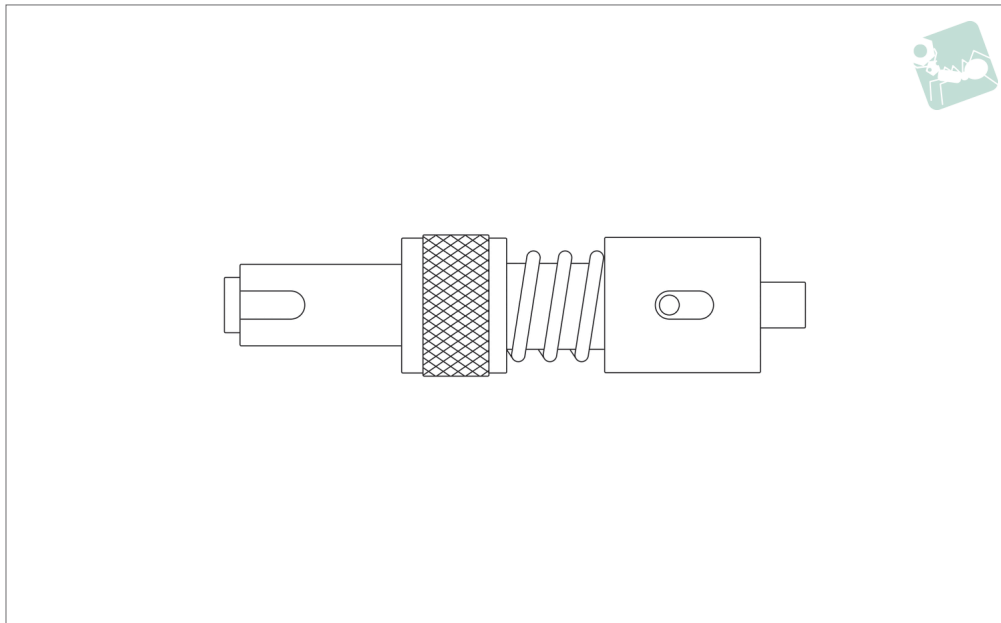


Installation Tool

for inserts TR1654/55/64/65/75/76



Installation
Tools



TR1705

INSTALLATION TOOLS

Material

Steel blackened.

Tips

For use with threaded inserts TR1654, TR1655, TR1664, TR1665, TR1675 and

TR1676.

Select installation tool of corresponding insert internal thread d_1 AND external thread d_2 .

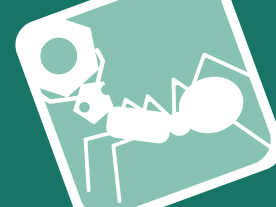
If in doubt refer to data tables of insert

where correct "Inst. tool ref" is stated.

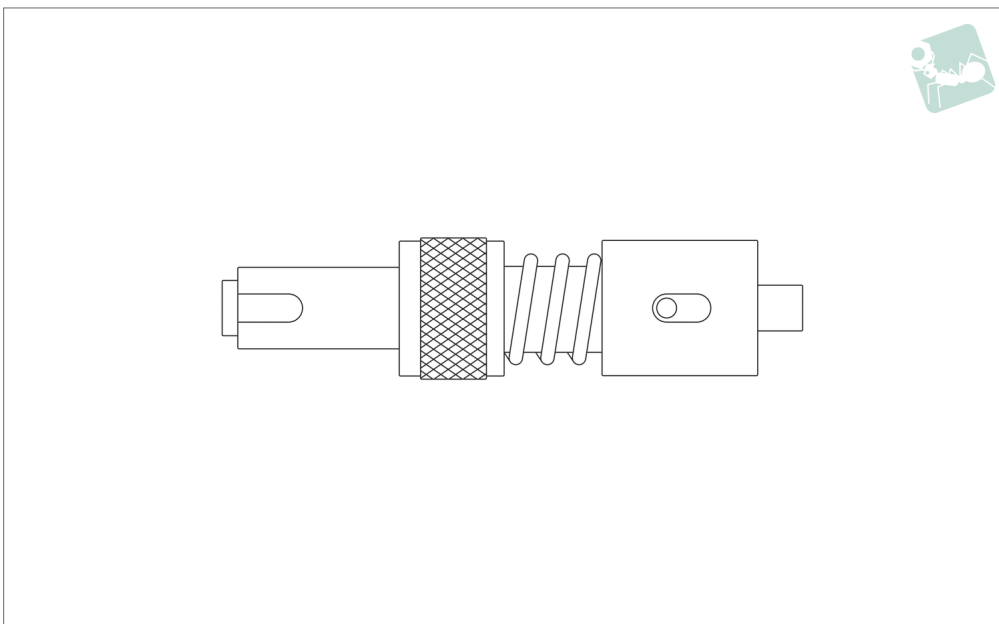
Important Notes

All dimensions in imperial.

Order No.	For insert of internal thread = d_1	For insert of external thread = d_2
TR1705.0000	8 - 32	5/16 - 18
TR1705.0010	10 - 24	3/8 - 16
TR1705.0011	10 - 32	3/8 - 16
TR1705.0020	1/4 - 20	7/16 - 14
TR1705.0021	1/4 - 28	7/16 - 14
TR1705.0030	5/16 - 18	1/2 - 13
TR1705.0031	5/16 - 24	1/2 - 13
TR1705.0040	3/8 - 16	9/16 - 12
TR1705.0041	3/8 - 24	9/16 - 12
TR1705.0050	7/16 - 14	5/8 - 11
TR1705.0051	7/16 - 20	5/8 - 11
TR1705.0060	1/2 - 13	11/16 - 11 NS
TR1705.0061	1/2 - 20	11/16 - 11 NS
TR1705.0070	9/16 - 14	13/16 - 16
TR1705.0071	9/16 - 20	13/16 - 16
TR1705.0080	5/8 - 11	7/8 - 14
TR1705.0081	5/8 - 18	7/8 - 14
TR1705.0090	3/4 - 10	1-1/8 - 12
TR1705.0091	3/4 - 16	1-1/8 - 12
TR1705.0100	7/8 - 9	1-1/4 - 12
TR1705.0101	7/8 - 14	1-1/4 - 12
TR1705.0110	1" - 8	1-3/8 - 12
TR1705.0111	1" - 12	1-3/8 - 12



TR1706



Material

Steel blackened.

Tips

For use with threaded inserts TR1656, TR1657, TR1666 and TR1667.

Select installation tool of corresponding insert internal thread d_1 AND external thread d_2 .

If in doubt refer to data tables of insert where correct "Inst. tool ref" is stated.

Important Notes

All dimensions in imperial.

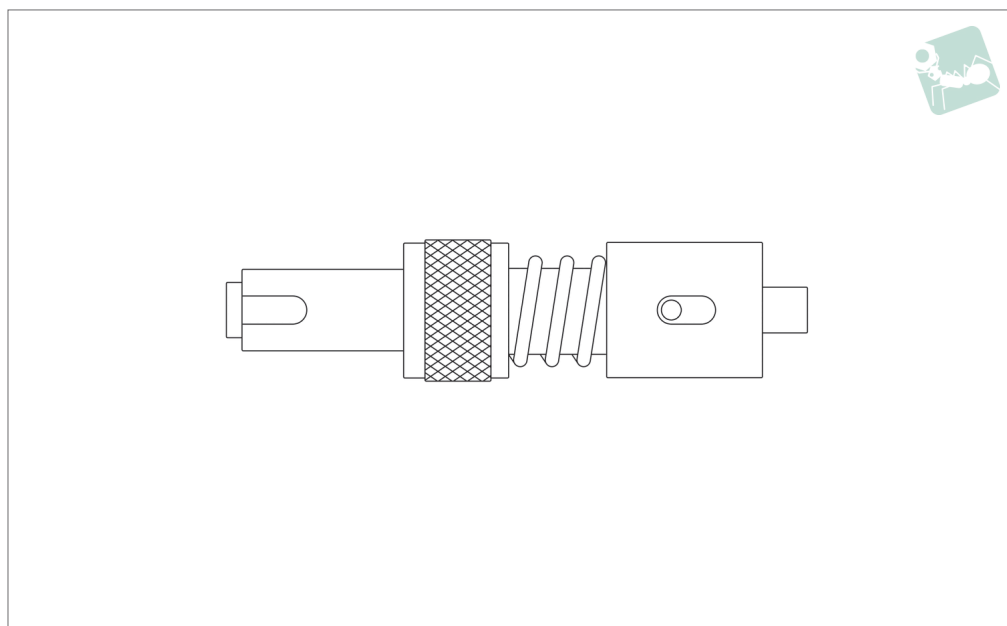
Order No.	For insert of internal thread = d_1	For insert of external thread = d_2
TR1706.0330	10 - 24	7/16 - 14
TR1706.0331	10 - 32	7/16 - 14
TR1706.0340	1/4 - 20	1/2 - 13
TR1706.0341	1/4 - 28	1/2 - 13
TR1706.0350	5/16 - 18	9/16 - 12
TR1706.0351	5/16 - 24	9/16 - 12
TR1706.0360	3/8 - 16	5/8 - 11
TR1706.0361	3/8 - 24	5/8 - 11
TR1706.0370	7/16 - 14	11/16 - 11 NS
TR1706.0371	7/16 - 20	11/16 - 11 NS
TR1706.0380	1/2 - 13	13/16 - 16
TR1706.0381	1/2 - 20	13/16 - 16
TR1706.0390	9/16 - 12	7/8 - 14
TR1706.0391	9/16 - 18	7/8 - 14
TR1706.0400	5/8 - 11	1 - 12
TR1706.0401	5/8 - 18	1 - 12
TR1706.0410	3/4 - 10	1-1/4 - 12
TR1706.0411	3/4 - 16	1-1/4 - 12
TR1706.0420	7/8 - 9	1-3/8 - 12
TR1706.0421	7/8 - 14	1-3/8 - 12
TR1706.0430	1 - 8	1-1/2 - 12
TR1706.0431	1 - 12	1-1/2 - 12



Installation Tool

for inserts TR1600/01/06/07

Installation
Tools



TR1710

INSTALLATION TOOLS

Material

Steel blackened.

TR1601, TR1606 and TR1607.

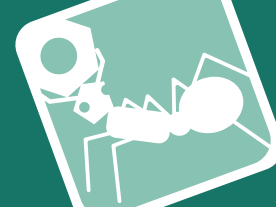
Select installation tool of corresponding insert internal thread d_1 AND external thread d_2 .

If in doubt refer to data tables of insert where correct "Inst. tool ref" is stated.

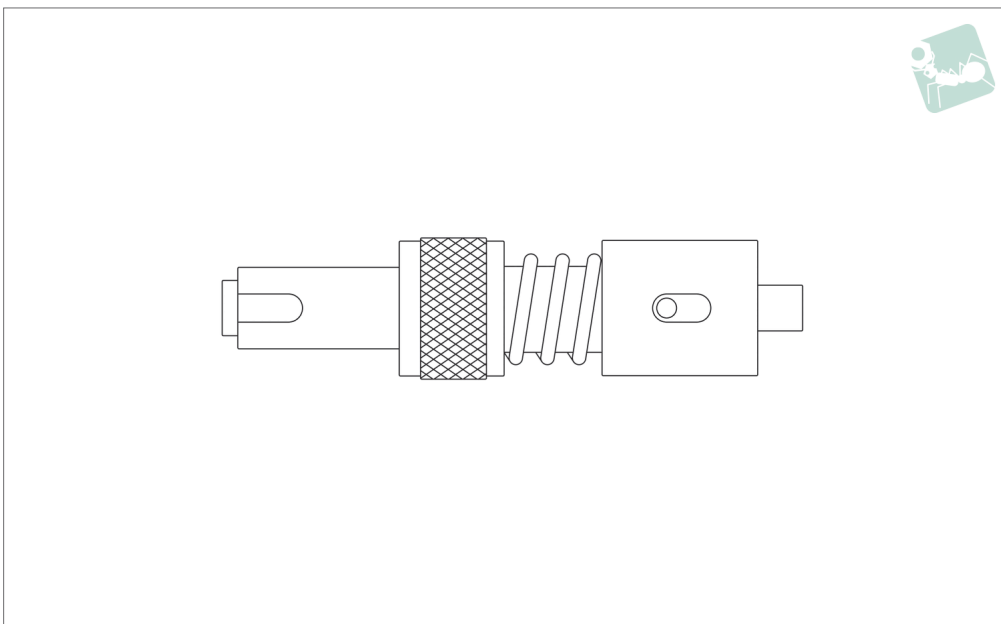
Tips

For use with threaded inserts TR1600,

Order No.	For insert of internal thread = d_1	For insert of external thread = d_2
TR1710.0820	M 2 x 0,4	M 4 x 0,7
TR1710.0830	M2,5 x 0,45	M 4,5 x 0,75
TR1710.0840	M 3 x 0,5	M 5 x 0,8
TR1710.0860	M 4 x 0,7	M 6 x 0,75



TR1712



Material

Steel blackened.

TR1603, TR1608 and TR1609.

Select installation tool of corresponding insert internal thread d_1 AND external thread d_2 .

If in doubt refer to data tables of insert where correct "Inst. tool ref" is stated.

Tips

For use with threaded inserts TR1602.

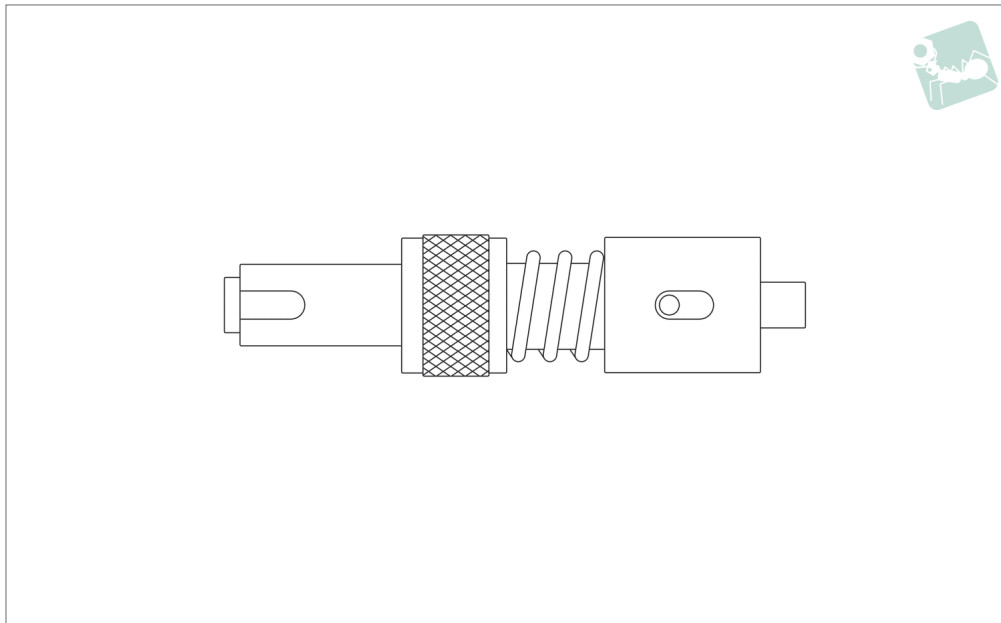
Order No.	For insert of internal thread = d_1	For insert of external thread = d_2
TR1712.0510	M 5 x 0,8/M 5 x 0,5	M 8 x 1,25
TR1712.0520	M 6 x 1,0/M 6 x 0,75	M10 x 1,25
TR1712.0530	M 8 x 1,25/M8 1,0	M 12 x 1,25
TR1712.0550	M10 x 1,5/M10 x 1,25	M14 x 1,5
TR1712.0560	M12 x 1,75/M 12 x 1,25	M16 x 1,5



Installation Tool

for inserts TR1604/05/10/11

Installation
Tools



TR1715

INSTALLATION TOOLS

Material

Steel blackened.

TR1605, TR1610 and TR1611.

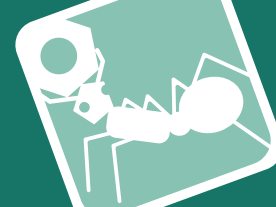
Select installation tool of corresponding insert internal thread d_1 AND external thread d_2 .

If in doubt refer to data tables of insert where correct "Inst. tool ref" is stated.

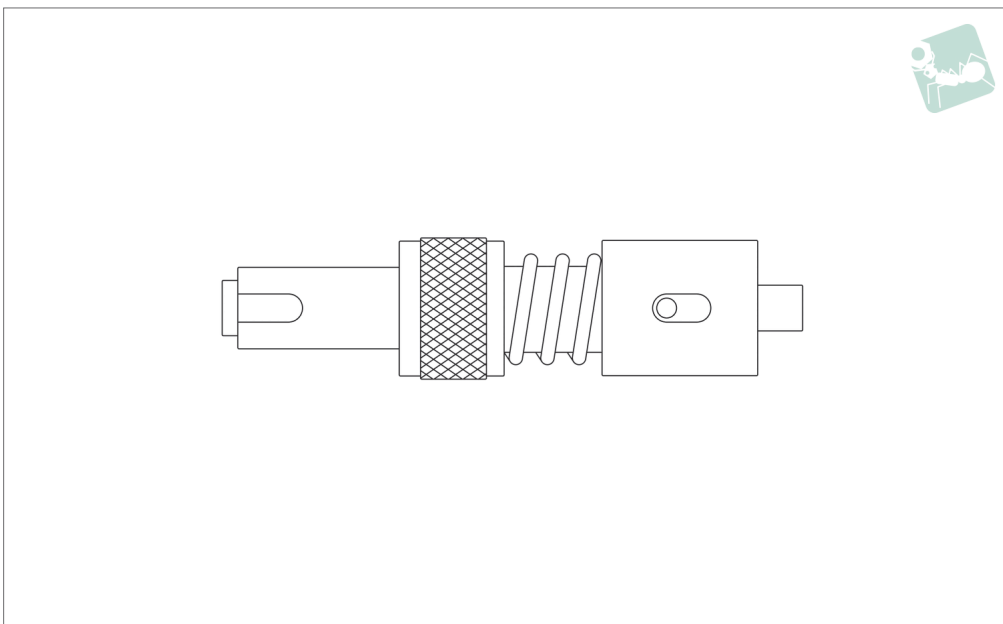
Tips

For use with threaded inserts TR1604,

Order No.	For insert of internal thread = d_1	For insert of external thread = d_2
TR1715.0630	M 4 x 1,25	M 8 x 1,25
TR1715.0640	M 5 x 0,8	M 10 x 1,25
TR1715.0650	M 6 x 1,0	M 12 x 1,25
TR1715.0660	M 8 x 1,25/M8 x 1,0	M 14 x 1,5
TR1715.0670	M 10 x 1,5/M 10 x 1,25	M 16 x 1,5
TR1715.0690	M 12 x 1,75/M 12 x 1,25	M 18 x 1,5
TR1715.0700	M 14 x 2,0/M 14 x 1,5	M 20 x 1,5
TR1715.0710	M 16 x 2,0/M 16 x 1,5	M 22 x 1,
TR1715.0720	M 18 x 1,5	M 24 x 2,0
TR1715.0730	M 20 x 2,5/M 20 x 1,5	M 30 x 2,0
TR1715.0740	M 22 x 1,5	M 32 x 2,0
TR1715.0750	M24 x 3,0/M 24 x 2,0	M 33 x 2,0



TR1720



Material

Steel blackened.

Tips

For use with threaded insert TR1680 and TR1681.

Select installation tool of corresponding insert internal thread d_1 AND external thread d_2 .

If in doubt refer to data tables of insert where correct "Inst. tool ref" is stated.

Important Notes

All dimensions in imperial.

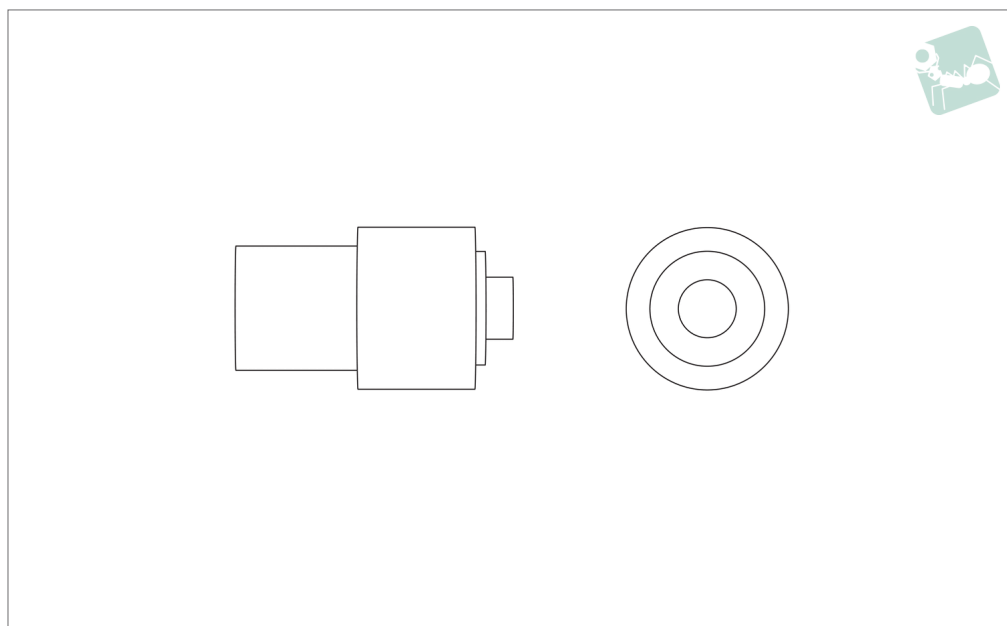
Order No.	For insert of internal thread = d_1	For insert of external thread = d_2
TR1720.0830	2 - 56	1/4 - 28†
TR1720.0840	4 - 40	5/16 - 24
TR1720.0850	6 - 32	3/8 - 24
TR1720.0860	8 - 32	3/8 - 24



Installation Tool for inserts TR1685 and TR1686



Installation Tools



TR1725

INSTALLATION TOOLS

Material

Steel blackened.

Tips

For use with threaded insert TR1685 and TR1686.

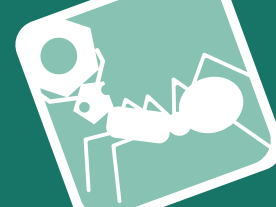
Select installation tool of corresponding insert internal thread d_1 AND external thread d_2 .

If in doubt refer to data tables of insert where correct "Inst. tool ref" is stated.

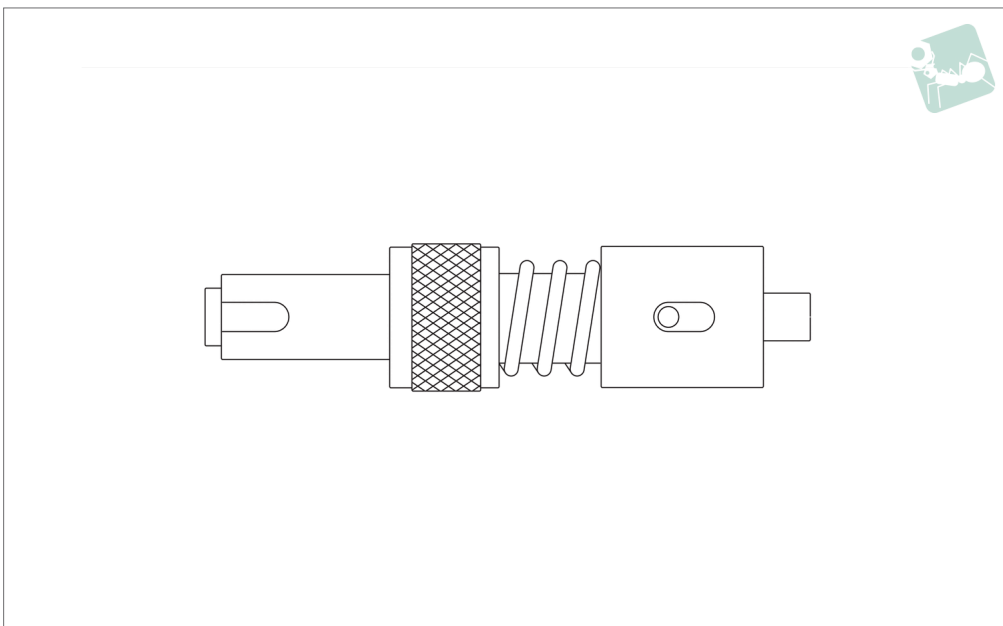
Important Notes

All dimensions in imperial.

Order No.	For insert of internal thread = d_1	For insert of external thread = d_2
TR1725.0010	10 - 24/ 10 - 32	7/16 - 20
TR1725.0020	1/4 - 20/ 1/4 - 28	1/2 - 20
TR1725.0030	5/16 - 18/ 5/16 - 24	5/8 - 18
TR1725.0040	3/8 - 16/ 3/8 - 24	3/4 - 16
TR1725.0050	7/16 - 14/ 7/16 - 20	7/8 - 14
TR1725.0060	1/2 - 13/ 1/2 - 20	1" - 12



TR1730



Material

Steel, blackened.

Tips

For use with inch solid inserts TR1698

and TR1696.

Select installation tool of corresponding insert external thread d_1 . If in doubt refer to data tables of insert where correct „Inst.

tool ref.“ is stated.

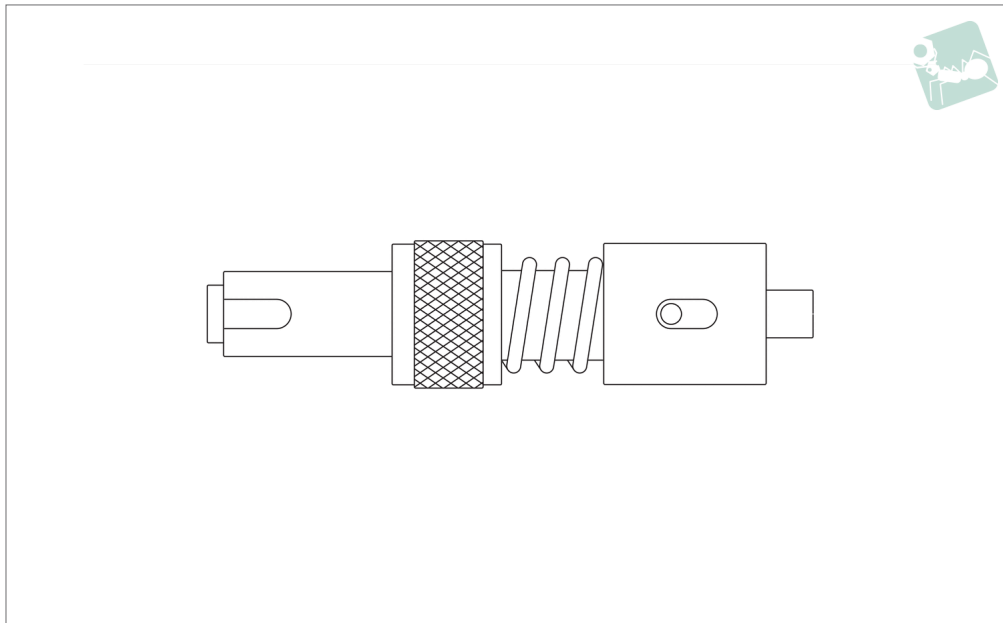
Order No.	For insert of external thread = d_1	Thread type d_1
TR1730.0010	5/16"-18	UNC
TR1730.0020	3/8"-16	UNC
TR1730.0030	7/16"-14	UNC
TR1730.0040	1/2"-13	UNC
TR1730.0050	9/16"-12	UNC
TR1730.0060	5/8"-11	UNC
TR1730.0065	11/16"-11NS	UNF
TR1730.0070	3/4"-16	UNF
TR1730.0075	13/16"-16	UNF
TR1730.0080	7/8"-14	UNF
TR1730.0090	1"-12	UNF
TR1730.0100	1-1/8"-12	UNF
TR1730.0110	1-1/4"-12	UNF
TR1730.0120	1-3/8"-12	UNF



Installation Tool - Solid - Metric

for threaded inserts TR1692 & TR1690

Installation
Tools



TR1732

INSTALLATION TOOLS

Material

Steel, blackened.

Tips

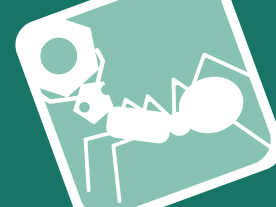
For use with metric solid inserts TR1692

and TR1690.

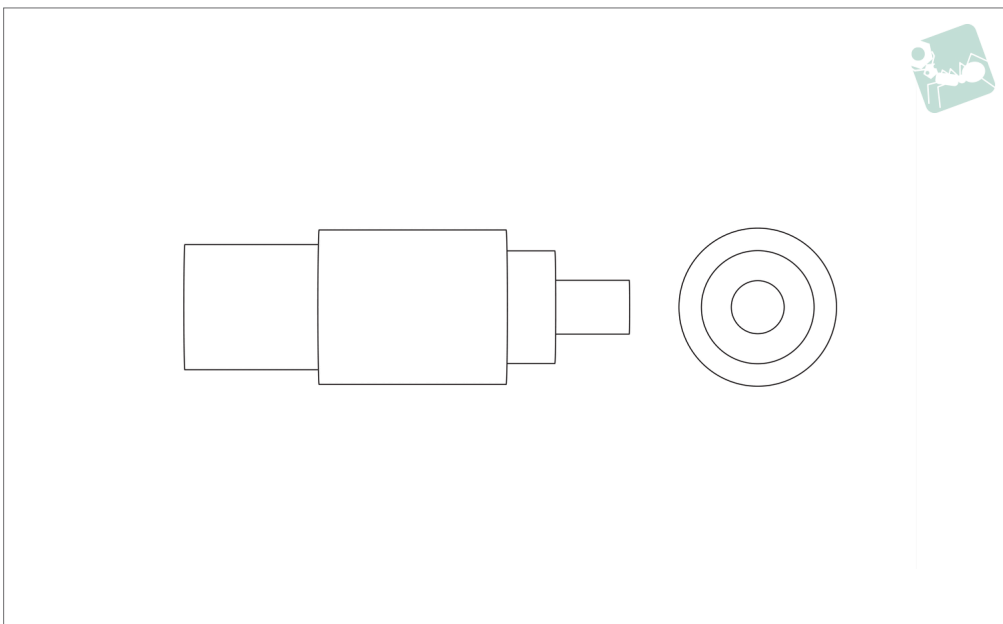
Select installation tool of corresponding insert external thread d_1 . If in doubt refer to data tables of insert where correct „Inst.

tool ref.“ is stated.

Order No.	For insert of external thread = d_1	Thread type d_1
TR1732.0210	M 8x1,25	Coarse
TR1732.0220	M10x1,25	Fine
TR1732.0230	M12x1,25	Fine
TR1732.0240	M14x1,50	Fine
TR1732.0250	M16x1,50	Fine
TR1732.0260	M18x1,50	Fine
TR1732.0270	M20x1,50	Fine
TR1732.0280	M22x1,50	Fine
TR1732.0290	M24x1,50	Fine
TR1732.0300	M30x2,00	Non-Std
TR1732.0310	M32x2,00	Non-Std
TR1732.0320	M33x2,00	Non-Std



TR1740



Material
Steel, blackened.

Tips
For use with inch thinwall threaded

inserts TR1560 and TR1570. Select installation tool of corresponding insert internal thread d_1 and external thread d_2 . If in doubt refer to data tables of insert where

correct „Inst. tool ref.“ is stated.

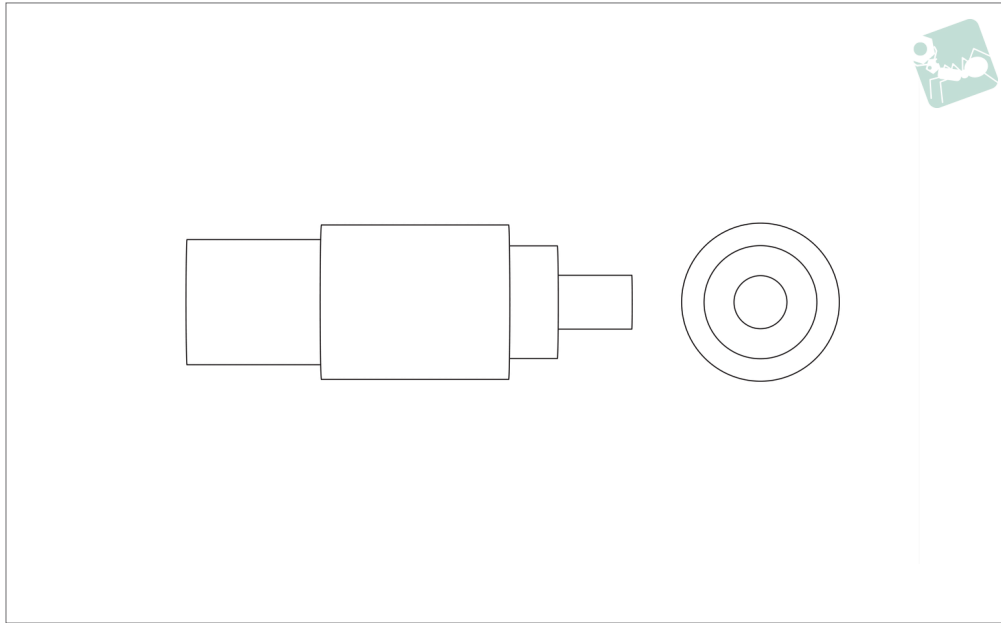
Order No.	For insert of internal thread = d_1	For insert of external thread = d_2
TR1740.0210	10-24/10"-32	5/16"-18
TR1740.0220	1/4"-20 / 1/4"-28	3/8"-16
TR1740.0230	5/16"-18/ 5/16"-24	7/16"-14
TR1740.0240	3/8"-16/ 3/8"-24	1/2"-13
TR1740.0250	7/16"-14/ 7/16"-20	9/16"-12
TR1740.0260	1/2"-13/ 1/2"-20	5/8"-11



Installation Tool - Inch - Heavy Duty

for threaded inserts TR1565 & TR1575

Installation
Tools



TR1745

INSTALLATION TOOLS

Material

Steel, blackened.

inserts TR1565 and TR1575.

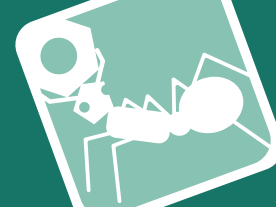
Select installation tool of corresponding insert internal thread d_1 and external thread d_2 . If in doubt refer to data tables of

insert where correct „Inst. tool ref.“ is stated.

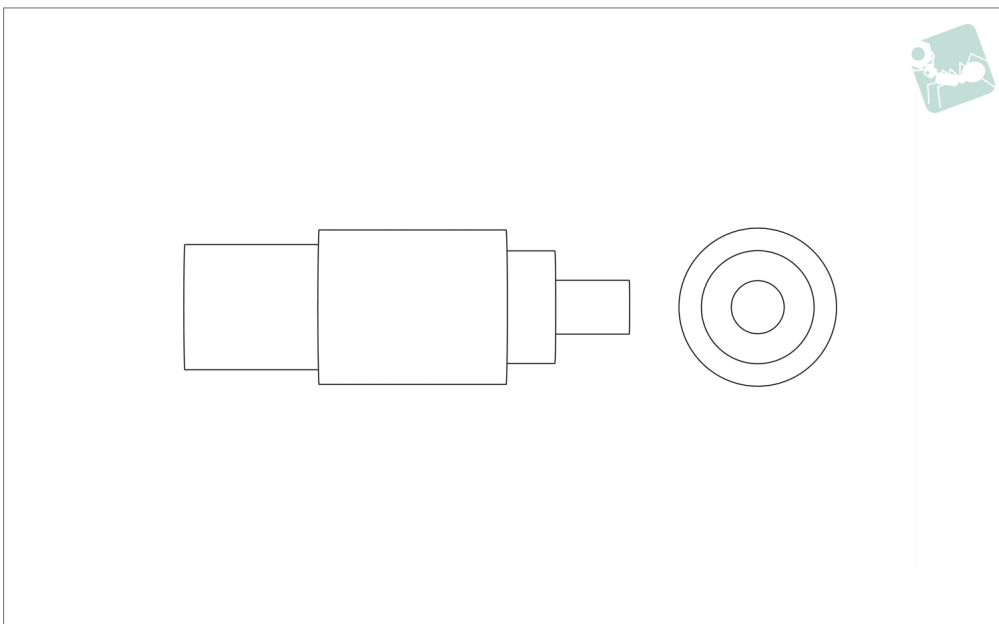
Tips

For use with inch heavy duty threaded

Order No.	For insert of internal thread = d_1	For insert of external thread = d_2
TR1745.0000	8-32	5/16"-18
TR1745.0010	10-24/ 10-32	3/8"-16
TR1745.0020	1/4"-20/ 1/4"-28	7/16"-14
TR1745.0030	5/16"-18/ 5/16"-24	1/2"-13
TR1745.0040	3/8"-16/ 3/8"-24	9/16"-12
TR1745.0050	7/16"-14/ 7/16"-20	5/8"-11
TR1745.0060	1/2"-13/ 1/2"-20	3/4"-16
TR1745.0070	9/16"-12/ 9/16"-18	3/4"-16
TR1745.0080	5/8"-11/ 5/8"-18	7/8"-14
TR1745.0090	3/4"-10/ 3/4"-16	1-1/8"-12
TR1745.0100	7/8"-9/ 7/8"-14	1-1/4"-12
TR1745.0110	1"-8/ 1"-12/ 1"-14	1-3/8"-12
TR1745.0130	1-1/8"-7/ 1-1/8"-12	1-1/2"-12
TR1745.0140	1-1/4"-7/ 1-1/4"-12	1-5/8"-12
TR1745.0160	1-1/2"-6/ 1-1/2"-12	1-7/8"-12



TR1746



Material

Steel, blackened.

Tips

For use with metric extra heavy duty

threaded inserts TR1566 and TR1576.

Select installation tool of corresponding insert internal thread d_1 and external thread d_2 . If in doubt refer to data tables of

solid insert where correct „Inst. tool ref.“ is stated.

Order No.	For insert of internal thread = d_1	For insert of external thread = d_2
TR1746.0310	6-32	5/16"-18
TR1746.0320	8-32	3/8"-16
TR1746.0330	10-24/ 10-32	7/16"-14
TR1746.0340	1/4"-20/ 1/4"-28	1/2"-13
TR1746.0350	5/16"-18/ 5/16"-24	9/16"-12
TR1746.0360	3/8"-16/ 3/8"-24	5/8"-11
TR1746.0370	7/16"-14/ 7/16"-20	3/4"-16
TR1746.0380	1/2"-13/ 1/2"-20	7/8"-14
TR1746.0390	9/16"-12/ 9/16"-18	7/8"-14
TR1746.0400	5/8"-11/ 5/8"-18	1"-12
TR1746.0410	3/4"-10/ 3/4"-16	1-1/4"-12
TR1746.0420	7/8"-9/ 7/8"-14	1-3/8"-12
TR1746.0430	1"-8/ 1"-12	1-1/2"-12

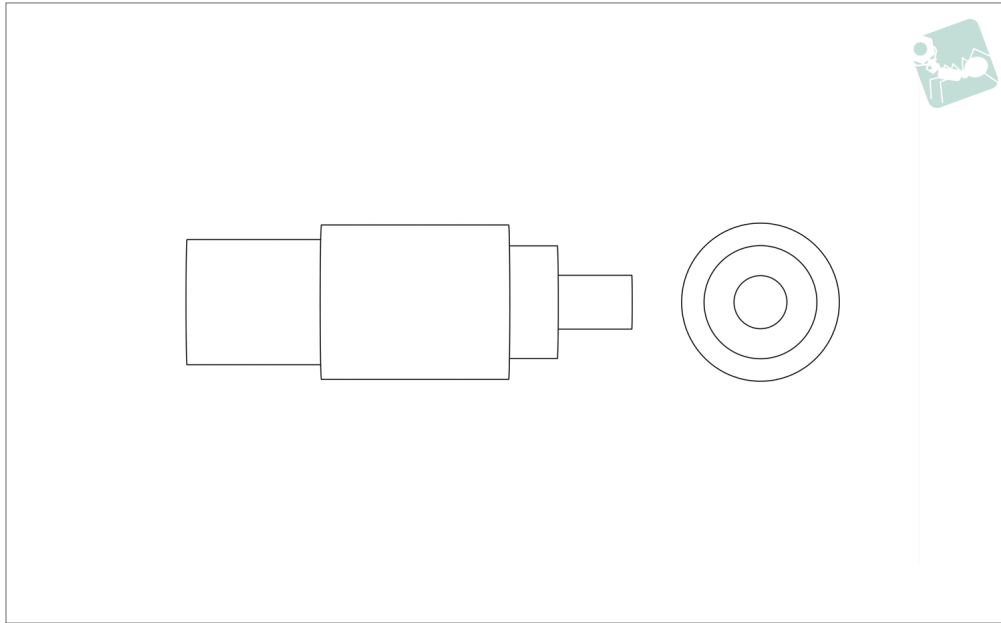


Installation Tool - Metric - Thinwall

for threaded inserts TR1510 & TR1520



Installation
Tools



TR1750

INSTALLATION TOOLS

Material

Steel, blackened.

inserts TR1510 and TR1520.

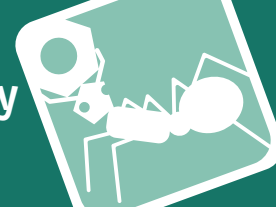
Select installation tool of corresponding insert internal thread d_1 and external thread d_2 . If in doubt refer to data tables of

insert where correct „Inst. tool ref.“ is stated.

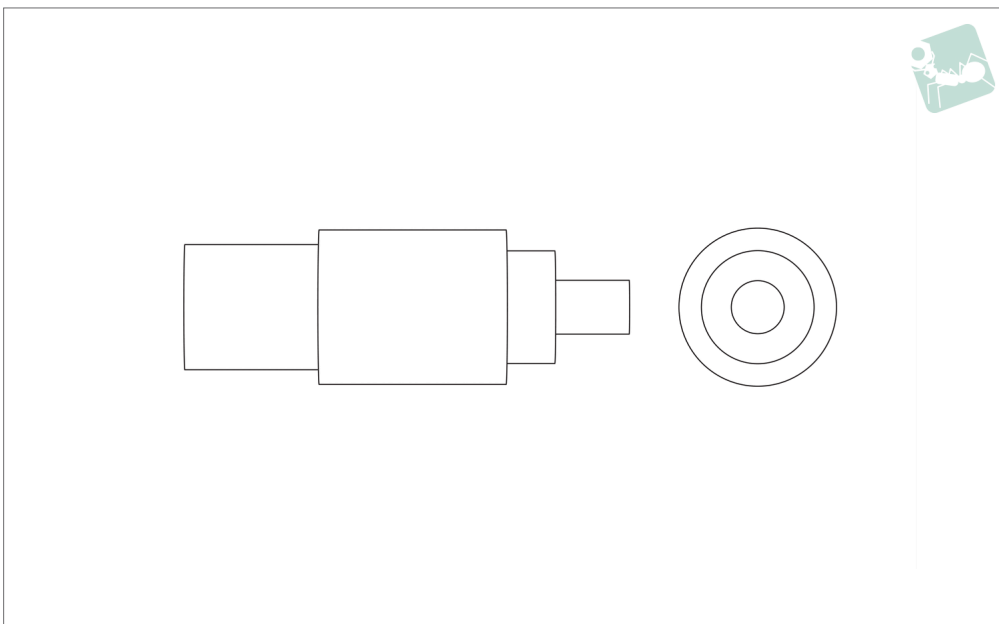
Tips

For use with metric thinwall threaded

Order No.	For insert of internal thread = d_1	For insert of external thread = d_2
TR1750.0510	M 5x0,75	M 8x1,25
TR1750.0520	M 6x1,00	M10x1,25
TR1750.0530	M 8x1,25/ M 8x1,00	M12x1,25
TR1750.0550	M10x1,50/ M10x1,25	M14x1,50
TR1750.0560	M12x1,75/ M12x1,25	M16x1,50



TR1755



Material

Steel, blackened.

Tips

For use with metric heavy duty threaded

inserts TR1515 and TR1525.

Select installation tool of corresponding insert internal thread d_1 and external thread d_2 . If in doubt refer to data tables of

insert where correct „Inst. tool ref.“ is stated.

Order No.	For insert of internal thread = d_1	For insert of external thread = d_2
TR1755.0630	M 4x0,70	M 8x1,25
TR1755.0640	M 5x0,75	M10x1,30
TR1755.0650	M 6x1,00	M12x1,25
TR1755.0660	M 8x1,25/ M 8x1,00	M14x1,50
TR1755.0670	M10x1,50/ M10x1,25	M16x1,50
TR1755.0690	M12x1,75/ M12x1,25	M18x1,50
TR1755.0700	M14x2,00/ M14x1,50	M20x1,50
TR1755.0710	M16x2,00/ M16x1,50	M22x1,50
TR1755.0720	M18x1,50	M24x1,50
TR1755.0730	M20x2,50/ M20x1,50	M30x2,00
TR1755.0740	M22x1,50	M32x2,00
TR1755.0750	M24x3,00/ M24x2,00	M33x2,00

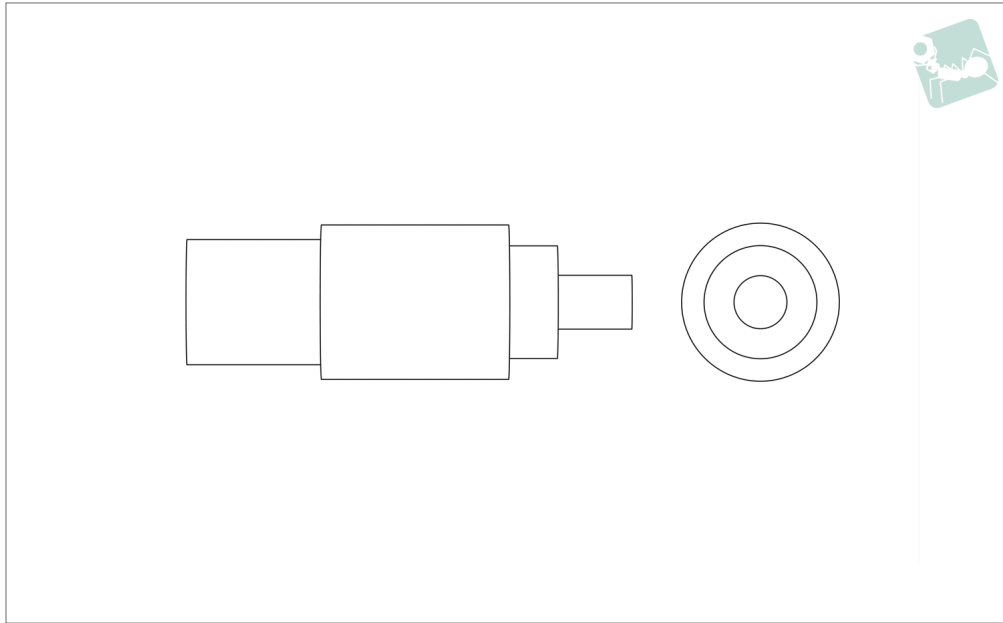


Installation Tool - Inch - Heavy Duty

for threaded inserts TR1535 & TR1530



Installation
Tools



TR1760

INSTALLATION TOOLS

Material

Steel, blackened.

inserts TR1535 and TR1530.

Select installation tool of corresponding insert internal thread d_1 and external thread d_2 . If in doubt refer to data tables of

insert where correct „Inst. tool ref.“ is stated.

Tips

For use with inch heavy duty threaded

Order No.	For insert of internal thread = d_1	For insert of external thread = d_2
TR1760.0430	M 6x1,00	3/8"-16
TR1760.0440	M 8x1,25	1/2"-13
TR1760.0450	M10x1,50	5/8"-11
TR1760.0470	M12x1,75	3/4"-16
TR1760.0480	M14x2,00	7/8"-14
TR1760.0490	M16x2,00	1"-12