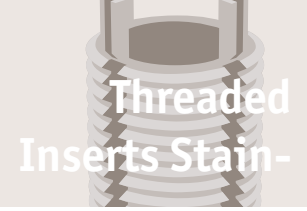
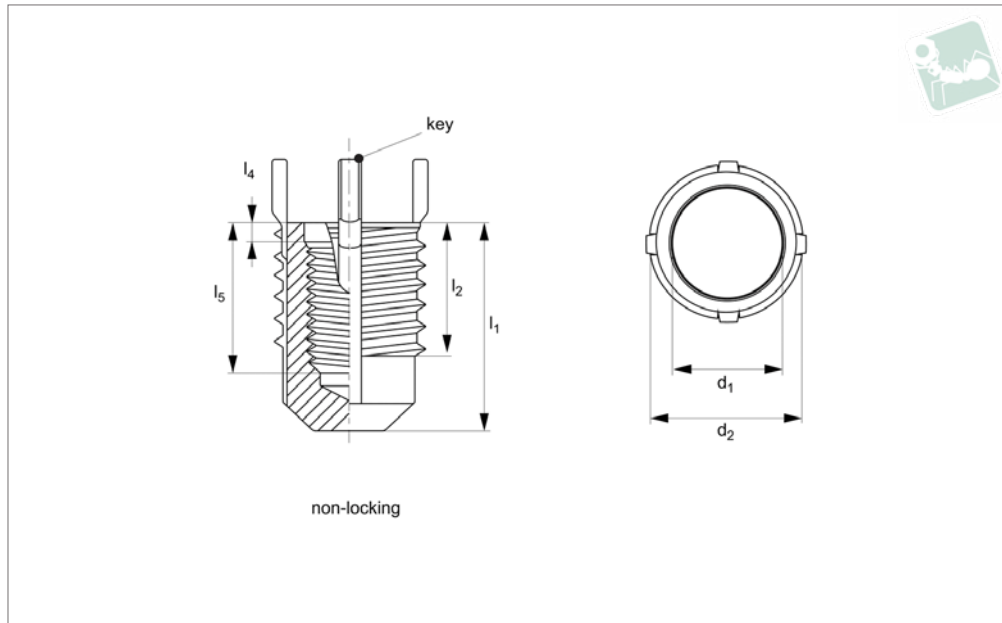




Blind Threaded Insert - Thinwall - 303 stainless steel - non-locking



Threaded
Inserts Stain-



TR1672

THREADED INSERTS STAINLESS

Material

Inserts - A303 CRES.
Keys - 302 CRES.
Passivated. Dry film lubrication on self-locking inserts only.

Technical Notes

All dimensions in inches.
Internal threads: to SAE AS8879.
General tolerances -
+/- 0,010 unless specified.

Tap drill hole tolerances -
0,234 to 0,500 = +0,004/-0,001
0,500 and over = +0,005/-0,001
NL = Non-Locking type.

Tips

Order installation tool separately, as identified by „Inst. Tool ref.“ in table.

Important Notes

Four locking keys on internal threads 5/16

and over. Two locking keys on internal threads smaller than 5/16.
Installation (Inst.) drill size, counter sink, thread tap and thread depth as specified in table.
Removal (Rem.) drill size and drill depth as specified in table.
Perform to standards: MIL-I-45914A

Order No.	Type	d ₁ tol. 3B	Thre ad type d ₁	d ₂ (mod.) class 2A	Thre ad type d ₂	Inst. tap drill size	l ₁	l ₂	l ₄ c'bore depth	l ₅	Inst. c'sink hole size +0.010 -0.000	Inst. thread tap depth min.	Inst. thread tap size class 2B	Inst. tool ref. TR1702	Removal drill depth	Remo val drill size
TR1672.83321	NL	10-24	UNC	5/ 16-18	UNC	,272	,50	,31	,07	,31	,323	,37	5/16-18	.0210	5/32	7/32
TR1672.83521	NL	10-32	UNF	5/ 16-18	UNC	,272	,50	,31	,07	,31	,323	,37	5/16-18	.0210	5/32	7/32
TR1672.83322	NL	1/4-20	UNC	3/8- 16	UNC	,332	,62	,37	,07	,37	,385	,43	3/8-16	.0220	3/16	9/32
TR1672.83522	NL	1/4-28	UNF	3/8- 16	UNC	,332	,62	,37	,07	,37	,385	,43	3/8-16	.0220	3/16	9/32
TR1672.83323	NL	5/16-18	UNC	7/ 16-14	UNC	,397	,75	,43	,07	,43	,447	,50	7/16-14	.0230	3/16	11/32
TR1672.83523	NL	5/16-18	UNF	7/ 16-14	UNC	,397	,75	,43	,07	,43	,447	,50	7/16-14	.0230	3/16	11/32
TR1672.83324	NL	3/8-16	UNC	1/2- 13	UNC	,453	,81	,50	,07	,50	,510	,56	1/2-13	.0240	3/16	13/32
TR1672.83524	NL	3/8-24	UNF	1/2- 13	UNC	,453	,81	,50	,07	,50	,510	,56	1/2-13	.0240	3/16	13/32
TR1672.83325	NL	7/16-14	UNC	9/ 16-12	UNC	,516	,87	,56	,07	,56	,572	,62	9/16-12	.0250	3/16	15/32



Order No.	Type	d ₁ tol. 3B	Thre ad type d ₁	d ₂ (mod.) class 2A	Thre ad type d ₂	Inst. tap drill size	l ₁	l ₂	l ₄ c'bore depth	l ₅	Inst. c'sink hole size +0.010 -0.000	Inst. thread tap depth min.	Inst. thread tap size class 2B	Inst. tool ref. TR1702	Removal drill depth	Remo val drill size
TR1672.83525	NL	7/ 16- 20	UNF	9/ 16- 12	UNC	,516	,87	,56	,07	,56	,572	,62	9/16-12	.0250	3/16	15/32
TR1672.83326	NL	1/2- 13	UNC	5/8- 11	UNC	,578	1.06	,62	,07	,62	,635	,68	5/8-11	.0260	3/16	17/32
TR1672.83526	NL	1/2- 20	UNF	5/8- 11	UNC	,578	1.06	,62	,07	,62	,635	,68	5/8-11	.0260	3/16	17/32