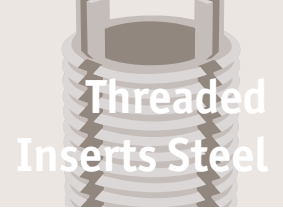




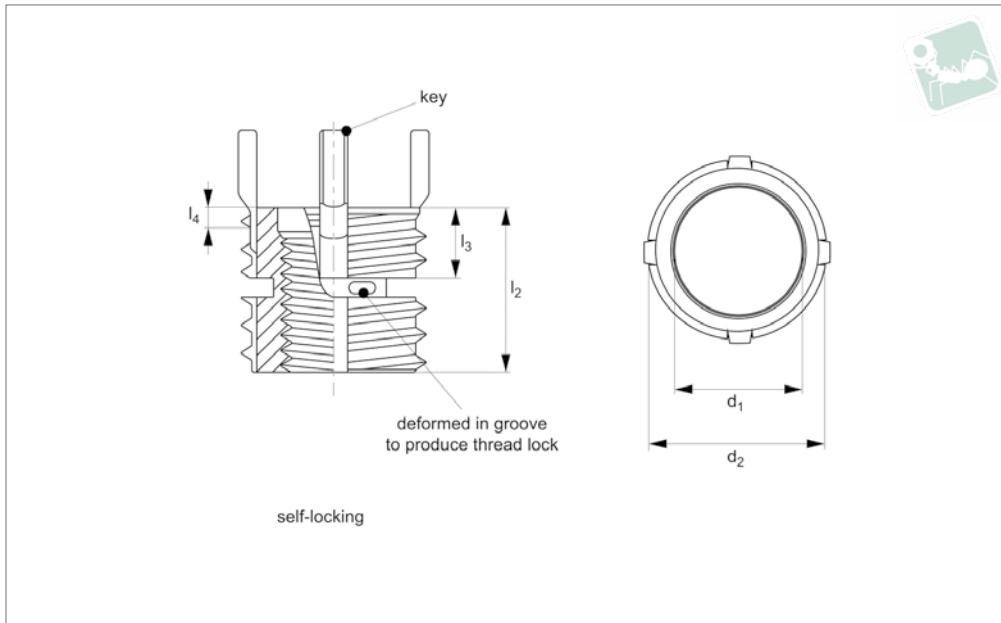
# Threaded Insert MS/NAS - Extra H

4140 steel - self-locking - MS/NAS grade



**TR1667**

THREADED INSERTS STEEL



### Material

Inserts - 4140 alloy steel (160 KSI Min).  
 Keys - 302 CRES.  
 Cadmium plate (QQ-P-416 Type II, Cl. 2).  
 Dry film lubrication on self-locking inserts only.

### Technical Notes

All dimensions in inches.  
 Internal threads: to SAE AS8879.  
 General tolerances -

+/- 0,010 unless specified.

Tap drill hole tolerances -  
 0,234 to 0,500 = +0,004/-0,001  
 0,500 and over = +0,005/-0,001

**SL** = Self-Locking type, deliberate deformity in thread produces self-affect once installed (see technical diagram).

### Tips

Order installation tool separately, as identified by „Inst. Tool ref.“ in table.

### Important Notes

Four locking keys on internal threads 1/4 and over. Two locking keys on internal threads smaller than 1/4.  
 Installation (Inst.) drill size, counter sink, thread tap and thread depth as specified in table.  
 Removal (Rem.) drill size and drill depth as specified in table.  
 Perform to standards: MIL-I-45914A (MS51832)

Order No.	Type	d <sub>1</sub>	Thread type d <sub>1</sub>	d <sub>2</sub>	Thread type d <sub>2</sub>	l <sub>1</sub>	l <sub>3</sub>
TR1667.81333	SL	10-24	UNC	7/16-14	UNC	,312	,22
TR1667.81533	SL	10-32	UNF	7/16-14	UNC	,312	,22
TR1667.81334	SL	1/4-20	UNC	1/2-13	UNC	,375	,22
TR1667.81534	SL	1/4-28	UNF	1/2-13	UNC	,375	,22
TR1667.81335	SL	5/16-18	UNC	9/16-12	UNC	,437	,22
TR1667.81535	SL	5/16-24	UNF	9/16-12	UNC	,437	,22
TR1667.81336	SL	3/8-16	UNC	5/8-11	UNC	,500	,25
TR1667.81536	SL	3/8-24	UNF	5/8-11	UNC	,500	,25
TR1667.81337	SL	7/16-14	UNC	11/16-11NS	UNS	,625	,28
TR1667.81537	SL	7/16-20	UNF	11/16-11NS	UNS	,625	,28
TR1667.81338	SL	1/2-13	UNC	13/16-16	UN	,688	,28
TR1667.81538	SL	1/2-20	UNF	13/16-16	UN	,688	,28
TR1667.81339	SL	9/16-12	UNC	7/8-14	UNF	,812	,32
TR1667.81539	SL	9/16-18	UNF	7/8-14	UNF	,812	,32
TR1667.81340	SL	5/8-11	UNC	1-12	UNF	,875	,33
TR1667.81540	SL	5/8-18	UNF	1-12	UNF	,875	,33
TR1667.81341	SL	3/4-10	UNC	1-1/4-12	UNF	1.250	,49
TR1667.81541	SL	3/4-16	UNF	1-1/4-12	UNF	1.250	,49
TR1667.81342	SL	7/8-9	UNC	1-3/8-12	UNF	1.375	,49
TR1667.81542	SL	7/8-14	UNF	1-3/8-12	UNF	1.375	,49
TR1667.81343	SL	1-8	UNC	1-1/2-12	UNF	1.500	,55
TR1667.81543	SL	1-12	UNF	1-1/2-12	UNF	1.500	,55

Order No.	l <sub>4</sub> c'bore depth	Inst. c'sink hole size	Inst. tap drill size	Inst. thread tap depth	Inst. thread tap size	Inst. tool ref. TR1706	Removal drill size	Removal drill depth
TR1667.81333	,07	,447	,397	,37	7/16-14	.0330	11/32	3/16



Order No.	I <sub>4</sub> c'bore depth	Inst. c'sink hole size	Inst. tap drill size	Inst. thread tap depth	Inst. thread tap size	Inst. tool ref. TR1706	Removal drill size	Removal drill depth
TR1667.81533	,07	,447	,397	,37	7/16-14	.0331	11/32	3/16
TR1667.81334	,07	,510	,453	,44	1/2-13	.0340	13/32	3/16
TR1667.81534	,07	,510	,453	,44	1/2-13	.0341	13/32	3/16
TR1667.81335	,07	,572	,516	,50	9/16-12	.0350	15/32	3/16
TR1667.81535	,07	,572	,516	,50	9/16-12	.0351	15/32	3/16
TR1667.81336	,07	,635	,578	,56	5/8-11	.0360	17/32	3/16
TR1667.81536	,07	,635	,578	,56	5/8-11	.0361	17/32	3/16
TR1667.81337	,10	,700	,641	,68	11/16-11NS	.0370	19/32	3/16
TR1667.81537	,10	,700	,641	,68	11/16-11NS	.0371	19/32	3/16
TR1667.81338	,10	,822	,766	,75	13/16-16	.0380	23/32	3/16
TR1667.81538	,10	,822	,766	,75	13/16-16	.0381	23/32	3/16
TR1667.81339	,10	,885	,828	,94	7/8-14	.0390	25/32	3/16
TR1667.81539	,10	,885	,828	,94	7/8-14	.0391	25/32	3/16
TR1667.81340	,10	1.020	,937	1.00	1-12	.0400	27/32	5/16
TR1667.81540	,10	1.020	,937	1.00	1-12	.0401	27/32	5/16
TR1667.81341	,10	1.270	1.187	1.44	1-1/4-12	.0410	1-3/32	5/16
TR1667.81541	,10	1.270	1.187	1.44	1-1/4-12	.0411	1-3/32	5/16
TR1667.81342	,10	1.395	1.312	1.56	1-3/8-12	.0420	1-7/32	5/16
TR1667.81542	,10	1.395	1.312	1.56	1-3/8-12	.0421	1-7/32	5/16
TR1667.81343	,10	1.520	1.437	1.68	1-1/2-12	.0430	1-11/32	5/16
TR1667.81543	,10	1.520	1.437	1.68	1-1/2-12	.0431	1-11/32	5/16