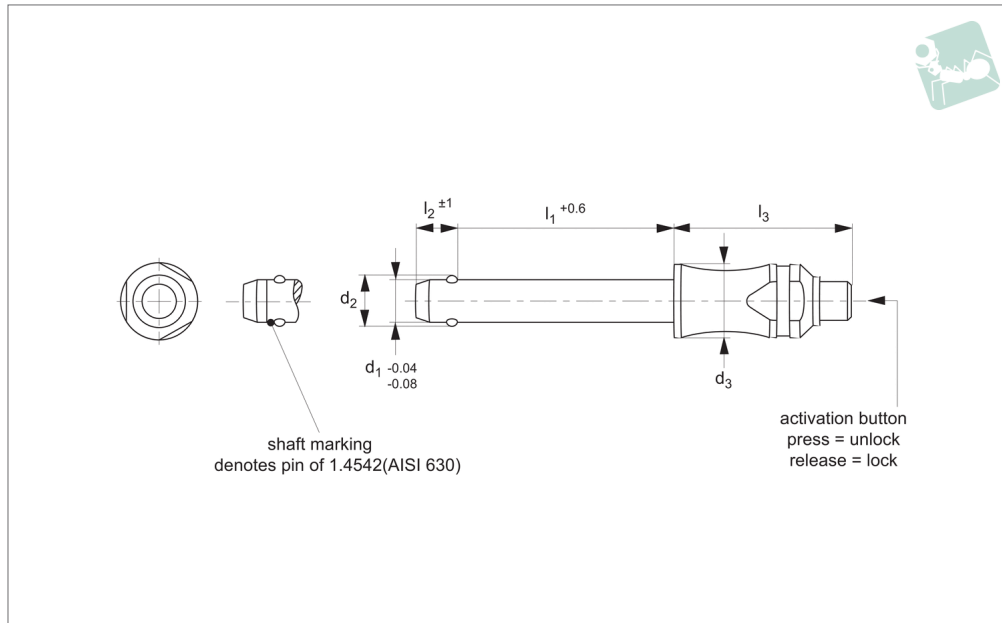




Ball Lock Pins - Contoured Handle

self-locking - single acting - stainless 1.4305

Quick Release Pins



QR1604

QUICK RELEASE PINS

Material

Pin: stainless steel 1.4305 (AISI 303).
Spring: stainless steel.

Technical Notes

Pressing = unlocking.
Releasing = locking.
Single piece contoured design for limited space applications.

Temperature resistance up to 250°C.

For quick fastening and locking of frequently repeated connections.
For suitable lanyards see part no. LA1066.
W0970 and .W0974 only. Easy install locating bushes available see part no. LA1310.

Tips

Single piece design, no danger of parts coming away from pin - ideal for applications with F.O.B (Foreign Object Body) issues.

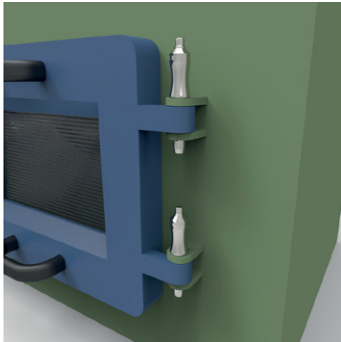
Important Notes

*Shearing resistance similar to DIN 50141.

Order No.	Material	d ₁	d ₂	d ₃	l ₁	l ₂	l ₃	Location hole dia. tol. H11	Shearing resistance, double kN min.	Weight g
QR1604.M05-010-S	Stainless 1.4305	5	5.5	10	10	6.0	26.2	5	14	10
QR1604.M05-015-S	Stainless 1.4305	5	5.5	10	15	6.0	26.2	5	14	11
QR1604.M05-020-S	Stainless 1.4305	5	5.5	10	20	6.0	26.2	5	14	12
QR1604.M05-025-S	Stainless 1.4305	5	5.5	10	25	6.0	26.2	5	14	13
QR1604.M05-030-S	Stainless 1.4305	5	5.5	10	30	6.0	26.2	5	14	13
QR1604.M06-010-S	Stainless 1.4305	6	7.0	10	10	7.0	26.2	6	21	11
QR1604.M06-015-S	Stainless 1.4305	6	7.0	10	15	7.0	26.2	6	21	12
QR1604.M06-020-S	Stainless 1.4305	6	7.0	10	20	7.0	26.2	6	21	13
QR1604.M06-025-S	Stainless 1.4305	6	7.0	10	25	7.0	26.2	6	21	14
QR1604.M06-030-S	Stainless 1.4305	6	7.0	10	30	7.0	26.2	6	21	15
QR1604.M06-035-S	Stainless 1.4305	6	7.0	10	35	7.0	26.2	6	21	16
QR1604.M06-040-S	Stainless 1.4305	6	7.0	10	40	7.0	26.2	6	21	17
QR1604.M06-045-S	Stainless 1.4305	6	7.0	10	45	7.0	26.2	6	21	18
QR1604.M06-050-S	Stainless 1.4305	6	7.0	10	50	7.0	26.2	6	21	19
QR1604.M08-020-S	Stainless 1.4305	8	9.6	14	20	8.2	33.1	8	38	33
QR1604.M08-025-S	Stainless 1.4305	8	9.6	14	25	8.2	33.1	8	38	34
QR1604.M08-030-S	Stainless 1.4305	8	9.6	14	30	8.2	33.1	8	38	36
QR1604.M08-035-S	Stainless 1.4305	8	9.6	14	35	8.2	33.1	8	38	38
QR1604.M08-040-S	Stainless 1.4305	8	9.6	14	40	8.2	33.1	8	38	40
QR1604.M08-045-S	Stainless 1.4305	8	9.6	14	45	8.2	33.1	8	38	42
QR1604.M08-050-S	Stainless 1.4305	8	9.6	14	50	8.2	33.1	8	38	44
QR1604.M10-020-S	Stainless 1.4305	10	12.0	14	20	9.6	33.1	10	60	39
QR1604.M10-025-S	Stainless 1.4305	10	12.0	14	25	9.6	33.1	10	60	42
QR1604.M10-030-S	Stainless 1.4305	10	12.0	14	30	9.6	33.1	10	60	45
QR1604.M10-035-S	Stainless 1.4305	10	12.0	14	35	9.6	33.1	10	60	48
QR1604.M10-040-S	Stainless 1.4305	10	12.0	14	40	9.6	33.1	10	60	51
QR1604.M10-045-S	Stainless 1.4305	10	12.0	14	45	9.6	33.1	10	60	54
QR1604.M10-050-S	Stainless 1.4305	10	12.0	14	50	9.6	33.1	10	60	57



Order No.	Material	d ₁	d ₂	d ₃	l ₁	l ₂	l ₃	Location hole dia. tol. H11	Shearing resistance, double kN min.	Weight g
QR1604.M10-060-S	Stainless 1.4305	10	12.0	14	60	9.6	33.1	10	60	63
QR1604.M12-025-S	Stainless 1.4305	12	14.5	20	25	10.6	39.5	12	87	84
QR1604.M12-030-S	Stainless 1.4305	12	14.5	20	30	10.6	39.5	12	87	88
QR1604.M12-035-S	Stainless 1.4305	12	14.5	20	35	10.6	39.5	12	87	92
QR1604.M12-040-S	Stainless 1.4305	12	14.5	20	40	10.6	39.5	12	87	96
QR1604.M12-045-S	Stainless 1.4305	12	14.5	20	45	10.6	39.5	12	87	101
QR1604.M12-050-S	Stainless 1.4305	12	14.5	20	50	10.6	39.5	12	87	105
QR1604.M12-060-S	Stainless 1.4305	12	14.5	20	60	10.6	39.5	12	87	113
QR1604.M12-070-S	Stainless 1.4305	12	14.5	20	70	10.6	39.5	12	87	122
QR1604.M12-080-S	Stainless 1.4305	12	14.5	20	80	10.6	39.5	12	87	130
QR1604.M16-030-S	Stainless 1.4305	16	19.0	20	30	14.0	39.5	16	155	120
QR1604.M16-035-S	Stainless 1.4305	16	19.0	20	35	14.0	39.5	16	155	127
QR1604.M16-040-S	Stainless 1.4305	16	19.0	20	40	14.0	39.5	16	155	135
QR1604.M16-045-S	Stainless 1.4305	16	19.0	20	45	14.0	39.5	16	155	143
QR1604.M16-050-S	Stainless 1.4305	16	19.0	20	50	14.0	39.5	16	155	150
QR1604.M16-060-S	Stainless 1.4305	16	19.0	20	60	14.0	39.5	16	155	166
QR1604.M16-070-S	Stainless 1.4305	16	19.0	20	70	14.0	39.5	16	155	181
QR1604.M16-080-S	Stainless 1.4305	16	19.0	20	80	14.0	39.5	16	155	196
QR1604.M20-060-S	Stainless 1.4305	20	25.0	28	60	20.5	49.9	20	244	322
QR1604.M20-080-S	Stainless 1.4305	20	25.0	28	80	20.5	49.9	20	244	370
QR1604.M20-100-S	Stainless 1.4305	20	25.0	28	100	20.5	49.9	20	244	414
QR1604.M20-120-S	Stainless 1.4305	20	25.0	28	120	20.5	49.9	20	244	466

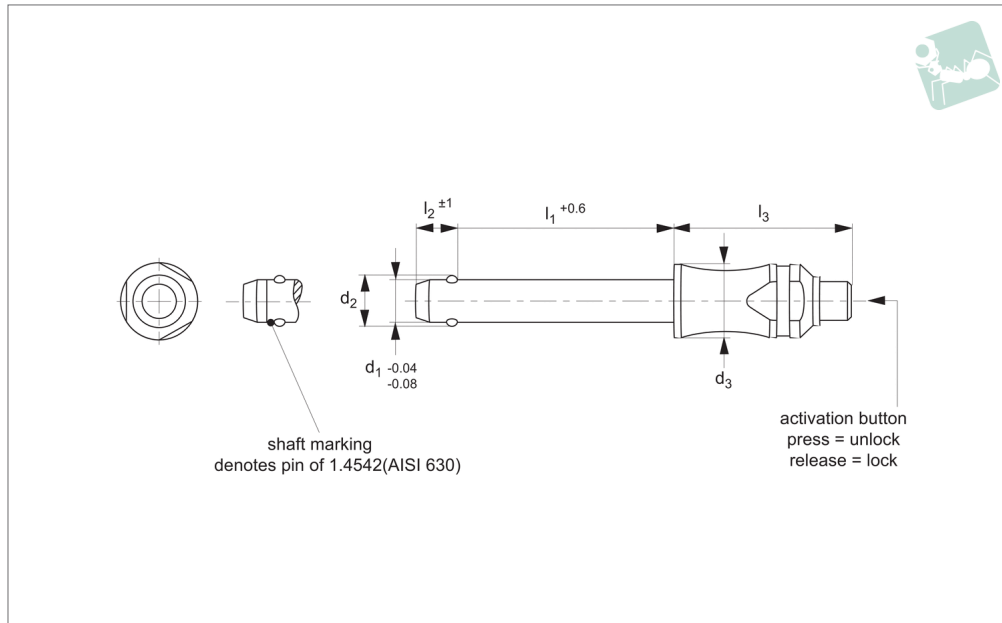




Ball Lock Pins - Contoured Handle

self-locking - single acting - stainless 1.4542

Quick Release Pins



QR1606

QUICK RELEASE PINS

Material

Pin: stainless steel 1.4542 (AISI 630), precipitation-hardened, blast finish. Offering extreme load capacity (marked at end of shaft to denote 1.4542 material). End of shaft marked for material type 1.4542.
Spring: stainless steel.

Technical Notes

Pressing = unlocking.

Releasing = locking.

Single piece contoured design for limited space applications.
Temperature resistance up to 250°C.
For quick fastening and locking of frequently repeated connections.
For suitable lanyards see part no. LA1066. W0970 and .W0974 only. Easy install locating bushes available see part no. LA1310.

Tips

Single piece design, no danger of parts coming away from pin - ideal for applications with F.O.B (Foreign Object Body) issues.

Important Notes

*Shearing resistance similar to DIN 50141.

Order No.	Material	d ₁	d ₂	d ₃	l ₁	l ₂	l ₃	Location hole dia. tol. H11	Shearing resistance, double kN min.	Weight g
QR1606.M05-010-T	Stainless 1.4542	5	5.5	10	10	6.0	26.2	5	24	10
QR1606.M05-015-T	Stainless 1.4542	5	5.5	10	15	6.0	26.2	5	24	11
QR1606.M05-020-T	Stainless 1.4542	5	5.5	10	20	6.0	26.2	5	24	12
QR1606.M05-025-T	Stainless 1.4542	5	5.5	10	25	6.0	26.2	5	24	13
QR1606.M05-030-T	Stainless 1.4542	5	5.5	10	30	6.0	26.2	5	24	13
QR1606.M06-010-T	Stainless 1.4542	6	7.0	10	10	7.0	26.2	6	35	11
QR1606.M06-015-T	Stainless 1.4542	6	7.0	10	15	7.0	26.2	6	35	12
QR1606.M06-020-T	Stainless 1.4542	6	7.0	10	20	7.0	26.2	6	35	13
QR1606.M06-025-T	Stainless 1.4542	6	7.0	10	25	7.0	26.2	6	35	14
QR1606.M06-030-T	Stainless 1.4542	6	7.0	10	30	7.0	26.2	6	35	15
QR1606.M06-035-T	Stainless 1.4542	6	7.0	10	35	7.0	26.2	6	35	16
QR1606.M06-040-T	Stainless 1.4542	6	7.0	10	40	7.0	26.2	6	35	17
QR1606.M06-045-T	Stainless 1.4542	6	7.0	10	45	7.0	26.2	6	35	18
QR1606.M06-050-T	Stainless 1.4542	6	7.0	10	50	7.0	26.2	6	35	19
QR1606.M08-020-T	Stainless 1.4542	8	9.6	14	20	8.2	33.1	8	63	33
QR1606.M08-025-T	Stainless 1.4542	8	9.6	14	25	8.2	33.1	8	63	34
QR1606.M08-030-T	Stainless 1.4542	8	9.6	14	30	8.2	33.1	8	63	36
QR1606.M08-035-T	Stainless 1.4542	8	9.6	14	35	8.2	33.1	8	63	38
QR1606.M08-040-T	Stainless 1.4542	8	9.6	14	40	8.2	33.1	8	63	40
QR1606.M08-045-T	Stainless 1.4542	8	9.6	14	45	8.2	33.1	8	63	42
QR1606.M08-050-T	Stainless 1.4542	8	9.6	14	50	8.2	33.1	8	63	44
QR1606.M10-020-T	Stainless 1.4542	10	12.0	14	20	9.6	33.1	10	100	39
QR1606.M10-025-T	Stainless 1.4542	10	12.0	14	25	9.6	33.1	10	100	42
QR1606.M10-030-T	Stainless 1.4542	10	12.0	14	30	9.6	33.1	10	100	45
QR1606.M10-035-T	Stainless 1.4542	10	12.0	14	35	9.6	33.1	10	100	48



Order No.	Material	d ₁	d ₂	d ₃	l ₁	l ₂	l ₃	Location hole dia. tol. H11	Shearing resistance, double kN min.	Weight g
QR1606.M10-040-T	Stainless 1.4542	10	12.0	14	40	9.6	33.1	10	100	51
QR1606.M10-045-T	Stainless 1.4542	10	12.0	14	45	9.6	33.1	10	100	54
QR1606.M10-050-T	Stainless 1.4542	10	12.0	14	50	9.6	33.1	10	100	57
QR1606.M10-060-T	Stainless 1.4542	10	12.0	14	60	9.6	33.1	10	100	63
QR1606.M12-025-T	Stainless 1.4542	12	14.5	20	25	10.6	39.5	12	144	84
QR1606.M12-030-T	Stainless 1.4542	12	14.5	20	30	10.6	39.5	12	144	88
QR1606.M12-035-T	Stainless 1.4542	12	14.5	20	35	10.6	39.5	12	144	92
QR1606.M12-040-T	Stainless 1.4542	12	14.5	20	40	10.6	39.5	12	144	96
QR1606.M12-045-T	Stainless 1.4542	12	14.5	20	45	10.6	39.5	12	144	101
QR1606.M12-050-T	Stainless 1.4542	12	14.5	20	50	10.6	39.5	12	144	105
QR1606.M12-060-T	Stainless 1.4542	12	14.5	20	60	10.6	39.5	12	144	113
QR1606.M12-070-T	Stainless 1.4542	12	14.5	20	70	10.6	39.5	12	144	122
QR1606.M12-080-T	Stainless 1.4542	12	14.5	20	80	10.6	39.5	12	144	130
QR1606.M16-030-T	Stainless 1.4542	16	19.0	20	30	14.0	39.5	16	257	120
QR1606.M16-035-T	Stainless 1.4542	16	19.0	20	35	14.0	39.5	16	257	127
QR1606.M16-040-T	Stainless 1.4542	16	19.0	20	40	14.0	39.5	16	257	135
QR1606.M16-045-T	Stainless 1.4542	16	19.0	20	45	14.0	39.5	16	257	143
QR1606.M16-050-T	Stainless 1.4542	16	19.0	20	50	14.0	39.5	16	257	150
QR1606.M16-060-T	Stainless 1.4542	16	19.0	20	60	14.0	39.5	16	257	166
QR1606.M16-070-T	Stainless 1.4542	16	19.0	20	70	14.0	39.5	16	257	181
QR1606.M16-080-T	Stainless 1.4542	16	19.0	20	80	14.0	39.5	16	257	196
QR1606.M20-060-T	Stainless 1.4542	20	25.0	28	60	20.5	49.9	20	403	322
QR1606.M20-080-T	Stainless 1.4542	20	25.0	28	80	20.5	49.9	20	403	370
QR1606.M20-100-T	Stainless 1.4542	20	25.0	28	100	20.5	49.9	20	403	414
QR1606.M20-120-T	Stainless 1.4542	20	25.0	28	120	20.5	49.9	20	403	466

