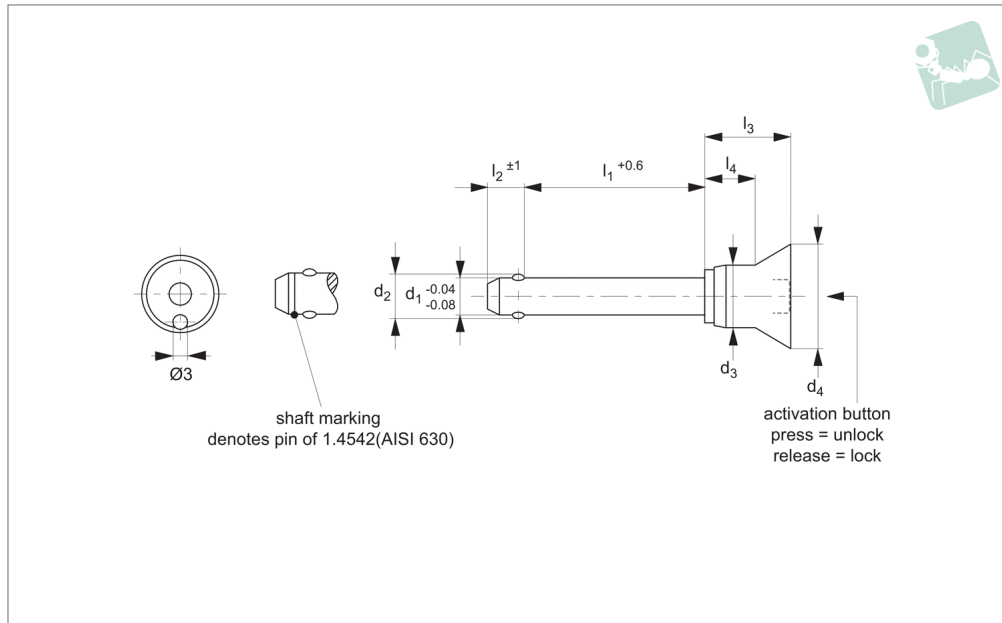




# Ball Lock Pins - Single Acting - Safety

self-locking - stainless 1.4305

## Quick Release Pins



**QR1404**

QUICK RELEASE PINS

### Material

Pin: Stainless steel 1.4305 (AISI 303).  
 Ball: stainless steel 1.3541  
 Spring: stainless steel.  
 Handle: stainless steel.

### Technical Notes

Pressing = unlocking.

Releasing = locking.

Handle shape protects against accidental actuation of ball lock pin.  
 Temperature resistant up to 250°C  
 For quick fastening and locking of frequently repeated connections.

### Tips

For lanyards & retaining cables see part no. LA1066. Easy install locating bushes available see part no. LA1310.

### Important Notes

\*Shearing resistance similar to DIN 50141.

Order No.	Material	d <sub>1</sub>	l <sub>1</sub>	d <sub>2</sub>	d <sub>3</sub>	d <sub>4</sub>	l <sub>2</sub>	l <sub>3</sub>	l <sub>4</sub>	Location hole dia. tol. H11	Shearing resistance, double min. kN	Weight g
QR1404.M05-010-S	Stainless 1.4305	5	10	5.5	10.3	20	6.0	21.0	11.6	5	14	18
QR1404.M05-015-S	Stainless 1.4305	5	15	5.5	10.3	20	6.0	21.0	11.6	5	14	19
QR1404.M05-020-S	Stainless 1.4305	5	20	5.5	10.3	20	6.0	21.0	11.6	5	14	20
QR1404.M05-025-S	Stainless 1.4305	5	25	5.5	10.3	20	6.0	21.0	11.6	5	14	21
QR1404.M05-030-S	Stainless 1.4305	5	30	5.5	10.3	20	6.0	21.0	11.6	5	14	21
QR1404.M06-010-S	Stainless 1.4305	6	10	7.0	10.3	20	7.0	21.0	11.6	6	21	19
QR1404.M06-015-S	Stainless 1.4305	6	15	7.0	10.3	20	7.0	21.0	11.6	6	21	20
QR1404.M06-020-S	Stainless 1.4305	6	20	7.0	10.3	20	7.0	21.0	11.6	6	21	22
QR1404.M06-025-S	Stainless 1.4305	6	25	7.0	10.3	20	7.0	21.0	11.6	6	21	23
QR1404.M06-030-S	Stainless 1.4305	6	30	7.0	10.3	20	7.0	21.0	11.6	6	21	24
QR1404.M06-035-S	Stainless 1.4305	6	35	7.0	10.3	20	7.0	21.0	11.6	6	21	25
QR1404.M06-040-S	Stainless 1.4305	6	40	7.0	10.3	20	7.0	21.0	11.6	6	21	26
QR1404.M06-045-S	Stainless 1.4305	6	45	7.0	10.3	20	7.0	21.0	11.6	6	21	27
QR1404.M06-050-S	Stainless 1.4305	6	50	7.0	10.3	20	7.0	21.0	11.6	6	21	28

# Quick Release Pins

# Ball Lock Pins - Single Acting - Safety

self-locking - stainless 1.4305



QUICK RELEASE PINS

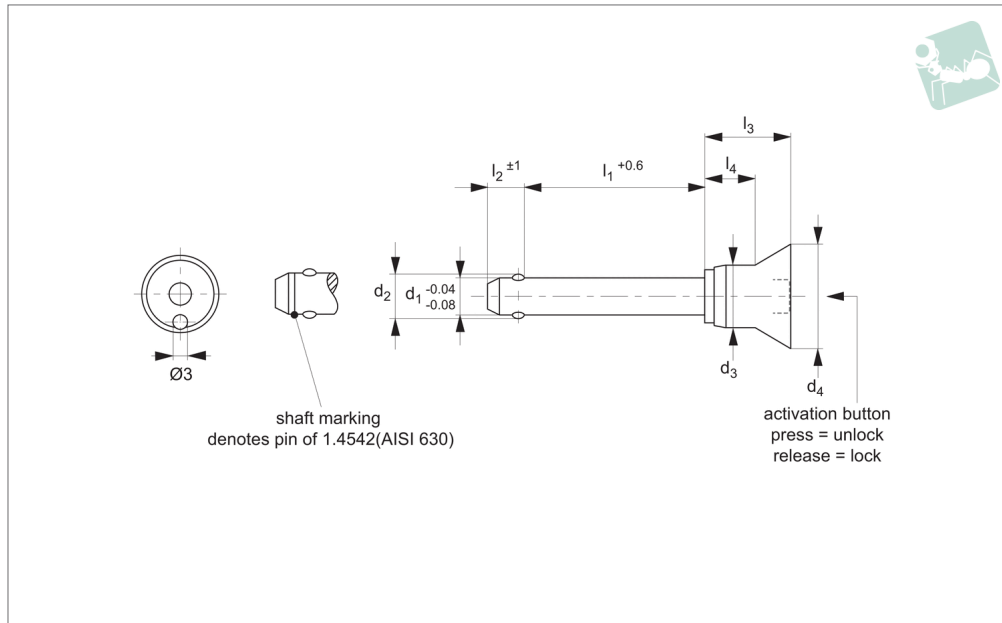
Order No.	Material	d <sub>1</sub>	l <sub>1</sub>	d <sub>2</sub>	d <sub>3</sub>	d <sub>4</sub>	l <sub>2</sub>	l <sub>3</sub>	l <sub>4</sub>	Location hole dia. tol. H11	Shearing resistance, double kN min.	Weight g
QR1404.M08-020-S	Stainless 1.4305	8	20	9.5	13.3	24	8.2	27.5	17.4	8	38	40
QR1404.M08-025-S	Stainless 1.4305	8	25	9.5	13.3	24	8.2	27.5	17.4	8	38	41
QR1404.M08-030-S	Stainless 1.4305	8	30	9.5	13.3	24	8.2	27.5	17.4	8	38	43
QR1404.M08-035-S	Stainless 1.4305	8	35	9.5	13.3	24	8.2	27.5	17.4	8	38	45
QR1404.M08-040-S	Stainless 1.4305	8	40	9.5	13.3	24	8.2	27.5	17.4	8	38	47
QR1404.M08-045-S	Stainless 1.4305	8	45	9.5	13.3	24	8.2	27.5	17.4	8	38	49
QR1404.M08-050-S	Stainless 1.4305	8	50	9.5	13.3	24	8.2	27.5	17.4	8	38	51
QR1404.M10-020-S	Stainless 1.4305	10	20	12.0	13.3	24	9.6	27.5	17.4	10	60	46
QR1404.M10-025-S	Stainless 1.4305	10	25	12.0	13.3	24	9.6	27.5	17.4	10	60	49
QR1404.M10-030-S	Stainless 1.4305	10	30	12.0	13.3	24	9.6	27.5	17.4	10	60	52
QR1404.M10-035-S	Stainless 1.4305	10	35	12.0	13.3	24	9.6	27.5	17.4	10	60	5
QR1404.M10-040-S	Stainless 1.4305	10	40	12.0	13.3	24	9.6	27.5	17.4	10	60	58
QR1404.M10-045-S	Stainless 1.4305	10	45	12.0	13.3	24	9.6	27.5	17.4	10	60	61
QR1404.M10-050-S	Stainless 1.4305	10	50	12.0	13.3	24	9.6	27.5	17.4	10	60	64
QR1404.M10-060-S	Stainless 1.4305	10	60	12.0	13.3	24	9.6	27.5	17.4	10	60	70
QR1404.M12-025-S	Stainless 1.4305	12	25	14.5	16.5	28	10.6	33.5	23.1	12	87	77
QR1404.M12-030-S	Stainless 1.4305	12	30	14.5	16.5	28	10.6	33.5	23.1	12	87	82
QR1404.M12-035-S	Stainless 1.4305	12	35	14.5	16.5	28	10.6	33.5	23.1	12	87	86
QR1404.M12-040-S	Stainless 1.4305	12	40	14.5	16.5	28	10.6	33.5	23.1	12	87	90
QR1404.M12-045-S	Stainless 1.4305	12	45	14.5	16.5	28	10.6	33.5	23.1	12	87	94
QR1404.M12-050-S	Stainless 1.4305	12	50	14.5	16.5	28	10.6	33.5	23.1	12	87	99
QR1404.M12-060-S	Stainless 1.4305	12	60	14.5	16.5	28	10.6	33.5	23.1	12	87	107
QR1404.M12-070-S	Stainless 1.4305	12	70	14.5	16.5	28	10.6	33.5	23.1	12	87	116
QR1404.M12-080-S	Stainless 1.4305	12	80	14.5	16.5	28	10.6	33.5	23.1	12	87	124



# Ball Lock Pins - Single Acting - Safety

self-locking - stainless 1.4542

## Quick Release Pins



**QR1406**

QUICK RELEASE PINS

### Material

Pin: Stainless steel 1.4542 (AISI 630), precipitation hardened, blast finish. Offering extreme load capacity. (Marked at end of shaft to denote 1.4542 material).  
 Ball: stainless steel 1.3541  
 Spring: stainless steel.  
 Handle: stainless steel.

### Technical Notes

Pressing = unlocking.

Releasing = locking.

Handle shape protects against accidental actuation of ball lock pin.  
 Temperature resistant up to 250°C  
 For quick fastening and locking of frequently repeated connections.

### Tips

For lanyards & retaining cables see part no. LA1066. Easy install locating bushes

available see part no. LA1310.

### Important Notes

\*Shearing resistance similar to DIN 50141.

Order No.	Material	d <sub>1</sub>	l <sub>1</sub>	d <sub>2</sub>	d <sub>3</sub>	d <sub>4</sub>	l <sub>2</sub>	l <sub>3</sub>	l <sub>4</sub>	Location hole dia. tol. H11	Shearing resistance, double kN min.	Weight g
QR1406.M05-010-T	Stainless 1.4542	5	10	5.5	10.3	20	6.0	21.0	11.6	5	24	18
QR1406.M05-015-T	Stainless 1.4542	5	15	5.5	10.3	20	6.0	21.0	11.6	5	24	19
QR1406.M05-020-T	Stainless 1.4542	5	20	5.5	10.3	20	6.0	21.0	11.6	5	24	20
QR1406.M05-025-T	Stainless 1.4542	5	25	5.5	10.3	20	6.0	21.0	11.6	5	24	21
QR1406.M05-030-T	Stainless 1.4542	5	30	5.5	10.3	20	6.0	21.0	11.6	5	24	21
QR1406.M06-010-T	Stainless 1.4542	6	10	7.0	10.3	20	7.0	21.0	11.6	6	35	19
QR1406.M06-015-T	Stainless 1.4542	6	15	7.0	10.3	20	7.0	21.0	11.6	6	35	20
QR1406.M06-020-T	Stainless 1.4542	6	20	7.0	10.3	20	7.0	21.0	11.6	6	35	22
QR1406.M06-025-T	Stainless 1.4542	6	25	7.0	10.3	20	7.0	21.0	11.6	6	35	23
QR1406.M06-030-T	Stainless 1.4542	6	30	7.0	10.3	20	7.0	21.0	11.6	6	35	24
QR1406.M06-035-T	Stainless 1.4542	6	35	7.0	10.3	20	7.0	21.0	11.6	6	35	25
QR1406.M06-040-T	Stainless 1.4542	6	40	7.0	10.3	20	7.0	21.0	11.6	6	35	26

# Quick Release Pins

# Ball Lock Pins - Single Acting - Safety

self-locking - stainless 1.4542



QUICK RELEASE PINS

Order No.	Material	d <sub>1</sub>	l <sub>1</sub>	d <sub>2</sub>	d <sub>3</sub>	d <sub>4</sub>	l <sub>2</sub>	l <sub>3</sub>	l <sub>4</sub>	Location hole dia. tol. H11	Shearing resistance, double kN min.	Weight g
QR1406.M06-045-T	Stainless 1.4542	6	45	7.0	10.3	20	7.0	21.0	11.6	6	35	27
QR1406.M06-050-T	Stainless 1.4542	6	50	7.0	10.3	20	7.0	21.0	11.6	6	35	28
QR1406.M08-020-T	Stainless 1.4542	8	20	9.5	13.3	24	8.2	27.5	17.4	8	63	40
QR1406.M08-025-T	Stainless 1.4542	8	25	9.5	13.3	24	8.2	27.5	17.4	8	63	41
QR1406.M08-030-T	Stainless 1.4542	8	30	9.5	13.3	24	8.2	27.5	17.4	8	63	43
QR1406.M08-035-T	Stainless 1.4542	8	35	9.5	13.3	24	8.2	27.5	17.4	8	63	45
QR1406.M08-040-T	Stainless 1.4542	8	40	9.5	13.3	24	8.2	27.5	17.4	8	63	47
QR1406.M08-045-T	Stainless 1.4542	8	45	9.5	13.3	24	8.2	27.5	17.4	8	63	49
QR1406.M08-050-T	Stainless 1.4542	8	50	9.5	13.3	24	8.2	27.5	17.4	8	63	51
QR1406.M10-020-T	Stainless 1.4542	10	20	12.0	13.3	24	9.6	27.5	17.4	10	100	46
QR1406.M10-025-T	Stainless 1.4542	10	25	12.0	13.3	24	9.6	27.5	17.4	10	100	49
QR1406.M10-030-T	Stainless 1.4542	10	30	12.0	13.3	24	9.6	27.5	17.4	10	100	52
QR1406.M10-035-T	Stainless 1.4542	10	35	12.0	13.3	24	9.6	27.5	17.4	10	100	55
QR1406.M10-040-T	Stainless 1.4542	10	40	12.0	13.3	24	9.6	27.5	17.4	10	100	58
QR1406.M10-045-T	Stainless 1.4542	10	45	12.0	13.3	24	9.6	27.5	17.4	10	100	61
QR1406.M10-050-T	Stainless 1.4542	10	50	12.0	13.3	24	9.6	27.5	17.4	10	100	64
QR1406.M10-060-T	Stainless 1.4542	10	60	12.0	13.3	24	9.6	27.5	17.4	10	100	70
QR1406.M12-025-T	Stainless 1.4542	12	25	14.5	16.5	28	10.6	33.5	23.1	12	144	77
QR1406.M12-030-T	Stainless 1.4542	12	30	14.5	16.5	28	10.6	33.5	23.1	12	144	82
QR1406.M12-035-T	Stainless 1.4542	12	35	14.5	16.5	28	10.6	33.5	23.1	12	144	86
QR1406.M12-040-T	Stainless 1.4542	12	40	14.5	16.5	28	10.6	33.5	23.1	12	144	90
QR1406.M12-045-T	Stainless 1.4542	12	45	14.5	16.5	28	10.6	33.5	23.1	12	144	94
QR1406.M12-050-T	Stainless 1.4542	12	50	14.5	16.5	28	10.6	33.5	23.1	12	144	99
QR1406.M12-060-T	Stainless 1.4542	12	60	14.5	16.5	28	10.6	33.5	23.1	12	144	107
QR1406.M12-070-T	Stainless 1.4542	12	70	14.5	16.5	28	10.6	33.5	23.1	12	144	116
QR1406.M12-080-T	Stainless 1.4542	12	80	14.5	16.5	28	10.6	33.5	23.1	12	144	124