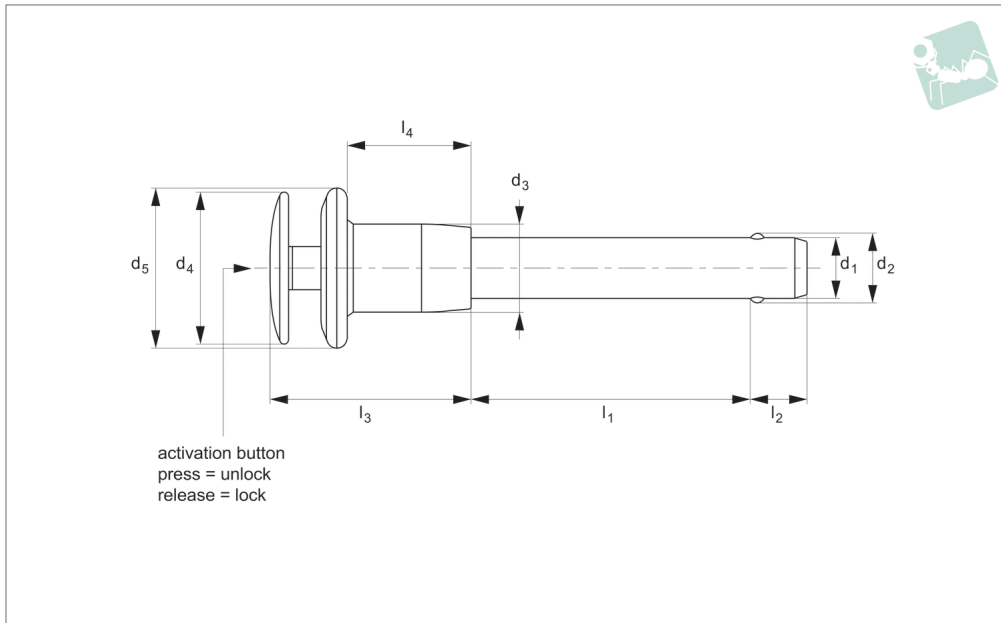




Quick Release Pins - Metric - Dome steel pin

Quick Release Pins



QR1502

QUICK RELEASE PINS

Material

Pin: alloy steel, 4130 (DIN 1.7218), Zinc plated clear chromate. Tensile strength 1,100 N/mm² min. RoHS compliant.
Handle: Alu. 2024-T4 (DIN AlCuMg2), black anodised (RAL 9003).
Actuator button: Alu. 2024-T4 (DIN AlCuMg2), anodised blue or clear.
Internal spindle, balls; from stainless steel.

Technical Notes

Pressing = unlocking.
Releasing = locking.
Temperature range -30°C to +150°C
Use of split ring on this model is not advised, as may interfere with operation of activation button. Locating hole for attachment of wire lanyard is present to enable securing of quick release pin to assembly.

Tips

For quick fastening and locking frequently repeated connections.
For lanyards & retaining cables see part nos. L to LA1224. For easy install locating bushes and end caps see part nos. LA1260 to LA1355.

Order No.	d ₁ max.	d ₁ min.	d ₁ nom.	l ₁ grip +0.50 -0.00	Material	d ₂ ±0.25	d ₃	d ₄	d ₅	l ₂ ±1.00	l ₃	l ₄	Loc'n hole min. max.	Pull out strength kN min.	Calc. double shear kN
QR1502.M05-010-C	4.96	4.92	5	10	4130 Steel	5.54	11.9	19.0	20.6	6	25.5	16.0	5,0/5,1	0.89	21.6
QR1502.M05-015-C	4.96	4.92	5	15	4130 Steel	5.54	11.9	19.0	20.6	6	25.5	16.0	5,0/5,1	0.89	21.6
QR1502.M05-020-C	4.96	4.92	5	20	4130 Steel	5.54	11.9	19.0	20.6	6	25.5	16.0	5,0/5,1	0.89	21.6
QR1502.M05-025-C	4.96	4.92	5	25	4130 Steel	5.54	11.9	19.0	20.6	6	25.5	16.0	5,0/5,1	0.89	21.6
QR1502.M05-030-C	4.96	4.92	5	30	4130 Steel	5.54	11.9	19.0	20.6	6	25.5	16.0	5,0/5,1	0.89	21.6
QR1502.M05-035-C	4.96	4.92	5	35	4130 Steel	5.54	11.9	19.0	20.6	6	25.5	16.0	5,0/5,1	0.89	21.6
QR1502.M05-040-C	4.96	4.92	5	40	4130 Steel	5.54	11.9	19.0	20.6	6	25.5	16.0	5,0/5,1	0.89	21.6
QR1502.M05-045-C	4.96	4.92	5	45	4130 Steel	5.54	11.9	19.0	20.6	6	25.5	16.0	5,0/5,1	0.89	21.6
QR1502.M05-050-C	4.96	4.92	5	50	4130 Steel	5.54	11.9	19.0	20.6	6	25.5	16.0	5,0/5,1	0.89	21.6
QR1502.M05-060-C	4.96	4.92	5	60	4130 Steel	5.54	11.9	19.0	20.6	6	25.5	16.0	5,0/5,1	0.89	21.6
QR1502.M05-070-C	4.96	4.92	5	70	4130 Steel	5.54	11.9	19.0	20.6	6	25.5	16.0	5,0/5,1	0.89	21.6
QR1502.M05-080-C	4.96	4.92	5	80	4130 Steel	5.54	11.9	19.0	20.6	6	25.5	16.0	5,0/5,1	0.89	21.6

Quick Release Pins

Quick Release Pins - Metric - Dome steel pin



QUICK RELEASE PINS

Order No.	d ₁ max.	d ₁ min.	d ₁ nom.	l ₁ grip +0.50 - 0.00	Material	d ₂ ±0.25	d ₃	d ₄	d ₅	l ₂ ±1.00	l ₃	l ₄	Loc'n hole min. max. 5,0/ 5,1	Pull out strength kN min.	Calc. double shear kN
QR1502.M05-090-C	4.96	4.92	5	90	4130 Steel	5.54	11.9	19.0	20.6	6	25.5	16.0	5,0/ 5,1	0.89	21.6
QR1502.M05-100-C	4.96	4.92	5	100	4130 Steel	5.54	11.9	19.0	20.6	6	25.5	16.0	5,0/ 5,1	0.89	21.6
QR1502.M06-010-C	5.96	5.92	6	10	4130 Steel	6.99	11.9	19.0	20.6	7	25.5	16.0	6,0/ 6,1	1.02	31.69
QR1502.M06-015-C	5.96	5.92	6	15	4130 Steel	6.99	11.9	19.0	20.6	7	25.5	16.0	6,0/ 6,1	1.02	31.69
QR1502.M06-020-C	5.96	5.92	6	20	4130 Steel	6.99	11.9	19.0	20.6	7	25.5	16.0	6,0/ 6,1	1.02	31.69
QR1502.M06-025-C	5.96	5.92	6	25	4130 Steel	6.99	11.9	19.0	20.6	7	25.5	16.0	6,0/ 6,1	1.02	31.69
QR1502.M06-030-C	5.96	5.92	6	30	4130 Steel	6.99	11.9	19.0	20.6	7	25.5	16.0	6,0/ 6,1	1.02	31.69
QR1502.M06-035-C	5.96	5.92	6	35	4130 Steel	6.99	11.9	19.0	20.6	7	25.5	16.0	6,0/ 6,1	1.02	31.69
QR1502.M06-040-C	5.96	5.92	6	40	4130 Steel	6.99	11.9	19.0	20.6	7	25.5	16.0	6,0/ 6,1	1.02	31.69
QR1502.M06-045-C	5.96	5.92	6	45	4130 Steel	6.99	11.9	19.0	20.6	7	25.5	16.0	6,0/ 6,1	1.02	31.69
QR1502.M06-050-C	5.96	5.92	6	50	4130 Steel	6.99	11.9	19.0	20.6	7	25.5	16.0	6,0/ 6,1	1.02	31.69
QR1502.M06-060-C	5.96	5.92	6	60	4130 Steel	6.99	11.9	19.0	20.6	7	25.5	16.0	6,0/ 6,1	1.02	31.69
QR1502.M06-070-C	5.96	5.92	6	70	4130 Steel	6.99	11.9	19.0	20.6	7	25.5	16.0	6,0/ 6,1	1.02	31.69
QR1502.M06-080-C	5.96	5.92	6	80	4130 Steel	6.99	11.9	19.0	20.6	7	25.5	16.0	6,0/ 6,1	1.02	31.69
QR1502.M06-090-C	5.96	5.92	6	90	4130 Steel	6.99	11.9	19.0	20.6	7	25.5	16.0	6,0/ 6,1	1.02	31.69
QR1502.M06-100-C	5.96	5.92	6	100	4130 Steel	6.99	11.9	19.0	20.6	7	25.5	16.0	6,0/ 6,1	1.02	31.69
QR1502.M08-010-C	7.96	7.92	8	10	4130 Steel	9.42	11.9	19.0	20.6	8	25.5	16.0	8,0/ 8,1	2.30	56.71
QR1502.M08-015-C	7.96	7.92	8	15	4130 Steel	9.42	11.9	19.0	20.6	8	25.5	16.0	8,0/ 8,1	2.30	56.71
QR1502.M08-020-C	7.96	7.92	8	20	4130 Steel	9.42	11.9	19.0	20.6	8	25.5	16.0	8,0/ 8,1	2.30	56.71
QR1502.M08-025-C	7.96	7.92	8	25	4130 Steel	9.42	11.9	19.0	20.6	8	25.5	16.0	8,0/ 8,1	2.30	56.71
QR1502.M08-030-C	7.96	7.92	8	30	4130 Steel	9.42	11.9	19.0	20.6	8	25.5	16.0	8,0/ 8,1	2.30	56.71
QR1502.M08-035-C	7.96	7.92	8	35	4130 Steel	9.42	11.9	19.0	20.6	8	25.5	16.0	8,0/ 8,1	2.30	56.71
QR1502.M08-040-C	7.96	7.92	8	40	4130 Steel	9.42	11.9	19.0	20.6	8	25.5	16.0	8,0/ 8,1	2.30	56.71
QR1502.M08-045-C	7.96	7.92	8	45	4130 Steel	9.42	11.9	19.0	20.6	8	25.5	16.0	8,0/ 8,1	2.30	56.71
QR1502.M08-050-C	7.96	7.92	8	50	4130 Steel	9.42	11.9	19.0	20.6	8	25.5	16.0	8,0/ 8,1	2.30	56.71
QR1502.M08-060-C	7.96	7.92	8	60	4130 Steel	9.42	11.9	19.0	20.6	8	25.5	16.0	8,0/ 8,1	2.30	56.71
QR1502.M08-070-C	7.96	7.92	8	70	4130 Steel	9.42	11.9	19.0	20.6	8	25.5	16.0	8,0/ 8,1	2.30	56.71
QR1502.M08-080-C	7.96	7.92	8	80	4130 Steel	9.42	11.9	19.0	20.6	8	25.5	16.0	8,0/ 8,1	2.30	56.71
QR1502.M08-090-C	7.96	7.92	8	90	4130 Steel	9.42	11.9	19.0	20.6	8	25.5	16.0	8,0/ 8,1	2.30	56.71
QR1502.M08-100-C	7.96	7.92	8	100	4130 Steel	9.42	11.9	19.0	20.6	8	25.5	16.0	8,0/ 8,1	2.30	56.71
QR1502.M10-015-C	9.96	9.92	10	15	4130 Steel	11,8 6	14.2	23.6	25.4	9	28.4	17.8	10,0/ 10,1	2.56	88.98
QR1502.M10-020-C	9.96	9.92	10	20	4130 Steel	11,8 6	14.2	23.6	25.4	9	28.4	17.8	10,0/ 10,1	2.56	88.98
QR1502.M10-025-C	9.96	9.92	10	25	4130 Steel	11,8 6	14.2	23.6	25.4	9	28.4	17.8	10,0/ 10,1	2.56	88.98



Quick Release Pins - Metric - Dome steel pin

Quick Release Pins

Order No.	d ₁ max.	d ₁ min.	d ₁ nom.	l ₁ grip +0.50 - 0.00	Material	d ₂ ±0.25	d ₃	d ₄	d ₅	l ₂ ±1.00	l ₃	l ₄	Loc'n hole min. max.	Pull out strength kN min.	Calc. double shear kN
QR1502.M10-030-C	9.96	9.92	10	30	4130 Steel	11.8 6	14.2	23.6	25.4	9	28.4	17.8	10,0/ 10,1	2.56	88.98
QR1502.M10-035-C	9.96	9.92	10	35	4130 Steel	11.8 6	14.2	23.6	25.4	9	28.4	17.8	10,0/ 10,1	2.56	88.98
QR1502.M10-040-C	9.96	9.92	10	40	4130 Steel	11.8 6	14.2	23.6	25.4	9	28.4	17.8	10,0/ 10,1	2.56	88.98
QR1502.M10-045-C	9.96	9.92	10	45	4130 Steel	11.8 6	14.2	23.6	25.4	9	28.4	17.8	10,0/ 10,1	2.56	88.98
QR1502.M10-050-C	9.96	9.92	10	50	4130 Steel	11.8 6	14.2	23.6	25.4	9	28.4	17.8	10,0/ 10,1	2.56	88.98
QR1502.M10-060-C	9.96	9.92	10	60	4130 Steel	11.8 6	14.2	23.6	25.4	9	28.4	17.8	10,0/ 10,1	2.56	88.98
QR1502.M10-070-C	9.96	9.92	10	70	4130 Steel	11.8 6	14.2	23.6	25.4	9	28.4	17.8	10,0/ 10,1	2.56	88.98
QR1502.M10-080-C	9.96	9.92	10	80	4130 Steel	11.8 6	14.2	23.6	25.4	9	28.4	17.8	10,0/ 10,1	2.56	88.98
QR1502.M10-090-C	9.96	9.92	10	90	4130 Steel	11.8 6	14.2	23.6	25.4	9	28.4	17.8	10,0/ 10,1	2.56	88.98
QR1502.M10-100-C	9.96	9.92	10	100	4130 Steel	11.8 6	14.2	23.6	25.4	9	28.4	17.8	10,0/ 10,1	2.56	88.98
QR1502.M12-020-C	11.9 6	11.9 2	12	20	4130 Steel	14.4 5	18.3	33.0	34.7	10	35.9	21.6	12,0/ 12,1	5.16	128.05
QR1502.M12-025-C	11.9 6	11.9 2	12	25	4130 Steel	14.4 5	18.3	33.0	34.7	10	35.9	21.6	12,0/ 12,1	5.16	128.05
QR1502.M12-030-C	11.9 6	11.9 2	12	30	4130 Steel	14.4 5	18.3	33.0	34.7	10	35.9	21.6	12,0/ 12,1	5.16	128.05
QR1502.M12-035-C	11.9 6	11.9 2	12	35	4130 Steel	14.4 5	18.3	33.0	34.7	10	35.9	21.6	12,0/ 12,1	5.16	128.05
QR1502.M12-040-C	11.9 6	11.9 2	12	40	4130 Steel	14.4 5	18.3	33.0	34.7	10	35.9	21.6	12,0/ 12,1	5.16	128.05
QR1502.M12-045-C	11.9 6	11.9 2	12	45	4130 Steel	14.4 5	18.3	33.0	34.7	10	35.9	21.6	12,0/ 12,1	5.16	128.05
QR1502.M12-050-C	11.9 6	11.9 2	12	50	4130 Steel	14.4 5	18.3	33.0	34.7	10	35.9	21.6	12,0/ 12,1	5.16	128.05
QR1502.M12-060-C	11.9 6	11.9 2	12	60	4130 Steel	14.4 5	18.3	33.0	34.7	10	35.9	21.6	12,0/ 12,1	5.16	128.05
QR1502.M12-070-C	11.9 6	11.9 2	12	70	4130 Steel	14.4 5	18.3	33.0	34.7	10	35.9	21.6	12,0/ 12,1	5.16	128.05
QR1502.M12-080-C	11.9 6	11.9 2	12	80	4130 Steel	14.4 5	18.3	33.0	34.7	10	35.9	21.6	12,0/ 12,1	5.16	128.05
QR1502.M12-090-C	11.9 6	11.9 2	12	90	4130 Steel	14.4 5	18.3	33.0	34.7	10	35.9	21.6	12,0/ 12,1	5.16	128.05
QR1502.M12-100-C	11.9 6	11.9 2	12	100	4130 Steel	14.4 5	18.3	33.0	34.7	10	35.9	21.6	12,0/ 12,1	5.16	128.05
QR1502.M16-025-C	15.9 6	15.9 2	16	25	4130 Steel	19.0 0	23.9	42.7	44.5	14	46.7	27.9	16,0/ 16,1	9.21	228.60
QR1502.M16-030-C	15.9 6	15.9 2	16	30	4130 Steel	19.0 0	23.9	42.7	44.5	14	46.7	27.9	16,0/ 16,1	9.21	228.60
QR1502.M16-035-C	15.9 6	15.9 2	16	35	4130 Steel	19.0 0	23.9	42.7	44.5	14	46.7	27.9	16,0/ 16,1	9.21	228.60
QR1502.M16-040-C	15.9 6	15.9 2	16	40	4130 Steel	19.0 0	23.9	42.7	44.5	14	46.7	27.9	16,0/ 16,1	9.21	228.60
QR1502.M16-045-C	15.9 6	15.9 2	16	45	4130 Steel	19.0 0	23.9	42.7	44.5	14	46.7	27.9	16,0/ 16,1	9.21	228.60
QR1502.M16-050-C	15.9 6	15.9 2	16	50	4130 Steel	19.0 0	23.9	42.7	44.5	14	46.7	27.9	16,0/ 16,1	9.21	228.60
QR1502.M16-060-C	15.9 6	15.9 2	16	60	4130 Steel	19.0 0	23.9	42.7	44.5	14	46.7	27.9	16,0/ 16,1	9.21	228.60
QR1502.M16-070-C	15.9 6	15.9 2	16	70	4130 Steel	19.0 0	23.9	42.7	44.5	14	46.7	27.9	16,0/ 16,1	9.21	228.60
QR1502.M16-080-C	15.9 6	15.9 2	16	80	4130 Steel	19.0 0	23.9	42.7	44.5	14	46.7	27.9	16,0/ 16,1	9.21	228.60
QR1502.M16-090-C	15.9 6	15.9 2	16	90	4130 Steel	19.0 0	23.9	42.7	44.5	14	46.7	27.9	16,0/ 16,1	9.21	228.60
QR1502.M16-100-C	15.9 6	15.9 2	16	100	4130 Steel	19.0 0	23.9	42.7	44.5	14	46.7	27.9	16,0/ 16,1	9.21	228.60

QUICK RELEASE PINS

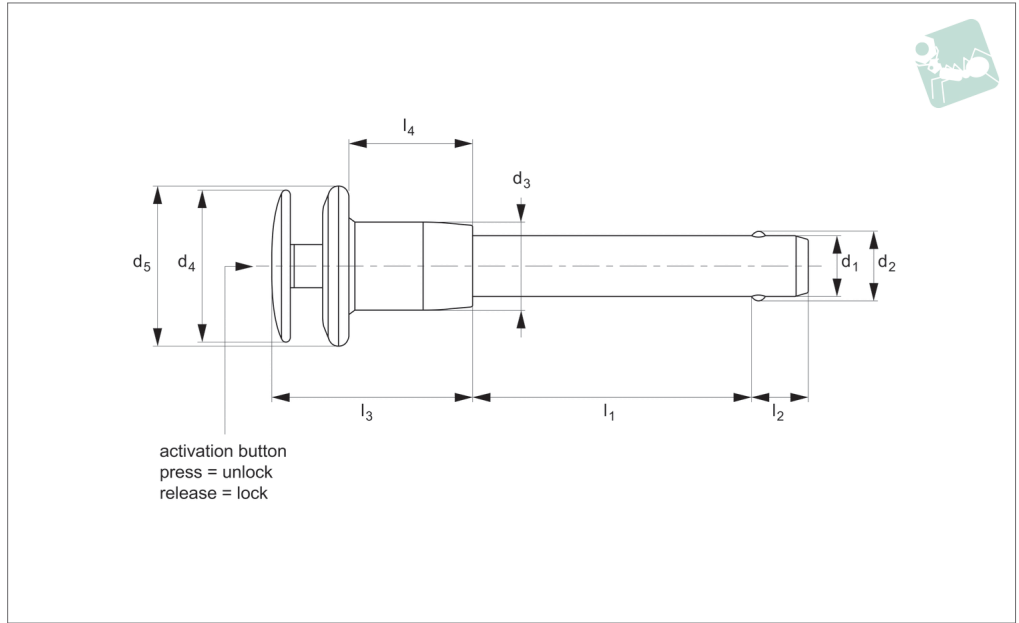
Quick Release Pins

Quick Release Pins - Metric - Dome

precipitation hardened stainless pin



QR1506



QUICK RELEASE PINS

Material

Pin: stainless steel 17-4PH (DIN 1.4542, AISI 630), precipitation hardened, passivated. Tensile strength 1,300 N/mm² min. HRC 40. RoHS compliant.
Handle: Alu. 2024-T4 (DIN AlCuMg2), black anodised (RAL 9003).
Actuator button: Alu. 2024-T4 (DIN AlCuMg2), anodised blue or clear.
Internal spindle, balls; from stainless

steel.

Technical Notes

Pressing = unlocking.
Releasing = locking.
Temperature range -30°C to +150°C
Use of split ring on this model is not advised, as may interfere with operation of activation button. Locating hole for attachment of wire lanyard is present to

enable securing of quick release pin to assembly.

Tips

For quick fastening and locking frequently repeated connections.
For lanyards & retaining cables see part nos. L to LA1224. For easy install locating bushes and end caps see part nos. LA1260 to LA1355.

Order No.	d ₁ max.	d ₁ min.	d ₁ nom.	l ₁ grip +0.50 -0.00	Material	d ₂ ±0.25	d ₃	d ₄	d ₅	l ₂ ±1.00	l ₃	l ₄	Loc'n hole min. max.	Pull out strength kN min.	Calc. double shear kN
QR1506.M05-010-T	4.96	4.92	5	10	17-4 PH	5.54	11.9	19.0	20.6	6	25.5	16.0	5,0/5,1	0.89	24.4
QR1506.M05-015-T	4.96	4.92	5	15	17-4 PH	5.54	11.9	19.0	20.6	6	25.5	16.0	5,0/5,1	0.89	24.4
QR1506.M05-020-T	4.96	4.92	5	20	17-4 PH	5.54	11.9	19.0	20.6	6	25.5	16.0	5,0/5,1	0.89	24.4
QR1506.M05-025-T	4.96	4.92	5	25	17-4 PH	5.54	11.9	19.0	20.6	6	25.5	16.0	5,0/5,1	0.89	24.4
QR1506.M05-030-T	4.96	4.92	5	30	17-4 PH	5.54	11.9	19.0	20.6	6	25.5	16.0	5,0/5,1	0.89	24.4
QR1506.M05-035-T	4.96	4.92	5	35	17-4 PH	5.54	11.9	19.0	20.6	6	25.5	16.0	5,0/5,1	0.89	24.4
QR1506.M05-040-T	4.96	4.92	5	40	17-4 PH	5.54	11.9	19.0	20.6	6	25.5	16.0	5,0/5,1	0.89	24.4
QR1506.M05-045-T	4.96	4.92	5	45	17-4 PH	5.54	11.9	19.0	20.6	6	25.5	16.0	5,0/5,1	0.89	24.4
QR1506.M05-050-T	4.96	4.92	5	50	17-4 PH	5.54	11.9	19.0	20.6	6	25.5	16.0	5,0/5,1	0.89	24.4
QR1506.M05-060-T	4.96	4.92	5	60	17-4 PH	5.54	11.9	19.0	20.6	6	25.5	16.0	5,0/5,1	0.89	24.4
QR1506.M05-070-T	4.96	4.92	5	70	17-4 PH	5.54	11.9	19.0	20.6	6	25.5	16.0	5,0/5,1	0.89	24.4
QR1506.M05-080-T	4.96	4.92	5	80	17-4 PH	5.54	11.9	19.0	20.6	6	25.5	16.0	5,0/5,1	0.89	24.4



Quick Release Pins - Metric - Dome

precipitation hardened stainless pin

Quick Release Pins

Order No.	d ₁ max.	d ₁ min.	d ₁ nom.	l ₁ grip +0.50 - 0.00	Material	d ₂ ±0.25	d ₃	d ₄	d ₅	l ₂ ±1.00	l ₃	l ₄	Loc'n hole min. max.	Pull out strength kN min.	Calc. double shear kN
QR1506.M05-090-T	4.96	4.92	5	90	17-4 PH	5.54	11.9	19.0	20.6	6	25.5	16.0	5,0/5,1	0.89	24.4
QR1506.M05-100-T	4.96	4.92	5	100	17-4 PH	5.54	11.9	19.0	20.6	6	25.5	16.0	5,0/5,1	0.89	24.4
QR1506.M06-010-T	5.96	5.92	6	10	17-4 PH	6.99	11.9	19.0	20.6	7	25.5	16.0	6,0/6,1	1.02	35.64
QR1506.M06-015-T	5.96	5.92	6	15	17-4 PH	6.99	11.9	19.0	20.6	7	25.5	16.0	6,0/6,1	1.02	35.64
QR1506.M06-020-T	5.96	5.92	6	20	17-4 PH	6.99	11.9	19.0	20.6	7	25.5	16.0	6,0/6,1	1.02	35.64
QR1506.M06-025-T	5.96	5.92	6	25	17-4 PH	6.99	11.9	19.0	20.6	7	25.5	16.0	6,0/6,1	1.02	35.64
QR1506.M06-030-T	5.96	5.92	6	30	17-4 PH	6.99	11.9	19.0	20.6	7	25.5	16.0	6,0/6,1	1.02	35.64
QR1506.M06-035-T	5.96	5.92	6	35	17-4 PH	6.99	11.9	19.0	20.6	7	25.5	16.0	6,0/6,1	1.02	35.64
QR1506.M06-040-T	5.96	5.92	6	40	17-4 PH	6.99	11.9	19.0	20.6	7	25.5	16.0	6,0/6,1	1.02	35.64
QR1506.M06-045-T	5.96	5.92	6	45	17-4 PH	6.99	11.9	19.0	20.6	7	25.5	16.0	6,0/6,1	1.02	35.64
QR1506.M06-050-T	5.96	5.92	6	50	17-4 PH	6.99	11.9	19.0	20.6	7	25.5	16.0	6,0/6,1	1.02	35.64
QR1506.M06-060-T	5.96	5.92	6	60	17-4 PH	6.99	11.9	19.0	20.6	7	25.5	16.0	6,0/6,1	1.02	35.64
QR1506.M06-070-T	5.96	5.92	6	70	17-4 PH	6.99	11.9	19.0	20.6	7	25.5	16.0	6,0/6,1	1.02	35.64
QR1506.M06-080-T	5.96	5.92	6	80	17-4 PH	6.99	11.9	19.0	20.6	7	25.5	16.0	6,0/6,1	1.02	35.64
QR1506.M06-090-T	5.96	5.92	6	90	17-4 PH	6.99	11.9	19.0	20.6	7	25.5	16.0	6,0/6,1	1.02	35.64
QR1506.M06-100-T	5.96	5.92	6	100	17-4 PH	6.99	11.9	19.0	20.6	7	25.5	16.0	6,0/6,1	1.02	35.64
QR1506.M08-010-T	7.96	7.92	8	10	17-4 PH	9.42	11.9	19.0	20.6	8	25.5	16.0	8,0/8,1	2.30	63.80
QR1506.M08-015-T	7.96	7.92	8	15	17-4 PH	9.42	11.9	19.0	20.6	8	25.5	16.0	8,0/8,1	2.30	63.80
QR1506.M08-020-T	7.96	7.92	8	20	17-4 PH	9.42	11.9	19.0	20.6	8	25.5	16.0	8,0/8,1	2.30	63.80
QR1506.M08-025-T	7.96	7.92	8	25	17-4 PH	9.42	11.9	19.0	20.6	8	25.5	16.0	8,0/8,1	2.30	63.80
QR1506.M08-030-T	7.96	7.92	8	30	17-4 PH	9.42	11.9	19.0	20.6	8	25.5	16.0	8,0/8,1	2.30	63.80
QR1506.M08-035-T	7.96	7.92	8	35	17-4 PH	9.42	11.9	19.0	20.6	8	25.5	16.0	8,0/8,1	2.30	63.80
QR1506.M08-040-T	7.96	7.92	8	40	17-4 PH	9.42	11.9	19.0	20.6	8	25.5	16.0	8,0/8,1	2.30	63.80
QR1506.M08-045-T	7.96	7.92	8	45	17-4 PH	9.42	11.9	19.0	20.6	8	25.5	16.0	8,0/8,1	2.30	63.80
QR1506.M08-050-T	7.96	7.92	8	50	17-4 PH	9.42	11.9	19.0	20.6	8	25.5	16.0	8,0/8,1	2.30	63.80
QR1506.M08-060-T	7.96	7.92	8	60	17-4 PH	9.42	11.9	19.0	20.6	8	25.5	16.0	8,0/8,1	2.30	63.80
QR1506.M08-070-T	7.96	7.92	8	70	17-4 PH	9.42	11.9	19.0	20.6	8	25.5	16.0	8,0/8,1	2.30	63.80
QR1506.M08-080-T	7.96	7.92	8	80	17-4 PH	9.42	11.9	19.0	20.6	8	25.5	16.0	8,0/8,1	2.30	63.80
QR1506.M08-090-T	7.96	7.92	8	90	17-4 PH	9.42	11.9	19.0	20.6	8	25.5	16.0	8,0/8,1	2.30	63.80
QR1506.M08-100-T	7.96	7.92	8	100	17-4 PH	9.42	11.9	19.0	20.6	8	25.5	16.0	8,0/8,1	2.30	63.80
QR1506.M10-015-T	9.96	9.92	10	15	17-4 PH	11.8 6	14.2	23.6	25.4	9	28.4	17.8	10,0/ 10,1	2.56	100.10
QR1506.M10-020-T	9.96	9.92	10	20	17-4 PH	11.8 6	14.2	23.6	25.4	9	28.4	17.8	10,0/ 10,1	2.56	100.10
QR1506.M10-025-T	9.96	9.92	10	25	17-4 PH	11.8 6	14.2	23.6	25.4	9	28.4	17.8	10,0/ 10,1	2.56	100.10

QUICK RELEASE PINS

Quick Release Pins

Quick Release Pins - Metric - Dome precipitation hardened stainless pin



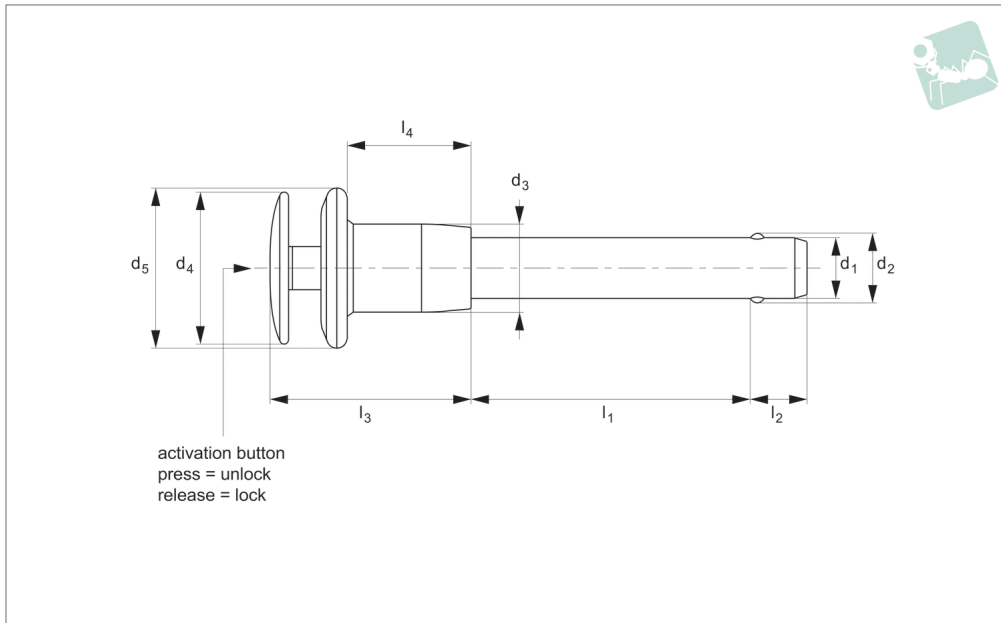
QUICK RELEASE PINS

Order No.	d ₁ max.	d ₁ min.	d ₁ nom.	l ₁ grip +0.50 - 0.00	Material	d ₂ ±0.25	d ₃	d ₄	d ₅	l ₂ ±1.00	l ₃	l ₄	Loc'n hole min. max.	Pull out strength kN min.	Calc. double shear kN
QR1506.M10-030-T	9.96	9.92	10	30	17-4 PH	11.8 6	14.2	23.6	25.4	9	28.4	17.8	10,0/ 10,1	2.56	100.10
QR1506.M10-035-T	9.96	9.92	10	35	17-4 PH	11.8 6	14.2	23.6	25.4	9	28.4	17.8	10,0/ 10,1	2.56	100.10
QR1506.M10-040-T	9.96	9.92	10	40	17-4 PH	11.8 6	14.2	23.6	25.4	9	28.4	17.8	10,0/ 10,1	2.56	100.10
QR1506.M10-045-T	9.96	9.92	10	45	17-4 PH	11.8 6	14.2	23.6	25.4	9	28.4	17.8	10,0/ 10,1	2.56	100.10
QR1506.M10-050-T	9.96	9.92	10	50	17-4 PH	11.8 6	14.2	23.6	25.4	9	28.4	17.8	10,0/ 10,1	2.56	100.10
QR1506.M10-060-T	9.96	9.92	10	60	17-4 PH	11.8 6	14.2	23.6	25.4	9	28.4	17.8	10,0/ 10,1	2.56	100.10
QR1506.M10-070-T	9.96	9.92	10	70	17-4 PH	11.8 6	14.2	23.6	25.4	9	28.4	17.8	10,0/ 10,1	2.56	100.10
QR1506.M10-080-T	9.96	9.92	10	80	17-4 PH	11.8 6	14.2	23.6	25.4	9	28.4	17.8	10,0/ 10,1	2.56	100.10
QR1506.M10-090-T	9.96	9.92	10	90	17-4 PH	11.8 6	14.2	23.6	25.4	9	28.4	17.8	10,0/ 10,1	2.56	100.10
QR1506.M10-100-T	9.96	9.92	10	100	17-4 PH	11.8 6	14.2	23.6	25.4	9	28.4	17.8	10,0/ 10,1	2.56	100.10
QR1506.M12-020-T	11.9 6	11.9 2	12	20	17-4 PH	14.4 5	18.3	33.0	34.7	10	35.9	21.6	12,0/ 12,1	5.16	144.06
QR1506.M12-025-T	11.9 6	11.9 2	12	25	17-4 PH	14.4 5	18.3	33.0	34.7	10	35.9	21.6	12,0/ 12,1	5.16	144.06
QR1506.M12-030-T	11.9 6	11.9 2	12	30	17-4 PH	14.4 5	18.3	33.0	34.7	10	35.9	21.6	12,0/ 12,1	5.16	144.06
QR1506.M12-035-T	11.9 6	11.9 2	12	35	17-4 PH	14.4 5	18.3	33.0	34.7	10	35.9	21.6	12,0/ 12,1	5.16	144.06
QR1506.M12-040-T	11.9 6	11.9 2	12	40	17-4 PH	14.4 5	18.3	33.0	34.7	10	35.9	21.6	12,0/ 12,1	5.16	144.06
QR1506.M12-045-T	11.9 6	11.9 2	12	45	17-4 PH	14.4 5	18.3	33.0	34.7	10	35.9	21.6	12,0/ 12,1	5.16	144.06
QR1506.M12-050-T	11.9 6	11.9 2	12	50	17-4 PH	14.4 5	18.3	33.0	34.7	10	35.9	21.6	12,0/ 12,1	5.16	144.06
QR1506.M12-060-T	11.9 6	11.9 2	12	60	17-4 PH	14.4 5	18.3	33.0	34.7	10	35.9	21.6	12,0/ 12,1	5.16	144.06
QR1506.M12-070-T	11.9 6	11.9 2	12	70	17-4 PH	14.4 5	18.3	33.0	34.7	10	35.9	21.6	12,0/ 12,1	5.16	144.06
QR1506.M12-080-T	11.9 6	11.9 2	12	80	17-4 PH	14.4 5	18.3	33.0	34.7	10	35.9	21.6	12,0/ 12,1	5.16	144.06
QR1506.M12-090-T	11.9 6	11.9 2	12	90	17-4 PH	14.4 5	18.3	33.0	34.7	10	35.9	21.6	12,0/ 12,1	5.16	144.06
QR1506.M12-100-T	11.9 6	11.9 2	12	100	17-4 PH	14.4 5	18.3	33.0	34.7	10	35.9	21.6	12,0/ 12,1	5.16	144.06
QR1506.M16-025-T	15.9 6	15.9 2	16	25	17-4 PH	19.0 0	23.9	44.5	44.5	14	46.7	27.9	16,0/ 16,1	9.21	257.18
QR1506.M16-030-T	15.9 6	15.9 2	16	30	17-4 PH	19.0 0	23.9	44.5	44.5	14	46.7	27.9	16,0/ 16,1	9.21	257.18
QR1506.M16-035-T	15.9 6	15.9 2	16	35	17-4 PH	19.0 0	23.9	44.5	44.5	14	46.7	27.9	16,0/ 16,1	9.21	257.18
QR1506.M16-040-T	15.9 6	15.9 2	16	40	17-4 PH	19.0 0	23.9	44.5	44.5	14	46.7	27.9	16,0/ 16,1	9.21	257.18
QR1506.M16-045-T	15.9 6	15.9 2	16	45	17-4 PH	19.0 0	23.9	44.5	44.5	14	46.7	27.9	16,0/ 16,1	9.21	257.18
QR1506.M16-050-T	15.9 6	15.9 2	16	50	17-4 PH	19.0 0	23.9	44.5	44.5	14	46.7	27.9	16,0/ 16,1	9.21	257.18
QR1506.M16-060-T	15.9 6	15.9 2	16	60	17-4 PH	19.0 0	23.9	44.5	44.5	14	46.7	27.9	16,0/ 16,1	9.21	257.18
QR1506.M16-070-T	15.9 6	15.9 2	16	70	17-4 PH	19.0 0	23.9	44.5	44.5	14	46.7	27.9	16,0/ 16,1	9.21	257.18
QR1506.M16-080-T	15.9 6	15.9 2	16	80	17-4 PH	19.0 0	23.9	44.5	44.5	14	46.7	27.9	16,0/ 16,1	9.21	257.18
QR1506.M16-090-T	15.9 6	15.9 2	16	90	17-4 PH	19.0 0	23.9	44.5	44.5	14	46.7	27.9	16,0/ 16,1	9.21	257.18
QR1506.M16-100-T	15.9 6	15.9 2	16	100	17-4 PH	19.0 0	23.9	44.5	44.5	14	46.7	27.9	16,0/ 16,1	9.21	257.18



Quick Release Pins - Inch - Dome steel pin

Quick Release Pins



QR1522

QUICK RELEASE PINS

Material

Pin: alloy steel, 4130 (DIN 1.7218), Cadmium plated. Tensile strength 1,100 N/mm² min. Non-RoHS compliant.
Handle: Alu. 2024-T4 (DIN AlCuMg2), black anodised (RAL 9003).
Actuator button: Alu. 2024-T4 (DIN AlCuMg2), anodised blue or clear.
Internal spindle, balls; from stainless steel.

Technical Notes

Pressing = unlocking.
Releasing = locking.
Temperature range -30°C to +150°C
Use of split ring on this model is not advised, as may interfere with operation of activation button. Locating hole for attachment of wire lanyard is present to enable securing of quick release pin to assembly.

Tips

For quick fastening and locking frequently repeated connections.
For lanyards & retaining cables see part nos. L to LA1224. For easy install locating bushes and end caps see part nos. LA1260 to LA1355.

Order No.	d ₁ max.	d ₁ min.	d ₁ nom.	l ₁ grip +0.02 - -0.00	Material	d ₂ ±0.0 05	d ₃	d ₄	d ₅	l ₂ +0.000 - -0.030	l ₃	l ₄	Loc'n hole min. max.	Pull out strength lb min.	Calc. double shear lb
QR1522.I18-050-C	,188 5	,187 0	3/16	0.50	4130 Steel	0.22 0	0.47	0.75	0.81	0.260	1.00	0.63	,1900/ ,1940	200	4600
QR1522.I18-075-C	,188 5	,187 0	3/16	0.75	4130 Steel	0.22 0	0.47	0.75	0.81	0.260	1.00	0.63	,1900/ ,1940	200	4600
QR1522.I18-100-C	,188 5	,187 0	3/16	1.00	4130 Steel	0.22 0	0.47	0.75	0.81	0.260	1.00	0.63	,1900/ ,1940	200	4600
QR1522.I18-125-C	,188 5	,187 0	3/16	1.25	4130 Steel	0.22 0	0.47	0.75	0.81	0.260	1.00	0.63	,1900/ ,1940	200	4600
QR1522.I18-150-C	,188 5	,187 0	3/16	1.50	4130 Steel	0.22 0	0.47	0.75	0.81	0.260	1.00	0.63	,1900/ ,1940	200	4600
QR1522.I18-175-C	,188 5	,187 0	3/16	1.75	4130 Steel	0.22 0	0.47	0.75	0.81	0.260	1.00	0.63	,1900/ ,1940	200	4600
QR1522.I18-200-C	,188 5	,187 0	3/16	2.00	4130 Steel	0.22 0	0.47	0.75	0.81	0.260	1.00	0.63	,1900/ ,1940	200	4600
QR1522.I18-250-C	,188 5	,187 0	3/16	2.50	4130 Steel	0.22 0	0.47	0.75	0.81	0.260	1.00	0.63	,1900/ ,1940	200	4600
QR1522.I18-300-C	,188 5	,187 0	3/16	3.00	4130 Steel	0.22 0	0.47	0.75	0.81	0.260	1.00	0.63	,1900/ ,1940	200	4600
QR1522.I18-350-C	,188 5	,187 0	3/16	3.50	4130 Steel	0.22 0	0.47	0.75	0.81	0.260	1.00	0.63	,1900/ ,1940	200	4600
QR1522.I18-400-C	,188 5	,187 0	3/16	4.00	4130 Steel	0.22 0	0.47	0.75	0.81	0.260	1.00	0.63	,1900/ ,1940	200	4600
QR1522.I25-050-C	,248 5	,247 0	1/4	0.50	4130 Steel	0.28 9	0.47	0.75	0.81	0.290	1.00	0.63	,2500/ ,2540	230	8200

Quick Release Pins

Quick Release Pins - Inch - Dome steel pin



QUICK RELEASE PINS

Order No.	d ₁ max.	d ₁ min.	d ₁ nom.	l ₁ grip +0.02 - -0.00	Material	d ₂ ±0.0 05	d ₃	d ₄	d ₅	l ₂ +0.000 - -0.030	l ₃	l ₄	Loc'n hole min. max.	Pull out strength lb min.	Calc. double shear lb
QR1522.I25-075-C	,248 5	,247 0	1/4	0.75	4130 Steel	0.28 9	0.47	0.75	0.81	0.290	1.00	0.63	,2500/ ,2540	230	8200
QR1522.I25-100-C	,248 5	,247 0	1/4	1.00	4130 Steel	0.28 9	0.47	0.75	0.81	0.290	1.00	0.63	,2500/ ,2540	230	8200
QR1522.I25-125-C	,248 5	,247 0	1/4	1.25	4130 Steel	0.28 9	0.47	0.75	0.81	0.290	1.00	0.63	,2500/ ,2540	230	8200
QR1522.I25-150-C	,248 5	,247 0	1/4	1.50	4130 Steel	0.28 9	0.47	0.75	0.81	0.290	1.00	0.63	,2500/ ,2540	230	8200
QR1522.I25-175-C	,248 5	,247 0	1/4	1.75	4130 Steel	0.28 9	0.47	0.75	0.81	0.290	1.00	0.63	,2500/ ,2540	230	8200
QR1522.I25-200-C	,248 5	,247 0	1/4	2.00	4130 Steel	0.28 9	0.47	0.75	0.81	0.290	1.00	0.63	,2500/ ,2540	230	8200
QR1522.I25-250-C	,248 5	,247 0	1/4	2.50	4130 Steel	0.28 9	0.47	0.75	0.81	0.290	1.00	0.63	,2500/ ,2540	230	8200
QR1522.I25-300-C	,248 5	,247 0	1/4	3.00	4130 Steel	0.28 9	0.47	0.75	0.81	0.290	1.00	0.63	,2500/ ,2540	230	8200
QR1522.I25-350-C	,248 5	,247 0	1/4	3.50	4130 Steel	0.28 9	0.47	0.75	0.81	0.290	1.00	0.63	,2500/ ,2540	230	8200
QR1522.I25-400-C	,248 5	,247 0	1/4	4.00	4130 Steel	0.28 9	0.47	0.75	0.81	0.290	1.00	0.63	,2500/ ,2540	230	8200
QR1522.I31-050-C	,311 0	,309 5	5/16	0.50	4130 Steel	0.37 5	0.47	0.75	0.81	0.330	1.00	0.63	,3125/ ,3165	510	12800
QR1522.I31-075-C	,311 0	,309 5	5/16	0.75	4130 Steel	0.37 5	0.47	0.75	0.81	0.330	1.00	0.63	,3125/ ,3165	510	12800
QR1522.I31-100-C	,311 0	,309 5	5/16	1.00	4130 Steel	0.37 5	0.47	0.75	0.81	0.330	1.00	0.63	,3125/ ,3165	510	12800
QR1522.I31-125-C	,311 0	,309 5	5/16	1.25	4130 Steel	0.37 5	0.47	0.75	0.81	0.330	1.00	0.63	,3125/ ,3165	510	12800
QR1522.I31-150-C	,311 0	,309 5	5/16	1.50	4130 Steel	0.37 5	0.47	0.75	0.81	0.330	1.00	0.63	,3125/ ,3165	510	12800
QR1522.I31-175-C	,311 0	,309 5	5/16	1.75	4130 Steel	0.37 5	0.47	0.75	0.81	0.330	1.00	0.63	,3125/ ,3165	510	12800
QR1522.I31-200-C	,311 0	,309 5	5/16	2.00	4130 Steel	0.37 5	0.47	0.75	0.81	0.330	1.00	0.63	,3125/ ,3165	510	12800
QR1522.I31-250-C	,311 0	,309 5	5/16	2.50	4130 Steel	0.37 5	0.47	0.75	0.81	0.330	1.00	0.63	,3125/ ,3165	510	12800
QR1522.I31-300-C	,311 0	,309 5	5/16	3.00	4130 Steel	0.37 5	0.47	0.75	0.81	0.330	1.00	0.63	,3125/ ,3165	510	12800
QR1522.I31-350-C	,311 0	,309 5	5/16	3.50	4130 Steel	0.37 5	0.47	0.75	0.81	0.330	1.00	0.63	,3125/ ,3165	510	12800
QR1522.I31-400-C	,311 0	,309 5	5/16	4.00	4130 Steel	0.37 5	0.47	0.75	0.81	0.330	1.00	0.63	,3125/ ,3165	510	12800
QR1522.I37-050-C	,373 5	,372 0	3/8	0.50	4130 Steel	0.44 0	0.56	0.93	1.00	0.365	1.12	0.70	,3750/ ,3790	575	18400
QR1522.I37-075-C	,373 5	,372 0	3/8	0.75	4130 Steel	0.44 0	0.56	0.93	1.00	0.365	1.12	0.70	,3750/ ,3790	575	18400
QR1522.I37-100-C	,373 5	,372 0	3/8	1.00	4130 Steel	0.44 0	0.56	0.93	1.00	0.365	1.12	0.70	,3750/ ,3790	575	18400
QR1522.I37-125-C	,373 5	,372 0	3/8	1.25	4130 Steel	0.44 0	0.56	0.93	1.00	0.365	1.12	0.70	,3750/ ,3790	575	18400
QR1522.I37-150-C	,373 5	,372 0	3/8	1.50	4130 Steel	0.44 0	0.56	0.93	1.00	0.365	1.12	0.70	,3750/ ,3790	575	18400
QR1522.I37-175-C	,373 5	,372 0	3/8	1.75	4130 Steel	0.44 0	0.56	0.93	1.00	0.365	1.12	0.70	,3750/ ,3790	575	18400
QR1522.I37-200-C	,373 5	,372 0	3/8	2.00	4130 Steel	0.44 0	0.56	0.93	1.00	0.365	1.12	0.70	,3750/ ,3790	575	18400
QR1522.I37-250-C	,373 5	,372 0	3/8	2.50	4130 Steel	0.44 0	0.56	0.93	1.00	0.365	1.12	0.70	,3750/ ,3790	575	18400
QR1522.I37-300-C	,373 5	,372 0	3/8	3.00	4130 Steel	0.44 0	0.56	0.93	1.00	0.365	1.12	0.70	,3750/ ,3790	575	18400
QR1522.I37-350-C	,373 5	,372 0	3/8	3.50	4130 Steel	0.44 0	0.56	0.93	1.00	0.365	1.12	0.70	,3750/ ,3790	575	18400
QR1522.I37-400-C	,373 5	,372 0	3/8	4.00	4130 Steel	0.44 0	0.56	0.93	1.00	0.365	1.12	0.70	,3750/ ,3790	575	18400
QR1522.I50-100-C	,498 5	,497 0	1/2	1.00	4130 Steel	0.59 4	0.72	1.30	1.37	0.460	1.41	0.85	,5000/ ,5050	1160	32800



Quick Release Pins - Inch - Dome steel pin

Quick Release Pins

Order No.	d ₁ max.	d ₁ min.	d ₁ nom.	l ₁ grip +0.02 - -0.00	Material	d ₂ ±0.0 05	d ₃	d ₄	d ₅	l ₂ +0.000 - 0.030	l ₃	l ₄	Loc'n hole min. max.	Pull out strength lb min.	Calc. double shear lb
QR1522.I50-125-C	.498 5	.497 0	1/2	1.25	4130 Steel	0.59 4	0.72	1.30	1.37	0.460	1.41	0.85	.5000/ .5050	1160	32800
QR1522.I50-150-C	.498 5	.497 0	1/2	1.50	4130 Steel	0.59 4	0.72	1.30	1.37	0.460	1.41	0.85	.5000/ .5050	1160	32800
QR1522.I50-175-C	.498 5	.497 0	1/2	1.75	4130 Steel	0.59 4	0.72	1.30	1.37	0.460	1.41	0.85	.5000/ .5050	1160	32800
QR1522.I50-200-C	.498 5	.497 0	1/2	2.00	4130 Steel	0.59 4	0.72	1.30	1.37	0.460	1.41	0.85	.5000/ .5050	1160	32800
QR1522.I50-250-C	.498 5	.497 0	1/2	2.50	4130 Steel	0.59 4	0.72	1.30	1.37	0.460	1.41	0.85	.5000/ .5050	1160	32800
QR1522.I50-300-C	.498 5	.497 0	1/2	3.00	4130 Steel	0.59 4	0.72	1.30	1.37	0.460	1.41	0.85	.5000/ .5050	1160	32800
QR1522.I50-350-C	.498 5	.497 0	1/2	3.50	4130 Steel	0.59 4	0.72	1.30	1.37	0.460	1.41	0.85	.5000/ .5050	1160	32800
QR1522.I50-400-C	.498 5	.497 0	1/2	4.00	4130 Steel	0.59 4	0.72	1.30	1.37	0.460	1.41	0.85	.5000/ .5050	1160	32800
QR1522.I50-450-C	.498 5	.497 0	1/2	4.50	4130 Steel	0.59 4	0.72	1.30	1.37	0.460	1.41	0.85	.5000/ .5050	1160	32800
QR1522.I50-500-C	.498 5	.497 0	1/2	5.00	4130 Steel	0.59 4	0.72	1.30	1.37	0.460	1.41	0.85	.5000/ .5050	1160	32800
QR1522.I50-550-C	.498 5	.497 0	1/2	5.50	4130 Steel	0.59 4	0.72	1.30	1.37	0.460	1.41	0.85	.5000/ .5050	1160	32800
QR1522.I50-600-C	.498 5	.497 0	1/2	6.00	4130 Steel	0.59 4	0.72	1.30	1.37	0.460	1.41	0.85	.5000/ .5050	1160	32800
QR1522.I62-150-C	.623 5	.622 0	5/8	1.50	4130 Steel	0.75 0	0.94	1.68	1.75	0.580	1.84	1.10	.6250/ .6300	2070	51200
QR1522.I62-175-C	.623 5	.622 0	5/8	1.75	4130 Steel	0.75 0	0.94	1.68	1.75	0.580	1.84	1.10	.6250/ .6300	2070	51200
QR1522.I62-200-C	.623 5	.622 0	5/8	2.00	4130 Steel	0.75 0	0.94	1.68	1.75	0.580	1.84	1.10	.6250/ .6300	2070	51200
QR1522.I62-250-C	.623 5	.622 0	5/8	2.50	4130 Steel	0.75 0	0.94	1.68	1.75	0.580	1.84	1.10	.6250/ .6300	2070	51200
QR1522.I62-300-C	.623 5	.622 0	5/8	3.00	4130 Steel	0.75 0	0.94	1.68	1.75	0.580	1.84	1.10	.6250/ .6300	2070	51200
QR1522.I62-350-C	.623 5	.622 0	5/8	3.50	4130 Steel	0.75 0	0.94	1.68	1.75	0.580	1.84	1.10	.6250/ .6300	2070	51200
QR1522.I62-400-C	.623 5	.622 0	5/8	4.00	4130 Steel	0.75 0	0.94	1.68	1.75	0.580	1.84	1.10	.6250/ .6300	2070	51200
QR1522.I62-450-C	.623 5	.622 0	5/8	4.50	4130 Steel	0.75 0	0.94	1.68	1.75	0.580	1.84	1.10	.6250/ .6300	2070	51200
QR1522.I62-500-C	.623 5	.622 0	5/8	5.00	4130 Steel	0.75 0	0.94	1.68	1.75	0.580	1.84	1.10	.6250/ .6300	2070	51200
QR1522.I62-550-C	.623 5	.622 0	5/8	5.50	4130 Steel	0.75 0	0.94	1.68	1.75	0.580	1.84	1.10	.6250/ .6300	2070	51200
QR1522.I62-600-C	.623 5	.622 0	5/8	6.00	4130 Steel	0.75 0	0.94	1.68	1.75	0.580	1.84	1.10	.6250/ .6300	2070	51200

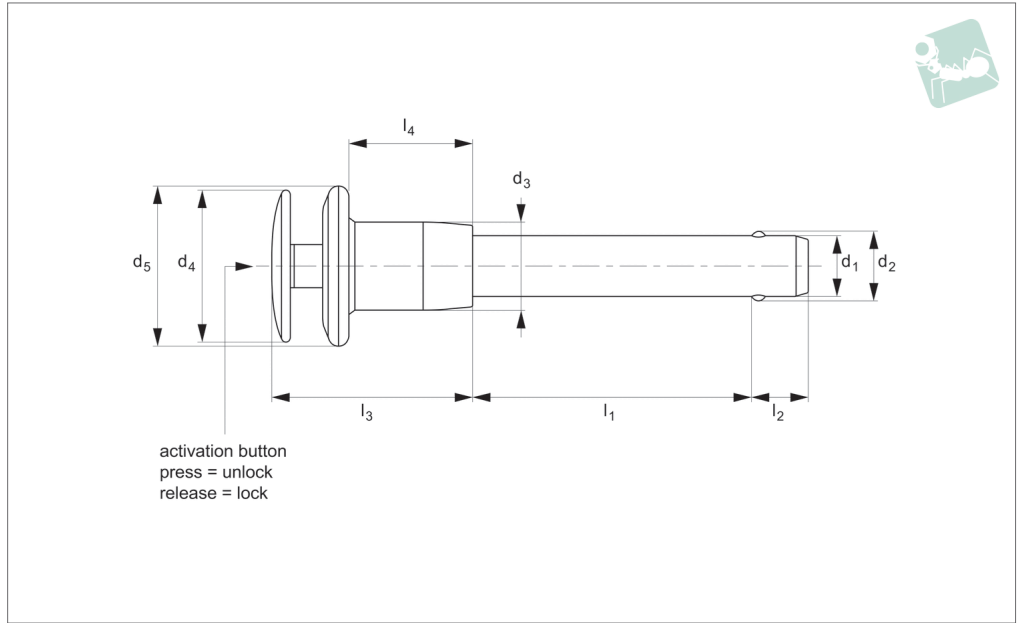
QUICK RELEASE PINS

Quick Release Pins

Quick Release Pins - Inch - Dome stainless pin



QR1524



QUICK RELEASE PINS

Material

Pin: stainless steel, AISI 304 (DIN 1.4301) or AISI 303 (DIN 1.4305), passivated.
Tensile strength 500 N/mm² min. RoHS compliant.
Handle: Alu. 2024-T4 (DIN AlCuMg2), black anodised (RAL 9003).
Actuator button: Alu. 2024-T4 (DIN AlCuMg2), anodised blue or clear.
Internal spindle, balls; from stainless

steel.

Technical Notes

Pressing = unlocking.
Releasing = locking.
Temperature range -30°C to +150°C
Use of split ring on this model is not advised, as may interfere with operation of activation button. Locating hole for attachment of wire lanyard is present to

enable securing of quick release pin to assembly.

Tips

For quick fastening and locking frequently repeated connections.
For lanyards & retaining cables see part nos. L to LA1224. For easy install locating bushes and end caps see part nos. LA1260 to LA1355.

Order No.	d ₁ max.	d ₁ min.	d ₁ nom.	l ₁ grip +0.02 -0.00	Material	d ₂ ±0.005	d ₃	d ₄	d ₅	l ₂ +0.000 -0.030	l ₃	l ₄	Loc'n hole min. max.	Pull out strength lb min.	Calc. double shear lb
QR1524.I25-050-S	,248 5	,247 0	1/4	0.50	304 SS	0.289	0.47	0.75	0.81	0.290	1.00	0.63	,2500/ ,2540	230	2200
QR1524.I25-075-S	,248 5	,247 0	1/4	0.75	304 SS	0.289	0.47	0.75	0.81	0.290	1.00	0.63	,2500/ ,2540	230	2200
QR1524.I25-100-S	,248 5	,247 0	1/4	1.00	304 SS	0.289	0.47	0.75	0.81	0.290	1.00	0.63	,2500/ ,2540	230	2200
QR1524.I25-125-S	,248 5	,247 0	1/4	1.25	304 SS	0.289	0.47	0.75	0.81	0.290	1.00	0.63	,2500/ ,2540	230	2200
QR1524.I25-150-S	,248 5	,247 0	1/4	1.50	304 SS	0.289	0.47	0.75	0.81	0.290	1.00	0.63	,2500/ ,2540	230	2200
QR1524.I25-175-S	,248 5	,247 0	1/4	1.75	304 SS	0.289	0.47	0.75	0.81	0.290	1.00	0.63	,2500/ ,2540	230	2200
QR1524.I25-200-S	,248 5	,247 0	1/4	2.00	304 SS	0.289	0.47	0.75	0.81	0.290	1.00	0.63	,2500/ ,2540	230	2200
QR1524.I25-250-S	,248 5	,247 0	1/4	2.50	304 SS	0.289	0.47	0.75	0.81	0.290	1.00	0.63	,2500/ ,2540	230	2200
QR1524.I25-300-S	,248 5	,247 0	1/4	3.00	304 SS	0.289	0.47	0.75	0.81	0.290	1.00	0.63	,2500/ ,2540	230	2200
QR1524.I25-350-S	,248 5	,247 0	1/4	3.50	304 SS	0.289	0.47	0.75	0.81	0.290	1.00	0.63	,2500/ ,2540	230	2200
QR1524.I25-400-S	,248 5	,247 0	1/4	4.00	304 SS	0.289	0.47	0.75	0.81	0.290	1.00	0.63	,2500/ ,2540	230	2200
QR1524.I31-050-S	,311 0	,309 5	5/16	0.50	304 SS	0.375	0.47	0.75	0.81	0.330	1.00	0.63	,3125/ ,3165	510	3500



Quick Release Pins - Inch - Dome stainless pin

Quick Release Pins

Order No.	d ₁ max.	d ₁ min.	d ₁ nom.	l ₁ grip +0.02 - -0.00	Mate rial	d ₂ ±0.0 05	d ₃	d ₄	d ₅	l ₂ +0.000 - -0.030	l ₃	l ₄	Loc'n hole min. max.	Pull out strength lb min.	Calc. double shear lb
QR1524.I31-075-S	,311 0	,309 5	5/16	0.75	304 SS	0.37 5	0.47	0.75	0.81	0.330	1.00	0.63	,3125/ ,3165	510	3500
QR1524.I31-100-S	,311 0	,309 5	5/16	1.00	304 SS	0.37 5	0.47	0.75	0.81	0.330	1.00	0.63	,3125/ ,3165	510	3500
QR1524.I31-125-S	,311 0	,309 5	5/16	1.25	304 SS	0.37 5	0.47	0.75	0.81	0.330	1.00	0.63	,3125/ ,3165	510	3500
QR1524.I31-150-S	,311 0	,309 5	5/16	1.50	304 SS	0.37 5	0.47	0.75	0.81	0.330	1.00	0.63	,3125/ ,3165	510	3500
QR1524.I31-175-S	,311 0	,309 5	5/16	1.75	304 SS	0.37 5	0.47	0.75	0.81	0.330	1.00	0.63	,3125/ ,3165	510	3500
QR1524.I31-200-S	,311 0	,309 5	5/16	2.00	304 SS	0.37 5	0.47	0.75	0.81	0.330	1.00	0.63	,3125/ ,3165	510	3500
QR1524.I31-250-S	,311 0	,309 5	5/16	2.50	304 SS	0.37 5	0.47	0.75	0.81	0.330	1.00	0.63	,3125/ ,3165	510	3500
QR1524.I31-300-S	,311 0	,309 5	5/16	3.00	304 SS	0.37 5	0.47	0.75	0.81	0.330	1.00	0.63	,3125/ ,3165	510	3500
QR1524.I31-350-S	,311 0	,309 5	5/16	3.50	304 SS	0.37 5	0.47	0.75	0.81	0.330	1.00	0.63	,3125/ ,3165	510	3500
QR1524.I31-400-S	,311 0	,309 5	5/16	4.00	304 SS	0.37 5	0.47	0.75	0.81	0.330	1.00	0.63	,3125/ ,3165	510	3500
QR1524.I37-050-S	,373 5	,372 0	3/8	0.50	304 SS	0.44 0	0.56	0.93	1.00	0.365	1.12	0.70	,3750/ ,3790	575	4500
QR1524.I37-075-S	,373 5	,372 0	3/8	0.75	304 SS	0.44 0	0.56	0.93	1.00	0.365	1.12	0.70	,3750/ ,3790	575	4500
QR1524.I37-100-S	,373 5	,372 0	3/8	1.00	304 SS	0.44 0	0.56	0.93	1.00	0.365	1.12	0.70	,3750/ ,3790	575	4500
QR1524.I37-125-S	,373 5	,372 0	3/8	1.25	304 SS	0.44 0	0.56	0.93	1.00	0.365	1.12	0.70	,3750/ ,3790	575	4500
QR1524.I37-150-S	,373 5	,372 0	3/8	1.50	304 SS	0.44 0	0.56	0.93	1.00	0.365	1.12	0.70	,3750/ ,3790	575	4500
QR1524.I37-175-S	,373 5	,372 0	3/8	1.75	304 SS	0.44 0	0.56	0.93	1.00	0.365	1.12	0.70	,3750/ ,3790	575	4500
QR1524.I37-200-S	,373 5	,372 0	3/8	2.00	304 SS	0.44 0	0.56	0.93	1.00	0.365	1.12	0.70	,3750/ ,3790	575	4500
QR1524.I37-250-S	,373 5	,372 0	3/8	2.50	304 SS	0.44 0	0.56	0.93	1.00	0.365	1.12	0.70	,3750/ ,3790	575	4500
QR1524.I37-300-S	,373 5	,372 0	3/8	3.00	304 SS	0.44 0	0.56	0.93	1.00	0.365	1.12	0.70	,3750/ ,3790	575	4500
QR1524.I37-350-S	,373 5	,372 0	3/8	3.50	304 SS	0.44 0	0.56	0.93	1.00	0.365	1.12	0.70	,3750/ ,3790	575	4500
QR1524.I37-400-S	,373 5	,372 0	3/8	4.00	304 SS	0.44 0	0.56	0.93	1.00	0.365	1.12	0.70	,3750/ ,3790	575	4500
QR1524.I50-100-S	,498 5	,497 0	1/2	1.00	304 SS	0.59 4	0.72	1.30	1.37	0.460	1.41	0.85	,5000/ ,5050	1160	11500
QR1524.I50-125-S	,498 5	,497 0	1/2	1.25	304 SS	0.59 4	0.72	1.30	1.37	0.460	1.41	0.85	,5000/ ,5050	1160	11500
QR1524.I50-150-S	,498 5	,497 0	1/2	1.50	304 SS	0.59 4	0.72	1.30	1.37	0.460	1.41	0.85	,5000/ ,5050	1160	11500
QR1524.I50-175-S	,498 5	,497 0	1/2	1.75	304 SS	0.59 4	0.72	1.30	1.37	0.460	1.41	0.85	,5000/ ,5050	1160	11500
QR1524.I50-200-S	,498 5	,497 0	1/2	2.00	304 SS	0.59 4	0.72	1.30	1.37	0.460	1.41	0.85	,5000/ ,5050	1160	11500
QR1524.I50-250-S	,498 5	,497 0	1/2	2.50	304 SS	0.59 4	0.72	1.30	1.37	0.460	1.41	0.85	,5000/ ,5050	1160	11500
QR1524.I50-300-S	,498 5	,497 0	1/2	3.00	304 SS	0.59 4	0.72	1.30	1.37	0.460	1.41	0.85	,5000/ ,5050	1160	11500
QR1524.I50-350-S	,498 5	,497 0	1/2	3.50	304 SS	0.59 4	0.72	1.30	1.37	0.460	1.41	0.85	,5000/ ,5050	1160	11500
QR1524.I50-400-S	,498 5	,497 0	1/2	4.00	304 SS	0.59 4	0.72	1.30	1.37	0.460	1.41	0.85	,5000/ ,5050	1160	11500
QR1524.I50-450-S	,498 5	,497 0	1/2	4.50	304 SS	0.59 4	0.72	1.30	1.37	0.460	1.41	0.85	,5000/ ,5050	1160	11500
QR1524.I50-500-S	,498 5	,497 0	1/2	5.00	304 SS	0.59 4	0.72	1.30	1.37	0.460	1.41	0.85	,5000/ ,5050	1160	11500
QR1524.I50-550-S	,498 5	,497 0	1/2	5.50	304 SS	0.59 4	0.72	1.30	1.37	0.460	1.41	0.85	,5000/ ,5050	1160	11500

QUICK RELEASE PINS

Quick Release Pins

Quick Release Pins - Inch - Dome stainless pin



Order No.	d ₁ max.	d ₁ min.	d ₁ nom.	l ₁ grip +0.02 - -0.00	Material	d ₂ ±0.0 05	d ₃	d ₄	d ₅	l ₂ +0.000 - 0.030	l ₃	l ₄	Loc'n hole min. max.	Pull out strength lb min.	Calc. double shear lb
QR1524.I50-600-S	,498 5	,497 0	1/2	6.00	304 SS	0.59 4	0.72	1.30	1.37	0.460	1.41	0.85	,5000/ ,5050	1160	11500

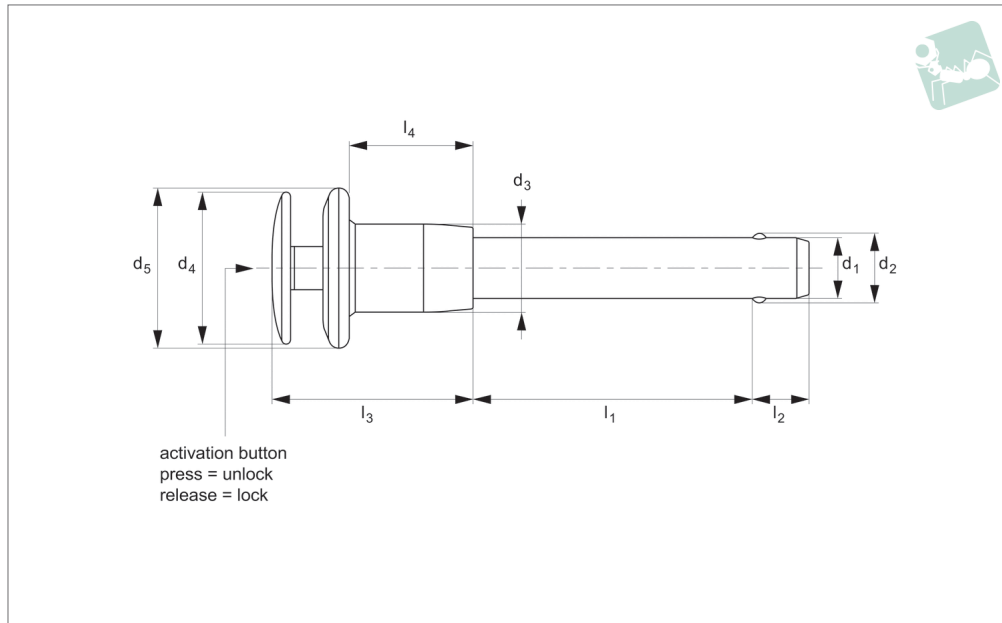
QUICK RELEASE PINS



Quick Release Pins - Inch - Dome

precipitation hardened stainless pin

Quick Release Pins



QR1526

QUICK RELEASE PINS

Material

Pin: stainless steel 17-4PH (DIN 1.4542, AISI 630), precipitation hardened, passivated. Tensile strength 1,300 N/mm² min. HRC 40. RoHS compliant.
Handle: Alu. 2024-T4 (DIN AlCuMg2), black anodised (RAL 9003).
Actuator button: Alu. 2024-T4 (DIN AlCuMg2), anodised blue or clear.
Internal spindle, balls; from stainless

steel.

Technical Notes

Pressing = unlocking.
Releasing = locking.
Temperature range -30°C to +150°C
Use of split ring on this model is not advised, as may interfere with operation of activation button. Locating hole for attachment of wire lanyard is present to

enable securing of quick release pin to assembly.

Tips

For quick fastening and locking frequently repeated connections.
For lanyards & retaining cables see part nos. L to LA1224. For easy install locating bushes and end caps see part nos. LA1260 to LA1355.

Order No.	d ₁ max.	d ₁ min.	d ₁ nom.	l ₁ grip +0.02 -0.00	Material	d ₂ ±0.005	d ₃	d ₄	d ₅	+0.000 -0.030	l ₃	l ₄	Loc'n hole min. max.
QR1526.118-050-T	,1885	,1870	3/16	0.50	17-4 PH	0.220	0.47	0.75	0.81	0.260	1.00	0.63	,1900/,1940
QR1526.118-075-T	,1885	,1870	3/16	0.75	17-4 PH	0.220	0.47	0.75	0.81	0.260	1.00	0.63	,1900/,1940
QR1526.118-100-T	,1885	,1870	3/16	1.00	17-4 PH	0.220	0.47	0.75	0.81	0.260	1.00	0.63	,1900/,1940
QR1526.118-125-T	,1885	,1870	3/16	1.25	17-4 PH	0.220	0.47	0.75	0.81	0.260	1.00	0.63	,1900/,1940
QR1526.118-150-T	,1885	,1870	3/16	1.50	17-4 PH	0.220	0.47	0.75	0.81	0.260	1.00	0.63	,1900/,1940
QR1526.118-175-T	,1885	,1870	3/16	1.75	17-4 PH	0.220	0.47	0.75	0.81	0.260	1.00	0.63	,1900/,1940
QR1526.118-200-T	,1885	,1870	3/16	2.00	17-4 PH	0.220	0.47	0.75	0.81	0.260	1.00	0.63	,1900/,1940
QR1526.118-250-T	,1885	,1870	3/16	2.50	17-4 PH	0.220	0.47	0.75	0.81	0.260	1.00	0.63	,1900/,1940
QR1526.118-300-T	,1885	,1870	3/16	3.00	17-4 PH	0.220	0.47	0.75	0.81	0.260	1.00	0.63	,1900/,1940
QR1526.118-350-T	,1885	,1870	3/16	3.50	17-4 PH	0.220	0.47	0.75	0.81	0.260	1.00	0.63	,1900/,1940
QR1526.118-400-T	,1885	,1870	3/16	4.00	17-4 PH	0.220	0.47	0.75	0.81	0.260	1.00	0.63	,1900/,1940
QR1526.125-050-T	,2485	,2470	1/4	0.50	17-4 PH	0.289	0.47	0.75	0.81	0.290	1.00	0.63	,2500/,2540
QR1526.125-075-T	,2485	,2470	1/4	0.75	17-4 PH	0.289	0.47	0.75	0.81	0.290	1.00	0.63	,2500/,2540
QR1526.125-100-T	,2485	,2470	1/4	1.00	17-4 PH	0.289	0.47	0.75	0.81	0.290	1.00	0.63	,2500/,2540
QR1526.125-125-T	,2485	,2470	1/4	1.25	17-4 PH	0.289	0.47	0.75	0.81	0.290	1.00	0.63	,2500/,2540
QR1526.125-150-T	,2485	,2470	1/4	1.50	17-4 PH	0.289	0.47	0.75	0.81	0.290	1.00	0.63	,2500/,2540
QR1526.125-175-T	,2485	,2470	1/4	1.75	17-4 PH	0.289	0.47	0.75	0.81	0.290	1.00	0.63	,2500/,2540
QR1526.125-200-T	,2485	,2470	1/4	2.00	17-4 PH	0.289	0.47	0.75	0.81	0.290	1.00	0.63	,2500/,2540
QR1526.125-250-T	,2485	,2470	1/4	2.50	17-4 PH	0.289	0.47	0.75	0.81	0.290	1.00	0.63	,2500/,2540
QR1526.125-300-T	,2485	,2470	1/4	3.00	17-4 PH	0.289	0.47	0.75	0.81	0.290	1.00	0.63	,2500/,2540
QR1526.125-350-T	,2485	,2470	1/4	3.50	17-4 PH	0.289	0.47	0.75	0.81	0.290	1.00	0.63	,2500/,2540
QR1526.125-400-T	,2485	,2470	1/4	4.00	17-4 PH	0.289	0.47	0.75	0.81	0.290	1.00	0.63	,2500/,2540
QR1526.131-050-T	,3110	,3095	5/16	0.50	17-4 PH	0.375	0.47	0.75	0.81	0.330	1.00	0.63	,3125/,3165
QR1526.131-075-T	,3110	,3095	5/16	0.75	17-4 PH	0.375	0.47	0.75	0.81	0.330	1.00	0.63	,3125/,3165
QR1526.131-100-T	,3110	,3095	5/16	1.00	17-4 PH	0.375	0.47	0.75	0.81	0.330	1.00	0.63	,3125/,3165
QR1526.131-125-T	,3110	,3095	5/16	1.25	17-4 PH	0.375	0.47	0.75	0.81	0.330	1.00	0.63	,3125/,3165
QR1526.131-150-T	,3110	,3095	5/16	1.50	17-4 PH	0.375	0.47	0.75	0.81	0.330	1.00	0.63	,3125/,3165

Quick Release Pins

Quick Release Pins - Inch - Dome precipitation hardened stainless pin



QUICK RELEASE PINS

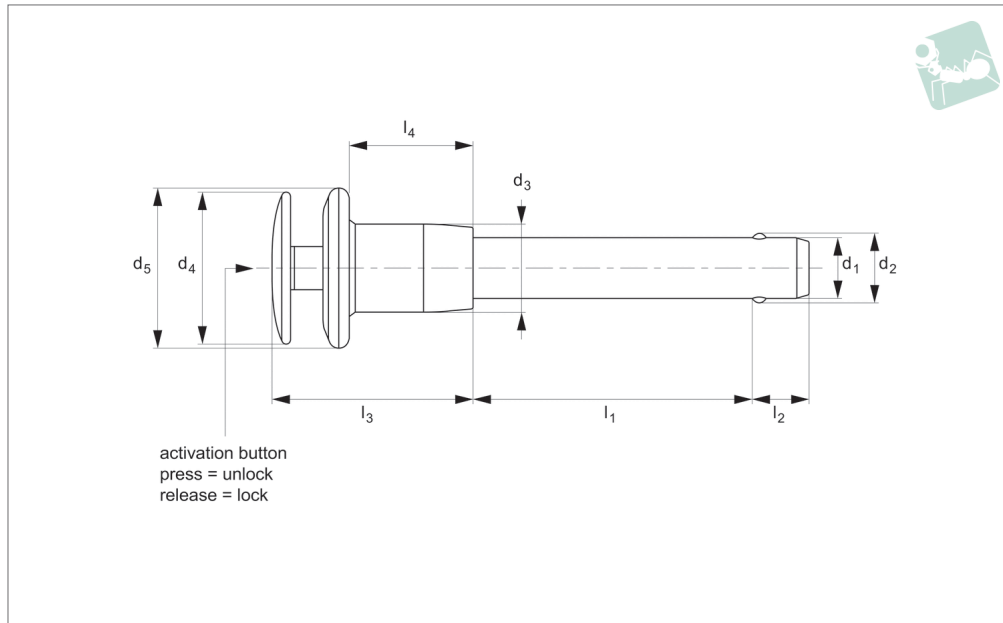
Order No.	d ₁ max.	d ₁ min.	d ₁ nom.	l ₁ grip +0.02 -0.00	Material	d ₂ ±0.005	d ₃	d ₄	d ₅	l ₂ +0.000 -0.030	l ₃	l ₄	Loc'n hole min. max.
QR1526.I31-175-T	,3110	,3095	5/16	1.75	17-4 PH	0.375	0.47	0.75	0.81	0.330	1.00	0.63	,3125/,3165
QR1526.I31-200-T	,3110	,3095	5/16	2.00	17-4 PH	0.375	0.47	0.75	0.81	0.330	1.00	0.63	,3125/,3165
QR1526.I31-250-T	,3110	,3095	5/16	2.50	17-4 PH	0.375	0.47	0.75	0.81	0.330	1.00	0.63	,3125/,3165
QR1526.I31-300-T	,3110	,3095	5/16	3.00	17-4 PH	0.375	0.47	0.75	0.81	0.330	1.00	0.63	,3125/,3165
QR1526.I31-350-T	,3110	,3095	5/16	3.50	17-4 PH	0.375	0.47	0.75	0.81	0.330	1.00	0.63	,3125/,3165
QR1526.I31-400-T	,3110	,3095	5/16	4.00	17-4 PH	0.375	0.47	0.75	0.81	0.330	1.00	0.63	,3125/,3165
QR1526.I37-050-T	,3735	,3720	3/8	0.50	17-4 PH	0.440	0.56	0.93	1.00	0.365	1.12	0.70	,3750/,3790
QR1526.I37-075-T	,3735	,3720	3/8	0.75	17-4 PH	0.440	0.56	0.93	1.00	0.365	1.12	0.70	,3750/,3790
QR1526.I37-100-T	,3735	,3720	3/8	1.00	17-4 PH	0.440	0.56	0.93	1.00	0.365	1.12	0.70	,3750/,3790
QR1526.I37-125-T	,3735	,3720	3/8	1.25	17-4 PH	0.440	0.56	0.93	1.00	0.365	1.12	0.70	,3750/,3790
QR1526.I37-150-T	,3735	,3720	3/8	1.50	17-4 PH	0.440	0.56	0.93	1.00	0.365	1.12	0.70	,3750/,3790
QR1526.I37-175-T	,3735	,3720	3/8	1.75	17-4 PH	0.440	0.56	0.93	1.00	0.365	1.12	0.70	,3750/,3790
QR1526.I37-200-T	,3735	,3720	3/8	2.00	17-4 PH	0.440	0.56	0.93	1.00	0.365	1.12	0.70	,3750/,3790
QR1526.I37-250-T	,3735	,3720	3/8	2.50	17-4 PH	0.440	0.56	0.93	1.00	0.365	1.12	0.70	,3750/,3790
QR1526.I37-300-T	,3735	,3720	3/8	3.00	17-4 PH	0.440	0.56	0.93	1.00	0.365	1.12	0.70	,3750/,3790
QR1526.I37-350-T	,3735	,3720	3/8	3.50	17-4 PH	0.440	0.56	0.93	1.00	0.365	1.12	0.70	,3750/,3790
QR1526.I37-400-T	,3735	,3720	3/8	4.00	17-4 PH	0.440	0.56	0.93	1.00	0.365	1.12	0.70	,3750/,3790
QR1526.I50-100-T	,4985	,4970	1/2	1.00	17-4 PH	0.594	0.72	1.30	1.37	0.460	1.41	0.85	,5000/,5050
QR1526.I50-125-T	,4985	,4970	1/2	1.25	17-4 PH	0.594	0.72	1.30	1.37	0.460	1.41	0.85	,5000/,5050
QR1526.I50-150-T	,4985	,4970	1/2	1.50	17-4 PH	0.594	0.72	1.30	1.37	0.460	1.41	0.85	,5000/,5050
QR1526.I50-175-T	,4985	,4970	1/2	1.75	17-4 PH	0.594	0.72	1.30	1.37	0.460	1.41	0.85	,5000/,5050
QR1526.I50-200-T	,4985	,4970	1/2	2.00	17-4 PH	0.594	0.72	1.30	1.37	0.460	1.41	0.85	,5000/,5050
QR1526.I50-250-T	,4985	,4970	1/2	2.50	17-4 PH	0.594	0.72	1.30	1.37	0.460	1.41	0.85	,5000/,5050
QR1526.I50-300-T	,4985	,4970	1/2	3.00	17-4 PH	0.594	0.72	1.30	1.37	0.460	1.41	0.85	,5000/,5050
QR1526.I50-350-T	,4985	,4970	1/2	3.50	17-4 PH	0.594	0.72	1.30	1.37	0.460	1.41	0.85	,5000/,5050
QR1526.I50-400-T	,4985	,4970	1/2	4.00	17-4 PH	0.594	0.72	1.30	1.37	0.460	1.41	0.85	,5000/,5050
QR1526.I50-450-T	,4985	,4970	1/2	4.50	17-4 PH	0.594	0.72	1.30	1.37	0.460	1.41	0.85	,5000/,5050
QR1526.I50-500-T	,4985	,4970	1/2	5.00	17-4 PH	0.594	0.72	1.30	1.37	0.460	1.41	0.85	,5000/,5050
QR1526.I50-550-T	,4985	,4970	1/2	5.50	17-4 PH	0.594	0.72	1.30	1.37	0.460	1.41	0.85	,5000/,5050
QR1526.I50-600-T	,4985	,4970	1/2	6.00	17-4 PH	0.594	0.72	1.30	1.37	0.460	1.41	0.85	,5000/,5050
QR1526.I62-150-T	,6235	,6220	5/8	1.50	17-4 PH	0.750	0.94	1.68	1.75	0.580	1.84	1.10	,6250/,6300
QR1526.I62-175-T	,6235	,6220	5/8	1.75	17-4 PH	0.750	0.94	1.68	1.75	0.580	1.84	1.10	,6250/,6300
QR1526.I62-200-T	,6235	,6220	5/8	2.00	17-4 PH	0.750	0.94	1.68	1.75	0.580	1.84	1.10	,6250/,6300
QR1526.I62-250-T	,6235	,6220	5/8	2.50	17-4 PH	0.750	0.94	1.68	1.75	0.580	1.84	1.10	,6250/,6300
QR1526.I62-300-T	,6235	,6220	5/8	3.00	17-4 PH	0.750	0.94	1.68	1.75	0.580	1.84	1.10	,6250/,6300
QR1526.I62-350-T	,6235	,6220	5/8	3.50	17-4 PH	0.750	0.94	1.68	1.75	0.580	1.84	1.10	,6250/,6300
QR1526.I62-400-T	,6235	,6220	5/8	4.00	17-4 PH	0.750	0.94	1.68	1.75	0.580	1.84	1.10	,6250/,6300
QR1526.I62-450-T	,6235	,6220	5/8	4.50	17-4 PH	0.750	0.94	1.68	1.75	0.580	1.84	1.10	,6250/,6300
QR1526.I62-500-T	,6235	,6220	5/8	5.00	17-4 PH	0.750	0.94	1.68	1.75	0.580	1.84	1.10	,6250/,6300
QR1526.I62-550-T	,6235	,6220	5/8	5.50	17-4 PH	0.750	0.94	1.68	1.75	0.580	1.84	1.10	,6250/,6300
QR1526.I62-600-T	,6235	,6220	5/8	6.00	17-4 PH	0.750	0.94	1.68	1.75	0.580	1.84	1.10	,6250/,6300



Quick Release Pins - Metric - Dome

precipitation hardened stainless pin - stainless

Quick Release Pins



QR1556

QUICK RELEASE PINS

Material

Pin: stainless steel 17-4PH (DIN 1.4542, AISI 630), precipitation hardened, passivated. Tensile strength 1,300 N/mm² min. HRC 40. RoHS compliant.
Handle: stainless steel, AISI 303 (DIN 1.4305), passivated.
Actuator button: stainless steel, AISI 303 (DIN 1.4305), passivated.
Internal spindle, balls; from stainless

steel.

Technical Notes

Pressing = unlocking.
Releasing = locking.
Temperature range -30°C to +150°C
Use of split ring on this model is not advised, as may interfere with operation of activation button. Locating hole for attachment of wire lanyard is present to

enable securing of quick release pin to assembly.

Tips

For quick fastening and locking frequently repeated connections.
For lanyards & retaining cables see part nos. L to LA1224. For easy install locating bushes and end caps see part nos. LA1260 to LA1355.

Order No.	d ₁ max.	d ₁ min.	d ₁ nom.	l ₁ grip +0.50 - 0.00	Material	d ₂ ±0.25	d ₃	d ₄	d ₅	l ₂ ±1.00	l ₃	l ₄	Loc'n hole min. max.	Pull out strength kN min.	Calc. double shear kN
QR1556.M05-010-T	4.96	4.92	5	10	17-4 PH	5.54	11.9	19.0	20.6	6	25.5	16.0	5,0/5,1	0.89	24.40
QR1556.M05-015-T	4.96	4.92	5	15	17-4 PH	5.54	11.9	19.0	20.6	6	25.5	16.0	5,0/5,1	0.89	24.40
QR1556.M05-020-T	4.96	4.92	5	20	17-4 PH	5.54	11.9	19.0	20.6	6	25.5	16.0	5,0/5,1	0.89	24.40
QR1556.M05-025-T	4.96	4.92	5	25	17-4 PH	5.54	11.9	19.0	20.6	6	25.5	16.0	5,0/5,1	0.89	24.40
QR1556.M05-030-T	4.96	4.92	5	30	17-4 PH	5.54	11.9	19.0	20.6	6	25.5	16.0	5,0/5,1	0.89	24.40
QR1556.M05-035-T	4.96	4.92	5	35	17-4 PH	5.54	11.9	19.0	20.6	6	25.5	16.0	5,0/5,1	0.89	24.40
QR1556.M05-040-T	4.96	4.92	5	40	17-4 PH	5.54	11.9	19.0	20.6	6	25.5	16.0	5,0/5,1	0.89	24.40
QR1556.M05-045-T	4.96	4.92	5	45	17-4 PH	5.54	11.9	19.0	20.6	6	25.5	16.0	5,0/5,1	0.89	24.40
QR1556.M05-050-T	4.96	4.92	5	50	17-4 PH	5.54	11.9	19.0	20.6	6	25.5	16.0	5,0/5,1	0.89	24.40
QR1556.M05-060-T	4.96	4.92	5	60	17-4 PH	5.54	11.9	19.0	20.6	6	25.5	16.0	5,0/5,1	0.89	24.40
QR1556.M05-070-T	4.96	4.92	5	70	17-4 PH	5.54	11.9	19.0	20.6	6	25.5	16.0	5,0/5,1	0.89	24.40
QR1556.M05-080-T	4.96	4.92	5	80	17-4 PH	5.54	11.9	19.0	20.6	6	25.5	16.0	5,0/5,1	0.89	24.40

Quick Release Pins

Quick Release Pins - Metric - Dome precipitation hardened stainless pin - stainless



QUICK RELEASE PINS

Order No.	d ₁ max.	d ₁ min.	d ₁ nom.	l ₁ grip +0.50 - 0.00	Material	d ₂ ±0.25	d ₃	d ₄	d ₅	l ₂ ±1.00	l ₃	l ₄	Loc'n hole min. max.	Pull out strength kN min.	Calc. double shear kN
QR1556.M05-090-T	4.96	4.92	5	90	17-4 PH	5.54	11.9	19.0	20.6	6	25.5	16.0	5,0/5,1	0.89	24.40
QR1556.M05-100-T	4.96	4.92	5	100	17-4 PH	5.54	11.9	19.0	20.6	6	25.5	16.0	5,0/5,1	0.89	24.40
QR1556.M06-010-T	5.96	5.92	6	10	17-4 PH	6.99	11.9	19.0	20.6	7	25.5	16.0	6,0/6,1	1.02	35.64
QR1556.M06-015-T	5.96	5.92	6	15	17-4 PH	6.99	11.9	19.0	20.6	7	25.5	16.0	6,0/6,1	1.02	35.64
QR1556.M06-020-T	5.96	5.92	6	20	17-4 PH	6.99	11.9	19.0	20.6	7	25.5	16.0	6,0/6,1	1.02	35.64
QR1556.M06-025-T	5.96	5.92	6	25	17-4 PH	6.99	11.9	19.0	20.6	7	25.5	16.0	6,0/6,1	1.02	35.64
QR1556.M06-030-T	5.96	5.92	6	30	17-4 PH	6.99	11.9	19.0	20.6	7	25.5	16.0	6,0/6,1	1.02	35.64
QR1556.M06-035-T	5.96	5.92	6	35	17-4 PH	6.99	11.9	19.0	20.6	7	25.5	16.0	6,0/6,1	1.02	35.64
QR1556.M06-040-T	5.96	5.92	6	40	17-4 PH	6.99	11.9	19.0	20.6	7	25.5	16.0	6,0/6,1	1.02	35.64
QR1556.M06-045-T	5.96	5.92	6	45	17-4 PH	6.99	11.9	19.0	20.6	7	25.5	16.0	6,0/6,1	1.02	35.64
QR1556.M06-050-T	5.96	5.92	6	50	17-4 PH	6.99	11.9	19.0	20.6	7	25.5	16.0	6,0/6,1	1.02	35.64
QR1556.M06-060-T	5.96	5.92	6	60	17-4 PH	6.99	11.9	19.0	20.6	7	25.5	16.0	6,0/6,1	1.02	35.64
QR1556.M06-070-T	5.96	5.92	6	70	17-4 PH	6.99	11.9	19.0	20.6	7	25.5	16.0	6,0/6,1	1.02	35.64
QR1556.M06-080-T	5.96	5.92	6	80	17-4 PH	6.99	11.9	19.0	20.6	7	25.5	16.0	6,0/6,1	1.02	35.64
QR1556.M06-090-T	5.96	5.92	6	90	17-4 PH	6.99	11.9	19.0	20.6	7	25.5	16.0	6,0/6,1	1.02	35.64
QR1556.M06-100-T	5.96	5.92	6	100	17-4 PH	6.99	11.9	19.0	20.6	7	25.5	16.0	6,0/6,1	1.02	35.64
QR1556.M08-010-T	7.96	7.92	8	10	17-4 PH	9.42	11.9	19.0	20.6	8	25.5	16.0	8,0/8,1	2.30	63.80
QR1556.M08-015-T	7.96	7.92	8	15	17-4 PH	9.42	11.9	19.0	20.6	8	25.5	16.0	8,0/8,1	2.30	63.80
QR1556.M08-020-T	7.96	7.92	8	20	17-4 PH	9.42	11.9	19.0	20.6	8	25.5	16.0	8,0/8,1	2.30	63.80
QR1556.M08-025-T	7.96	7.92	8	25	17-4 PH	9.42	11.9	19.0	20.6	8	25.5	16.0	8,0/8,1	2.30	63.80
QR1556.M08-030-T	7.96	7.92	8	30	17-4 PH	9.42	11.9	19.0	20.6	8	25.5	16.0	8,0/8,1	2.30	63.80
QR1556.M08-035-T	7.96	7.92	8	35	17-4 PH	9.42	11.9	19.0	20.6	8	25.5	16.0	8,0/8,1	2.30	63.80
QR1556.M08-040-T	7.96	7.92	8	40	17-4 PH	9.42	11.9	19.0	20.6	8	25.5	16.0	8,0/8,1	2.30	63.80
QR1556.M08-045-T	7.96	7.92	8	45	17-4 PH	9.42	11.9	19.0	20.6	8	25.5	16.0	8,0/8,1	2.30	63.80
QR1556.M08-050-T	7.96	7.92	8	50	17-4 PH	9.42	11.9	19.0	20.6	8	25.5	16.0	8,0/8,1	2.30	63.80
QR1556.M08-060-T	7.96	7.92	8	60	17-4 PH	9.42	11.9	19.0	20.6	8	25.5	16.0	8,0/8,1	2.30	63.80
QR1556.M08-070-T	7.96	7.92	8	70	17-4 PH	9.42	11.9	19.0	20.6	8	25.5	16.0	8,0/8,1	2.30	63.80
QR1556.M08-080-T	7.96	7.92	8	80	17-4 PH	9.42	11.9	19.0	20.6	8	25.5	16.0	8,0/8,1	2.30	63.80
QR1556.M08-090-T	7.96	7.92	8	90	17-4 PH	9.42	11.9	19.0	20.6	8	25.5	16.0	8,0/8,1	2.30	63.80
QR1556.M08-100-T	7.96	7.92	8	100	17-4 PH	9.42	11.9	19.0	20.6	8	25.5	16.0	8,0/8,1	2.30	63.80
QR1556.M10-015-T	9.92	9.92	10	15	17-4 PH	11.8 6	14.2	23.6	25.4	9	28.4	17.8	10,0/ 10,1	2.56	100.10
QR1556.M10-020-T	9.96	9.92	10	20	17-4 PH	11.8 6	14.2	23.6	25.4	9	28.4	17.8	10,0/ 10,1	2.56	100.10
QR1556.M10-025-T	9.96	9.92	10	25	17-4 PH	11.8 6	14.2	23.6	25.4	9	28.4	17.8	10,0/ 10,1	2.56	100.10



Quick Release Pins - Metric - Dome

precipitation hardened stainless pin - stainless

Quick Release Pins

Order No.	d ₁ max.	d ₁ min.	d ₁ nom.	l ₁ grip +0.50 - 0.00	Material	d ₂ ±0.25	d ₃	d ₄	d ₅	l ₂ ±1.00	l ₃	l ₄	Loc'n hole min. max.	Pull out strength kN min.	Calc. double shear kN
QR1556.M10-030-T	9.96	9.92	10	30	17-4 PH	11.8 6	14.2	23.6	25.4	9	28.4	17.8	10,0/ 10,1	2.56	100.10
QR1556.M10-035-T	9.96	9.92	10	35	17-4 PH	11.8 6	14.2	23.6	25.4	9	28.4	17.8	10,0/ 10,1	2.56	100.10
QR1556.M10-040-T	9.96	9.92	10	40	17-4 PH	11.8 6	14.2	23.6	25.4	9	28.4	17.8	10,0/ 10,1	2.56	100.10
QR1556.M10-045-T	9.96	9.92	10	45	17-4 PH	11.8 6	14.2	23.6	25.4	9	28.4	17.8	10,0/ 10,1	2.56	100.10
QR1556.M10-050-T	9.96	9.92	10	50	17-4 PH	11.8 6	14.2	23.6	25.4	9	28.4	17.8	10,0/ 10,1	2.56	100.10
QR1556.M10-060-T	9.96	9.92	10	60	17-4 PH	11.8 6	14.2	23.6	25.4	9	28.4	17.8	10,0/ 10,1	2.56	100.10
QR1556.M10-070-T	9.96	9.92	10	70	17-4 PH	11.8 6	14.2	23.6	25.4	9	28.4	17.8	10,0/ 10,1	2.56	100.10
QR1556.M10-080-T	9.96	9.92	10	80	17-4 PH	11.8 6	14.2	23.6	25.4	9	28.4	17.8	10,0/ 10,1	2.56	100.10
QR1556.M10-090-T	9.96	9.92	10	90	17-4 PH	11.8 6	14.2	23.6	25.4	9	28.4	17.8	10,0/ 10,1	2.56	100.10
QR1556.M10-100-T	9.96	9.92	10	100	17-4 PH	11.8 6	14.2	23.6	25.4	9	28.4	17.8	10,0/ 10,1	2.56	100.10
QR1556.M12-020-T	11.9 6	11.9 2	12	20	17-4 PH	14.4 5	18.3	33.0	34.7	10	35.9	21.6	12,0/ 12,1	5.16	144.06
QR1556.M12-025-T	11.9 6	11.9 2	12	25	17-4 PH	14.4 5	18.3	33.0	34.7	10	35.9	21.6	12,0/ 12,1	5.16	144.06
QR1556.M12-030-T	11.9 6	11.9 2	12	30	17-4 PH	14.4 5	18.3	33.0	34.7	10	35.9	21.6	12,0/ 12,1	5.16	144.06
QR1556.M12-035-T	11.9 6	11.9 2	12	35	17-4 PH	14.4 5	18.3	33.0	34.7	10	35.9	21.6	12,0/ 12,1	5.16	144.06
QR1556.M12-040-T	11.9 6	11.9 2	12	40	17-4 PH	14.4 5	18.3	33.0	34.7	10	35.9	21.6	12,0/ 12,1	5.16	144.06
QR1556.M12-045-T	11.9 6	11.9 2	12	45	17-4 PH	14.4 5	18.3	33.0	34.7	10	35.9	21.6	12,0/ 12,1	5.16	144.06
QR1556.M12-050-T	11.9 6	11.9 2	12	50	17-4 PH	14.4 5	18.3	33.0	34.7	10	35.9	21.6	12,0/ 12,1	5.16	144.06
QR1556.M12-060-T	11.9 6	11.9 2	12	60	17-4 PH	14.4 5	18.3	33.0	34.7	10	35.9	21.6	12,0/ 12,1	5.16	144.06
QR1556.M12-070-T	11.9 6	11.9 2	12	70	17-4 PH	14.4 5	18.3	33.0	34.7	10	35.9	21.6	12,0/ 12,1	5.16	144.06
QR1556.M12-080-T	11.9 6	11.9 2	12	80	17-4 PH	14.4 5	18.3	33.0	34.7	10	35.9	21.6	12,0/ 12,1	5.16	144.06
QR1556.M12-090-T	11.9 6	11.9 2	12	90	17-4 PH	14.4 5	18.3	33.0	34.7	10	35.9	21.6	12,0/ 12,1	5.16	144.06
QR1556.M12-100-T	11.9 6	11.9 2	12	100	17-4 PH	14.4 5	18.3	33.0	34.7	10	35.9	21.6	12,0/ 12,1	5.16	144.06

QUICK RELEASE PINS

Quick Release Pins

Quick Release Pins - Inch - Dome

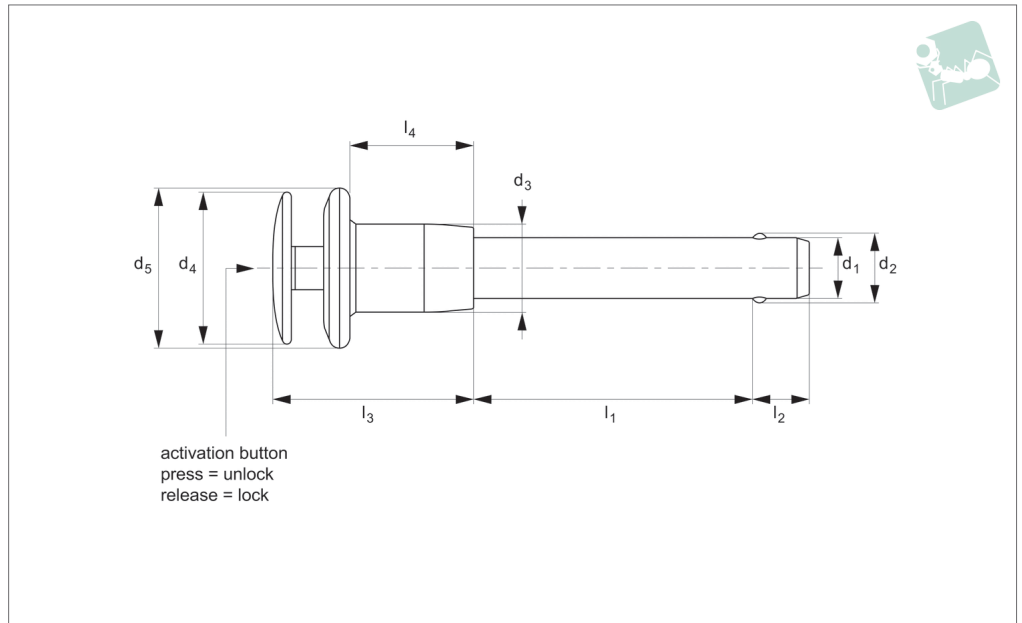
stainless pin - stainless handle



QUICK RELEASE PINS



QR1574



Material

Pin: stainless steel, AISI 304 (DIN 1.4301) or AISI 303 (DIN 1.4305), passivated.
Tensile strength 500 N/mm² min. RoHS compliant.
Handle: stainless steel, AISI 303 (DIN 1.4305), passivated.
Actuator button: stainless steel, AISI 303 (DIN 1.4305), passivated.
Internal spindle, balls; from stainless

steel.

Technical Notes

Pressing = unlocking.
Releasing = locking.
Temperature range -30°C to +150°C
Use of split ring on this model is not advised, as may interfere with operation of activation button. Locating hole for attachment of wire lanyard is present to

enable securing of quick release pin to assembly.

Tips

For quick fastening and locking frequently repeated connections.
For lanyards & retaining cables see part nos. L to LA1224. For easy install locating bushes and end caps see part nos. LA1260 to LA1355.

Order No.	d ₁ max.	d ₁ min.	d ₁ nom.	l ₁ grip +0.02 -0.00	Material	d ₂ ±0.005	d ₃	d ₄	d ₅	l ₂ +0.000 -0.030	l ₃	l ₄	Loc'n hole min. max.	Pull out strength lb min.	Calc. double shear lb
QR1574.I25-050-S	,248 5	,247 0	1/4	0.50	304 SS	0.289	0.47	0.75	0.81	0.290	1.00	0.63	,2500/ ,2540	230	2200
QR1574.I25-075-S	,248 5	,247 0	1/4	0.75	304 SS	0.289	0.47	0.75	0.81	0.290	1.00	0.63	,2500/ ,2540	230	2200
QR1574.I25-100-S	,248 5	,247 0	1/4	1.00	304 SS	0.289	0.47	0.75	0.81	0.290	1.00	0.63	,2500/ ,2540	230	2200
QR1574.I25-125-S	,248 5	,247 0	1/4	1.25	304 SS	0.289	0.47	0.75	0.81	0.290	1.00	0.63	,2500/ ,2540	230	2200
QR1574.I25-150-S	,248 5	,247 0	1/4	1.50	304 SS	0.289	0.47	0.75	0.81	0.290	1.00	0.63	,2500/ ,2540	230	2200
QR1574.I25-175-S	,248 5	,247 0	1/4	1.75	304 SS	0.289	0.47	0.75	0.81	0.290	1.00	0.63	,2500/ ,2540	230	2200
QR1574.I25-200-S	,248 5	,247 0	1/4	2.00	304 SS	0.289	0.47	0.75	0.81	0.290	1.00	0.63	,2500/ ,2540	230	2200
QR1574.I25-250-S	,248 5	,247 0	1/4	2.50	304 SS	0.289	0.47	0.75	0.81	0.290	1.00	0.63	,2500/ ,2540	230	2200
QR1574.I25-300-S	,248 5	,247 0	1/4	3.00	304 SS	0.289	0.47	0.75	0.81	0.290	1.00	0.63	,2500/ ,2540	230	2200
QR1574.I25-350-S	,248 5	,247 0	1/4	3.50	304 SS	0.289	0.47	0.75	0.81	0.290	1.00	0.63	,2500/ ,2540	230	2200
QR1574.I25-400-S	,248 5	,247 0	1/4	4.00	304 SS	0.289	0.47	0.75	0.81	0.290	1.00	0.63	,2500/ ,2540	230	2200
QR1574.I31-050-S	,311 0	,309 5	5/16	0.50	304 SS	0.375	0.47	0.75	0.81	0.330	1.00	0.63	,3125/ ,3165	510	3500



Quick Release Pins - Inch - Dome

stainless pin - stainless handle

Quick Release Pins

Order No.	d ₁ max.	d ₁ min.	d ₁ nom.	l ₁ grip +0.02 - -0.00	Material	d ₂ ±0.0 05	d ₃	d ₄	d ₅	l ₂ +0.000 - -0.030	l ₃	l ₄	Loc'n hole min. max.	Pull out strength lb min.	Calc. double shear lb
QR1574.I31-075-S	,311 0	,309 5	5/16	0.75	304 SS	0.37 5	0.47	0.75	0.81	0.330	1.00	0.63	,3125/ ,3165	510	3500
QR1574.I31-100-S	,311 0	,309 5	5/16	1.00	304 SS	0.37 5	0.47	0.75	0.81	0.330	1.00	0.63	,3125/ ,3165	510	3500
QR1574.I31-125-S	,311 0	,309 5	5/16	1.25	304 SS	0.37 5	0.47	0.75	0.81	0.330	1.00	0.63	,3125/ ,3165	510	3500
QR1574.I31-150-S	,311 0	,309 5	5/16	1.50	304 SS	0.37 5	0.47	0.75	0.81	0.330	1.00	0.63	,3125/ ,3165	510	3500
QR1574.I31-175-S	,311 0	,309 5	5/16	1.75	304 SS	0.37 5	0.47	0.75	0.81	0.330	1.00	0.63	,3125/ ,3165	510	3500
QR1574.I31-200-S	,311 0	,309 5	5/16	2.00	304 SS	0.37 5	0.47	0.75	0.81	0.330	1.00	0.63	,3125/ ,3165	510	3500
QR1574.I31-250-S	,311 0	,309 5	5/16	2.50	304 SS	0.37 5	0.47	0.75	0.81	0.330	1.00	0.63	,3125/ ,3165	510	3500
QR1574.I31-300-S	,311 0	,309 5	5/16	3.00	304 SS	0.37 5	0.47	0.75	0.81	0.330	1.00	0.63	,3125/ ,3165	510	3500
QR1574.I31-350-S	,311 0	,309 5	5/16	3.50	304 SS	0.37 5	0.47	0.75	0.81	0.330	1.00	0.63	,3125/ ,3165	510	3500
QR1574.I31-400-S	,311 0	,309 5	5/16	4.00	304 SS	0.37 5	0.47	0.75	0.81	0.330	1.00	0.63	,3125/ ,3165	510	3500
QR1574.I37-050-S	,373 5	,372 0	3/8	0.50	304 SS	0.44 0	0.56	0.93	0.94	0.365	1.12	0.70	,3750/ ,3790	575	4500
QR1574.I37-075-S	,373 5	,372 0	3/8	0.75	304 SS	0.44 0	0.56	0.93	0.94	0.365	1.12	0.70	,3750/ ,3790	575	4500
QR1574.I37-100-S	,373 5	,372 0	3/8	1.00	304 SS	0.44 0	0.56	0.93	0.94	0.365	1.12	0.70	,3750/ ,3790	575	4500
QR1574.I37-125-S	,373 5	,372 0	3/8	1.25	304 SS	0.44 0	0.56	0.93	0.94	0.365	1.12	0.70	,3750/ ,3790	575	4500
QR1574.I37-150-S	,373 5	,372 0	3/8	1.50	304 SS	0.44 0	0.56	0.93	0.94	0.365	1.12	0.70	,3750/ ,3790	575	4500
QR1574.I37-175-S	,373 5	,372 0	3/8	1.75	304 SS	0.44 0	0.56	0.93	0.94	0.365	1.12	0.70	,3750/ ,3790	575	4500
QR1574.I37-200-S	,373 5	,372 0	3/8	2.00	304 SS	0.44 0	0.56	0.93	0.94	0.365	1.12	0.70	,3750/ ,3790	575	4500
QR1574.I37-250-S	,373 5	,372 0	3/8	2.50	304 SS	0.44 0	0.56	0.93	0.94	0.365	1.12	0.70	,3750/ ,3790	575	4500
QR1574.I37-300-S	,373 5	,372 0	3/8	3.00	304 SS	0.44 0	0.56	0.93	0.94	0.365	1.12	0.70	,3750/ ,3790	575	4500
QR1574.I37-350-S	,373 5	,372 0	3/8	3.50	304 SS	0.44 0	0.56	0.93	0.94	0.365	1.12	0.70	,3750/ ,3790	575	4500
QR1574.I37-400-S	,373 5	,372 0	3/8	4.00	304 SS	0.44 0	0.56	0.93	0.94	0.365	1.12	0.70	,3750/ ,3790	575	4500
QR1574.I50-100-S	,498 5	,497 0	1/2	1.00	304 SS	0.59 4	0.72	1.30	1.12	0.460	1.41	0.85	,5000/ ,5050	1160	11500
QR1574.I50-125-S	,498 5	,497 0	1/2	1.25	304 SS	0.59 4	0.72	1.30	1.12	0.460	1.41	0.85	,5000/ ,5050	1160	11500
QR1574.I50-150-S	,498 5	,497 0	1/2	1.50	304 SS	0.59 4	0.72	1.30	1.12	0.460	1.41	0.85	,5000/ ,5050	1160	11500
QR1574.I50-175-S	,498 5	,497 0	1/2	1.75	304 SS	0.59 4	0.72	1.30	1.12	0.460	1.41	0.85	,5000/ ,5050	1160	11500
QR1574.I50-200-S	,498 5	,497 0	1/2	2.00	304 SS	0.59 4	0.72	1.30	1.12	0.460	1.41	0.85	,5000/ ,5050	1160	11500
QR1574.I50-250-S	,498 5	,497 0	1/2	2.50	304 SS	0.59 4	0.72	1.30	1.12	0.460	1.41	0.85	,5000/ ,5050	1160	11500
QR1574.I50-300-S	,498 5	,497 0	1/2	3.00	304 SS	0.59 4	0.72	1.30	1.12	0.460	1.41	0.85	,5000/ ,5050	1160	11500
QR1574.I50-350-S	,498 5	,497 0	1/2	3.50	304 SS	0.59 4	0.72	1.30	1.12	0.460	1.41	0.85	,5000/ ,5050	1160	11500
QR1574.I50-400-S	,498 5	,497 0	1/2	4.00	304 SS	0.59 4	0.72	1.30	1.12	0.460	1.41	0.85	,5000/ ,5050	1160	11500
QR1574.I50-450-S	,498 5	,497 0	1/2	4.50	304 SS	0.59 4	0.72	1.30	1.12	0.460	1.41	0.85	,5000/ ,5050	1160	11500
QR1574.I50-500-S	,498 5	,497 0	1/2	5.00	304 SS	0.59 4	0.72	1.30	1.12	0.460	1.41	0.85	,5000/ ,5050	1160	11500
QR1574.I50-550-S	,498 5	,497 0	1/2	5.50	304 SS	0.59 4	0.72	1.30	1.12	0.460	1.41	0.85	,5000/ ,5050	1160	11500

QUICK RELEASE PINS

Quick Release Pins

Quick Release Pins - Inch - Dome stainless pin - stainless handle



Order No.	d ₁ max.	d ₁ min.	d ₁ nom.	l ₁ grip +0.02 - -0.00	Material	d ₂ ±0.0 05	d ₃	d ₄	d ₅	l ₂ +0.000 - 0.030	l ₃	l ₄	Loc'n hole min. max.	Pull out strength lb min.	Calc. double shear lb
QR1574.I50-600-S	,498 5	,497 0	1/2	6.00	304 SS	0.59 4	0.72	1.30	1.12	0.460	1.41	0.85	,5000/ ,5050	1160	11500

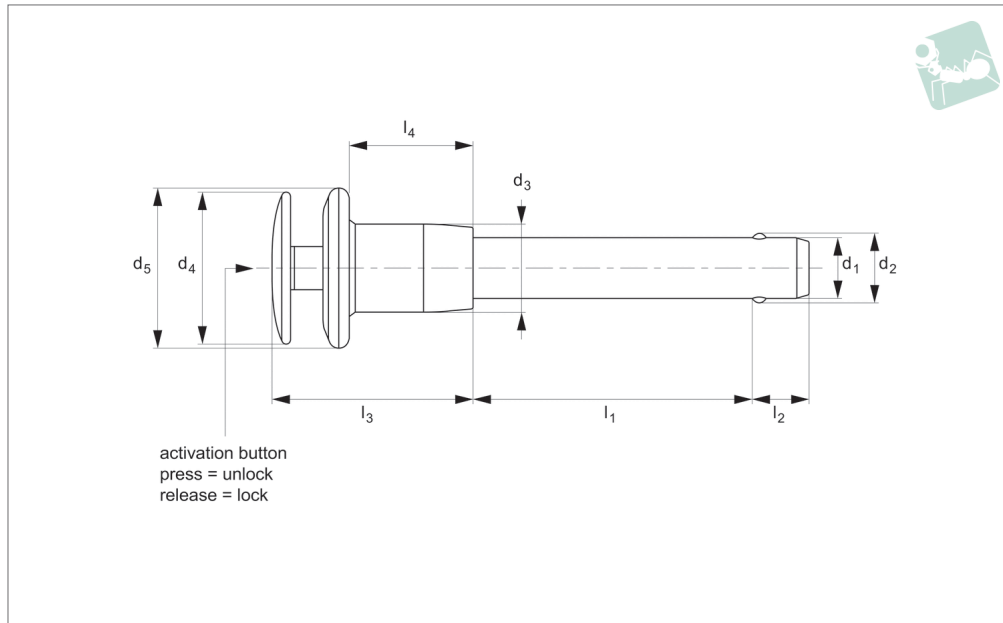
QUICK RELEASE PINS



Quick Release Pins - Inch - Dome

precipitation hardened stainless pin - stainless

Quick Release Pins



QR1576

QUICK RELEASE PINS

Material

Pin: stainless steel 17-4PH (DIN 1.4542, AISI 630), precipitation hardened, passivated. Tensile strength 1,300 N/mm² min. HRC 40. RoHS compliant.
Handle: stainless steel, AISI 303 (DIN 1.4305), passivated.
Actuator button: stainless steel, AISI 303 (DIN 1.4305), passivated.
Internal spindle, balls; from stainless

steel.

Technical Notes

Pressing = unlocking.
Releasing = locking.
Temperature range -30°C to +150°C
Use of split ring on this model is not advised, as may interfere with operation of activation button. Locating hole for attachment of wire lanyard is present to

enable securing of quick release pin to assembly.

Tips

For quick fastening and locking frequently repeated connections.
For lanyards & retaining cables see part nos. L to LA1224. For easy install locating bushes and end caps see part nos. LA1260 to LA1355.

Order No.	d ₁ max.	d ₁ min.	d ₁ nom.	l ₁ grip +0.02 - -0.00	Material	d ₂ ±0.0 05	d ₃	d ₄	d ₅	l ₂ +0.000 - -0.030	l ₃	l ₄	Loc'n hole min. max.	Pull out strength lb min.	Calc. double shear lb
QR1576.I18-050-T	.188 5	.187 0	3/16	0.50	17-4 PH	0.22 0	0.47	0.75	0.81	0.260	1.00	0.63	.1940/ .1900	200	5150
QR1576.I18-075-T	.188 5	.187 0	3/16	0.75	17-4 PH	0.22 0	0.47	0.75	0.81	0.260	1.00	0.63	.1900/ .1940	200	5150
QR1576.I18-100-T	.188 5	.187 0	3/16	1.00	17-4 PH	0.22 0	0.47	0.75	0.81	0.260	1.00	0.63	.1900/ .1940	200	5150
QR1576.I18-125-T	.188 5	.187 0	3/16	1.25	17-4 PH	0.22 0	0.47	0.75	0.81	0.260	1.00	0.63	.1900/ .1940	200	5150
QR1576.I18-150-T	.188 5	.187 0	3/16	1.50	17-4 PH	0.22 0	0.47	0.75	0.81	0.260	1.00	0.63	.1900/ .1940	200	5150
QR1576.I18-175-T	.188 5	.187 0	3/16	1.75	17-4 PH	0.22 0	0.47	0.75	0.81	0.260	1.00	0.63	.1900/ .1940	200	5150
QR1576.I18-200-T	.188 5	.187 0	3/16	2.00	17-4 PH	0.22 0	0.47	0.75	0.81	0.260	1.00	0.63	.1900/ .1940	200	5150
QR1576.I18-250-T	.188 5	.187 0	3/16	2.50	17-4 PH	0.22 0	0.47	0.75	0.81	0.260	1.00	0.63	.1900/ .1940	200	5150
QR1576.I18-300-T	.188 5	.187 0	3/16	3.00	17-4 PH	0.22 0	0.47	0.75	0.81	0.260	1.00	0.63	.1900/ .1940	200	5150
QR1576.I18-350-T	.188 5	.187 0	3/16	3.50	17-4 PH	0.22 0	0.47	0.75	0.81	0.260	1.00	0.63	.1900/ .1940	200	5150
QR1576.I18-400-T	.188 5	.187 0	3/16	4.00	17-4 PH	0.22 0	0.47	0.75	0.81	0.260	1.00	0.63	.1900/ .1940	200	5150
QR1576.I25-050-T	.248 5	.247 0	1/4	0.50	17-4 PH	0.28 9	0.47	0.75	0.81	0.290	1.00	0.63	.2500/ .2540	230	9200

Quick Release Pins

Quick Release Pins - Inch - Dome

precipitation hardened stainless pin - stainless



QUICK RELEASE PINS

Order No.	d ₁ max.	d ₁ min.	d ₁ nom.	l ₁ grip +0.02 - -0.00	Material	d ₂ ±0.0 05	d ₃	d ₄	d ₅	l ₂ +0.000 - -0.030	l ₃	l ₄	Loc'n hole min. max.	Pull out strength lb min.	Calc. double shear lb
QR1576.I25-075-T	,248 5	,247 0	1/4	0.75	17-4 PH	0.28 9	0.47	0.75	0.81	0.290	1.00	0.63	,2500/ ,2540	230	9200
QR1576.I25-100-T	,248 5	,247 0	1/4	1.00	17-4 PH	0.28 9	0.47	0.75	0.81	0.290	1.00	0.63	,2500/ ,2540	230	9200
QR1576.I25-125-T	,248 5	,247 0	1/4	1.25	17-4 PH	0.28 9	0.47	0.75	0.81	0.290	1.00	0.63	,2500/ ,2540	230	9200
QR1576.I25-150-T	,248 5	,247 0	1/4	1.50	17-4 PH	0.28 9	0.47	0.75	0.81	0.290	1.00	0.63	,2500/ ,2540	230	9200
QR1576.I25-175-T	,248 5	,247 0	1/4	1.75	17-4 PH	0.28 9	0.47	0.75	0.81	0.290	1.00	0.63	,2500/ ,2540	230	9200
QR1576.I25-200-T	,248 5	,247 0	1/4	2.00	17-4 PH	0.28 9	0.47	0.75	0.81	0.290	1.00	0.63	,2500/ ,2540	230	9200
QR1576.I25-250-T	,248 5	,247 0	1/4	2.50	17-4 PH	0.28 9	0.47	0.75	0.81	0.290	1.00	0.63	,2500/ ,2540	230	9200
QR1576.I25-300-T	,248 5	,247 0	1/4	3.00	17-4 PH	0.28 9	0.47	0.75	0.81	0.290	1.00	0.63	,2500/ ,2540	230	9200
QR1576.I25-350-T	,248 5	,247 0	1/4	3.50	17-4 PH	0.28 9	0.47	0.75	0.81	0.290	1.00	0.63	,2500/ ,2540	230	9200
QR1576.I25-400-T	,248 5	,247 0	1/4	4.00	17-4 PH	0.28 9	0.47	0.75	0.81	0.290	1.00	0.63	,2500/ ,2540	230	9200
QR1576.I31-050-T	,311 0	,309 5	5/16	0.50	17-4 PH	0.37 5	0.47	0.75	0.81	0.330	1.00	0.63	,3125/ ,3165	510	14400
QR1576.I31-075-T	,311 0	,309 5	5/16	0.75	17-4 PH	0.37 5	0.47	0.75	0.81	0.330	1.00	0.63	,3125/ ,3165	510	14400
QR1576.I31-100-T	,311 0	,309 5	5/16	1.00	17-4 PH	0.37 5	0.47	0.75	0.81	0.330	1.00	0.63	,3125/ ,3165	510	14400
QR1576.I31-125-T	,311 0	,309 5	5/16	1.25	17-4 PH	0.37 5	0.47	0.75	0.81	0.330	1.00	0.63	,3125/ ,3165	510	14400
QR1576.I31-150-T	,311 0	,309 5	5/16	1.50	17-4 PH	0.37 5	0.47	0.75	0.81	0.330	1.00	0.63	,3125/ ,3165	510	14400
QR1576.I31-175-T	,311 0	,309 5	5/16	1.75	17-4 PH	0.37 5	0.47	0.75	0.81	0.330	1.00	0.63	,3125/ ,3165	510	14400
QR1576.I31-200-T	,311 0	,309 5	5/16	2.00	17-4 PH	0.37 5	0.47	0.75	0.81	0.330	1.00	0.63	,3125/ ,3165	510	14400
QR1576.I31-250-T	,311 0	,309 5	5/16	2.50	17-4 PH	0.37 5	0.47	0.75	0.81	0.330	1.00	0.63	,3125/ ,3165	510	14400
QR1576.I31-300-T	,311 0	,309 5	5/16	3.00	17-4 PH	0.37 5	0.47	0.75	0.81	0.330	1.00	0.63	,3125/ ,3165	510	14400
QR1576.I31-350-T	,311 0	,309 5	5/16	3.50	17-4 PH	0.37 5	0.47	0.75	0.81	0.330	1.00	0.63	,3125/ ,3165	510	14400
QR1576.I31-400-T	,311 0	,309 5	5/16	4.00	17-4 PH	0.37 5	0.47	0.75	0.81	0.330	1.00	0.63	,3125/ ,3165	510	14400
QR1576.I37-050-T	,373 5	,372 0	3/8	0.50	17-4 PH	0.44 0	0.56	0.93	1.00	0.365	1.12	0.70	,3750/ ,3790	575	20600
QR1576.I37-075-T	,373 5	,372 0	3/8	0.75	17-4 PH	0.44 0	0.56	0.93	1.00	0.365	1.12	0.70	,3750/ ,3790	575	20600
QR1576.I37-100-T	,373 5	,372 0	3/8	1.00	17-4 PH	0.44 0	0.56	0.93	1.00	0.365	1.12	0.70	,3750/ ,3790	575	20600
QR1576.I37-125-T	,373 5	,372 0	3/8	1.25	17-4 PH	0.44 0	0.56	0.93	1.00	0.365	1.12	0.70	,3750/ ,3790	575	20600
QR1576.I37-150-T	,373 5	,372 0	3/8	1.50	17-4 PH	0.44 0	0.56	0.93	1.00	0.365	1.12	0.70	,3750/ ,3790	575	20600
QR1576.I37-175-T	,373 5	,372 0	3/8	1.75	17-4 PH	0.44 0	0.56	0.93	1.00	0.365	1.12	0.70	,3750/ ,3790	575	20600
QR1576.I37-200-T	,373 5	,372 0	3/8	2.00	17-4 PH	0.44 0	0.56	0.93	1.00	0.365	1.12	0.70	,3750/ ,3790	575	20600
QR1576.I37-250-T	,373 5	,372 0	3/8	2.50	17-4 PH	0.44 0	0.56	0.93	1.00	0.365	1.12	0.70	,3750/ ,3790	575	20600
QR1576.I37-300-T	,373 5	,372 0	3/8	3.00	17-4 PH	0.44 0	0.56	0.93	1.00	0.365	1.12	0.70	,3750/ ,3790	575	20600
QR1576.I37-350-T	,373 5	,372 0	3/8	3.50	17-4 PH	0.44 0	0.56	0.93	1.00	0.365	1.12	0.70	,3750/ ,3790	575	20600
QR1576.I37-400-T	,373 5	,372 0	3/8	4.00	17-4 PH	0.44 0	0.56	0.93	1.00	0.365	1.12	0.70	,3750/ ,3790	575	20600
QR1576.I50-100-T	,498 5	,497 0	1/2	1.00	17-4 PH	0.59 4	0.72	1.30	1.37	0.460	1.41	0.85	,5000/ ,5050	1160	36800



Quick Release Pins - Inch - Dome

precipitation hardened stainless pin - stainless

Quick Release Pins

Order No.	d ₁ max.	d ₁ min.	d ₁ nom.	l ₁ grip +0.02 - -0.00	Material	d ₂ ±0.0 05	d ₃	d ₄	d ₅	l ₂ +0.000 - -0.030	l ₃	l ₄	Loc'n hole min. max.	Pull out strength lb min.	Calc. double shear lb
QR1576.I50-125-T	.498 5	.497 0	1/2	1.25	17-4 PH	0.59 4	0.72	1.30	1.37	0.460	1.41	0.85	.5000/ .5050	1160	36800
QR1576.I50-150-T	.498 5	.497 0	1/2	1.50	17-4 PH	0.59 4	0.72	1.30	1.37	0.460	1.41	0.85	.5000/ .5050	1160	36800
QR1576.I50-175-T	.498 5	.497 0	1/2	1.75	17-4 PH	0.59 4	0.72	1.30	1.37	0.460	1.41	0.85	.5000/ .5050	1160	36800
QR1576.I50-200-T	.498 5	.497 0	1/2	2.00	17-4 PH	0.59 4	0.72	1.30	1.37	0.460	1.41	0.85	.5000/ .5050	1160	36800
QR1576.I50-250-T	.498 5	.497 0	1/2	2.50	17-4 PH	0.59 4	0.72	1.30	1.37	0.460	1.41	0.85	.5000/ .5050	1160	36800
QR1576.I50-300-T	.498 5	.497 0	1/2	3.00	17-4 PH	0.59 4	0.72	1.30	1.37	0.460	1.41	0.85	.5000/ .5050	1160	36800
QR1576.I50-350-T	.498 5	.497 0	1/2	3.50	17-4 PH	0.59 4	0.72	1.30	1.37	0.460	1.41	0.85	.5000/ .5050	1160	36800
QR1576.I50-400-T	.498 5	.497 0	1/2	4.00	17-4 PH	0.59 4	0.72	1.30	1.37	0.460	1.41	0.85	.5000/ .5050	1160	36800
QR1576.I50-450-T	.498 5	.497 0	1/2	4.50	17-4 PH	0.59 4	0.72	1.30	1.37	0.460	1.41	0.85	.5000/ .5050	1160	36800
QR1576.I50-500-T	.498 5	.497 0	1/2	5.00	17-4 PH	0.59 4	0.72	1.30	1.37	0.460	1.41	0.85	.5000/ .5050	1160	36800
QR1576.I50-550-T	.498 5	.497 0	1/2	5.50	17-4 PH	0.59 4	0.72	1.30	1.37	0.460	1.41	0.85	.5000/ .5050	1160	36800
QR1576.I50-600-T	.498 5	.497 0	1/2	6.00	17-4 PH	0.59 4	0.72	1.30	1.37	0.460	1.41	0.85	.5000/ .5050	1160	36800

QUICK RELEASE PINS