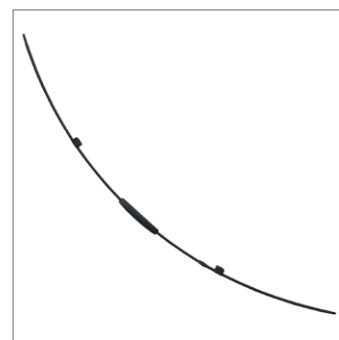
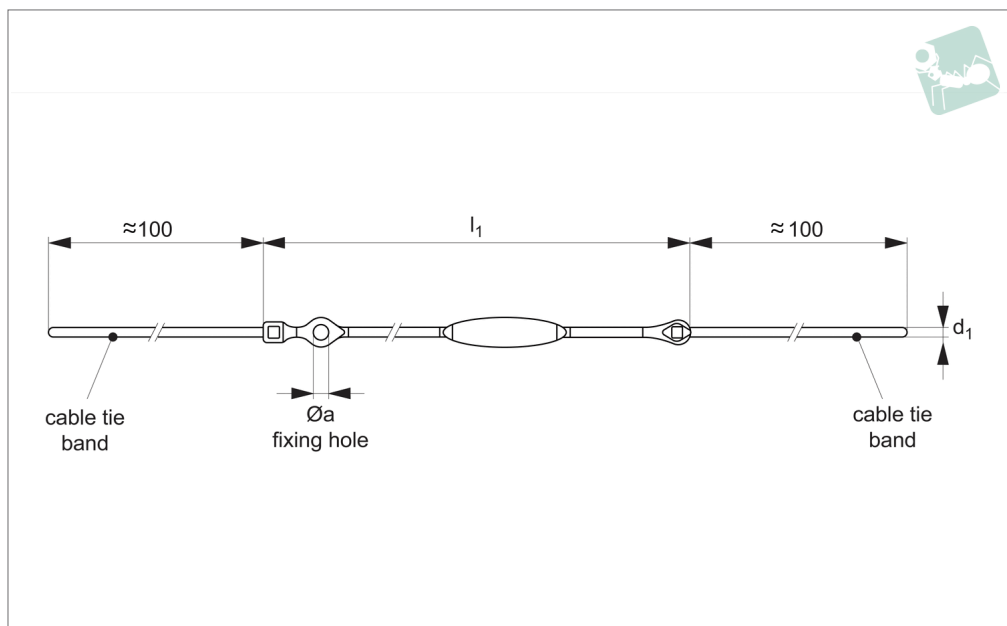




Lanyard - Cable Tie Loop

thermoplastic

Lanyards



LA1082

LANYARDS

Material

Thermoplastic PA6, grey.

Technical Notes

Temperature range up to 80°C offers two

fixing alternatives:

- Cable tie at both ends
- Cable tie one end and fixing hole at other to secure with M4 screw.

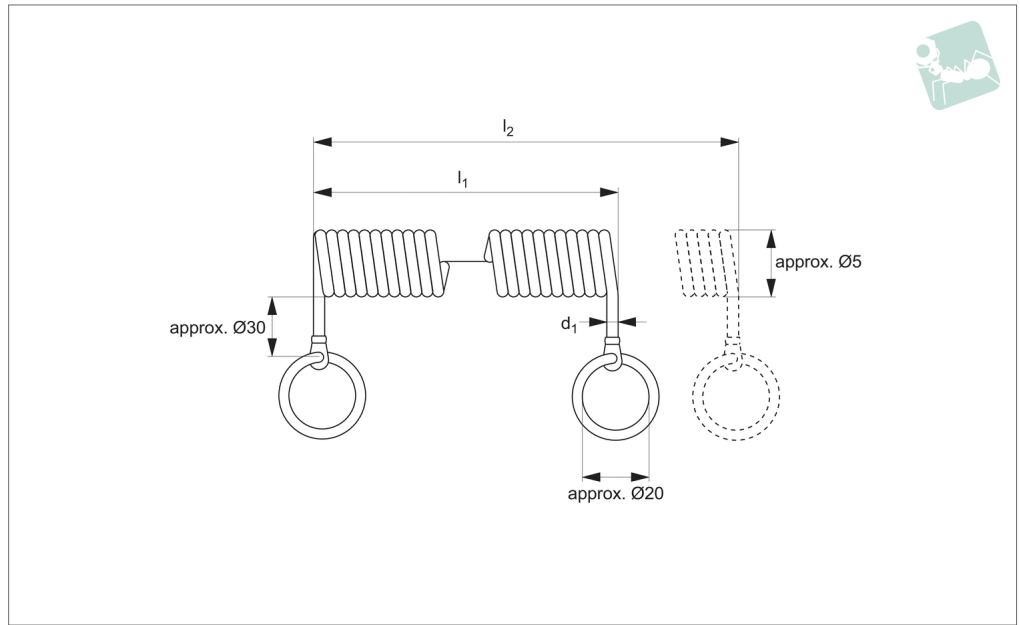
Tips

For use in securing components to assemblies, or to avoid items being misplaced.

| Order No. | Coating | d ₁ | l ₁ | Ø a | Weight g |
|------------------|---------|----------------|----------------|-----|----------|
| LA1082.M015-150N | n/a | 2.5 | 150 | 4.2 | 2.1 |
| LA1082.M015-250N | n/a | 2.5 | 250 | 4.2 | 2.7 |



LA1092



Material

Wire rope: steel.
 Coating: PUR, thermoplastic.
 Eyelet: brass, zinc plated.
 Split ring: stainless steel.

Technical Notes

Temperature range up to 80°C. Coiled

sprung wire offers high extended length in a compact design.

Tips

For use in securing components to assemblies, or to avoid items being misplaced.
 For our wide range of quick release pins, part nos. 33060 to 33226.

| Order No. | PUR coating | d ₁ | l ₁ retracted | l ₂ extended | Weight g |
|------------------|-------------|----------------|--------------------------|-------------------------|----------|
| LA1092.M015-100B | Black | 1.5 | 100 | 600 | 11.5 |
| LA1092.M015-200B | Black | 1.5 | 200 | 1200 | 17.4 |