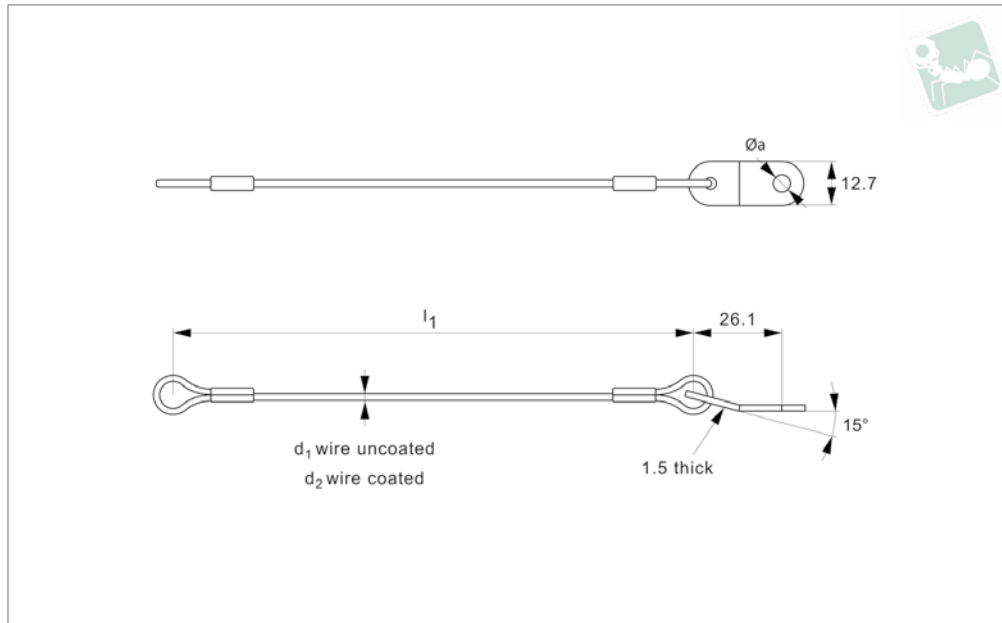




Lanyard - Loop to Rectangular Tab

tab stainless - crimps copper, zinc plated

Lanyards



LA1015

LANYARDS

Material

Wire rope: stainless steel 7x7 wire, RR-W-410.
 Coating (if present): vinyl (to MIL-I-631), see table.
 Crimps/Sleeves: Copper, Zinc plated (to MIL-51844).
 Tabs: stainless steel, 300 Series (ASTM AA240/A666)

strength, for unassembled, uncoated wire thickness $\varnothing d_1$:
 $\varnothing d_1$ of 1.2mm = 120kg approx.
 $\varnothing d_1$ of 1.6mm = 210kg approx.
 Load rating of assembled and crimped lanyard is based on crimp failure test of approx. 13kg.
 Temperature resistance:
 -Uncoated – up to + 250°c
 -Coated – 0°c to 80°c

lies, or to avoid items being misplaced. Special manufacture lanyards available on request, subject to minimum quantities. For our wide range of quick release pins see part nos. QR1004 through QR5590. For split rings see part no. LA1260.

Technical Notes

Rated wire strength, or min. breaking

Tips

For use in securing components to assemb-

Order No.	Vinyl coating	d_1 wire uncoated	l_1	d_2 wire coated	$\varnothing a$
LA1015.I04-152C1	Clear	1.19	152.4	1.59	5.1
LA1015.I04-203C1	Clear	1.19	203.2	1.59	5.1
LA1015.I04-254C1	Clear	1.19	254.0	1.59	5.1
LA1015.I04-304C1	Clear	1.19	304.8	1.59	5.1
LA1015.I04-152C2	Clear	1.19	152.4	1.59	7.1
LA1015.I04-203C2	Clear	1.19	203.2	1.59	7.1
LA1015.I04-254C2	Clear	1.19	254.0	1.59	7.1
LA1015.I04-304C2	Clear	1.19	304.8	1.59	7.1
LA1015.I06-152C1	Clear	1.59	152.4	3.18	5.1
LA1015.I06-203C1	Clear	1.59	203.2	3.18	5.1
LA1015.I06-254C1	Clear	1.59	254.0	3.18	5.1
LA1015.I06-304C1	Clear	1.59	304.8	3.18	5.1
LA1015.I06-152C2	Clear	1.59	152.4	3.18	7.1
LA1015.I06-203C2	Clear	1.59	203.2	3.18	7.1
LA1015.I06-254C2	Clear	1.59	254.0	3.18	7.1
LA1015.I06-304C2	Clear	1.59	304.8	3.18	7.1
LA1015.I04-152B1	Black	1.19	152.4	1.59	5.1
LA1015.I04-203B1	Black	1.19	203.2	1.59	5.1
LA1015.I04-254B1	Black	1.19	254.0	1.59	5.1
LA1015.I04-304B1	Black	1.19	304.8	1.59	5.1
LA1015.I04-152B2	Black	1.19	152.4	1.59	7.1
LA1015.I04-203B2	Black	1.19	203.2	1.59	7.1
LA1015.I04-254B2	Black	1.19	254.0	1.59	7.1
LA1015.I04-304B2	Black	1.19	304.8	1.59	7.1
LA1015.I06-152B1	Black	1.59	152.4	3.18	5.1



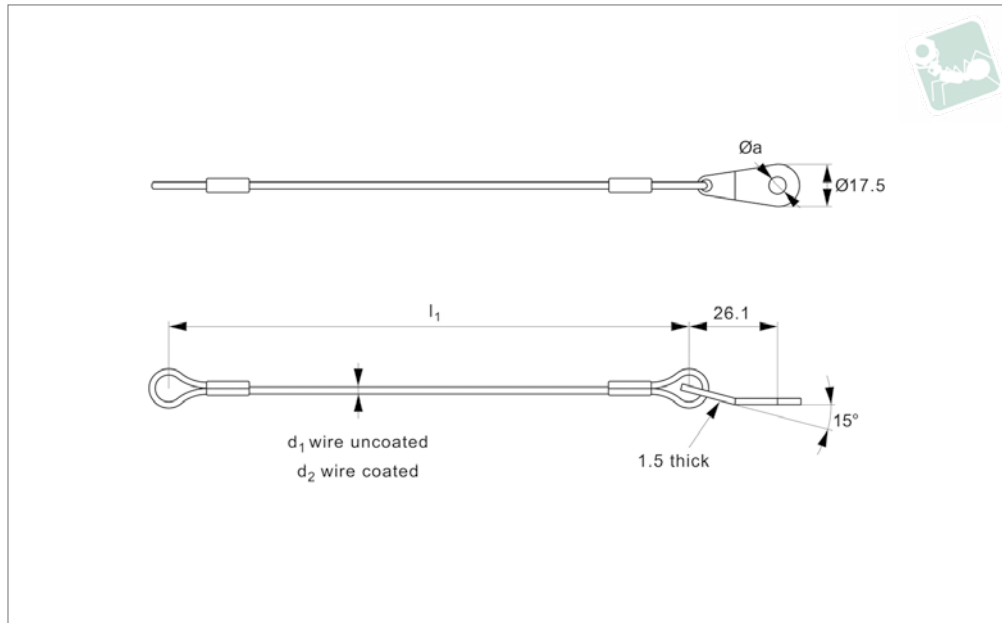
Order No.	Vinyl coating	d ₁ wire uncoated	l ₁	d ₂ wire coated	Ø a
LA1015.I06-203B1	Black	1.59	203.2	3.18	5.1
LA1015.I06-254B1	Black	1.59	254.0	3.18	5.1
LA1015.I06-304B1	Black	1.59	304.8	3.18	5.1
LA1015.I06-152B2	Black	1.59	152.4	3.18	7.1
LA1015.I06-203B2	Black	1.59	203.2	3.18	7.1
LA1015.I06-254B2	Black	1.59	254.0	3.18	7.1
LA1015.I06-304B2	Black	1.59	304.8	3.18	7.1
LA1015.I04-152G1	Green	1.19	152.4	1.59	5.1
LA1015.I04-203G1	Green	1.19	203.2	1.59	5.1
LA1015.I04-254G1	Green	1.19	254.0	1.59	5.1
LA1015.I04-304G1	Green	1.19	304.8	1.59	5.1
LA1015.I04-152G2	Green	1.19	152.4	1.59	7.1
LA1015.I04-203G2	Green	1.19	203.2	1.59	7.1
LA1015.I04-254G2	Green	1.19	254.0	1.59	7.1
LA1015.I04-304G2	Green	1.19	304.8	1.59	7.1
LA1015.I06-152G1	Green	1.59	152.4	3.18	5.1
LA1015.I06-203G1	Green	1.59	203.2	3.18	5.1
LA1015.I06-254G1	Green	1.59	254.0	3.18	5.1
LA1015.I06-304G1	Green	1.59	304.8	3.18	5.1
LA1015.I06-152G2	Green	1.59	152.4	3.18	7.1
LA1015.I06-203G2	Green	1.59	203.2	3.18	7.1
LA1015.I06-254G2	Green	1.59	254.0	3.18	7.1
LA1015.I06-304G2	Green	1.59	304.8	3.18	7.1
LA1015.I04-152N1	Uncoated	1.19	152.4	-	5.1
LA1015.I04-203N1	Uncoated	1.19	203.2	-	5.1
LA1015.I04-254N1	Uncoated	1.19	254.0	-	5.1
LA1015.I04-304N1	Uncoated	1.19	304.8	-	5.1
LA1015.I04-152N2	Uncoated	1.19	152.4	-	7.1
LA1015.I04-203N2	Uncoated	1.19	203.2	-	7.1
LA1015.I04-254N2	Uncoated	1.19	254.0	-	7.1
LA1015.I04-304N2	Uncoated	1.19	304.8	-	7.1
LA1015.I06-152N1	Uncoated	1.59	152.4	-	5.1
LA1015.I06-203N1	Uncoated	1.59	203.2	-	5.1
LA1015.I06-254N1	Uncoated	1.59	254.0	-	5.1
LA1015.I06-304N1	Uncoated	1.59	304.8	-	5.1
LA1015.I06-152N2	Uncoated	1.59	152.4	-	7.1
LA1015.I06-203N2	Uncoated	1.59	203.2	-	7.1
LA1015.I06-254N2	Uncoated	1.59	254.0	-	7.1
LA1015.I06-304N2	Uncoated	1.59	304.8	-	7.1



Lanyard - Loop to Teardrop Tab

tab and crimps stainless steel

Lanyards



LA1050

LANYARDS

Material

Wire rope: stainless steel 7x7 wire, RR-W-410.
 Coating (if present): vinyl (to MIL-I-631), see table.
 Crimps/sleeves: stainless steel (to MIL-51844).
 Tabs: stainless steel, 300 Series (ASTM AA240/A666)

Technical Notes

Rated wire strength, or min. breaking

strength, for unassembled, uncoated wire thickness $\text{Ø}d_1$:
 $\text{Ø}d_1$ of 1.2mm = 120kg approx.
 $\text{Ø}d_1$ of 1.6mm = 210kg approx.
 Load rating of assembled and crimped lanyard is based on crimp failure test of approx. 13kg.
 Temperature resistance:
 -Uncoated – up to + 250°c
 -Coated – 0°c to 80°c

Tips

For use in securing components to assemblies, or to avoid items being misplaced. Special manufacture lanyards available on request, subject to minimum quantities. For our wide range of quick release pins see part nos. QR1004 through QR5590. For split rings see part no. LA1260.

Order No.	Vinyl coating	d_1 wire uncoated	l_1	d_2 wire coated	$\text{Ø} a$
LA1050.I04-152C1	Clear	1.19	152.4	1.59	5.1
LA1050.I04-203C1	Clear	1.19	203.2	1.59	5.1
LA1050.I04-254C1	Clear	1.19	254.0	1.59	5.1
LA1050.I04-304C1	Clear	1.19	304.8	1.59	5.1
LA1050.I04-152C2	Clear	1.19	152.4	1.59	7.1
LA1050.I04-203C2	Clear	1.19	203.2	1.59	7.1
LA1050.I04-254C2	Clear	1.19	254.0	1.59	7.1
LA1050.I04-304C2	Clear	1.19	304.8	1.59	7.1
LA1050.I06-152C1	Clear	1.59	152.4	3.18	5.1
LA1050.I06-203C1	Clear	1.59	203.2	3.18	5.1
LA1050.I06-254C1	Clear	1.59	254.0	3.18	5.1
LA1050.I06-304C1	Clear	1.59	304.8	3.18	5.1
LA1050.I06-152C2	Clear	1.59	152.4	3.18	7.1
LA1050.I06-203C2	Clear	1.59	203.2	3.18	7.1
LA1050.I06-254C2	Clear	1.59	254.0	3.18	7.1
LA1050.I06-304C2	Clear	1.59	304.8	3.18	7.1
LA1050.I04-152B1	Black	1.19	152.4	1.59	5.1
LA1050.I04-203B1	Black	1.19	203.2	1.59	5.1
LA1050.I04-254B1	Black	1.19	254.0	1.59	5.1
LA1050.I04-304B1	Black	1.19	304.8	1.59	5.1
LA1050.I04-152B2	Black	1.19	152.4	1.59	7.1
LA1050.I04-203B2	Black	1.19	203.2	1.59	7.1
LA1050.I04-254B2	Black	1.19	254.0	1.59	7.1
LA1050.I04-304B2	Black	1.19	304.8	1.59	7.1
LA1050.I06-152B1	Black	1.59	152.4	3.18	5.1
LA1050.I06-203B1	Black	1.59	203.2	3.18	5.1



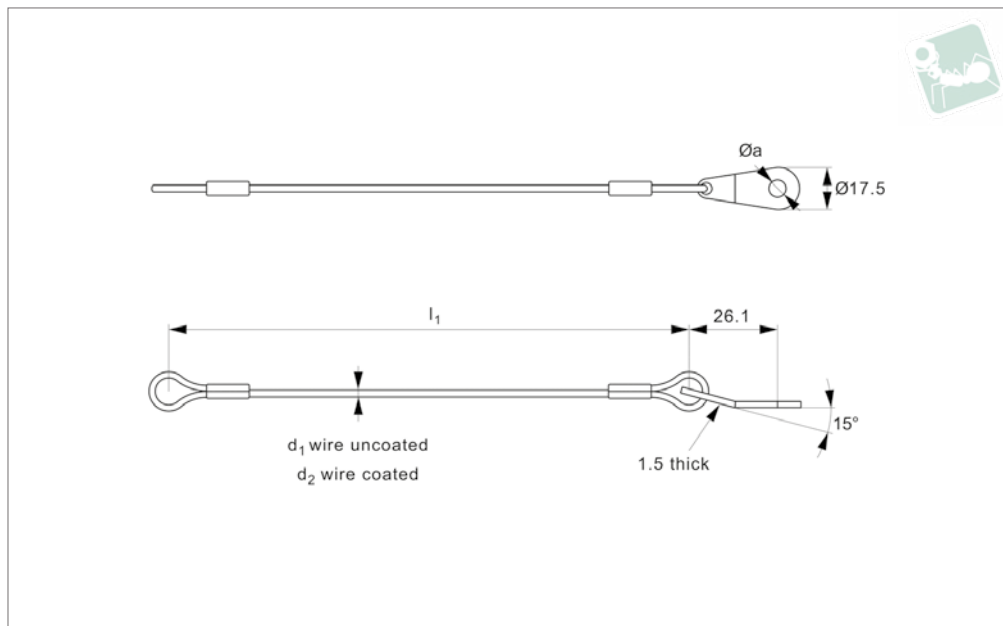
Order No.	Vinyl coating	d ₁ wire uncoated	l ₁	d ₂ wire coated	Ø a
LA1050.I06-254B1	Black	1.59	254.0	3.18	5.1
LA1050.I06-304B1	Black	1.59	304.8	3.18	5.1
LA1050.I06-152B2	Black	1.59	152.4	3.18	7.1
LA1050.I06-203B2	Black	1.59	203.2	3.18	7.1
LA1050.I06-254B2	Black	1.59	254.0	3.18	7.1
LA1050.I06-304B2	Black	1.59	304.8	3.18	7.1
LA1050.I04-152G1	Green	1.19	152.4	1.59	5.1
LA1050.I04-203G1	Green	1.19	203.2	1.59	5.1
LA1050.I04-254G1	Green	1.19	254.0	1.59	5.1
LA1050.I04-304G1	Green	1.19	304.8	1.59	5.1
LA1050.I04-152G2	Green	1.19	152.4	1.59	7.1
LA1050.I04-203G2	Green	1.19	203.2	1.59	7.1
LA1050.I04-254G2	Green	1.19	254.0	1.59	7.1
LA1050.I04-304G2	Green	1.19	304.8	1.59	7.1
LA1050.I06-152G1	Green	1.59	152.4	3.18	5.1
LA1050.I06-203G1	Green	1.59	203.2	3.18	5.1
LA1050.I06-254G1	Green	1.59	254.0	3.18	5.1
LA1050.I06-304G1	Green	1.59	304.8	3.18	5.1
LA1050.I06-152G2	Green	1.59	152.4	3.18	7.1
LA1050.I06-203G2	Green	1.59	203.2	3.18	7.1
LA1050.I06-254G2	Green	1.59	254.0	3.18	7.1
LA1050.I06-304G2	Green	1.59	304.8	3.18	7.1
LA1050.I04-152N1	Uncoated	1.19	152.4	-	5.1
LA1050.I04-203N1	Uncoated	1.19	203.2	-	5.1
LA1050.I04-254N1	Uncoated	1.19	254.0	-	5.1
LA1050.I04-304N1	Uncoated	1.19	304.8	-	5.1
LA1050.I04-152N2	Uncoated	1.19	152.4	-	7.1
LA1050.I04-203N2	Uncoated	1.19	203.2	-	7.1
LA1050.I04-254N2	Uncoated	1.19	254.0	-	7.1
LA1050.I04-304N2	Uncoated	1.19	304.8	-	7.1
LA1050.I06-152N1	Uncoated	1.59	152.4	-	5.1
LA1050.I06-203N1	Uncoated	1.59	203.2	-	5.1
LA1050.I06-254N1	Uncoated	1.59	254.0	-	5.1
LA1050.I06-304N1	Uncoated	1.59	304.8	-	5.1
LA1050.I06-152N2	Uncoated	1.59	152.4	-	7.1
LA1050.I06-203N2	Uncoated	1.59	203.2	-	7.1
LA1050.I06-254N2	Uncoated	1.59	254.0	-	7.1
LA1050.I06-304N2	Uncoated	1.59	304.8	-	7.1



Lanyard - Loop to Teardrop Tab

tab stainless - crimps copper, zinc plated

Lanyards



LA1055

LANYARDS

Material

Wire rope: stainless steel 7x7 wire, RR-W-410.
 Coating (if present): vinyl (to MIL-I-631), see table.
 Crimps/Sleeves: Copper, Zinc plated (to MIL-51844).
 Tabs: stainless steel, 300 Series (ASTM AA240/A666)

Technical Notes

Rated wire strength, or min. breaking

strength, for unassembled, uncoated wire thickness $\text{Ø}d_1$:
 $\text{Ø}d_1$ of 1.2mm = 120kg approx.
 $\text{Ø}d_1$ of 1.6mm = 210kg approx.
 Load rating of assembled and crimped lanyard is based on crimp failure test of approx. 13kg.
 Temperature resistance:
 -Uncoated – up to + 250°c
 -Coated – 0°c to 80°c

Tips

For use in securing components to assemblies, or to avoid items being misplaced. Special manufacture lanyards available on request, subject to minimum quantities. For our wide range of quick release pins see part nos. QR1004 through QR5590. For split rings see part no. LA1260.

Order No.	Vinyl coating	d_1 wire uncoated	l_1	d_2 wire coated	$\text{Ø} a$
LA1055.I04-152C1	Clear	1.19	152.4	1.59	5.1
LA1055.I04-203C1	Clear	1.19	203.2	1.59	5.1
LA1055.I04-254C1	Clear	1.19	254.0	1.59	5.1
LA1055.I04-304C1	Clear	1.19	304.8	1.59	5.1
LA1055.I04-152C2	Clear	1.19	152.4	1.59	7.1
LA1055.I04-203C2	Clear	1.19	203.2	1.59	7.1
LA1055.I04-254C2	Clear	1.19	254.0	1.59	7.1
LA1055.I04-304C2	Clear	1.19	304.8	1.59	7.1
LA1055.I06-152C1	Clear	1.59	152.4	3.18	5.1
LA1055.I06-203C1	Clear	1.59	203.2	3.18	5.1
LA1055.I06-254C1	Clear	1.59	254.0	3.18	5.1
LA1055.I06-304C1	Clear	1.59	304.8	3.18	5.1
LA1055.I06-152C2	Clear	1.59	152.4	3.18	7.1
LA1055.I06-203C2	Clear	1.59	203.2	3.18	7.1
LA1055.I06-254C2	Clear	1.59	254.0	3.18	7.1
LA1055.I06-304C2	Clear	1.59	304.8	3.18	7.1
LA1055.I04-152B1	Black	1.19	152.4	1.59	5.1
LA1055.I04-203B1	Black	1.19	203.2	1.59	5.1
LA1055.I04-254B1	Black	1.19	254.0	1.59	5.1
LA1055.I04-304B1	Black	1.19	304.8	1.59	5.1
LA1055.I04-152B2	Black	1.19	152.4	1.59	7.1
LA1055.I04-203B2	Black	1.19	203.2	1.59	7.1
LA1055.I04-254B2	Black	1.19	254.0	1.59	7.1
LA1055.I04-304B2	Black	1.19	304.8	1.59	7.1
LA1055.I06-152B1	Black	1.59	152.4	3.18	5.1
LA1055.I06-203B1	Black	1.59	203.2	3.18	5.1



Order No.	Vinyl coating	d ₁ wire uncoated	l ₁	d ₂ wire coated	Ø a
LA1055.I06-254B1	Black	1.59	254.0	3.18	5.1
LA1055.I06-304B1	Black	1.59	304.8	3.18	5.1
LA1055.I06-152B2	Black	1.59	152.4	3.18	7.1
LA1055.I06-203B2	Black	1.59	203.2	3.18	7.1
LA1055.I06-254B2	Black	1.59	254.0	3.18	7.1
LA1055.I06-304B2	Black	1.59	304.8	3.18	7.1
LA1055.I04-152G1	Green	1.19	152.4	1.59	5.1
LA1055.I04-203G1	Green	1.19	203.2	1.59	5.1
LA1055.I04-254G1	Green	1.19	254.0	1.59	5.1
LA1055.I04-304G1	Green	1.19	304.8	1.59	5.1
LA1055.I04-152G2	Green	1.19	152.4	1.59	7.1
LA1055.I04-203G2	Green	1.19	203.2	1.59	7.1
LA1055.I04-254G2	Green	1.19	254.0	1.59	7.1
LA1055.I04-304G2	Green	1.19	304.8	1.59	7.1
LA1055.I06-152G1	Green	1.59	152.4	3.18	5.1
LA1055.I06-203G1	Green	1.59	203.2	3.18	5.1
LA1055.I06-254G1	Green	1.59	254.0	3.18	5.1
LA1055.I06-304G1	Green	1.59	304.8	3.18	5.1
LA1055.I06-152G2	Green	1.59	152.4	3.18	7.1
LA1055.I06-203G2	Green	1.59	203.2	3.18	7.1
LA1055.I06-254G2	Green	1.59	254.0	3.18	7.1
LA1055.I06-304G2	Green	1.59	304.8	3.18	7.1
LA1055.I04-152N1	Uncoated	1.19	152.4	-	5.1
LA1055.I04-203N1	Uncoated	1.19	203.2	-	5.1
LA1055.I04-254N1	Uncoated	1.19	254.0	-	5.1
LA1055.I04-304N1	Uncoated	1.19	304.8	-	5.1
LA1055.I04-152N2	Uncoated	1.19	152.4	-	7.1
LA1055.I04-203N2	Uncoated	1.19	203.2	-	7.1
LA1055.I04-254N2	Uncoated	1.19	254.0	-	7.1
LA1055.I04-304N2	Uncoated	1.19	304.8	-	7.1
LA1055.I06-152N1	Uncoated	1.59	152.4	-	5.1
LA1055.I06-203N1	Uncoated	1.59	203.2	-	5.1
LA1055.I06-254N1	Uncoated	1.59	254.0	-	5.1
LA1055.I06-304N1	Uncoated	1.59	304.8	-	5.1
LA1055.I06-152N2	Uncoated	1.59	152.4	-	7.1
LA1055.I06-203N2	Uncoated	1.59	203.2	-	7.1
LA1055.I06-254N2	Uncoated	1.59	254.0	-	7.1
LA1055.I06-304N2	Uncoated	1.59	304.8	-	7.1

Lanyard - Loop to Loop

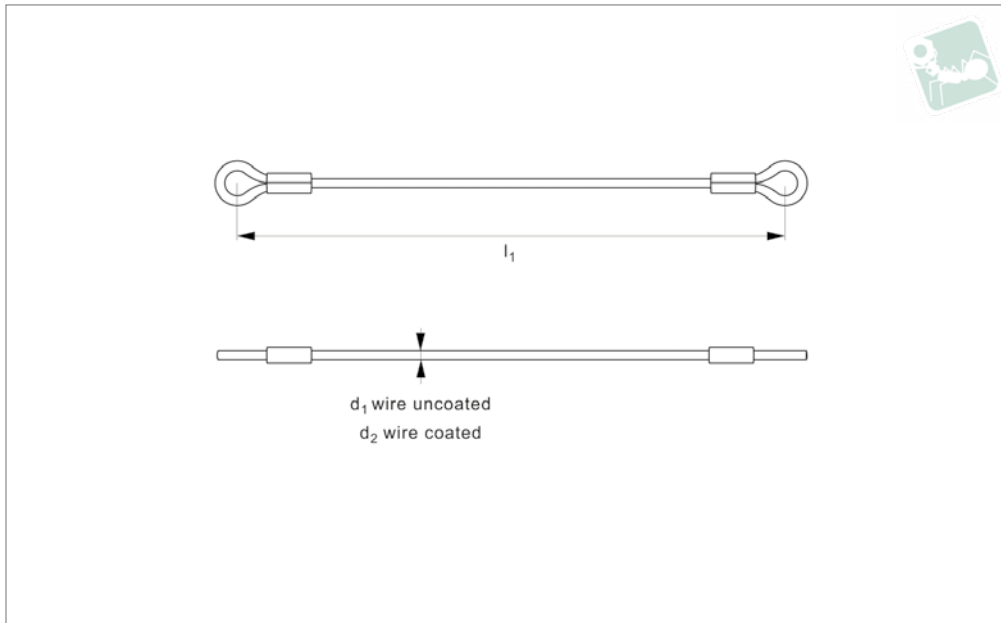
crimps copper, zinc plated

Lanyards



LA1065

LANYARDS



Material

Wire rope: stainless steel 7x7 wire, RR-W-410.

Coating (if present): vinyl (to MIL-I-631), see table.

Crimps/sleeves: Copper, Zinc plated (to MIL-51844).

Technical Notes

Rated wire strength, or min. breaking

strength, for unassembled, uncoated wire thickness $\varnothing d_1$:

$\varnothing d_1$ of 1.2mm = 120kg approx.

$\varnothing d_1$ of 1.6mm = 210kg approx.

Load rating of assembled and crimped lanyard is based on crimp failure test of approx. 13kg.

Temperature resistance:

-Uncoated – up to + 250°c

-Coated – 0°c to 80°c

Tips

For use in securing components to assemblies, or to avoid items being misplaced. Special manufacture lanyards available on request, subject to minimum quantities.

For our wide range of quick release pins see part nos. QR1004 through QR5590. For split rings see part no. LA1260.

Order No.	Vinyl coating	d_1 wire uncoated	l_1	d_2 wire coated
LA1065.I04-152C1	Clear	1.19	152.4	1.59
LA1065.I04-203C1	Clear	1.19	203.2	1.59
LA1065.I04-254C1	Clear	1.19	254.0	1.59
LA1065.I04-304C1	Clear	1.19	304.8	1.59
LA1065.I06-152C1	Clear	1.59	152.4	3.18
LA1065.I06-203C1	Clear	1.59	203.2	3.18
LA1065.I06-254C1	Clear	1.59	254.0	3.18
LA1065.I06-304C1	Clear	1.59	304.8	3.18
LA1065.I04-152B1	Black	1.19	152.4	1.59
LA1065.I04-203B1	Black	1.19	203.2	1.59
LA1065.I04-254B1	Black	1.19	254.0	1.59
LA1065.I04-303B1	Black	1.19	304.8	1.59
LA1065.I06-152B1	Black	1.59	152.4	3.18
LA1065.I06-203B1	Black	1.59	203.2	3.18
LA1065.I06-254B1	Black	1.59	254.0	3.18
LA1065.I06-304B1	Black	1.59	304.8	3.18
LA1065.I04-152G1	Green	1.19	152.4	1.59
LA1065.I04-203G1	Green	1.19	203.2	1.59
LA1065.I04-254G1	Green	1.19	254.0	1.59
LA1065.I04-304G1	Green	1.19	304.8	1.59
LA1065.I06-152G1	Green	1.59	152.4	3.18
LA1065.I06-203G1	Green	1.59	203.2	3.18
LA1065.I06-254G1	Green	1.59	254.0	3.18
LA1065.I06-304G1	Green	1.59	304.8	3.18
LA1065.I04-152N1	Uncoated	1.19	152.4	-
LA1065.I04-203N1	Uncoated	1.19	203.2	-
LA1065.I04-254N1	Uncoated	1.19	254.0	-
LA1065.I04-304N1	Uncoated	1.19	304.8	-

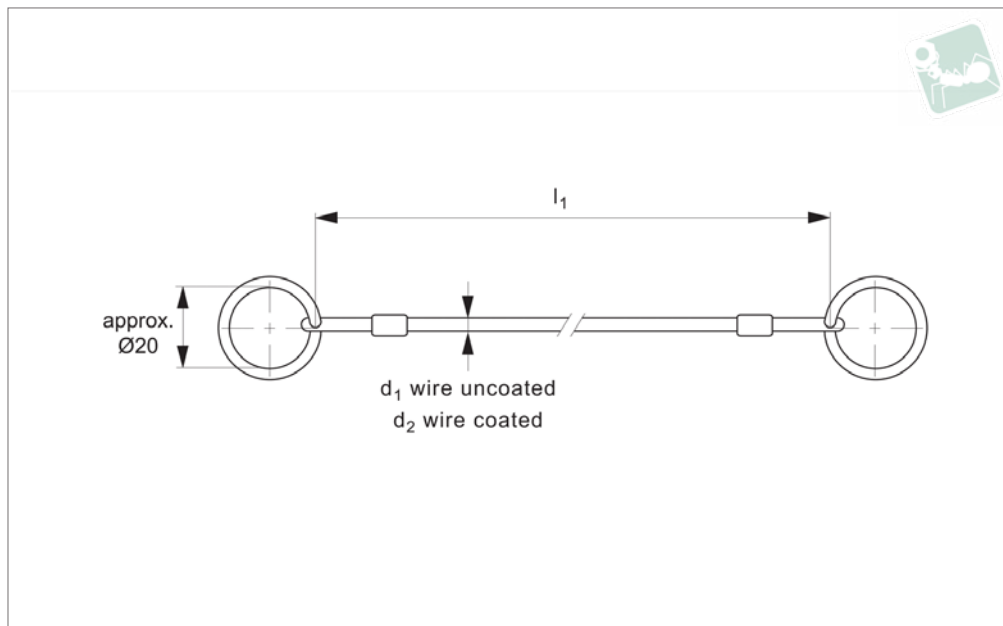


Order No.	Vinyl coating	d ₁ wire uncoated	l ₁	d ₂ wire coated
LA1065.I06-152N1	Uncoated	1.59	152.4	-
LA1065.I06-203N1	Uncoated	1.59	203.2	-
LA1065.I06-254N1	Uncoated	1.59	254.0	-
LA1065.I06-304N1	Uncoated	1.59	304.8	-



Lanyard - Loop to Loop with split rings - crimps stainless

Lanyards



LA1066

LANYARDS

Material

Wire rope: stainless steel
Coating (if present): PA6 see table.
Crimps /sleeves: stainless steel
Split rings: stainless steel

Technical Notes

Crimps tested to failure at 28 Kgf. Tempe-

perature range: up to 250°C (uncoated)

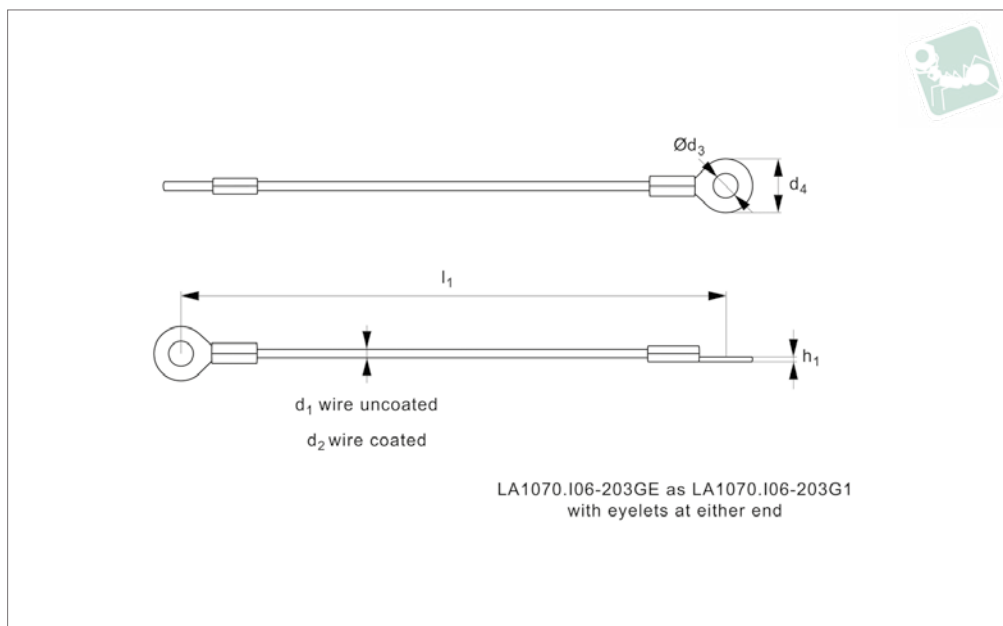
Tips

For use in securing components to assemblies, or to avoid items being misplaced. For our wide range of quick release pins nos. 33060 through 33226.

Order No.	Coating	d_1 wire uncoated	l_1	d_2 wire coated	Weight g
LA1066.M015-150B	Black	1.5	150	2.2	6.5
LA1066.M015-200B	Black	1.5	200	2.2	6.4
LA1066.M015-300B	Black	1.5	300	2.2	7.5
LA1066.M015-150C	Clear	1.5	150	2.2	6.5
LA1066.M015-200C	Clear	1.5	200	2.2	6.4
LA1066.M015-300C	Clear	1.5	300	2.2	7.5
LA1066.M015-150N	Uncoated	1.5	150	-	6.5
LA1066.M015-200N	Uncoated	1.5	200	-	6.4
LA1066.M015-300N	Uncoated	1.5	300	-	7.5



LA1070



Material

Wire rope: stainless steel 7x7 wire, RR-W-410.

Coating (if present): vinyl (to MIL-I-631), see table.

Crimps/sleeves: stainless steel (to MIL-51844).

Technical Notes

Rated wire strength, or min. breaking

strength, for unassembled, uncoated wire thickness $\varnothing d_1$:

$\varnothing d_1$ of 1.2mm = 120kg approx.

$\varnothing d_1$ of 1.6mm = 210kg approx.

Load rating of assembled and crimped lanyard is based on crimp failure test of approx. 13kg.

Temperature resistance:

-Uncoated – up to + 250°C

-Coated – 0°C to 80°C

Tips

For use in securing components to assemblies, or to avoid items being misplaced.

Special manufacture lanyards available on request, subject to minimum quantities.

For our wide range of quick release pins see part nos. QR1004 through QR5590. For split rings see part no. LA1260.

Order No.	Vinyl coating	d_1 wire uncoated	l_1	d_2 wire coated	$\varnothing d_3$	$\varnothing d_4$	h_1
LA1070.I04-152C1	Clear	1.19	152.4	1.59	5.08	8.38	1.01
LA1070.I04-203C1	Clear	1.19	203.2	1.59	5.08	8.38	1.01
LA1070.I04-254C1	Clear	1.19	254.0	1.59	5.08	8.38	1.01
LA1070.I04-304C1	Clear	1.19	304.8	1.59	5.08	8.38	1.01
LA1070.I06-152C1	Clear	1.16	152.4	3.18	5.08	10.41	1.52
LA1070.I06-203C1	Clear	1.16	203.2	3.18	5.08	10.41	1.52
LA1070.I06-254C1	Clear	1.16	254.0	3.18	5.08	10.41	1.52
LA1070.I06-304C1	Clear	1.16	304.8	3.18	5.08	10.41	1.52
LA1070.I04-152B1	Black	1.19	152.4	1.59	5.08	8.38	1.01
LA1070.I04-203B1	Black	1.19	203.2	1.59	5.08	8.38	1.01
LA1070.I04-254B1	Black	1.19	254.0	1.59	5.08	8.38	1.01
LA1070.I04-304B1	Black	1.19	304.8	1.59	5.08	8.38	1.01
LA1070.I06-152B1	Black	1.16	152.4	3.18	5.08	10.41	1.52
LA1070.I06-203B1	Black	1.16	203.2	3.18	5.08	10.41	1.52
LA1070.I06-254B1	Black	1.16	254.0	3.18	5.08	10.41	1.52
LA1070.I06-304B1	Black	1.16	304.8	3.18	5.08	10.41	1.52
LA1070.I04-152G1	Green	1.19	152.4	1.59	5.08	8.38	1.01
LA1070.I04-203G1	Green	1.19	203.2	1.59	5.08	8.38	1.01
LA1070.I04-254G1	Green	1.19	254.0	1.59	5.08	8.38	1.01
LA1070.I04-304G1	Green	1.19	304.8	1.59	5.08	8.38	1.01
LA1070.I06-152G1	Green	1.16	152.4	3.18	5.08	10.41	1.52
LA1070.I06-203G1	Green	1.16	203.2	3.18	5.08	10.41	1.52
LA1070.I06-254G1	Green	1.16	254.0	3.18	5.08	10.41	1.52
LA1070.I06-304G1	Green	1.16	304.8	3.18	5.08	10.41	1.52
LA1070.I04-152N1	Uncoated	1.19	152.4	-	5.08	8.38	1.01
LA1070.I04-203N1	Uncoated	1.19	203.2	-	5.08	8.38	1.01
LA1070.I04-254N1	Uncoated	1.19	254.0	-	5.08	8.38	1.01
LA1070.I04-304N1	Uncoated	1.19	304.8	-	5.08	8.38	1.01



Lanyard - Loop to Eyelet

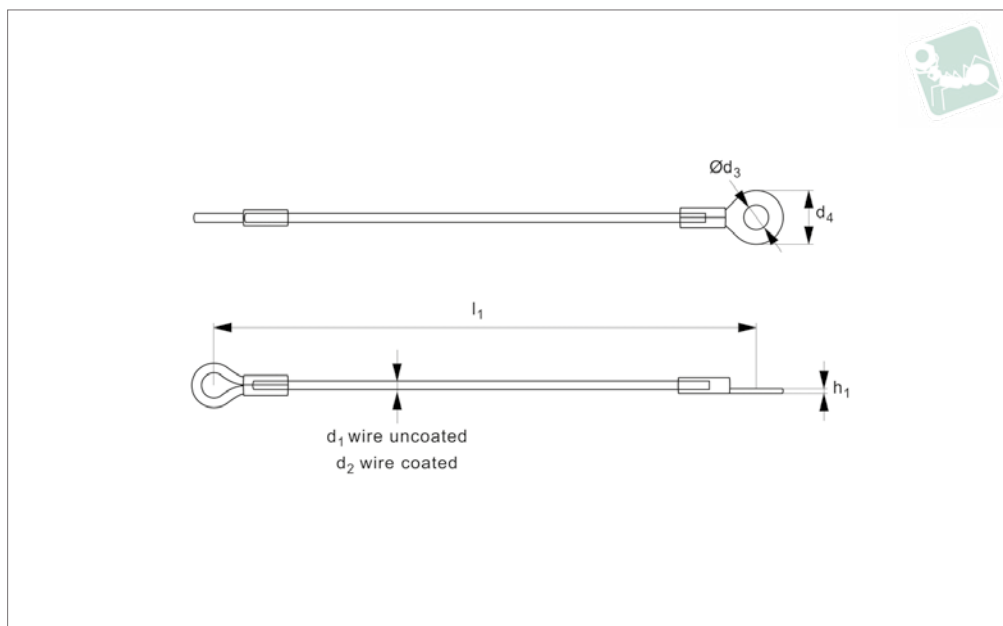
crimps stainless steel

Lanyards

Order No.	Vinyl coating	d ₁ wire uncoated	l ₁	d ₂ wire coated	Ø d ₃	Ø d ₄	h ₁
LA1070.I06-152N1	Uncoated	1.16	152.4	-	5.08	10.41	1.52
LA1070.I06-203N1	Uncoated	1.16	203.2	-	5.08	10.41	1.52
LA1070.I06-254N1	Uncoated	1.16	254.0	-	5.08	10.41	1.52
LA1070.I06-304N1	Uncoated	1.16	304.8	-	5.08	10.41	1.52



LA1075



Material

Wire rope: stainless steel 7x7 wire, RR-W-410.

Coating (if present): vinyl (to MIL-I-631), see table.

Crimps/Sleeves: Copper, Zinc plated (to MIL-51844).

Tabs: stainless steel, 300 Series (ASTM A240/A666)

Technical Notes

Rated wire strength, or min. breaking

strength, for unassembled, uncoated wire thickness $\varnothing d_1$:

$\varnothing d_1$ of 1.2mm = 120kg approx.

$\varnothing d_1$ of 1.6mm = 210kg approx.

Load rating of assembled and crimped lanyard is based on crimp failure test of approx. 13kg.

Temperature resistance:

-Uncoated – up to + 250°C

-Coated – 0°C to 80°C

Tips

For use in securing components to assemblies, or to avoid items being misplaced.

Special manufacture lanyards available on request, subject to minimum quantities.

For our wide range of quick release pins see part nos. QR1004 through QR5590. For split rings see part no. LA1260.

Order No.	Vinyl coating	d ₁ wire uncoated	l ₁	d ₂ wire coated	Ø d ₃	Ø d ₄	h ₁
LA1075.I04-152C1	Clear	1.19	152.4	1.59	5.08	8.38	1.01
LA1075.I04-203C1	Clear	1.19	203.2	1.59	5.08	8.38	1.01
LA1075.I04-254C1	Clear	1.19	254.0	1.59	5.08	8.38	1.01
LA1075.I04-304C1	Clear	1.19	304.8	1.59	5.08	8.38	1.01
LA1075.I06-152C1	Clear	1.59	152.4	3.18	5.08	10.41	1.52
LA1075.I06-203C1	Clear	1.59	203.2	3.18	5.08	10.41	1.52
LA1075.I06-254C1	Clear	1.59	254.0	3.18	5.08	10.41	1.52
LA1075.I06-304C1	Clear	1.59	304.8	3.18	5.08	10.41	1.52
LA1075.I04-152B1	Black	1.19	152.4	1.59	5.08	8.38	1.01
LA1075.I04-203B1	Black	1.19	203.2	1.59	5.08	8.38	1.01
LA1075.I04-254B1	Black	1.19	254.0	1.59	5.08	8.38	1.01
LA1075.I04-304B1	Black	1.19	304.8	1.59	5.08	8.38	1.01
LA1075.I06-152B1	Black	1.59	152.4	3.18	5.08	10.41	1.52
LA1075.I06-203B1	Black	1.59	203.2	3.18	5.08	10.41	1.52
LA1075.I06-254B1	Black	1.59	254.0	3.18	5.08	10.41	1.52
LA1075.I06-304B1	Black	1.59	304.8	3.18	5.08	10.41	1.52
LA1075.I04-152G1	Green	1.19	152.4	1.59	5.08	8.38	1.01
LA1075.I04-203G1	Green	1.19	203.2	1.59	5.08	8.38	1.01
LA1075.I04-254G1	Green	1.19	254.0	1.59	5.08	8.38	1.01
LA1075.I04-304G1	Green	1.19	304.8	1.59	5.08	8.38	1.01
LA1075.I06-152G1	Green	1.59	152.4	3.18	5.08	10.41	1.52
LA1075.I06-203G1	Green	1.59	203.2	3.18	5.08	10.41	1.52
LA1075.I06-254G1	Green	1.59	254.0	3.18	5.08	10.41	1.52
LA1075.I06-304G1	Green	1.59	304.8	3.18	5.08	10.41	1.52
LA1075.I04-152N1	Uncoated	1.19	152.4	-	5.08	8.38	1.01
LA1075.I04-203N1	Uncoated	1.19	203.2	-	5.08	8.38	1.01

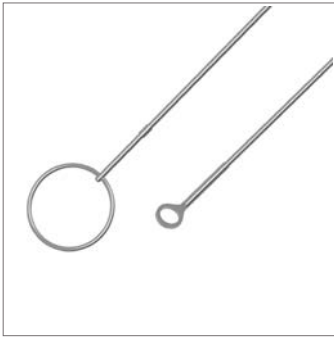


Lanyard - Loop to Eyelet

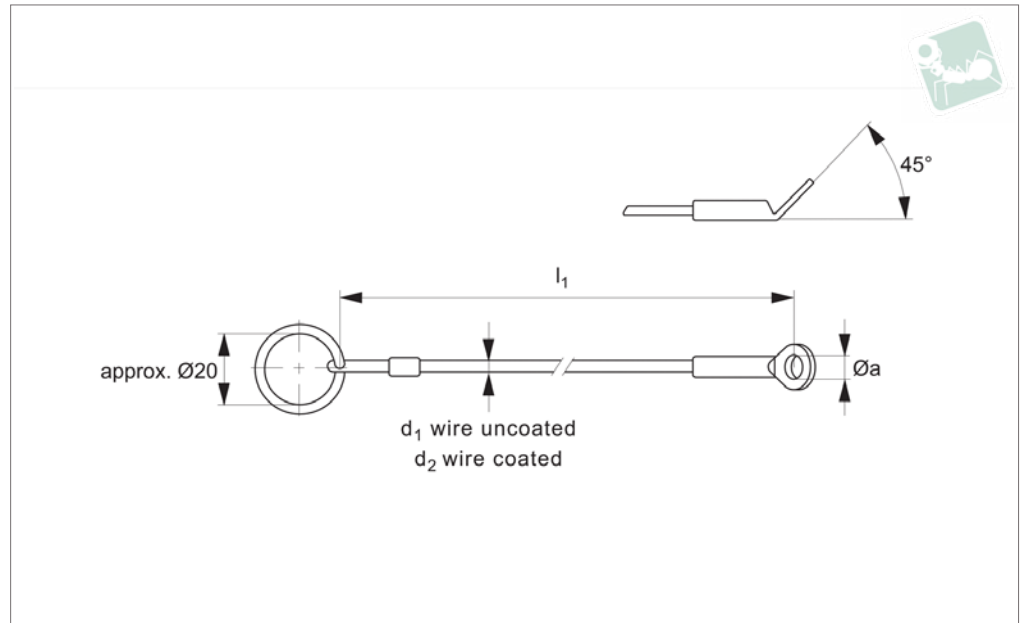
crimps copper, zinc plated

Lanyards

Order No.	Vinyl coating	d ₁ wire uncoated	l ₁	d ₂ wire coated	Ø d ₃	Ø d ₄	h ₁
LA1075.I04-254N1	Uncoated	1.19	254.0	-	5.08	8.38	1.01
LA1075.I04-304N1	Uncoated	1.19	304.8	-	5.08	8.38	1.01
LA1075.I06-152N1	Uncoated	1.59	152.4	-	5.08	10.41	1.52
LA1075.I06-203N1	Uncoated	1.59	203.2	-	5.08	10.41	1.52
LA1075.I06-254N1	Uncoated	1.59	254.0	-	5.08	10.41	1.52
LA1075.I06-304N1	Uncoated	1.59	304.8	-	5.08	10.41	1.52



LA1076



Material

Wire rope: stainless steel.
Coating (if present): PA6, see table.
Crimps /sleeves: stainless steel.
Eyelet and split ring: stainless steel.

Technical Notes

Crimps tested for failure at 28 Kgf. Tempe-

perature range: up to 250°C (uncoated).

Tips

For use in securing components to assemblies, or to avoid items being misplaced. For our wide range of quick release pins nos. 33060 through 33226.

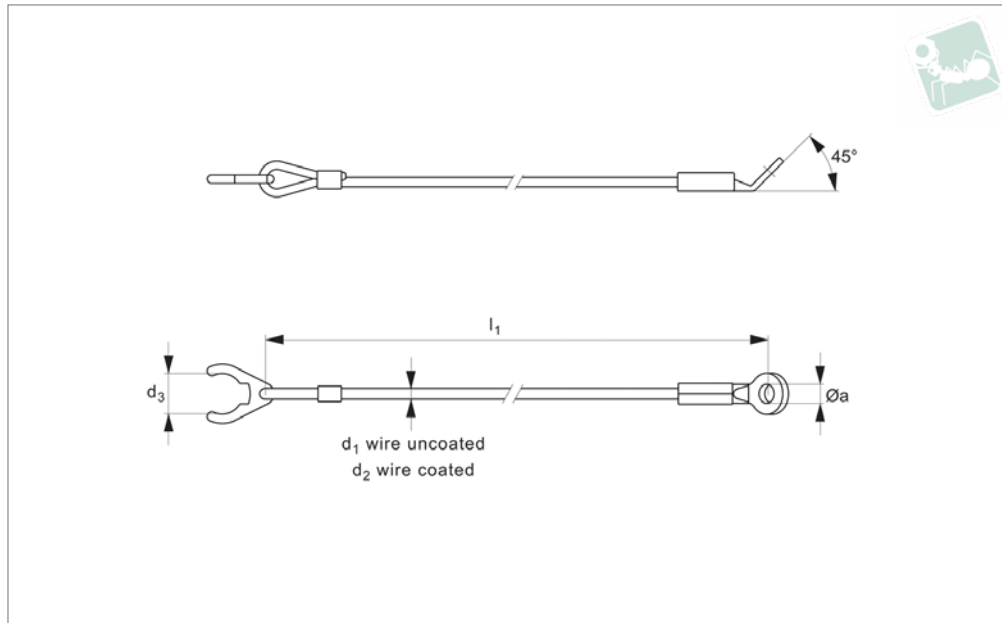
Order No.	Coating	d ₁ wire uncoated	l ₁	Ø a	d ₂ wire uncoated	Weight g
LA1076.M015-150B	Black	1.5	150	4.8	2.0	6.9
LA1076.M015-200B	Black	1.5	200	4.8	2.0	7.6
LA1076.M015-300B	Black	1.5	300	4.8	2.0	8.6
LA1076.M015-150C	Clear	1.5	150	4.8	2.0	6.9
LA1076.M015-200C	Clear	1.5	200	4.8	2.0	7.6
LA1076.M015-300C	Clear	1.5	300	4.8	2.0	8.6
LA1076.M015-150N	Uncoated	1.5	150	4.8	2.0	6.9
LA1076.M015-200N	Uncoated	1.5	200	4.8	2.0	7.6
LA1076.M015-300N	Uncoated	1.5	300	4.8	2.0	8.6



Lanyard - Circlip End to Eyelet

crimps brass, tabs stainless steel

Lanyards



LA1094

LANYARDS

Material

Wire rope: stainless steel.
 Coating (if present): PVC, see table.
 Crimps/sleeves: brass.
 Eyelet, circlip end and split ring: stainless

steel.

Technical Notes

Designed specifically to hold ball lock pin 33194.

Important Notes

Assemble by attaching holding clips to the ball lock pin with a soft-face mallet, disassemble via levering off with a screw driver.

Order No.	Coating	d ₁ wire uncoated	l ₁	Ø a	d ₂ wire coated	d ₅ for use with part no. 33914 of pin dia d ₁	Weight g
LA1094.M106-150C	Clear	1.5	150	4.8	2.0	5/ 6	6.0
LA1094.M106-200C	Clear	1.5	200	4.8	2.0	5/ 6	7.0
LA1094.M106-300C	Clear	1.5	300	4.8	2.0	5/ 6	8.0
LA1094.M110-150C	Clear	1.5	150	2.0	4.8	8/10	7.0
LA1094.M110-200C	Clear	1.5	200	4.8	2.0	8/10	8.0
LA1094.M110-300C	Clear	1.5	200	4.8	2.0	8/10	9.0
LA1094.M116-150C	Clear	1.5	150	4.8	2.0	12/16	8.0
LA1094.M116-200C	Clear	1.5	200	4.8	2.0	12/16	9.0
LA1094.M116-300C	Clear	1.5	300	4.8	2.0	12/16	10.0
LA1094.M125-150C	Clear	1.5	150	4.8	2.0	20/25	12.0
LA1094.M125-200C	Clear	1.5	200	4.8	2.0	20/25	13.0
LA1094.M125-300C	Clear	1.5	300	4.8	2.0	20/25	14.0
LA1094.M106-150B	Black	1.5	150	4.8	2.0	5/ 6	6.0
LA1094.M106-200B	Black	1.5	200	4.8	2.0	5/ 6	7.0
LA1094.M106-300B	Black	1.5	300	4.8	2.0	5/ 6	8.0
LA1094.M110-150B	Black	1.5	150	4.8	2.0	8/10	7.0
LA1094.M110-200B	Black	1.5	200	4.8	2.0	8/10	8.0
LA1094.M110-300B	Black	1.5	300	4.8	2.0	8/10	9.0
LA1094.M116-150B	Black	1.5	150	4.8	2.0	12/16	8.0
LA1094.M116-200B	Black	1.5	200	4.8	2.0	12/16	9.0
LA1094.M116-300B	Black	1.5	300	4.8	2.0	12/16	10.0
LA1094.M125-150B	Black	1.5	150	4.8	2.0	20/25	12.0
LA1094.M125-200B	Black	1.5	200	4.8	2.0	20/25	13.0
LA1094.M125-300B	Black	1.5	300	4.8	2.0	20/25	14.0
LA1094.M106-150N	Uncoated	1.5	150	4.8	-	5/ 6	6.0
LA1094.M106-200N	Uncoated	1.5	200	4.8	-	5/ 6	7.0
LA1094.M106-300N	Uncoated	1.5	300	4.8	-	5/ 6	8.0
LA1094.M110-150N	Uncoated	1.5	150	4.8	-	8/10	7.0
LA1094.M110-200N	Uncoated	1.5	200	4.8	-	8/10	8.0
LA1094.M110-300N	Uncoated	1.5	300	4.8	-	8/10	9.0
LA1094.M116-150N	Uncoated	1.5	200	4.8	-	12/16	8.0
LA1094.M116-200N	Uncoated	1.5	200	4.8	-	12/16	9.0
LA1094.M116-300N	Uncoated	1.5	300	4.8	-	12/16	10.0

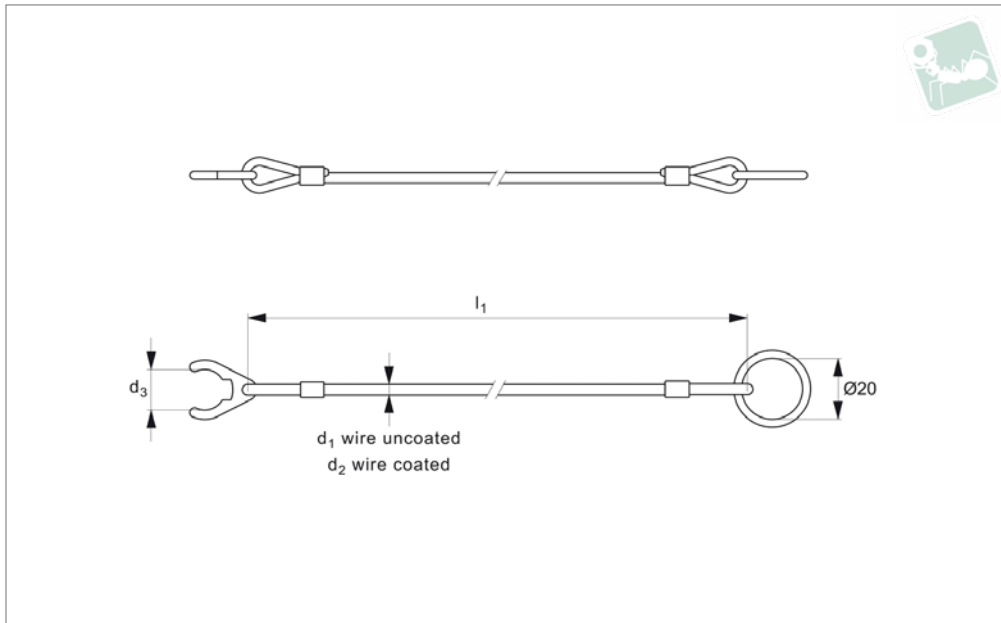


Order No.	Coating	d ₁ wire uncoated	l ₁	Ø a	d ₂ wire coated	d ₅ for use with part no. 33914 of pin dia d ₁	Weight g
LA1094.M125-150N	Uncoated	1.5	150	4.8	-	20/25	12.0
LA1094.M125-200N	Uncoated	1.5	200	4.8	-	20/25	13.0
LA1094.M125-300N	Uncoated	1.5	300	4.8	-	20/25	14.0



Lanyard - Circlip End to Loop with crimps brass, tabs stainless steel, for ball lock pins

Lanyards



LA1096

LANYARDS

Material

Wire rope: stainless steel.
 Coating (if present): PA6, see table.
 Crimps/sleeves: brass.
 Circlip end and split ring: stainless steel.

Technical Notes

Designed specifically to hold ball lock pin 33194.

Important Notes

Assemble by attaching holding clips to the ball lock pin with a soft-face mallet, disassemble via levering off with a screw driver.

Order No.	Coating	d ₁ wire uncoated	l ₁	d ₂ wire coated	d ₃ for use with part no. 33914 of pin dia d ₁	Weight g
LA1096.M106-150C	Clear	1.5	150	2.0	5/6	6.3
LA1096.M106-200C	Clear	1.5	150	2.0	8/10	7.2
LA1096.M106-300C	Clear	1.5	150	2.0	12/16	8.4
LA1096.M110-150C	Clear	1.5	150	2.0	20/25	11
LA1096.M110-200C	Clear	1.5	200	2.0	5/6	6.9
LA1096.M110-300C	Clear	1.5	200	2.0	8/10	7.8
LA1096.M116-150C	Clear	1.5	200	2.0	12/16	9.0
LA1096.M116-200C	Clear	1.5	200	2.0	20/25	12
LA1096.M116-300C	Clear	1.5	300	2.0	5/6	8.2
LA1096.M125-150C	Clear	1.5	300	2.0	8/10	9.0
LA1096.M125-200C	Clear	1.5	300	2.0	12/16	10
LA1096.M125-300C	Clear	1.5	300	2.0	20/25	13
LA1096.M106-150B	Black	1.5	150	2.0	5/6	6.3
LA1096.M106-200B	Black	1.5	150	2.0	8/10	7.3
LA1096.M106-300B	Black	1.5	150	2.0	12/16	8.4
LA1096.M110-150B	Black	1.5	150	2.0	20/25	11
LA1096.M110-200B	Black	1.5	200	2.0	5/6	7.0
LA1096.M110-300B	Black	1.5	200	2.0	8/10	7.8
LA1096.M116-150B	Black	1.5	200	2.0	12/16	9.0
LA1096.M116-200B	Black	1.5	200	2.0	20/25	12
LA1096.M116-300B	Black	1.5	300	2.0	5/6	8.2
LA1096.M125-150B	Black	1.5	300	2.0	8/10	9.0
LA1096.M125-200B	Black	1.5	300	2.0	12/16	10
LA1096.M125-300B	Black	1.5	300	2.0	20/25	13
LA1096.M106-150N	Uncoated	1.5	150	-	5/6	5.9
LA1096.M106-200N	Uncoated	1.5	150	-	8/10	6.8
LA1096.M106-300N	Uncoated	1.5	150	-	12/16	8.0
LA1096.M110-150N	Uncoated	1.5	150	-	20/25	11
LA1096.M110-200N	Uncoated	1.5	200	-	5/6	6.4
LA1096.M110-300N	Uncoated	1.5	200	-	8/10	7.3
LA1096.M116-150N	Uncoated	1.5	200	-	12/16	8.5
LA1096.M116-200N	Uncoated	1.5	200	-	20/25	12
LA1096.M116-300N	Uncoated	1.5	300	-	5/6	7.4

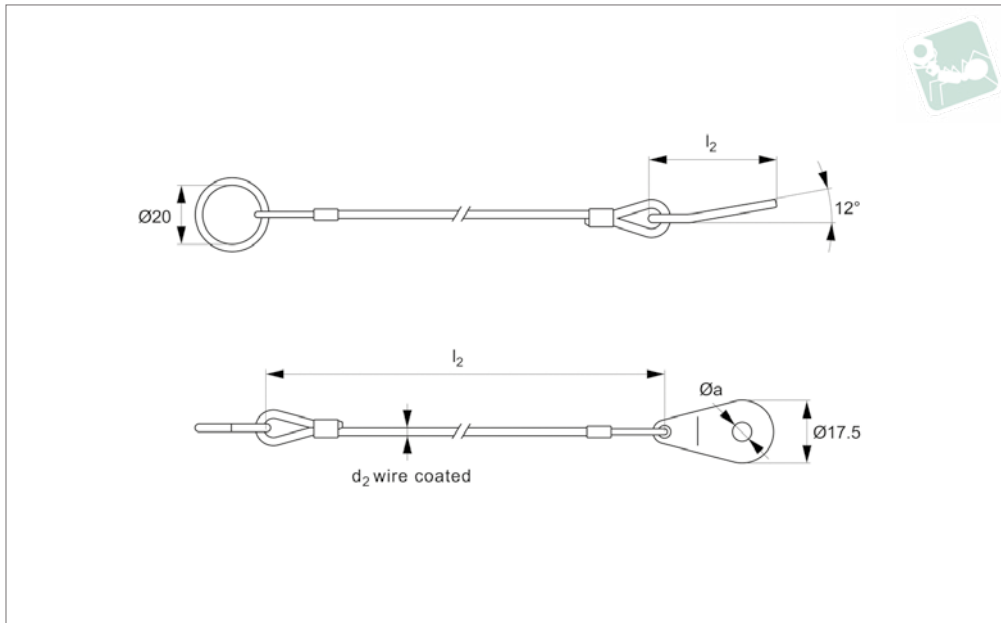


Order No.	Coating	d ₁ wire uncoated	l ₁	d ₂ wire coated	d ₃ for use with part no. 33914 of pin dia d ₁	Weight g
LA1096.M125-150N	Uncoated	1.5	300	-	8/10	8.6
LA1096.M125-200N	Uncoated	1.5	300	-	12/16	9.5
LA1096.M125-300N	Uncoated	1.5	300	-	20/25	13



Lanyard - Ring to Teardrop Tab

crimps brass - tab stainless steel



LA1052

LANYARDS

Material

Wire rope: stainless steel.
 Coating: thermoplastic, PA6, green
 Crimps: brass, zinc plated.
 Tabs: stainless steel
 Split ring: stainless steel.

Technical Notes

Temperature range +80°C.

Tips

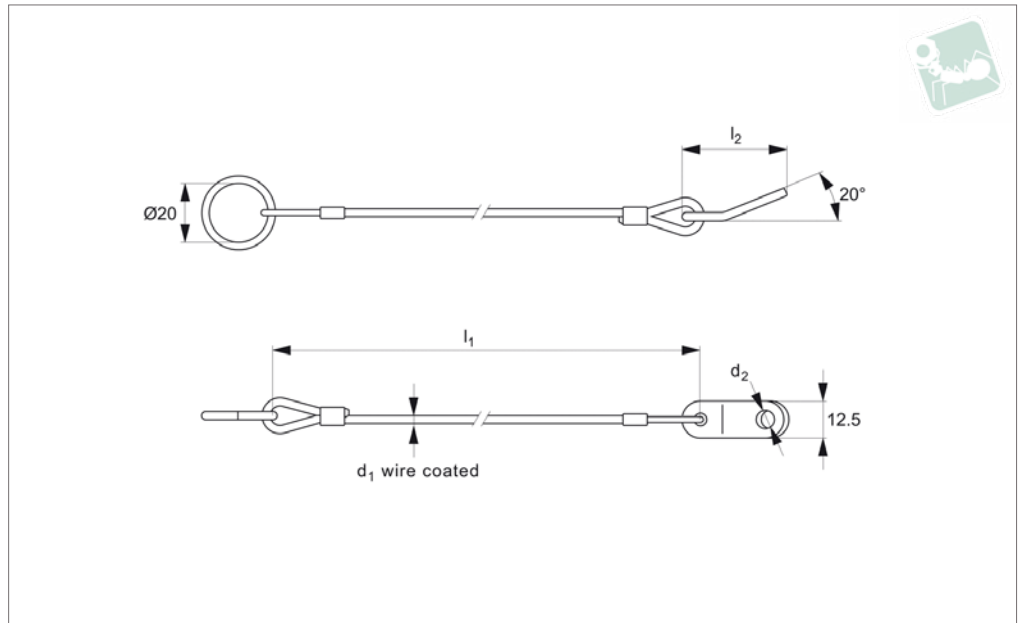
For use in securing components to assemblies, or to avoid items being misplaced. For

our wide range of quick release pins nos. QR1004 through QR5590.

Order No.	Coating	l_1	d_2 wire coated	$\varnothing a$	l_2	Weight g
LA1052.M024-150-G	Green	150	2.4	4.9	33	13.0
LA1052.M024-200-G	Green	200	2.4	4.9	33	14.0
LA1052.M024-300-G	Green	300	2.4	4.9	33	16.0



LA1012



Material

Wire rope: stainless steel.
 Coating: thermoplastic, PVC, green transparent
 Crimps: brass, zinc plated.
 Tabs: stainless steel
 Split ring: stainless steel.

Technical Notes

Temperature range up to 80°C.

Tips

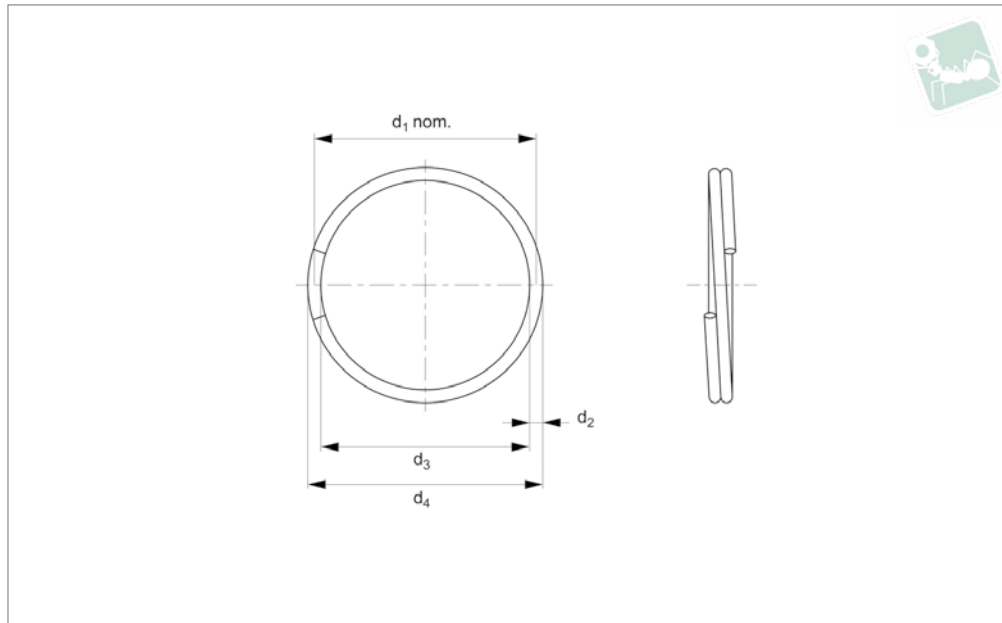
For use in securing components to assemblies, or to avoid items being misplaced. For our wide range of quick release pins

nos.33060 through 33226.

Important Notes

Conform to military spec MIL-DTL-83420 specification

Order No.	Coating	d_1 wire coated	l_1	d_2	l_2	Weight g
LA1012.M024-150G	Green	2.4	150	294.9	29	13
LA1012.M024-200G	Green	2.4	200	4.9	29	14
LA1012.M024-300G	Green	2.4	300	4.9	29	16



LA1260

LANYARDS

Material

Steel, zinc plated, or stainless steel (300 series).

conjunction with wire lanyards. See part nos. L through LA1224. For wide range of quick release pins see part nos. QR1004 through QR5590.

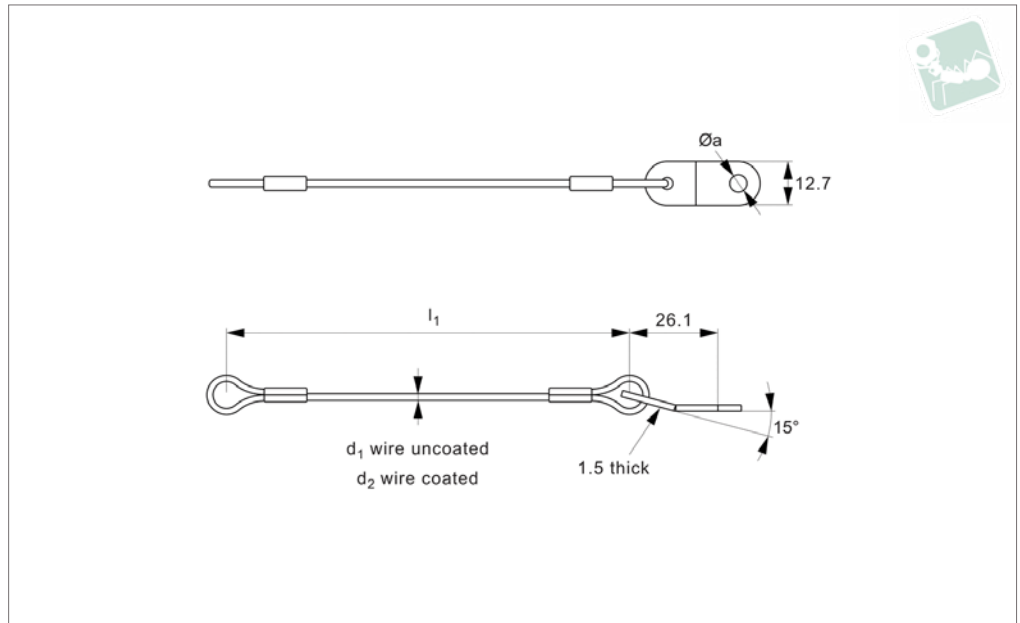
Tips

For use in securing components in

Order No.	d ₁	Material	d ₂	d ₃ I/D	d ₄ O/D
LA1260.I050-C	12,70 (1/2")	Steel	1.14	11.56	13.84
LA1260.I062-C	15,87 (5/8")	Steel	1.40	11.86	17.35
LA1260.I075-C	19,05 (3/4")	Steel	1.78	17.27	20.83
LA1260.I088-C	22,22 (7/8")	Steel	1.78	20.45	24.00
LA1260.I100-C	25,4 (1")	Steel	1.78	23.62	27.18
LA1260.I125-C	31,75 (1-1/4")	Steel	2.29	29.46	34.04
LA1260.I150-C	38,10 (1-1/2")	Steel	2.67	35.43	40.77
LA1260.I200-C	50,80 (2")	Steel	3.05	47.75	53.85
LA1260.I250-C	63,50 (2-1/2")	Steel	3.94	59.56	67.44
LA1260.I300-C	76,2 (3")	Steel	3.94	72.26	80.14
LA1260.I400-C	101,6 (4")	Steel	3.94	97.66	105.54
LA1260.I050-S	12,70 (1/2")	Stainless	1.14	11.56	13.84
LA1260.I062-S	15,87 (5/8")	Stainless	1.40	11.86	17.35
LA1260.I075-S	19,05 (3/4")	Stainless	1.78	17.27	20.83
LA1260.I088-S	22,22 (7/8")	Stainless	1.78	20.45	24.00
LA1260.I100-S	25,4 (1")	Stainless	1.78	23.62	27.18
LA1260.I125-S	31,75 (1-1/4")	Stainless	2.29	29.46	34.04
LA1260.I150-S	38,10 (1-1/2")	Stainless	2.67	35.43	40.77
LA1260.I200-S	50,80 (2")	Stainless	3.05	47.75	53.85
LA1260.I250-S	63,50 (2-1/2")	Stainless	3.94	59.56	67.44
LA1260.I300-S	76,2 (3")	Stainless	3.94	72.26	80.14
LA1260.I400-S	101,6 (4")	Stainless	3.94	97.66	105.54



LA1010



Material

Material

Wire rope: stainless steel 7x7 wire, RR-W-410.

Coating (if present): vinyl (to MIL-I-631), see table.

Crimps/sleeves: stainless steel (to MIL-51844).

Tabs: stainless steel, 300 Series (ASTM AA240/A666)

Technical Notes

Rated wire strength, or min. breaking

strength, for unassembled, uncoated wire thickness $\text{Ø}d_1$:

$\text{Ø}d_1$ of 1.2mm = 120kg approx.

$\text{Ø}d_1$ of 1.6mm = 210kg approx.

Load rating of assembled and crimped lanyard is based on crimp failure test of approx. 13kg.

Temperature resistance:

-Uncoated – up to + 250°C

-Coated – 0°C to 80°C

Tips

For use in securing components to assemb-

lies, or to avoid items being misplaced.

Special manufacture lanyards available on request, subject to minimum quantities.

For our wide range of quick release pins see part nos. QR1004 through QR5590. For split rings see part no. LA1260.

Order No.	Vinyl coating	d_1 wire uncoated	l_1	d_2 wire coated	$\text{Ø} a$
LA1010.I04-152C1	Clear	1.19	154.4	1.59	5.1
LA1010.I04-203C1	Clear	1.19	203.2	1.59	5.1
LA1010.I04-254C1	Clear	1.19	254.0	1.59	5.1
LA1010.I04-304C1	Clear	1.19	304.8	1.59	5.1
LA1010.I04-152C2	Clear	1.19	152.4	1.59	7.1
LA1010.I04-203C2	Clear	1.19	203.2	1.59	7.1
LA1010.I04-254C2	Clear	1.19	254.0	1.59	7.1
LA1010.I04-304C2	Clear	1.19	304.8	1.59	7.1
LA1010.I06-152C1	Clear	1.59	152.4	3.18	5.1
LA1010.I06-203C1	Clear	1.59	203.2	3.18	5.1
LA1010.I06-254C1	Clear	1.59	254.0	3.18	5.1
LA1010.I06-304C1	Clear	1.59	304.8	3.18	5.1
LA1010.I06-152C2	Clear	1.59	152.4	3.18	7.1
LA1010.I06-203C2	Clear	1.59	203.2	3.18	7.1
LA1010.I06-254C2	Clear	1.59	254.0	3.18	7.1
LA1010.I06-304C2	Clear	1.59	304.8	3.18	7.1
LA1010.I04-152B1	Black	1.19	152.4	1.59	5.1
LA1010.I04-203B1	Black	1.19	203.2	1.59	5.1
LA1010.I04-254B1	Black	1.19	254.0	1.59	5.1
LA1010.I04-304B1	Black	1.19	304.8	1.59	5.1
LA1010.I04-152B2	Black	1.19	152.4	1.59	7.1
LA1010.I04-203B2	Black	1.19	203.2	1.59	7.1
LA1010.I04-254B2	Black	1.19	254.0	1.59	7.1
LA1010.I04-304B2	Black	1.19	304.8	1.59	7.1
LA1010.I06-152B1	Black	1.59	152.4	3.18	5.1



Lanyard - Loop to Rectangular Tab

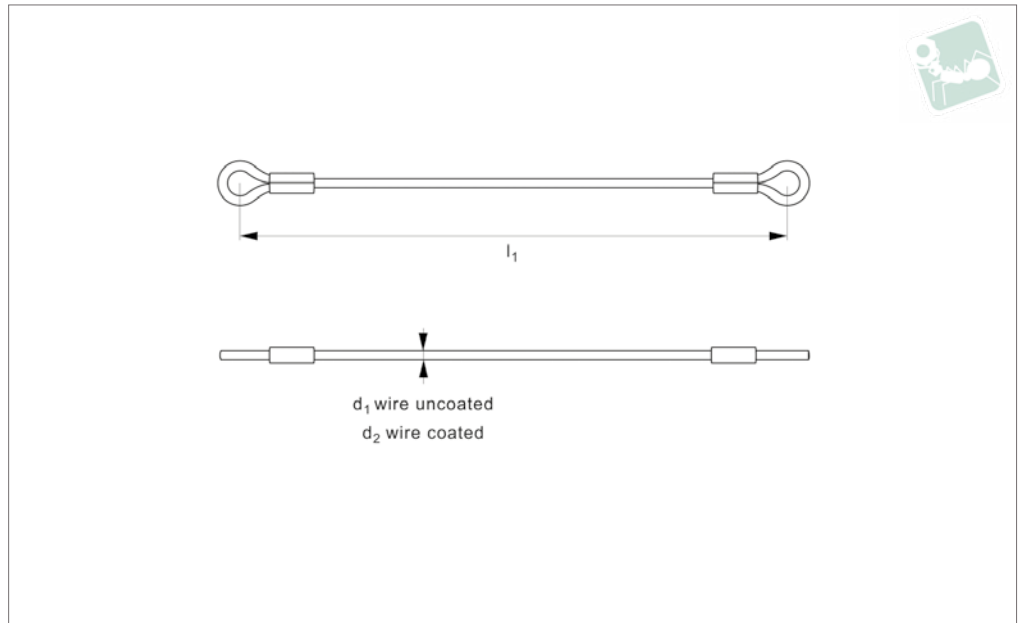
tab and crimps stainless steel

Lanyards

Order No.	Vinyl coating	d ₁ wire uncoated	l ₁	d ₂ wire coated	Ø a
LA1010.I06-203B1	Black	1.59	203.2	3.18	5.1
LA1010.I06-254B1	Black	1.59	254.0	3.18	5.1
LA1010.I06-304B1	Black	1.59	304.8	3.18	5.1
LA1010.I06-152B2	Black	1.59	152.4	3.18	7.1
LA1010.I06-203B2	Black	1.59	203.2	3.18	7.1
LA1010.I06-254B2	Black	1.59	254.0	3.18	7.1
LA1010.I06-304B2	Black	1.59	304.8	3.18	7.1
LA1010.I04-152G1	Green	1.19	152.4	1.59	5.1
LA1010.I04-203G1	Green	1.19	203.2	1.59	5.1
LA1010.I04-254G1	Green	1.19	254.0	1.59	5.1
LA1010.I04-304G1	Green	1.19	304.8	1.59	5.1
LA1010.I04-152G2	Green	1.19	152.4	1.59	7.1
LA1010.I04-203G2	Green	1.19	203.2	1.59	7.1
LA1010.I04-254G2	Green	1.19	254.0	1.59	7.1
LA1010.I04-304G2	Green	1.19	304.8	1.59	7.1
LA1010.I06-152G1	Green	1.59	152.4	3.18	5.1
LA1010.I06-203G1	Green	1.59	203.2	3.18	5.1
LA1010.I06-254G1	Green	1.59	254.0	3.18	5.1
LA1010.I06-304G1	Green	1.59	304.8	3.18	5.1
LA1010.I06-152G2	Green	1.59	152.4	3.18	7.1
LA1010.I06-203G2	Green	1.59	203.2	3.18	7.1
LA1010.I06-254G2	Green	1.59	254.0	3.18	7.1
LA1010.I06-304G2	Green	1.59	304.8	3.18	7.1
LA1010.I04-152N1	Uncoated	1.19	152.4	-	5.1
LA1010.I04-203N1	Uncoated	1.19	203.2	-	5.1
LA1010.I04-254N1	Uncoated	1.19	254.0	-	5.1
LA1010.I04-304N1	Uncoated	1.19	304.8	-	5.1
LA1010.I04-152N2	Uncoated	1.19	152.4	-	7.1
LA1010.I04-203N2	Uncoated	1.19	203.2	-	7.1
LA1010.I04-254N2	Uncoated	1.19	254.0	-	7.1
LA1010.I04-304N2	Uncoated	1.19	304.8	-	7.1
LA1010.I06-152N1	Uncoated	1.59	152.4	-	5.1
LA1010.I06-203N1	Uncoated	1.59	203.2	-	5.1
LA1010.I06-254N1	Uncoated	1.59	254.0	-	5.1
LA1010.I06-304N1	Uncoated	1.59	304.8	-	5.1
LA1010.I06-152N2	Uncoated	1.59	152.4	-	7.1
LA1010.I06-203N2	Uncoated	1.59	203.2	-	7.1
LA1010.I06-254N2	Uncoated	1.59	254.0	-	7.1
LA1010.I06-304N2	Uncoated	1.59	304.8	-	7.1



LA1060



Material

Wire rope: stainless steel 7x7 wire, RR-W-410.

Coating (if present): vinyl (to MIL-I-631), see table.

Crimps/sleeves: stainless steel (to MIL-51844).

Technical Notes

Rated wire strength, or min. breaking

strength, for unassembled, uncoated wire thickness $\varnothing d_1$:

$\varnothing d_1$ of 1.2mm = 120kg approx.

$\varnothing d_1$ of 1.6mm = 210kg approx.

Load rating of assembled and crimped lanyard is based on crimp failure test of approx. 13kg.

Temperature resistance:

-Uncoated – up to + 250°C

-Coated – 0°C to 80°C

Tips

For use in securing components to assemblies, or to avoid items being misplaced. Special manufacture lanyards available on request, subject to minimum quantities.

For our wide range of quick release pins see part nos. QR1004 through QR5590. For split rings see part no. LA1260.

Order No.	Vinyl coating	d_1 wire uncoated	l_1	d_2 wire coated
LA1060.I04-152C1	Clear	1.19	152.4	1.59
LA1060.I04-203C1	Clear	1.19	203.2	1.59
LA1060.I04-254C1	Clear	1.19	254.0	1.59
LA1060.I04-304C1	Clear	1.19	304.8	1.59
LA1060.I06-152C1	Clear	1.59	152.4	3.18
LA1060.I06-203C1	Clear	1.59	203.2	3.18
LA1060.I06-254C1	Clear	1.59	254.0	3.18
LA1060.I06-304C1	Clear	1.59	304.8	3.18
LA1060.I04-152B1	Black	1.19	152.4	1.59
LA1060.I04-203B1	Black	1.19	203.2	1.59
LA1060.I04-254B1	Black	1.19	254.0	1.59
LA1060.I04-304B1	Black	1.19	304.8	1.59
LA1060.I06-152B1	Black	1.59	152.4	3.18
LA1060.I06-203B1	Black	1.59	203.2	3.18
LA1060.I06-254B1	Black	1.59	254.0	3.18
LA1060.I06-304B1	Black	1.59	304.8	3.18
LA1060.I04-152G1	Green	1.19	152.4	1.59
LA1060.I04-203G1	Green	1.19	203.2	1.59
LA1060.I04-254G1	Green	1.19	254.0	1.59
LA1060.I04-304G1	Green	1.19	304.8	1.59
LA1060.I06-152G1	Green	1.59	152.4	3.18
LA1060.I06-203G1	Green	1.59	203.2	3.18
LA1060.I06-254G1	Green	1.59	254.0	3.18
LA1060.I06-304G1	Green	1.59	304.8	3.18
LA1060.I04-152N1	Uncoated	1.19	152.4	-
LA1060.I04-203N1	Uncoated	1.19	203.2	-
LA1060.I04-254N1	Uncoated	1.19	254.0	-
LA1060.I04-304N1	Uncoated	1.19	304.8	-

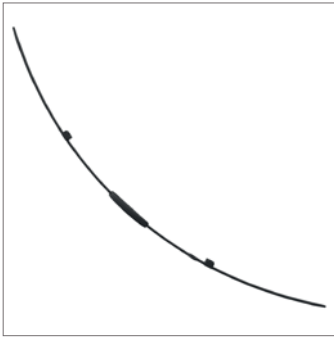


Lanyard - Loop to Loop

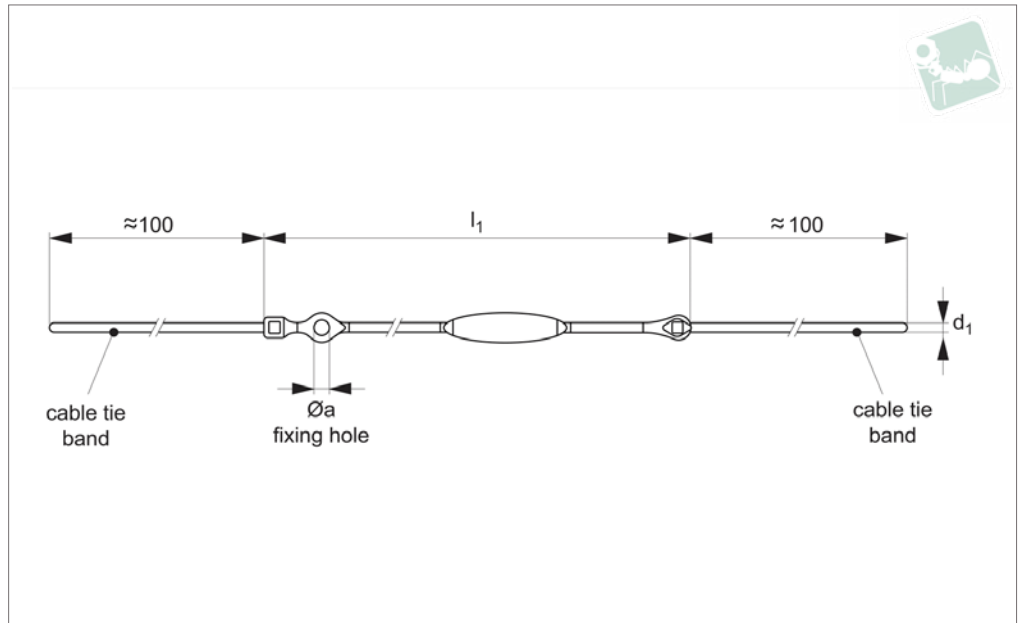
crimps stainless steel

Lanyards

Order No.	Vinyl coating	d ₁ wire uncoated	l ₁	d ₂ wire coated
LA1060.I06-152N1	Uncoated	1.59	152.4	-
LA1060.I06-203N1	Uncoated	1.59	203.2	-
LA1060.I06-254N1	Uncoated	1.59	254.0	-
LA1060.I06-304N1	Uncoated	1.59	304.8	-



LA1082



Material

Thermoplastic PA6, grey.

Technical Notes

Temperature range up to 80°C offers two

fixing alternatives:

- Cable tie at both ends
- Cable tie one end and fixing hole at other to secure with M4 screw.

Tips

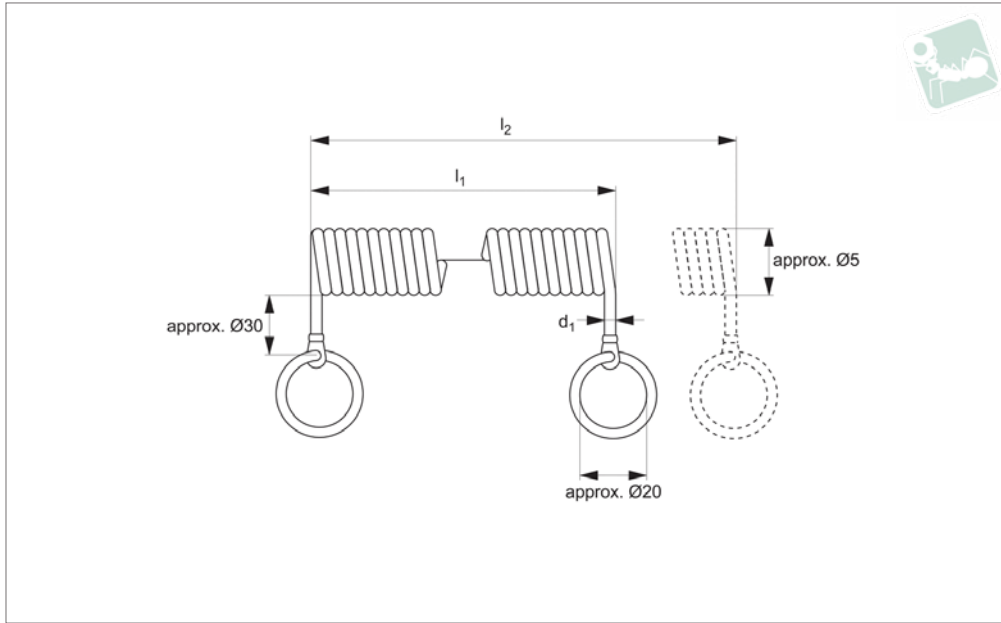
For use in securing components to assemblies, or to avoid items being misplaced.

Order No.	Coating	d_1	l_1	$\varnothing a$	Weight g
LA1082.M015-150N	n/a	2.5	150	4.2	2.1
LA1082.M015-250N	n/a	2.5	250	4.2	2.7



Lanyard - Spiral Wire with Split Rings

crimps brass, zinc plated



LA1092

LANYARDS

Material

Wire rope: steel.
Coating: PUR, thermoplastic.
Eyelet: brass, zinc plated.
Split ring: stainless steel.

sprung wire offers high extended length in a compact design.

Tips

For use in securing components to assemblies, or to avoid items being misplaced. For our wide range of quick release pins, part nos. 33060 to 33226.

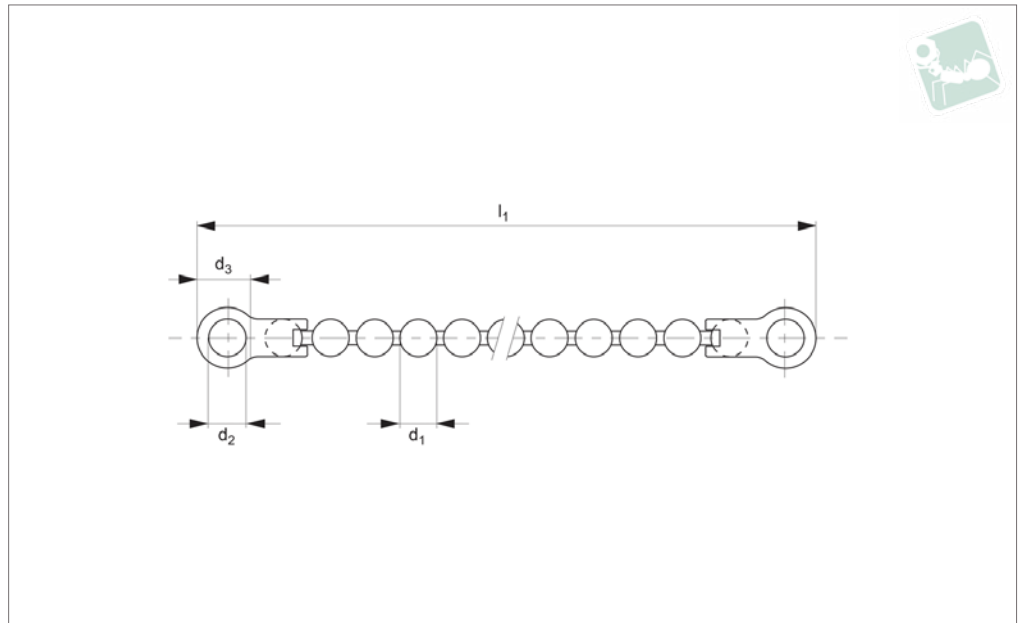
Technical Notes

Temperature range up to 80°C. Coiled

Order No.	PUR coating	d_1	l_1 retracted	l_2 extended	Weight g
LA1092.M015-100B	Black	1.5	100	600	11.5
LA1092.M015-200B	Black	1.5	200	1200	17.4



LA1220



Material

Bead chain: stainless steel AISI 304.
Terminals: brass.

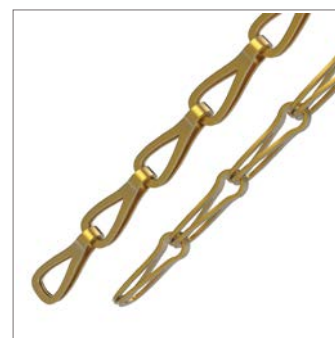
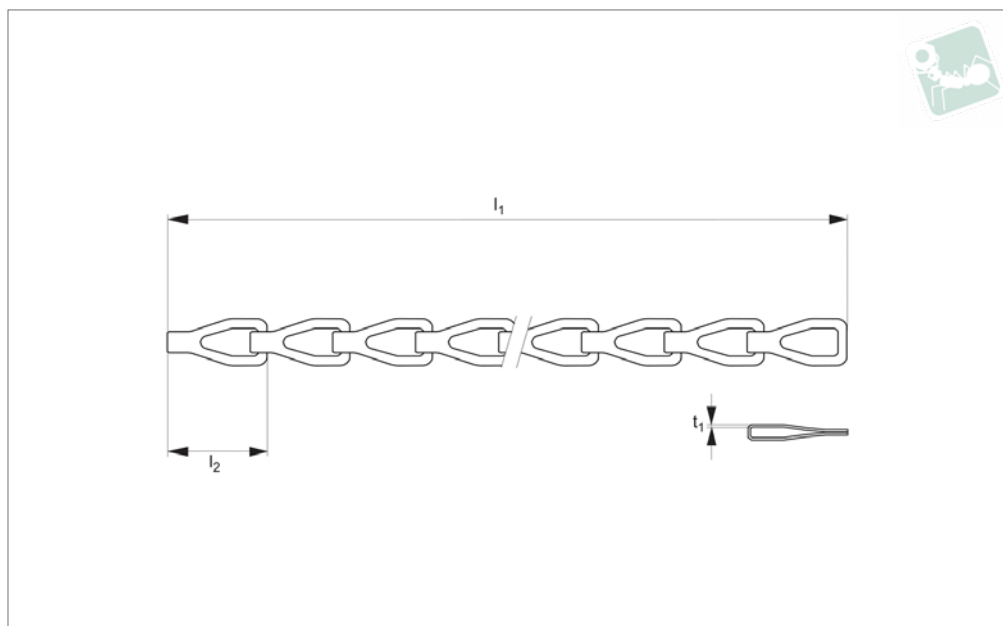
Tips

For use in securing components to assemb-

lies, or to avoid items being misplaced. For a wide range of detent pins and quick release ball lock pins see parts 33010 through 33226. Terminals also available in AISI 304 stainless steel on request. Subject

to min. quantity.

Order No.	Trade size	d ₁	l ₁ nom.	d ₂	d ₃	Terminal material
LA1220.M080-01	10	4.5	80	4.7	6.35	Brass
LA1220.M100-01	10	4.5	100	4.7	6.35	Brass
LA1220.M150-01	10	4.5	150	4.7	6.35	Brass
LA1220.M200-01	10	4.5	200	4.7	6.35	Brass
LA1220.M300-01	10	4.5	300	4.7	6.35	Brass
LA1220.M450-01	10	4.5	450	4.7	6.35	Brass



LA1222

LANYARDS

Material

Brass.

Tips

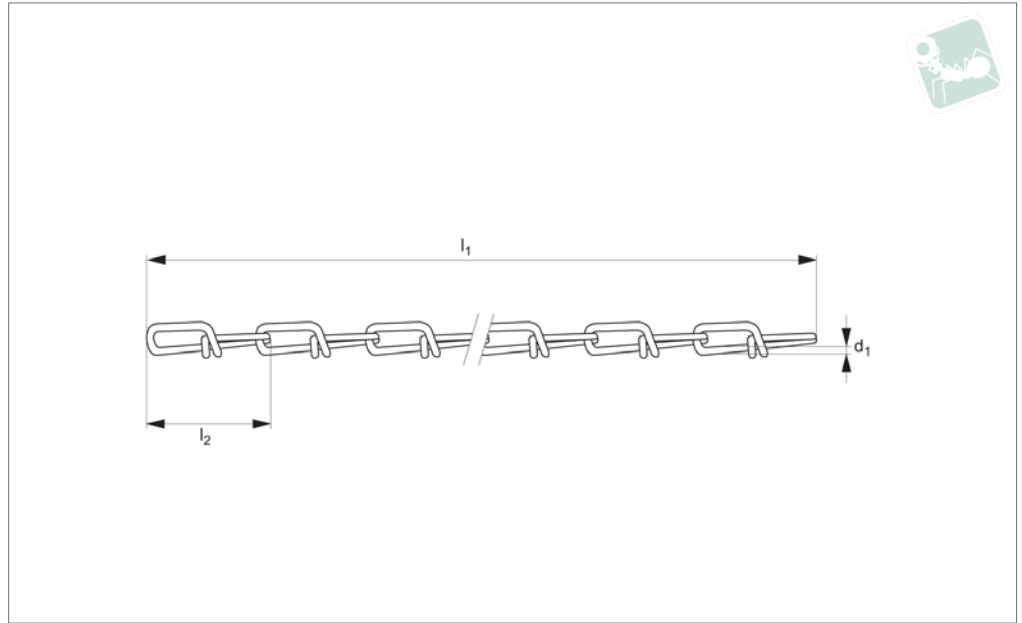
For use in securing components to assemb-

lies, or to avoid items being misplaced. For a wide range of detent pins and quick release ball lock pins see parts 33010 through 33226.

Order No.	Material	Trade size	l_1 nom.	l_2	t_1
LA1222.M100-01-B	Brass	8	100	25	0.95
LA1222.M150-01-B	Brass	8	150	25	0.95
LA1222.M200-01-B	Brass	8	200	25	0.95
LA1222.M300-01-B	Brass	8	300	25	0.95
LA1222.M450-01-B	Brass	8	450	25	0.95



LA1224



Material

Steel (1008), zinc plated.

Tips

For use in securing components to assemb-

lies, or to avoid items being misplaced. For a wide range of detent pins and quick release ball lock pins see parts 33010 through 33226. Terminals also available in

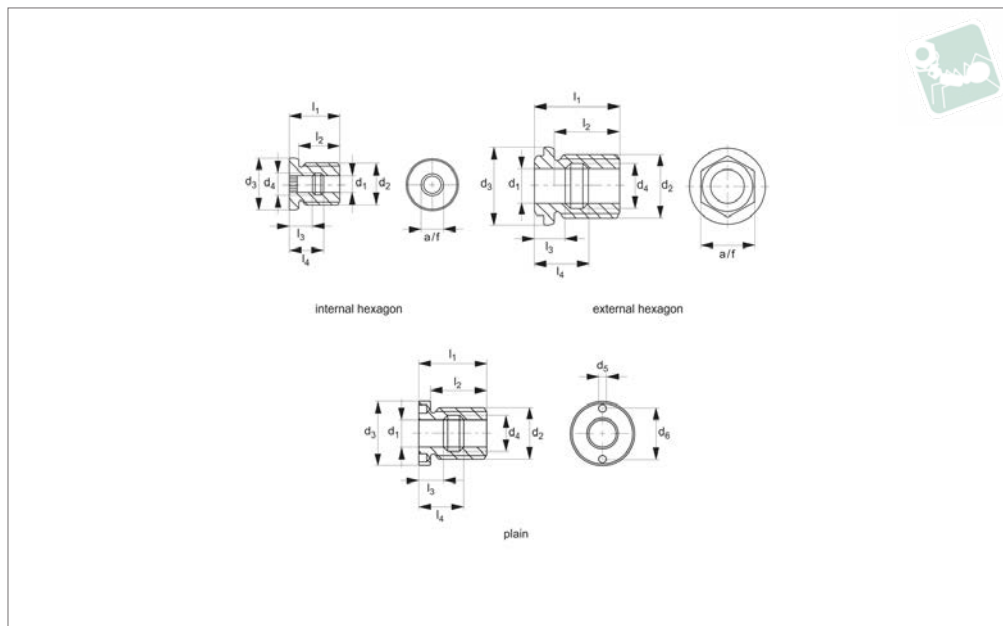
AISI 304 stainless steel on request. Subject to min. quantity.

Order No.	Material	Trade size	d ₁	l ₁ nom.	l ₂
LA1224.M128-01-C	Steel	4	1.8	128	32
LA1224.M192-01-C	Steel	4	1.8	192	32
LA1224.M256-01-C	Steel	4	1.8	256	32
LA1224.M320-01-C	Steel	4	1.8	320	32
LA1224.M448-01-C	Steel	4	1.8	448	32



Locating Bushes for ball lock pins

Lanyards



LA1310

LANYARDS

Material

Body: stainless steel 1.4305. (AISI 303).

Technical Notes

For quick and safe location of single acting ball lock pins - especially in soft materials such as aluminium, or in thin walled

components.

Can be used from both sides. Optimised centering due to precision collar on bush.

Important Notes

l_5 and l_6 refer to depths of ball locating recess when bush is installed flange collar

up, or flange collar inverted (see diagram below).

Use pin face spanner with 5mm pin to install pin mount bushings.

Order No.	Type	d_1 tol. H11	d_2	d_3 tol. h9	d_4	d_5	d_6	Weight g
LA1310.M05-12-S	Int Hex	5	M12	18	6.0	-	-	15
LA1310.M06-12-S	Int Hex	6	M12	18	7.5	-	-	13
LA1310.M08-16-S	Int Hex	8	M16	22	10.0	-	-	29
LA1310.M10-24-S	Int Hex	10	M24	30	12.5	-	-	75
LA1310.M12-24-S	Int Hex	12	M24	30	15.0	-	-	66
LA1310.M16-30-S	Ext Hex	16	M30	36	19.5	-	-	124
LA1310.M20-36-S	Ext Hex	20	M36	45	25.5	-	-	208
LA1310.M25-42-S	Ext Hex	25	M42	50	32.0	-	-	415
LA1310.M16-31-S	Plain	16	M30	39	19.5	5.1	30	160
LA1310.M20-37-S	Plain	20	M36	43	25.5	5.1	30	257
LA1310.M25-43-S	Plain	25	M42	50	32.0	5.1	36	434

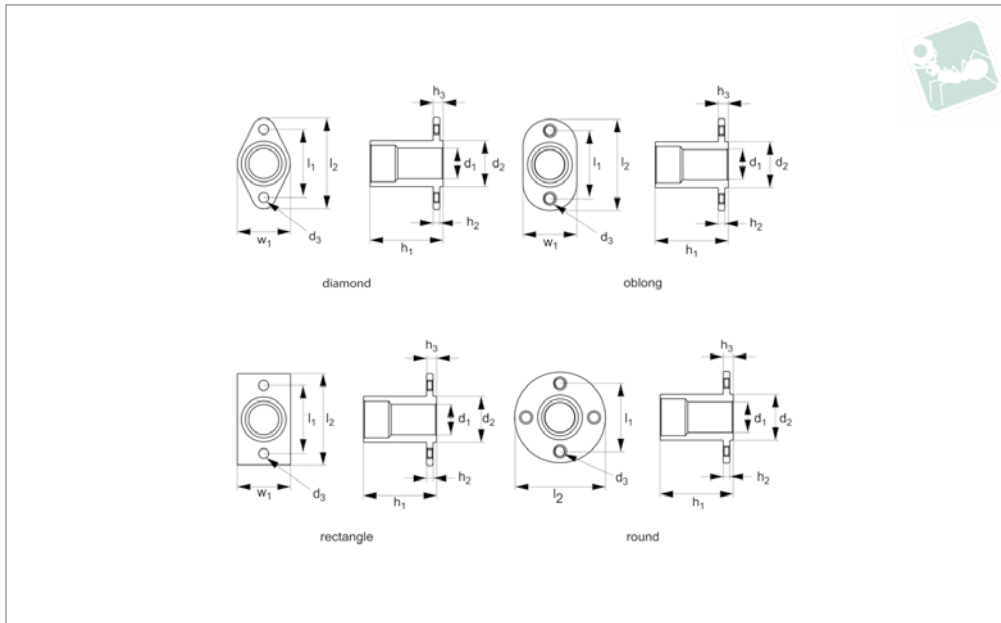
Order No.	l_1	l_2	l_3	l_4	l_5	l_6	A/F
LA1310.M05-12-S	19	15	9.0	13.0	5.1	9.0	5
LA1310.M06-12-S	19	15	9.4	13.0	5.6	8.8	6
LA1310.M08-16-S	25	20	12.0	17.0	7.3	11.7	8
LA1310.M10-24-S	29	24	13.5	19.5	8.9	14.1	10
LA1310.M12-24-S	29	24	14	20	9.6	14.4	12
LA1310.M16-30-S	39	29	15.5	23.5	6.1	12.8	24
LA1310.M20-36-S	49	38	17.5	31.5	7.7	19.3	30
LA1310.M25-42-S	65	50	26.5	38.5	13.3	21.8	36
LA1310.M16-31-S	39	33	15.5	23.5	10.4	16.6	-
LA1310.M20-37-S	49	42	17.5	31.5	11.9	23.1	-
LA1310.M25-43-S	65	57	26.5	38.5	13.3	21.8	-





Flange Bushings - Metric - for Quick stainless steel

Lanyards



LA1315

LANYARDS

Material

Stainless steel, AISI 303.

Technical Notes

Provide permanent and proper locating hole for quick release pins. For use in applications with soft/weak metals, or

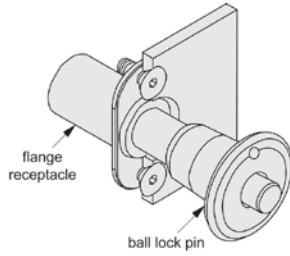
where no proper locking surface is available. Ideal for blind hole applications, as pin will not protrude from base of bushing.

Mounted with screws, rivets or bolts.

Important Notes

Quick release pins must be inserted from flanged end. **When used, bushings reduce the usable or grip length of quick release pin. Refer to 'Grip length reduction' value in data table.

Order No.	Flange style	d ₁ pin dia. nom.	Grip length reduction	d ₅ ±0.13	d ₃	h ₁ +0.0 -0.13	h ₂ ±0.13	h ₃	l ₁ ±0.13	l ₂ ±0.25	w ±0.25
LA1315.M05-DI	Diamond	5	10	9.53	M4	16.51	1.52	1.52	25	31.75	15.88
LA1315.M06-DI	Diamond	6	10	9.53	M4	16.51	1.52	1.52	25	31.75	15.88
LA1315.M08-DI	Diamond	8	13	11.91	M4	19.89	1.52	1.52	25	31.75	15.88
LA1315.M10-DI	Diamond	10	15	14.29	M4	23.19	1.52	1.52	25	31.75	15.88
LA1315.M12-DI	Diamond	12	20	19.05	M5	30.35	2.54	1.52	29	38.10	22.23
LA1315.M05-OB	Oblong	5	10	9.53	M4	16.51	1.52	1.52	25	31.75	15.88
LA1315.M06-OB	Oblong	6	10	9.53	M4	16.51	1.52	1.52	25	31.75	15.88
LA1315.M08-OB	Oblong	8	13	11.91	M4	19.89	1.52	1.52	25	31.75	15.88
LA1315.M10-OB	Oblong	10	15	14.29	M4	23.13	1.52	1.52	25	31.75	15.88
LA1315.M12-OB	Oblong	12	20	19.05	M5	30.35	2.54	1.52	29	38.10	22.23
LA1315.M05-RE	Rectangle	5	10	9.53	M4	16.51	1.52	1.52	25	31.75	15.88
LA1315.M06-RE	Rectangle	6	10	9.53	M4	16.51	1.52	1.52	25	31.75	15.88
LA1315.M08-RE	Rectangle	8	13	11.91	M4	19.89	1.52	1.52	25	31.75	15.88
LA1315.M10-RE	Rectangle	10	15	14.29	M4	23.13	1.52	1.52	25	31.75	15.88
LA1315.M05-RO	Round	5	10	9.53	M4	16.51	1.52	1.52	25	31.75	-
LA1315.M06-RO	Round	6	10	9.53	M4	16.51	1.52	1.52	25	31.75	-
LA1315.M08-RO	Round	8	13	11.91	M4	19.89	1.52	1.52	25	31.75	-
LA1315.M10-RO	Round	10	15	14.29	M4	23.13	1.52	1.52	25	31.75	-
LA1315.M12-RO	Round	12	20	19.05	M5	30.35	2.54	1.52	29	38.10	-

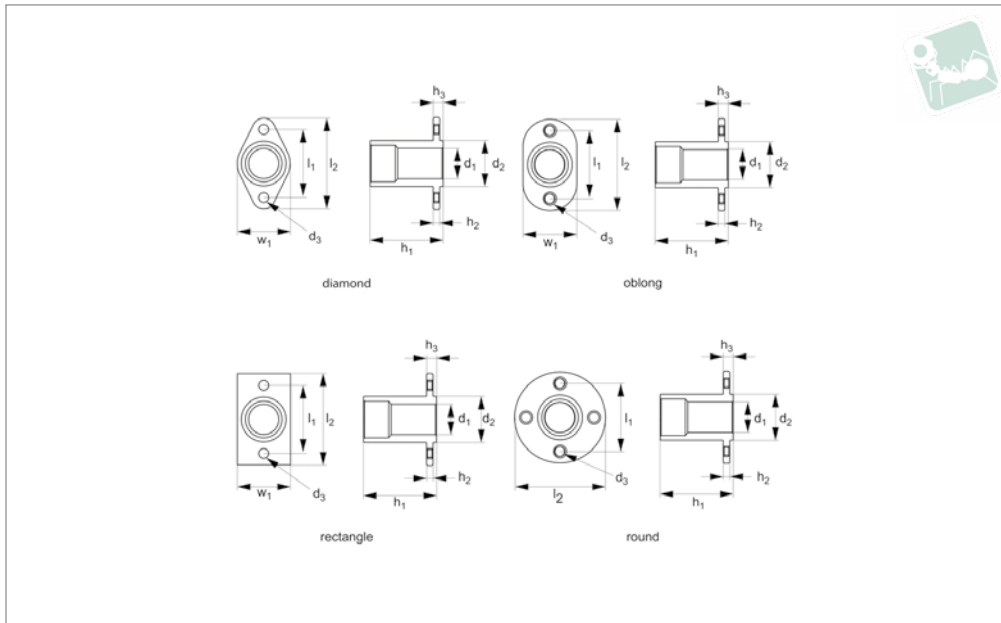


flange receptacles are used to give a permanent mounting hole in materials where the balls have nothing to lock against.



Flange Bushings - Inch - for Quick stainless steel

Lanyards



LA1320

LANYARDS

Material

Stainless steel, AISI 303.

Technical Notes

Provide permanent and proper locating hole for quick release pins. For use in applications with soft/weak metals, or

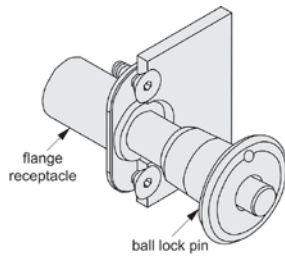
where no proper locking surface is available. Ideal for blind hole applications, as pin will not protrude from base of bushing.

Mounted with screws, rivets or bolts.

Important Notes

Quick release pins must be inserted from flanged end. **When used, bushings reduce the usable or grip length of quick release pin. Refer to 'Grip length reduction' value in data table.

Order No.	Flange style	d ₁ pin dia. nom.	Grip length reduction	d ₂ ±0.005	d ₃	h ₁ +0.000 -0.005	h ₂ ±0.005	h ₃	l ₁ ±0.005	l ₂ ±0.010	w ±0.010
LA1320.I18-DI	Diamond	3/16	,375	,375	6-32	,650	,060	,06	1000	1.25	,625
LA1320.I25-DI	Diamond	1/4	,375	,375	6-32	,650	,060	,06	1000	1.25	,625
LA1320.I31-DI	Diamond	5/16	,500	,469	6-32	,783	,060	,06	1000	1.25	,625
LA1320.I37-DI	Diamond	3/8	,562	,562	6-32	,913	,060	,06	1000	1.25	,625
LA1320.I50-DI	Diamond	1/2	,750	,750	10-32	1195	,100	,06	1125	1.50	,875
LA1320.I18-OB	Oblong	3/16	,375	,375	6-32	,650	,060	,06	1000	1.25	,625
LA1320.I25-OB	Oblong	1/4	,375	,375	6-32	,650	,060	,06	1000	1.25	,625
LA1320.I31-OB	Oblong	5/16	,500	,469	6-32	,783	,060	,06	1000	1.25	,625
LA1320.I37-OB	Oblong	3/8	,562	,562	6-32	,913	,060	,06	1000	1.25	,625
LA1320.I50-OB	Oblong	1/2	,750	,750	10-32	1195	,100	,06	1125	1.50	,875
LA1320.I18-RE	Rectangle	3/16	,375	,375	6-32	,650	,060	,06	1000	1.25	,625
LA1320.I25-RE	Rectangle	1/4	,375	,375	6-32	,650	,060	,06	1000	1.25	,625
LA1320.I31-RE	Rectangle	5/16	,500	,469	6-32	,783	,060	,06	1000	1.25	,625
LA1320.I37-RE	Rectangle	3/8	,562	,562	6-32	,913	,060	,06	1000	1.25	,625
LA1320.I18-RO	Round	3/16	,375	,375	6-32	,650	,060	,06	1000	1.25	-
LA1320.I25-RO	Round	1/4	,375	,375	6-32	,650	,060	,06	1000	1.25	-
LA1320.I31-RO	Round	5/16	,500	,469	6-32	,783	,060	,06	1000	1.25	-
LA1320.I37-RO	Round	3/8	,562	,562	6-32	,913	,060	,06	1000	1.25	-
LA1320.I50-RO	Round	1/2	,750	,750	10-32	1195	,100	,06	1125	1.50	-



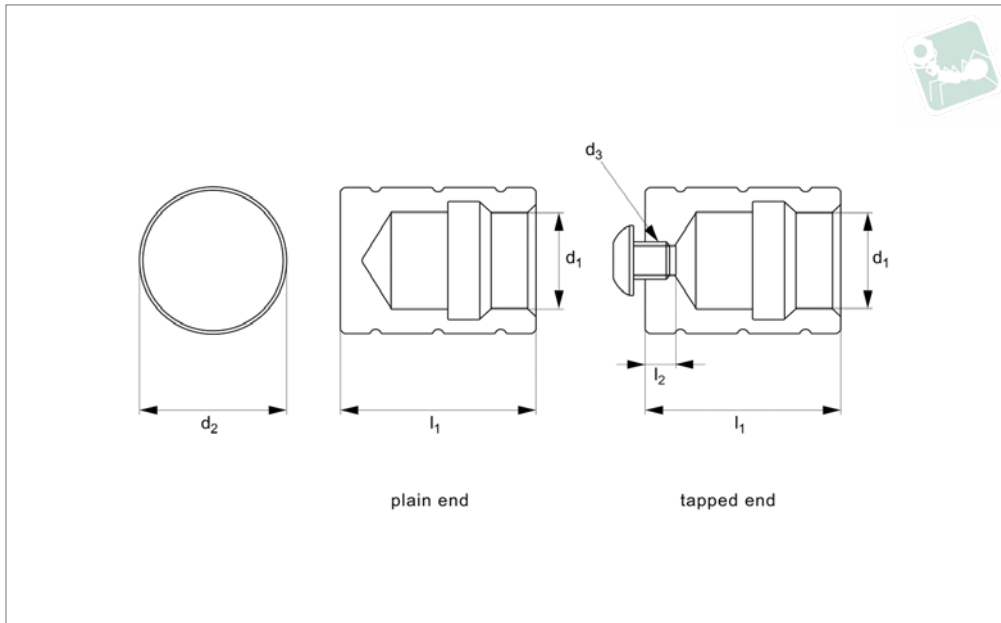
flange receptacles are used to give a permanent mounting hole in materials where the balls have nothing to lock against.



End Caps - Metric - for Quick Release

stainless steel

Lanyards



LA1350

LANYARDS

Material

Stainless steel, AISI 303

Technical Notes

Where the material receiving hole is out of tolerance or not round, end caps allow

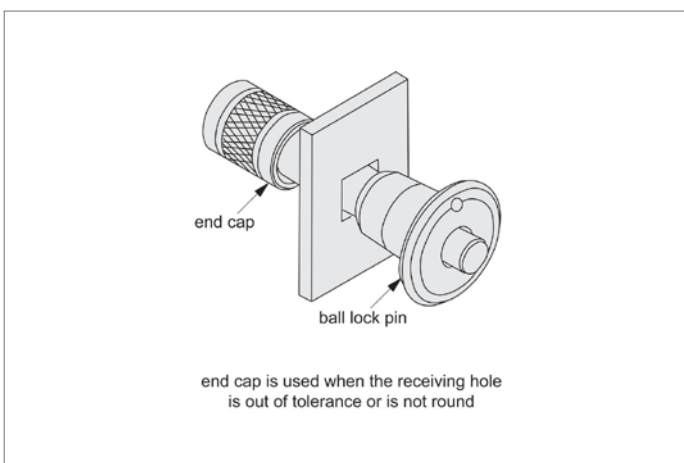
quick release pins still to be used to take advantage of quick component/material change. End caps with tapped end allow fixing of cap to application with lanyard, see part nos. L to LA1224, end caps are

otherwise installed loose.

Important Notes

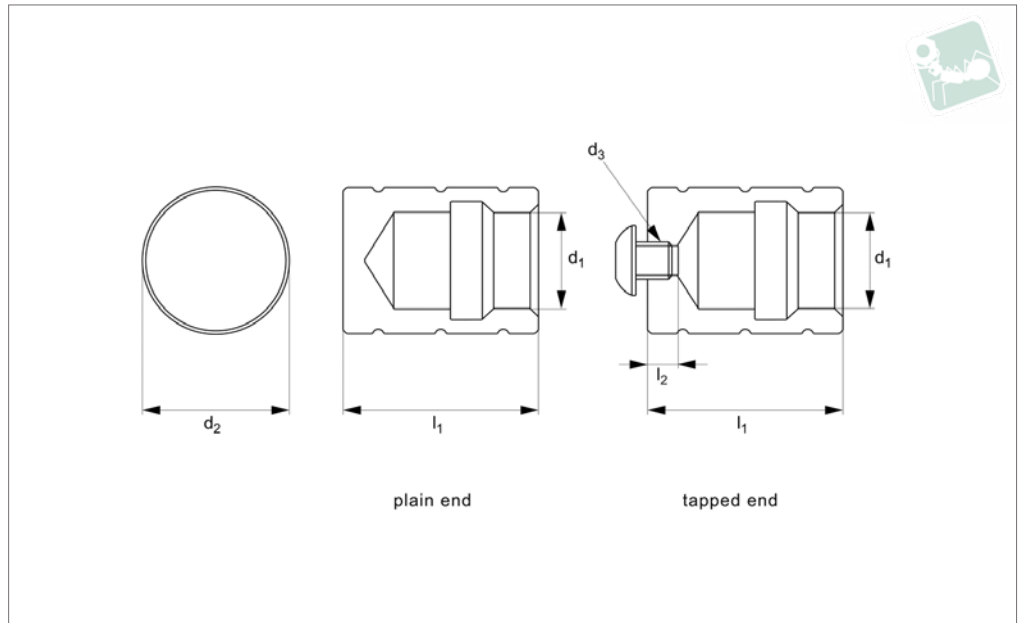
**When used, end cap reduces the usable grip length of quick release pin, refer to 'Grip length reduction' value in data table.

Order No.	End type	d_1 pin dia. nom.	Grip length reduction	d_2	d_3	l_1	l_2 max.
LA1350.M05-P	Plain	5	3	9.53	-	14.73	-
LA1350.M06-P	Plain	6	3	9.53	-	14.73	-
LA1350.M08-P	Plain	8	3	12.70	-	15.88	-
LA1350.M10-P	Plain	10	5	14.29	-	18.54	-
LA1350.M12-P	Plain	12	6	19.05	-	25.40	-
LA1350.M16-P	Plain	16	6	25.40	-	31.75	-
LA1350.M05-T	Tapped	5	3	9.53	M5	14.73	3
LA1350.M06-T	Tapped	6	3	9.53	M5	14.73	3
LA1350.M08-T	Tapped	8	3	12.70	M5	15.88	3
LA1350.M10-T	Tapped	10	5	14.29	M5	18.54	4
LA1350.M12-T	Tapped	12	6	19.05	M5	25.40	4
LA1350.M16-T	Tapped	16	6	25.40	M6	31.75	5





LA1355



Material

Stainless steel, AISI 303

Technical Notes

Where the material receiving hole is out of tolerance or not round, end caps allow

quick release pins still to be used to take advantage of quick component/material change. End caps with tapped end allow fixing of cap to application with lanyard, see part nos. L to LA1224, end caps are

otherwise installed loose.

Important Notes

**When used, end cap reduces the usable grip length of quick release pin, refer to 'Grip length reduction' value in data table.

Order No.	End type	d_1 pin dia. nom.	Grip length reduction	d_2	d_3	l_1	l_2 max.
LA1355.I18-P	Plain	3/16	,125	,375	-	,580	-
LA1355.I25-P	Plain	1/4	,125	,375	-	,580	-
LA1355.I31-P	Plain	5/16	,125	,500	-	,625	-
LA1355.I37-P	Plain	3/8	,187	,563	-	,730	-
LA1355.I50-P	Plain	1/2	,250	,750	-	1000	-
LA1355.I62-P	Plain	5/8	,250	1000	-	1250	-
LA1355.I18-T	Tapped	3/16	,125	,375	10-32	,580	,12
LA1355.I25-T	Tapped	1/4	,125	,375	10-32	,580	,12
LA1355.I31-T	Tapped	5/16	,125	,500	10-32	,625	,12
LA1355.I37-T	Tapped	3/8	,187	,563	10-32	,730	,18
LA1355.I50-T	Tapped	1/2	,250	,750	10-32	1000	,18
LA1355.I62-T	Tapped	5/8	,250	1000	1/4-28	1250	,18

