

08215.N3

OTHER PLASTICS

Material

Polyamide, yellow.

spanner.

Technical Notes

Threaded for installation via screwdriver or

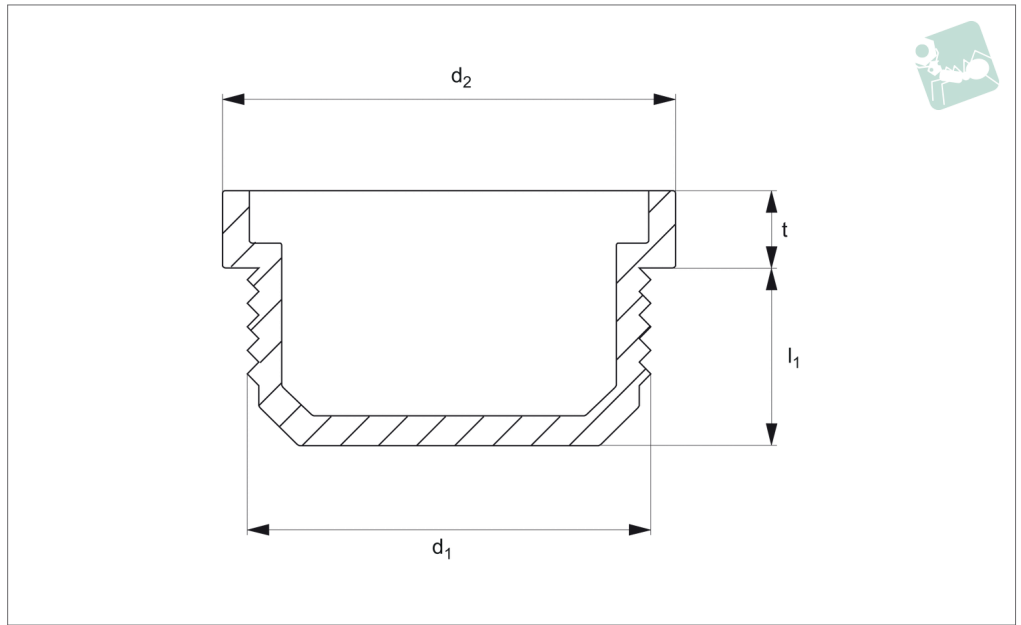
Important Notes

Sold subject to minimum pack quantity.

Order No.	d_1	l_1	l_2	A/F	d_2
08215.AC0881	14,2 - 0,2	7	10	10	M10
08215.AC0883	17,2 - 0,2	10	10	13	M12
08215.AC0885	19,2 - 0,2	10	10	13	M14
08215.AC0887	22,0 - 0,2	10	10	17	M16
08215.AC0889	24,0 - 0,2	10	11	17	M18
08215.AC0891	26,0 - 0,2	10	14	19	M20
08215.AC0893	27,2 - 0,2	10	14	19	M22
08215.AC0895	32,0 - 0,3	13	14	24	M26
08215.AC0897	32,3 - 0,3	13	14	24	M27
08215.AC0899	40,0 - 0,4	13	14	27	M33
08215.AC0901	50,0 - 0,4	13	15	36	M42
08215.AC0949	16.8	9	10	13	1/8"
08215.AC0951	19,0 - 0,2	9	10	13	1/4"
08215.AC0953	22,2 - 0,2	9	11	17	3/8"
08215.AC0955	27,0 - 0,2	12	13	19	1/2"
08215.AC0957	32,3 - 0,3	12	13	24	3/4"
08215.AC0959	40,0 - 0,4	15	14	27	1"
08215.AC0961	50,0 - 0,4	15	15	36	1 1/4"
08215.AC0963	55,4 - 0,4	15	15	41	1 1/2"
08215.AC0965	68.4	15	15	55	2"



08218.N0



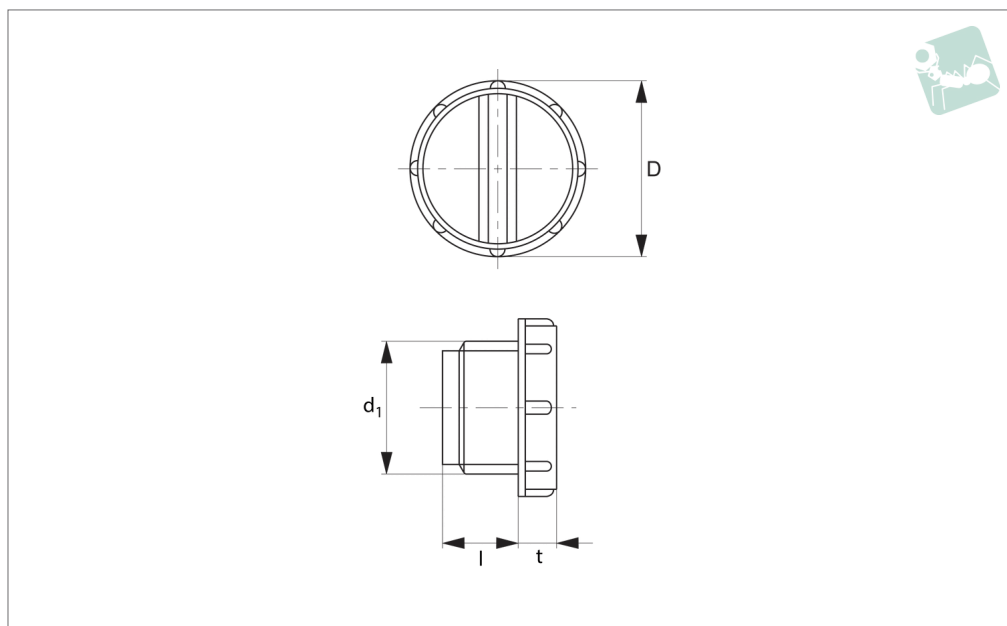
Material

Low density polyethylene, red.

Important Notes

Sold subject to minimum pack quantity.

Order No.	d_1	l_1	t	d_2
08218.AC0851	1/4"	7.0	3.5	19.0
08218.AC0853	3/8"	8.5	3.5	22.5
08218.AC0855	1/2"	10.0	4.5	26.0
08218.AC0857	3/4"	11.5	6.0	32.0
08218.AC0859	1"	13.5	6.0	37.0



08221.N3

OTHER PLASTICS

Material

Low density polyethylene, yellow.

Important Notes

Sold subject to minimum pack quantity.

Order No.	d_1	l	t	d_2
08221.AC0781	21	9	5	1/8"
08221.AC0783	21	9	5	1/4"
08221.AC0785	23	10	6	3/8"
08221.AC0787	28	12	6	1/2"
08221.AC0801	21	9	5	M12
08221.AC0803	21	9	5	M14
08221.AC0805	23	10	6	M16
08221.AC0807	23	10	6	M18
08221.AC0809	28	12	6	M20
08221.AC0811	28	12	6	M22