

N0100.10N

NYLON

Material

Nylon 66 (PA 6/66), standard.
White.

tion, is resistant to corrosion and most dilute acids.

Nylon protects work surfaces and absorbs shocks and vibrations.

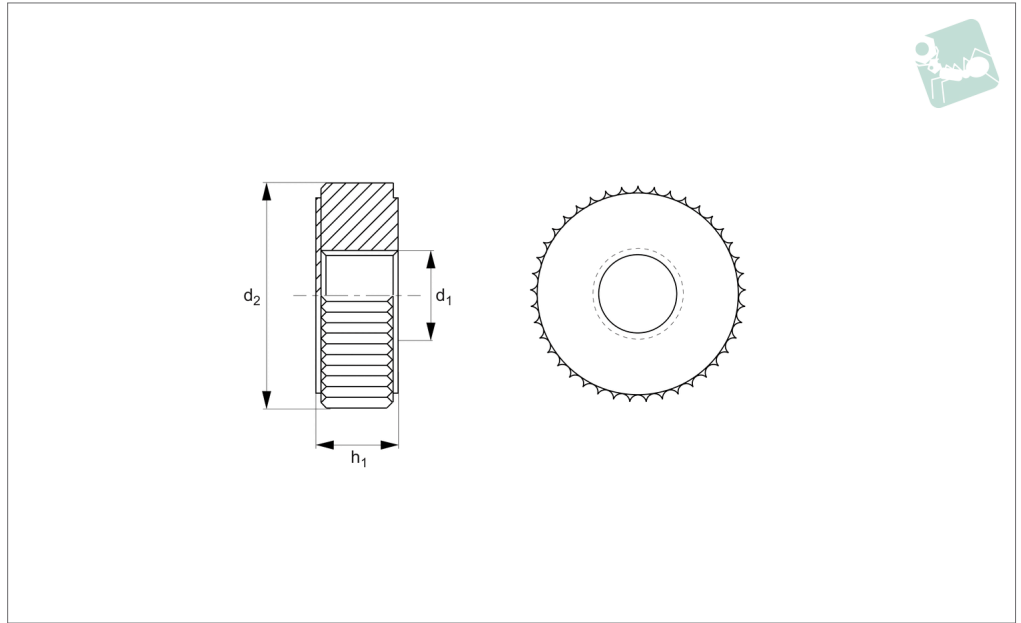
Technical Notes

Nylon parts offer good electrical insula-

Order No.	Type	d ₁	d ₂	d ₃ max.	h ₁ max.	h ₂	Material	Grade	Finish
10N.10312.050.0W	1- short collar	M 3	12.0	8.5	5.0	3.5	PA-6/66	Std	White
10N.10414.050.0W	1- short collar	M 4	14.0	8.5	5.0	3.5	PA-6/66	Std	White
10N.10416.060.0W	1- short collar	M 4	16.0	10.0	6.0	4.5	PA-6/66	Std	White
10N.10420.075.0W	1- short collar	M 4	20.0	10.0	7.5	6.0	PA-6/66	Std	White
10N.10516.060.0W	1- short collar	M 5	16.0	10.0	6.0	4.5	PA-6/66	Std	White
10N.10520.075.0W	1- short collar	M 5	20.0	10.0	7.5	6.0	PA-6/66	Std	White
10N.10616.060.0W	1- short collar	M 6	16.0	10.0	6.0	4.5	PA-6/66	Std	White
10N.10620.075.0W	1- short collar	M 6	20.0	10.0	7.5	6.0	PA-6/66	Std	White
10N.10824.075.0W	1- short collar	M 8	24.0	13.0	7.5	6.0	PA-6/66	Std	White
10N.20312.070.0W	2- long collar	M 3	12.0	7.0	7.0	3.5	PA-6/66	Std	White
10N.20412.070.0W	2- long collar	M 4	12.0	7.0	7.0	3.5	PA-6/66	Std	White
10N.20416.080.0W	2- long collar	M 4	16.0	9.5	8.0	4.5	PA-6/66	Std	White
10N.20514.070.0W	2- long collar	M 5	14.0	8.8	7.0	3.5	PA-6/66	Std	White
10N.20516.080.0W	2- long collar	M 5	16.0	9.5	8.0	4.5	PA-6/66	Std	White
10N.20520.110.0W	2- long collar	M 5	20.0	13.0	11.0	6.0	PA-6/66	Std	White
10N.20616.080.0W	2- long collar	M 6	16.0	9.5	8.0	4.5	PA-6/66	Std	White
10N.20620.110.0W	2- long collar	M 6	20.0	13.0	11.0	6.0	PA-6/66	Std	White



N0102



Material

Nylon 66 (PA 6/66), 25% glass filled.
Natural.

Technical Notes

Many Nylon parts are available in dyed

black, this subject to a minimum value and process charge, please contact us for further details.

Dyed black colour is not long term UV stable. Nylon parts offer good electrical

insulation, is resistant to corrosion and most dilute acids.

Nylon protects work surfaces and absorbs shocks and vibrations.

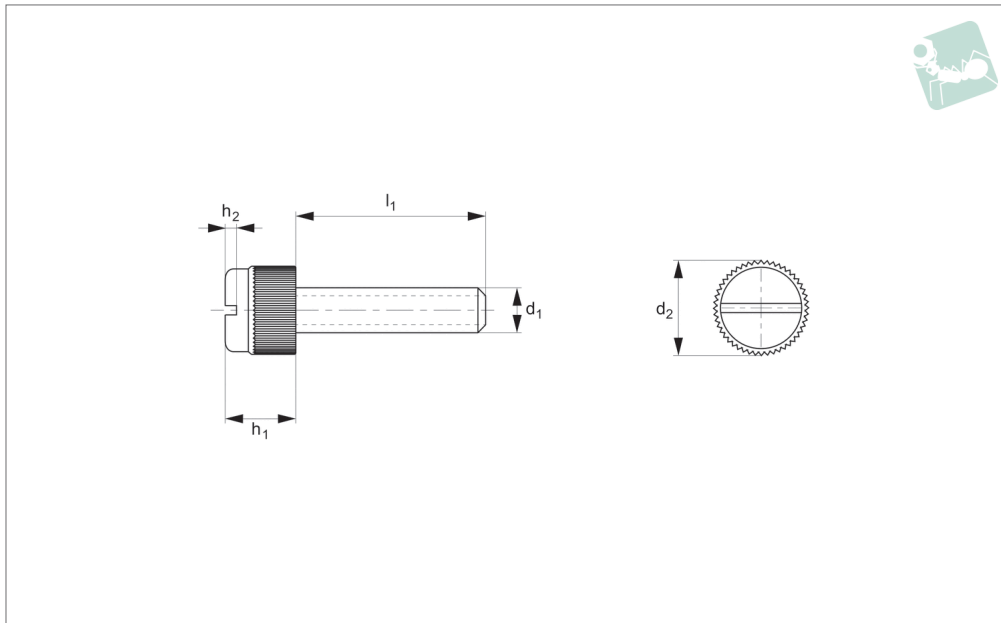
Order No.	d ₁	d ₂	h ₁ max.	Material	Grade	Finish
N0102.030.1W	M 3	8.0	3.5	PA-6/66	Glass 0.2	White
N0102.040.1W	M 4	10.0	4.2	PA-6/66	Glass 0.2	White
N0102.050.1W	M 5	13.0	5.2	PA-6/66	Glass 0.2	White
N0102.060.1W	M 6	12.5	6.0	PA-6/66	Glass 0.2	White
N0102.080.1W	M 8	17.5	8.3	PA-6/66	Glass 0.2	White
N0102.100.1W	M10	21.5	10.0	PA-6/66	Glass 0.2	White



Narrow Head Thumb Screw Slotted

Narrow Head

Nylon



N0103.NO

NYLON

Material
Nylon.

Technical Notes
Nylon knurled thumb screw slotted - narrow head.

Order No.	Thread	h_1	h_2	l
N0103.030-004-N0-00	M 3	5.2	1.0	4
N0103.030-005-N0-00	M 3	5.2	1.0	5
N0103.030-006-N0-00	M 3	5.2	1.0	6
N0103.030-008-N0-00	M 3	5.2	1.0	8
N0103.030-010-N0-00	M 3	5.2	1.0	10
N0103.030-012-N0-00	M 3	5.2	1.0	12
N0103.030-016-N0-00	M 3	5.2	1.0	16
N0103.030-020-N0-00	M 3	5.2	1.0	20
N0103.030-025-N0-00	M 3	5.2	1.0	25
N0103.030-030-N0-00	M 3	5.2	1.0	30
N0103.030-035-N0-00	M 3	5.2	1.0	35
N0103.035-006-N0-00	M3,5	6.1	1.1	6
N0103.035-008-N0-00	M3,5	6.1	1.1	8
N0103.035-010-N0-00	M3,5	6.1	1.1	10
N0103.035-012-N0-00	M3,5	6.1	1.1	12
N0103.035-016-N0-00	M3,5	6.1	1.1	16
N0103.035-020-N0-00	M3,5	6.1	1.1	20
N0103.035-025-N0-00	M3,5	6.1	1.1	25
N0103.035-035-N0-00	M3,5	6.1	1.1	35
N0103.040-006-N0-00	M 4	7.1	1.2	6
N0103.040-010-N0-00	M 4	7.1	1.2	10
N0103.040-012-N0-00	M 4	7.1	1.2	12
N0103.040-016-N0-00	M 4	7.1	1.2	16
N0103.040-020-N0-00	M 4	7.1	1.2	20
N0103.040-025-N0-00	M 4	7.1	1.2	25
N0103.040-030-N0-00	M 4	7.1	1.2	30
N0103.040-035-N0-00	M 4	7.1	1.2	35
N0103.040-040-N0-00	M 4	7.1	1.2	40
N0103.050-006-N0-00	M 5	7.7	1.3	6
N0103.050-008-N0-00	M 5	7.7	1.3	8
N0103.050-010-N0-00	M 5	7.7	1.3	10
N0103.050-012-N0-00	M 5	7.7	1.3	12
N0103.050-016-N0-00	M 5	7.7	1.3	16
N0103.050-020-N0-00	M 5	7.7	1.3	20
N0103.050-025-N0-00	M 5	7.7	1.3	25



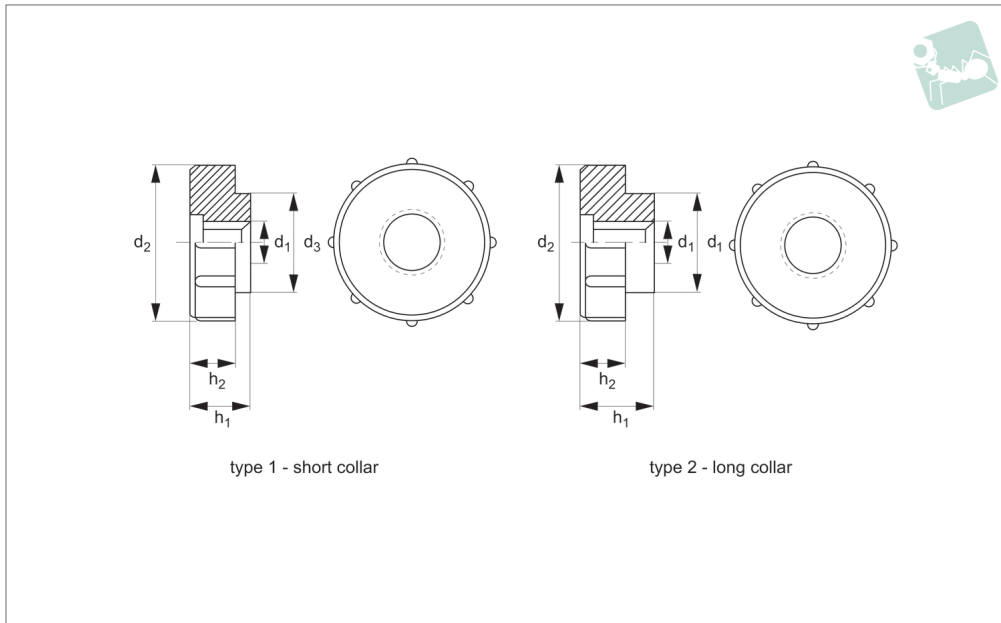
Order No.	Thread	h ₁	h ₂	l
N0103.050-030-N0-00	M 5	7.7	1.3	30
N0103.050-040-N0-00	M 5	7.7	1.3	40
N0103.060-005-N0-00	M 6	7.75	1.14	5
N0103.060-008-N0-00	M 6	7.75	1.14	8
N0103.060-010-N0-00	M 6	7.75	1.14	10
N0103.060-016-N0-00	M 6	7.75	1.14	16
N0103.060-020-N0-00	M 6	7.75	1.14	20
N0103.060-025-N0-00	M 6	7.75	1.14	25
N0103.060-035-N0-00	M 6	7.75	1.14	35
N0103.060-040-N0-00	M 6	7.75	1.14	40
N0103.060-050-N0-00	M 6	7.75	1.14	50
N0103.060-060-N0-00	M 6	7.75	1.14	60
N0103.060-070-N0-00	M 6	7.75	1.14	70
N0103.060-075-N0-00	M 6	7.75	1.14	75



Knurled Thumb Nuts

coarse kurl

Nylon



N0106.06N

NYLON

Material

Nylon 66 (PA 6/66), standard.
White or black.

Technical Notes

Many Nylon parts are available in dyed

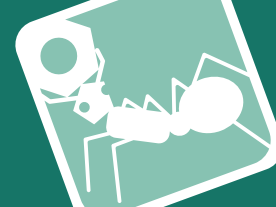
black, this subject to a minimum value and process charge, please contact us for further details.

Dyed black colour is not long term UV stable. Nylon parts offer good electrical

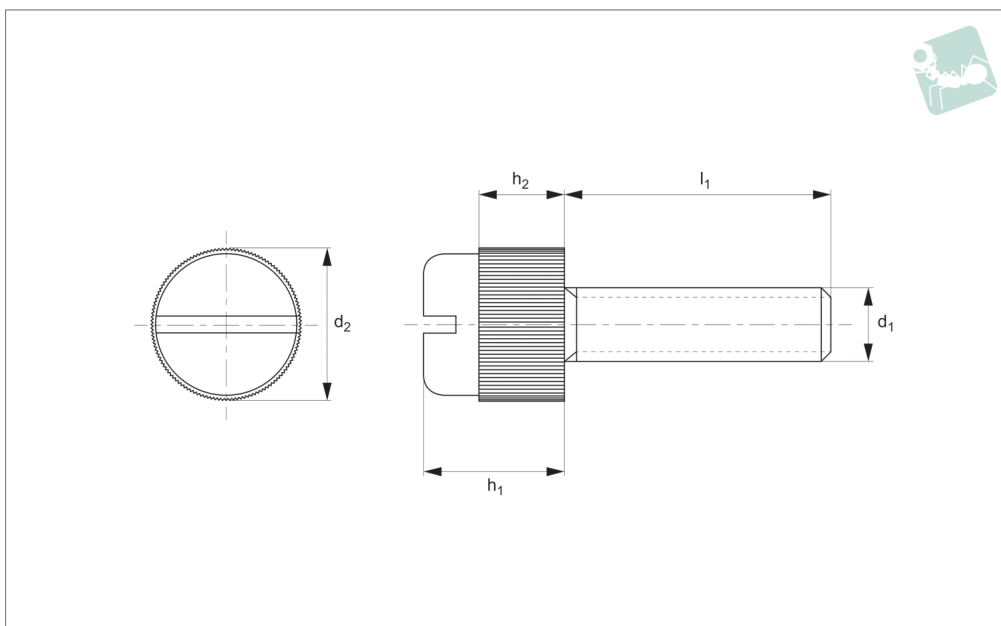
insulation, is resistant to corrosion and most dilute acids.

Nylon protects work surfaces and absorbs shocks and vibrations.

Order No.	Type	d ₁	d ₂	d ₃ max.	h ₁ max.	h ₂	Material	Grade	Finish
06N.10416.060.0W	one - short collar	M 4	16.0	9.5	6.0	4.5	PA-6/66	Std.	White
06N.10416.065.0W	one - short collar	M 4	16.0	10.0	6.5	4.5	PA-6/66	Std.	White
06N.10420.065.0W	one - short collar	M 4	20.0	10.0	6.5	5.0	PA-6/66	Std.	White
06N.10516.060.0W	one - short collar	M 5	16.0	10.0	6.0	4.5	PA-6/66	Std.	White
06N.10520.065.0W	one - short collar	M 5	20.0	10.0	6.5	5.0	PA-6/66	Std.	White
06N.10616.060.0W	one - short collar	M 6	16.0	10.0	6.0	4.5	PA-6/66	Std.	White
06N.10620.065.0W	one - short collar	M 6	20.0	10.0	6.5	5.0	PA-6/66	Std.	White
06N.10620.078.0W	one - short collar	M 6	20.0	10.0	7.8	6.0	PA-6/66	Std.	White
06N.10624.075.0W	one - short collar	M 6	24.0	10.0	7.5	5.7	PA-6/66	Std.	White
06N.20416.080.0W	two - long collar	M 4	16.0	9.5	8.0	4.5	PA-6/66	Std.	White
06N.20516.080.0W	two - long collar	M 5	16.0	9.5	8.0	4.5	PA-6/66	Std.	White
06N.20524.075.0W	two - long collar	M 5	24.0	10.0	7.5	5.7	PA-6/66	Std.	White
06N.20616.080.0W	two - long collar	M 6	16.0	9.5	8.0	4.5	PA-6/66	Std.	White
06N.20624.110.0W	two - long collar	M 6	24.0	13.0	11.0	6.0	PA-6/66	Std.	White



N0150.03N



Material

Nylon PA-6/66 (Std - standard grade),
natural.

Order No.	d ₁	d ₂	h ₁	h ₂	l	Material	Grade	Finish
03N.030.0060.OA	M 3	7.8	5.4	3.3	6	PA-6/66	Std.	Natural
03N.030.0080.OA	M 3	7.8	5.4	3.3	8	PA-6/66	Std.	Natural
03N.030.0100.OA	M 3	7.8	5.4	3.3	10	PA-6/66	Std.	Natural
03N.030.0120.OA	M 3	7.8	5.4	3.3	12	PA-6/66	Std.	Natural
03N.030.0160.OA	M 3	7.8	5.4	3.3	16	PA-6/66	Std.	Natural
03N.030.0200.OA	M 3	7.8	5.4	3.3	20	PA-6/66	Std.	Natural
03N.030.0250.OA	M 3	7.8	5.4	3.3	25	PA-6/66	Std.	Natural
03N.030.0300.OA	M 3	7.8	5.4	3.3	30	PA-6/66	Std.	Natural
03N.040.0060.OA	M 4	9.4	7.0	4.8	6	PA-6/66	Std.	Natural
03N.040.0080.OA	M 4	9.4	7.0	4.8	8	PA-6/66	Std.	Natural
03N.040.0100.OA	M 4	9.4	7.0	4.8	10	PA-6/66	Std.	Natural
03N.040.0120.OA	M 4	9.4	7.0	4.8	12	PA-6/66	Std.	Natural
03N.040.0160.OA	M 4	9.4	7.0	4.8	16	PA-6/66	Std.	Natural
03N.040.0200.OA	M 4	9.4	7.0	4.8	20	PA-6/66	Std.	Natural
03N.040.0250.OA	M 4	9.4	7.0	4.8	25	PA-6/66	Std.	Natural
03N.050.0060.OA	M 5	9.7	7.7	5.3	6	PA-6/66	Std.	Natural
03N.050.0080.OA	M 5	9.7	7.7	5.3	8	PA-6/66	Std.	Natural
03N.050.0100.OA	M 5	9.7	7.7	5.3	10	PA-6/66	Std.	Natural
03N.050.0120.OA	M 5	9.7	7.7	5.3	12	PA-6/66	Std.	Natural
03N.050.0150.OA	M 5	9.7	7.7	5.3	15	PA-6/66	Std.	Natural
03N.050.0160.OA	M 5	9.7	7.7	5.3	16	PA-6/66	Std.	Natural
03N.050.0170.OA	M 5	9.7	7.7	5.3	17	PA-6/66	Std.	Natural
03N.050.0200.OA	M 5	9.7	7.7	5.3	20	PA-6/66	Std.	Natural
03N.050.0250.OA	M 5	9.7	7.7	5.3	25	PA-6/66	Std.	Natural
03N.050.0300.OA	M 5	9.7	7.7	5.3	30	PA-6/66	Std.	Natural
03N.050.0350.OA	M 5	9.7	7.7	5.3	35	PA-6/66	Std.	Natural
03N.050.0400.OA	M 5	9.7	7.7	5.3	40	PA-6/66	Std.	Natural
03N.050.0450.OA	M 5	9.7	7.7	5.3	45	PA-6/66	Std.	Natural
03N.050.0500.OA	M 5	9.7	7.7	5.3	50	PA-6/66	Std.	Natural
03N.050.0550.OA	M 5	9.7	7.7	5.3	55	PA-6/66	Std.	Natural
03N.050.0600.OA	M 5	9.7	7.7	5.3	60	PA-6/66	Std.	Natural
03N.050.0700.OA	M 5	9.7	7.7	5.3	70	PA-6/66	Std.	Natural
03N.060.0060.OA	M 6	11.9	7.5	5.8	6	PA-6/66	Std.	Natural
03N.060.0080.OA	M 6	11.9	7.5	5.8	8	PA-6/66	Std.	Natural
03N.060.0100.OA	M 6	11.9	7.5	5.8	10	PA-6/66	Std.	Natural

Knurled Thumb Screw

fine knurl, slotted

Nylon



Order No.	d ₁	d ₂	h ₁	h ₂	l	Material	Grade	Finish
03N.060.0120.0A	M 6	11.9	7.5	5.8	12	PA-6/66	Std.	Natural
03N.060.0150.0A	M 6	11.9	7.5	5.8	15	PA-6/66	Std.	Natural
03N.060.0160.0A	M 6	11.9	7.5	5.8	16	PA-6/66	Std.	Natural
03N.060.0170.0A	M 6	11.9	7.5	5.8	17	PA-6/66	Std.	Natural
03N.060.0200.0A	M 6	11.9	7.5	5.8	20	PA-6/66	Std.	Natural
03N.060.0250.0A	M 6	11.9	7.5	5.8	25	PA-6/66	Std.	Natural
03N.060.0300.0A	M 6	11.9	7.5	5.8	30	PA-6/66	Std.	Natural
03N.060.0350.0A	M 6	11.9	7.5	5.8	35	PA-6/66	Std.	Natural
03N.060.0400.0A	M 6	11.9	7.5	5.8	40	PA-6/66	Std.	Natural
03N.060.0450.0A	M 6	11.9	7.5	5.8	45	PA-6/66	Std.	Natural
03N.060.0500.0A	M 6	11.9	7.5	5.8	50	PA-6/66	Std.	Natural
03N.060.0600.0A	M 6	11.9	7.5	5.8	60	PA-6/66	Std.	Natural
03N.060.0700.0A	M 6	11.9	7.5	5.8	70	PA-6/66	Std.	Natural
03N.060.0750.0A	M 6	11.9	7.5	5.8	75	PA-6/66	Std.	Natural
03N.060.0800.0A	M 6	11.9	7.5	5.8	80	PA-6/66	Std.	Natural
03N.060.0850.0A	M 6	11.9	7.5	5.8	85	PA-6/66	Std.	Natural
03N.060.0900.0A	M 6	11.9	7.5	5.8	90	PA-6/66	Std.	Natural
03N.060.0950.0A	M 6	11.9	7.5	5.8	95	PA-6/66	Std.	Natural
03N.060.1000.0A	M 6	11.9	7.5	5.8	100	PA-6/66	Std.	Natural
03N.060.1100.0A	M 6	11.9	7.5	5.8	110	PA-6/66	Std.	Natural
03N.060.1200.0A	M 6	11.9	7.5	5.8	120	PA-6/66	Std.	Natural
03N.060.1300.0A	M 6	11.9	7.5	5.8	130	PA-6/66	Std.	Natural
03N.080.0060.0A	M 8	11.9	7.5	5.8	6	PA-6/66	Std.	Natural
03N.080.0080.0A	M 8	11.9	7.5	5.8	8	PA-6/66	Std.	Natural
03N.080.0100.0A	M 8	11.9	7.5	5.8	10	PA-6/66	Std.	Natural
03N.080.0120.0A	M 8	11.9	7.5	5.8	12	PA-6/66	Std.	Natural
03N.080.0150.0A	M 8	11.9	7.5	5.8	15	PA-6/66	Std.	Natural
03N.080.0160.0A	M 8	11.9	7.5	5.8	16	PA-6/66	Std.	Natural
03N.080.0170.0A	M 8	11.9	7.5	5.8	17	PA-6/66	Std.	Natural
03N.080.0200.0A	M 8	11.9	7.5	5.8	20	PA-6/66	Std.	Natural
03N.080.0250.0A	M 8	11.9	7.5	5.8	25	PA-6/66	Std.	Natural
03N.080.0300.0A	M 8	11.9	7.5	5.8	30	PA-6/66	Std.	Natural
03N.080.0350.0A	M 8	11.9	7.5	5.8	35	PA-6/66	Std.	Natural
03N.080.0400.0A	M 8	11.9	7.5	5.8	40	PA-6/66	Std.	Natural
03N.080.0450.0A	M 8	11.9	7.5	5.8	45	PA-6/66	Std.	Natural
03N.080.0500.0A	M 8	11.9	7.5	5.8	50	PA-6/66	Std.	Natural
03N.080.0600.0A	M 8	11.9	7.5	5.8	60	PA-6/66	Std.	Natural
03N.080.0700.0A	M 8	11.9	7.5	5.8	70	PA-6/66	Std.	Natural
03N.080.0750.0A	M 8	11.9	7.5	5.8	75	PA-6/66	Std.	Natural
03N.080.0800.0A	M 8	11.9	7.5	5.8	80	PA-6/66	Std.	Natural
03N.080.0850.0A	M 8	11.9	7.5	5.8	85	PA-6/66	Std.	Natural
03N.080.0900.0A	M 8	11.9	7.5	5.8	90	PA-6/66	Std.	Natural
03N.080.0950.0A	M 8	11.9	7.5	5.8	95	PA-6/66	Std.	Natural
03N.080.1000.0A	M 8	11.9	7.5	5.8	100	PA-6/66	Std.	Natural
03N.080.1100.0A	M 8	11.9	7.5	5.8	110	PA-6/66	Std.	Natural
03N.080.1200.0A	M 8	11.9	7.5	5.8	120	PA-6/66	Std.	Natural
03N.080.1300.0A	M 8	11.9	7.5	5.8	130	PA-6/66	Std.	Natural

NYLON