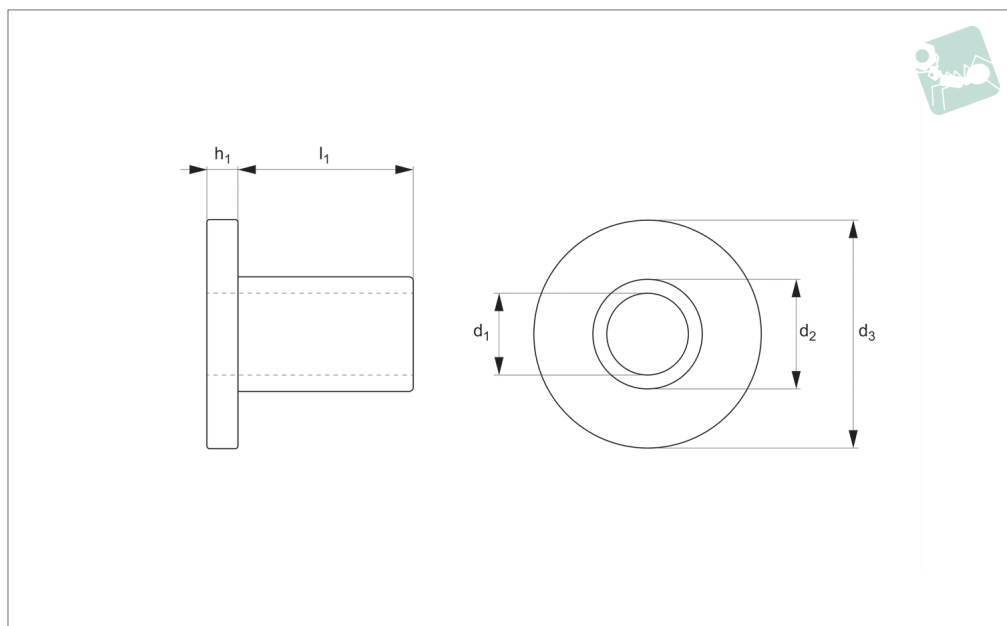




Shoulder Washer Standard

Nylon



N0427.NO

NYLON

Material

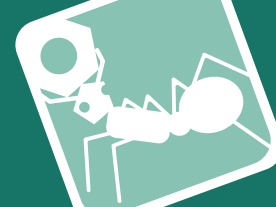
Nylon.

Nylon shoulder washers are suitable for a large variety of insulation and mechanical applications.

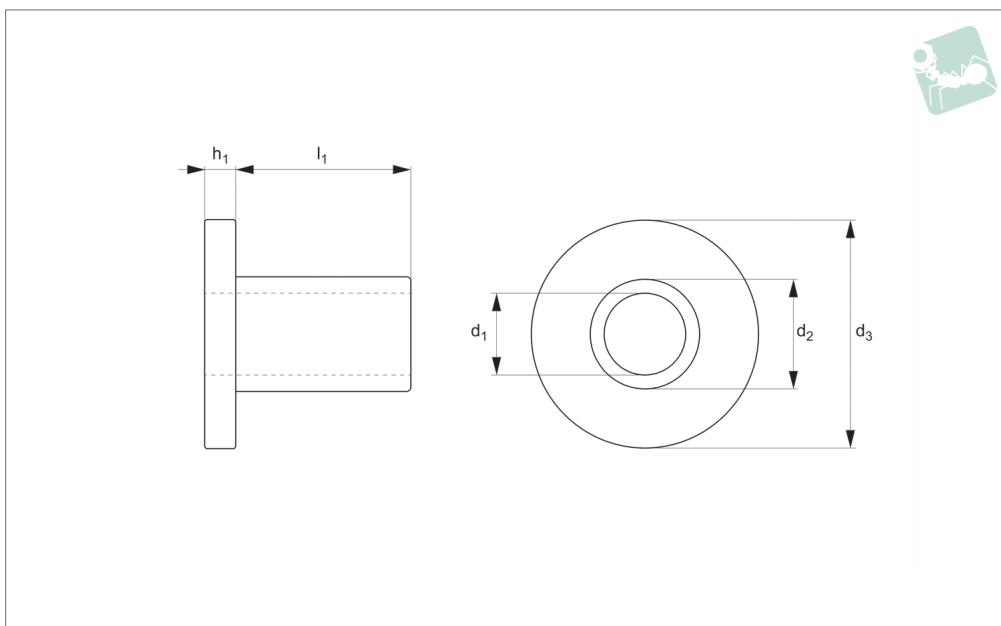
Technical Notes

Nylon shoulder washer.

Order No.	d ₁	d ₂	d ₃	h	l
N0427.030-007	3.56	4.32	11.43	1.19	7.16
N0427.030-006	3.56	5.94	7.49	0.79	5.55
N0427.040-002	4.06	4.93	7.62	1.19	1.59
N0427.040-010	4.34	6.35	12.95	1.59	10.32
N0427.040-011	4.39	5.21	8.74	1.59	9.53
N0427.050-011	5.08	6.60	10.13	1.59	9.53
N0427.050-005	5.08	7.92	12.57	1.65	4.75
N0427.060-014	6.48	9.53	13.97	1.59	14.29
N0427.060-002	6.53	8.71	12.83	1.59	2.38
N0427.060-006	6.63	7.93	13.03	1.59	9.53
N0427.080-010	8.18	10.92	18.80	1.65	10.03
N0427.080-006	8.26	9.53	11.89	1.19	5.55
N0427.080-001	8.51	9.40	14.28	0.61	1.19
N0427.100-013	10.31	11.93	24.03	1.98	13.49
N0427.100-011	10.67	11.94	18.03	1.90	10.67
N0427.120-008	12.70	14.30	18.92	0.79	7.94
N0427.120-005	12.95	15.95	19.06	1.59	4.76
N0427.120-010	12.95	16.08	22.22	3.17	9.53
N0427.130-007	13.08	19.10	28.07	3.18	7.14
N0427.160-013	16.13	19.05	22.23	1.59	12.70



N6060.60N.1



Material

Nylon 66 (PA 6/66), standard.). Natural or black.

„fine/close fit“ tolerance for metric fastener and clearance hole. For normal and loose fit tolerances please make your own calculations. Nylon parts offer good electrical insulation, are resistant to corro-

sion and most dilute acids. Nylon protects work surfaces and absorbs shocks and vibrations. Other sizes available.

Technical Notes

**For thread“ recommendation based on

Order No.	d ₁	For thread inch	d ₂	d ₃	h	l	Material	Grade	Colour
60N.030061.020A	3.0	M2,5	6.1	8.2	1.2	2.0	PA 6/66	Std.	Natural
60N.030061.030A	3.0	M2,5	6.1	8.2	1.2	3.0	PA 6/66	Std.	Natural
60N.030061.040A	3.0	M2,5	6.1	8.2	1.2	4.0	PA 6/66	Std.	Natural
60N.030061.050A	3.0	M2,5	6.1	8.2	1.2	5.0	PA 6/66	Std.	Natural
60N.030061.060A	3.0	M2,5	6.1	8.2	1.2	6.0	PA 6/66	Std.	Natural
60N.030061.070A	3.0	M2,5	6.1	8.2	1.2	7.0	PA 6/66	Std.	Natural
60N.030061.080A	3.0	M2,5	6.1	8.2	1.2	8.0	PA 6/66	Std.	Natural
60N.030061.090A	3.0	M2,5	6.1	8.2	1.2	9.0	PA 6/66	Std.	Natural
60N.030061.100A	3.0	M2,5	6.1	8.2	1.2	10.0	PA 6/66	Std.	Natural
60N.030061.110A	3.0	M2,5	6.1	8.2	1.2	11.0	PA 6/66	Std.	Natural
60N.030061.120A	3.0	M2,5	6.1	8.2	1.2	12.0	PA 6/66	Std.	Natural
60N.030061.130A	3.0	M2,5	6.1	8.2	1.2	13.0	PA 6/66	Std.	Natural
60N.030061.140A	3.0	M2,5	6.1	8.2	1.2	14.0	PA 6/66	Std.	Natural
60N.030061.150A	3.0	M2,5	6.1	8.2	1.2	15.0	PA 6/66	Std.	Natural
60N.030061.160A	3.0	M2,5	6.1	8.2	1.2	16.0	PA 6/66	Std.	Natural
60N.030061.170A	3.0	M2,5	6.1	8.2	1.2	17.0	PA 6/66	Std.	Natural
60N.030061.180A	3.0	M2,5	6.1	8.2	1.2	18.0	PA 6/66	Std.	Natural
60N.030061.190A	3.0	M2,5	6.1	8.2	1.2	19.0	PA 6/66	Std.	Natural
60N.030061.200A	3.0	M2,5	6.1	8.2	1.2	20.0	PA 6/66	Std.	Natural
60N.030061.210A	3.0	M2,5	6.1	8.2	1.2	21.0	PA 6/66	Std.	Natural
60N.030061.220A	3.0	M2,5	6.1	8.2	1.2	22.0	PA 6/66	Std.	Natural
60N.030061.230A	3.0	M2,5	6.1	8.2	1.2	23.0	PA 6/66	Std.	Natural
60N.030061.240A	3.0	M2,5	6.1	8.2	1.2	24.0	PA 6/66	Std.	Natural
60N.030061.250A	3.0	M2,5	6.1	8.2	1.2	25.0	PA 6/66	Std.	Natural
60N.030061.260A	3.0	M2,5	6.1	8.2	1.2	26.0	PA 6/66	Std.	Natural
60N.030061.270A	3.0	M2,5	6.1	8.2	1.2	27.0	PA 6/66	Std.	Natural
60N.030061.280A	3.0	M2,5	6.1	8.2	1.2	28.0	PA 6/66	Std.	Natural
60N.030061.290A	3.0	M2,5	6.1	8.2	1.2	29.0	PA 6/66	Std.	Natural
60N.030061.300A	3.0	M2,5	6.1	8.2	1.2	30.0	PA 6/66	Std.	Natural
60N.043067.027A	4.3	M 4	6.7	12.2	1.3	2.7	PA 6/66	Std.	Natural
60N.043067.040A	4,3	M 4	6,7	12,2	1,3	4,0	PA 6/66	Std.	Natural
60N.043067.050A	4.3	M 4	6,7	12,2	1,3	5,0	PA 6/66	Std.	Natural



Shoulder Washer i/d 3,0 - 6,5

Nylon

Order No.	d ₁	For thread inch	d ₂	d ₃	h	l	Material	Grade	Colour
60N.043067.060A	4,3	M 4	6,7	12,2	1,3	6,0	PA 6/66	Std.	Natural
60N.043067.070A	4,3	M 4	6,7	12,2	1,3	7,0	PA 6/66	Std.	Natural
60N.043067.080A	4,3	M 4	6,7	12,2	1,3	8,0	PA 6/66	Std.	Natural
60N.043067.090A	4,3	M 4	6,7	12,2	1,3	9,0	PA 6/66	Std.	Natural
60N.043067.100A	4,3	M 4	6,7	12,2	1,3	10,0	PA 6/66	Std.	Natural
60N.043067.110A	4,3	M 4	6,7	12,2	1,3	11,0	PA 6/66	Std.	Natural
60N.043067.120A	4,3	M 4	6,7	12,2	1,3	12,0	PA 6/66	Std.	Natural
60N.043067.130A	4,3	M 4	6,7	12,2	1,3	13,0	PA 6/66	Std.	Natural
60N.043067.140A	4,3	M 4	6,7	12,2	1,3	14,0	PA 6/66	Std.	Natural
60N.043067.150A	4,3	M 4	6,7	12,2	1,3	15,0	PA 6/66	Std.	Natural
60N.043067.160A	4,3	M 4	6,7	12,2	1,3	16,0	PA 6/66	Std.	Natural
60N.043067.170A	4,3	M 4	6,7	12,2	1,3	17,0	PA 6/66	Std.	Natural
60N.043067.180A	4,3	M 4	6,7	12,2	1,3	18,0	PA 6/66	Std.	Natural
60N.043067.190A	4,3	M 4	6,7	12,2	1,3	19,0	PA 6/66	Std.	Natural
60N.043067.200A	4,3	M 4	6,7	12,2	1,3	20,0	PA 6/66	Std.	Natural
60N.043067.210A	4,3	M 4	6,7	12,2	1,3	21,0	PA 6/66	Std.	Natural
60N.043067.220A	4,3	M 4	6,7	12,2	1,3	22,0	PA 6/66	Std.	Natural
60N.043067.230A	4,3	M 4	6,7	12,2	1,3	23,0	PA 6/66	Std.	Natural
60N.043067.240A	4,3	M 4	6,7	12,2	1,3	24,0	PA 6/66	Std.	Natural
60N.043067.250A	4,3	M 4	6,7	12,2	1,3	25,0	PA 6/66	Std.	Natural
60N.043067.260A	4,3	M 4	6,7	12,2	1,3	26,0	PA 6/66	Std.	Natural
60N.043067.270A	4,3	M 4	6,7	12,2	1,3	27,0	PA 6/66	Std.	Natural
60N.043067.280A	4,3	M 4	6,7	12,2	1,3	28,0	PA 6/66	Std.	Natural
60N.043067.290A	4,3	M 4	6,7	12,2	1,3	29,0	PA 6/66	Std.	Natural
60N.043067.300A	4,3	M 4	6,7	12,2	1,3	30,0	PA 6/66	Std.	Natural
60N.045065.065A	4,5	M 4	6,5	20,0	1,0	6,5	PA 6/66	Std.	Natural
60N.041051.095A	4,1	M3,5	5,1	10,0	2,4	9,5	PA 6/66	Std.	Natural
60N.050090.050A	5,0	M4,5	9,0	12,0	2,0	5,0	PA 6/66	Std.	Natural
60N.051085.047A	5,1	M4,5	8,5	10,5	1,5	4,7	PA 6/66	Std.	Natural
60N.052090.050A	5,2	M4,5	9,0	16,0	2,0	5,0	PA 6/66	Std.	Natural
60N.051080.050A1	5,1	M4,5	8,0	14,0	1,5	5,0	PA 6/66	Std.	Natural
60N.051080.060A1	5,1	M4,5	8,0	14,0	1,5	6,0	PA 6/66	Std.	Natural
60N.051080.070A1	5,1	M4,5	8,0	14,0	1,5	7,0	PA 6/66	Std.	Natural
60N.051080.080A1	5,1	M4,5	8,0	14,0	1,5	8,0	PA 6/66	Std.	Natural
60N.051080.090A1	5,1	M4,5	8,0	14,0	1,5	9,0	PA 6/66	Std.	Natural
60N.051080.100A1	5,1	M4,5	8,0	14,0	1,5	10,0	PA 6/66	Std.	Natural
60N.051080.110A1	5,1	M4,5	8,0	14,0	1,5	11,0	PA 6/66	Std.	Natural
60N.051080.120A1	5,1	M4,5	8,0	14,0	1,5	12,0	PA 6/66	Std.	Natural
60N.051080.130A1	5,1	M4,5	8,0	14,0	1,5	13,0	PA 6/66	Std.	Natural
60N.051080.140A1	5,1	M4,5	8,0	14,0	1,5	14,0	PA 6/66	Std.	Natural
60N.051080.150A1	5,1	M4,5	8,0	14,0	1,5	15,0	PA 6/66	Std.	Natural
60N.051080.160A1	5,1	M4,5	8,0	14,0	1,5	16,0	PA 6/66	Std.	Natural
60N.051080.170A1	5,1	M4,5	8,0	14,0	1,5	17,0	PA 6/66	Std.	Natural
60N.051080.180A1	5,1	M4,5	8,0	14,0	1,5	18,0	PA 6/66	Std.	Natural
60N.051080.190A1	5,1	M4,5	8,0	14,0	1,5	19,0	PA 6/66	Std.	Natural
60N.051080.200A1	5,1	M4,5	8,0	14,0	1,5	20,0	PA 6/66	Std.	Natural
60N.051080.210A1	5,1	M4,5	8,0	14,0	1,5	21,0	PA 6/66	Std.	Natural
60N.051080.220A1	5,1	M4,5	8,0	14,0	1,5	22,0	PA 6/66	Std.	Natural
60N.051080.230A1	5,1	M4,5	8,0	14,0	1,5	23,0	PA 6/66	Std.	Natural
60N.051080.240A1	5,1	M4,5	8,0	14,0	1,5	24,0	PA 6/66	Std.	Natural
60N.051080.250A1	5,1	M4,5	8,0	14,0	1,5	25,0	PA 6/66	Std.	Natural
60N.051080.260A1	5,1	M4,5	8,0	14,0	1,5	26,0	PA 6/66	Std.	Natural
60N.051080.270A1	5,1	M4,5	8,0	14,0	1,5	27,0	PA 6/66	Std.	Natural
60N.051080.280A1	5,1	M4,5	8,0	14,0	1,5	28,0	PA 6/66	Std.	Natural
60N.051080.290A1	5,1	M4,5	8,0	14,0	1,5	29,0	PA 6/66	Std.	Natural
60N.051080.300A1	5,1	M4,5	8,0	14,0	1,5	30,0	PA 6/66	Std.	Natural
60N.051080.310A1	5,1	M4,5	8,0	14,0	1,5	31,0	PA 6/66	Std.	Natural
60N.051080.320A1	5,1	M4,5	8,0	14,0	1,5	32,0	PA 6/66	Std.	Natural
60N.051080.330A1	5,1	M4,5	8,0	14,0	1,5	33,0	PA 6/66	Std.	Natural
60N.051080.340A1	5,1	M4,5	8,0	14,0	1,5	34,0	PA 6/66	Std.	Natural
60N.051080.350A1	5,1	M4,5	8,0	14,0	1,5	35,0	PA 6/66	Std.	Natural
60N.051080.360A1	5,1	M4,5	8,0	14,0	1,5	36,0	PA 6/66	Std.	Natural
60N.051080.370A1	5,1	M4,5	8,0	14,0	1,5	37,0	PA 6/66	Std.	Natural
60N.051080.380A1	5,1	M4,5	8,0	14,0	1,5	38,0	PA 6/66	Std.	Natural
60N.051080.390A1	5,1	M4,5	8,0	14,0	1,5	39,0	PA 6/66	Std.	Natural
60N.051080.400A1	5,1	M4,5	8,0	14,0	1,5	40,0	PA 6/66	Std.	Natural
60N.051080.410A1	5,1	M4,5	8,0	14,0	1,5	41,0	PA 6/66	Std.	Natural
60N.051080.420A1	5,1	M4,5	8,0	14,0	1,5	42,0	PA 6/66	Std.	Natural

NO17M



Shoulder Washer i/d 3,0 - 6,5

Nylon

Order No.	d ₁	For thread inch	d ₂	d ₃	h	l	Material	Grade	Colour
60N.060090.190A1	6.0	M 5	9.0	16.0	1.5	19.0	PA 6/66	Std.	Natural
60N.060090.200A1	6.0	M 5	9.0	16.0	1.5	20.0	PA 6/66	Std.	Natural
60N.060090.210A1	6.0	M 5	9.0	16.0	1.5	21.0	PA 6/66	Std.	Natural
60N.060090.220A1	6.0	M 5	9.0	16.0	1.5	22.0	PA 6/66	Std.	Natural
60N.060090.230A1	6.0	M 5	9.0	16.0	1.5	23.0	PA 6/66	Std.	Natural
60N.060090.240A1	6.0	M 5	9.0	16.0	1.5	24.0	PA 6/66	Std.	Natural
60N.060090.250A1	6.0	M 5	9.0	16.0	1.5	25.0	PA 6/66	Std.	Natural
60N.060090.260A1	6.0	M 5	9.0	16.0	1.5	26.0	PA 6/66	Std.	Natural
60N.060090.270A1	6.0	M 5	9.0	16.0	1.5	27.0	PA 6/66	Std.	Natural
60N.060090.280A1	6.0	M 5	9.0	16.0	1.5	28.0	PA 6/66	Std.	Natural
60N.060090.290A1	6.0	M 5	9.0	16.0	1.5	29.0	PA 6/66	Std.	Natural
60N.060090.300A1	6.0	M 5	9.0	16.0	1.5	30.0	PA 6/66	Std.	Natural
60N.060090.310A1	6.0	M 5	9.0	16.0	1.5	31.0	PA 6/66	Std.	Natural
60N.060090.320A1	6.0	M 5	9.0	16.0	1.5	32.0	PA 6/66	Std.	Natural
60N.060090.330A1	6.0	M 5	9.0	16.0	1.5	33.0	PA 6/66	Std.	Natural
60N.060090.340A1	6.0	M 5	9.0	16.0	1.5	34.0	PA 6/66	Std.	Natural
60N.060090.350A1	6.0	M 5	9.0	16.0	1.5	35.0	PA 6/66	Std.	Natural
60N.060090.360A1	6.0	M 5	9.0	16.0	1.5	36.0	PA 6/66	Std.	Natural
60N.060090.370A1	6.0	M 5	9.0	16.0	1.5	37.0	PA 6/66	Std.	Natural
60N.060090.380A1	6.0	M 5	9.0	16.0	1.5	38.0	PA 6/66	Std.	Natural
60N.060090.390A1	6.0	M 5	9.0	16.0	1.5	39.0	PA 6/66	Std.	Natural
60N.060090.400A1	6.0	M 5	9.0	16.0	1.5	40.0	PA 6/66	Std.	Natural
60N.060090.410A1	6.0	M 5	9.0	16.0	1.5	41.0	PA 6/66	Std.	Natural
60N.060090.420A1	6.0	M 5	9.0	16.0	1.5	42.0	PA 6/66	Std.	Natural
60N.060090.430A1	6.0	M 5	9.0	16.0	1.5	43.0	PA 6/66	Std.	Natural
60N.060090.440A1	6.0	M 5	9.0	16.0	1.5	44.0	PA 6/66	Std.	Natural
60N.060090.450A1	6.0	M 5	9.0	16.0	1.5	45.0	PA 6/66	Std.	Natural
60N.060090.460A1	6.0	M 5	9.0	16.0	1.5	46.0	PA 6/66	Std.	Natural
60N.060090.470A1	6.0	M 5	9.0	16.0	1.5	47.0	PA 6/66	Std.	Natural
60N.060090.480A1	6.0	M 5	9.0	16.0	1.5	48.0	PA 6/66	Std.	Natural
60N.060090.490A1	6.0	M 5	9.0	16.0	1.5	49.0	PA 6/66	Std.	Natural
60N.060090.500A1	6.0	M 5	9.0	16.0	1.5	50.0	PA 6/66	Std.	Natural
60N.061090.062A	6.1	M 5	9.0	19.7	3.7	6.2	PA 6/66	Std.	Natural
60N.060090.050A2	6.0	M 5	9.0	16.0	3.0	5.0	PA 6/66	Std.	Natural
60N.060090.060A2	6.0	M 5	9.0	16.0	3.0	6.0	PA 6/66	Std.	Natural
60N.060090.070A2	6.0	M 5	9.0	16.0	3.0	7.0	PA 6/66	Std.	Natural
60N.060090.080A2	6.0	M 5	9.0	16.0	3.0	8.0	PA 6/66	Std.	Natural
60N.060090.090A2	6.0	M 5	9.0	16.0	3.0	9.0	PA 6/66	Std.	Natural
60N.060090.100A2	6.0	M 5	9.0	16.0	3.0	10.0	PA 6/66	Std.	Natural
60N.060090.110A2	6.0	M 5	9.0	16.0	3.0	11.0	PA 6/66	Std.	Natural
60N.060090.120A2	6.0	M 5	9.0	16.0	3.0	12.0	PA 6/66	Std.	Natural
60N.060090.130A2	6.0	M 5	9.0	16.0	3.0	13.0	PA 6/66	Std.	Natural
60N.060090.140A2	6.0	M 5	9.0	16.0	3.0	14.0	PA 6/66	Std.	Natural
60N.060090.150A2	6.0	M 5	9.0	16.0	3.0	15.0	PA 6/66	Std.	Natural
60N.060090.160A2	6.0	M 5	9.0	16.0	3.0	16.0	PA 6/66	Std.	Natural
60N.060090.170A2	6.0	M 5	9.0	16.0	3.0	17.0	PA 6/66	Std.	Natural
60N.060090.180A2	6.0	M 5	9.0	16.0	3.0	18.0	PA 6/66	Std.	Natural
60N.060090.190A2	6.0	M 5	9.0	16.0	3.0	19.0	PA 6/66	Std.	Natural
60N.060090.200A2	6.0	M 5	9.0	16.0	3.0	20.0	PA 6/66	Std.	Natural
60N.060090.210A2	6.0	M 5	9.0	16.0	3.0	21.0	PA 6/66	Std.	Natural
60N.060090.220A2	6.0	M 5	9.0	16.0	3.0	22.0	PA 6/66	Std.	Natural
60N.060090.230A2	6.0	M 5	9.0	16.0	3.0	23.0	PA 6/66	Std.	Natural
60N.060090.240A2	6.0	M 5	9.0	16.0	3.0	24.0	PA 6/66	Std.	Natural
60N.060090.250A2	6.0	M 5	9.0	16.0	3.0	25.0	PA 6/66	Std.	Natural
60N.060090.260A2	6.0	M 5	9.0	16.0	3.0	26.0	PA 6/66	Std.	Natural
60N.060090.270A2	6.0	M 5	9.0	16.0	3.0	27.0	PA 6/66	Std.	Natural
60N.060090.280A2	6.0	M 5	9.0	16.0	3.0	28.0	PA 6/66	Std.	Natural
60N.060090.290A2	6.0	M 5	9.0	16.0	3.0	29.0	PA 6/66	Std.	Natural
60N.060090.300A2	6.0	M 5	9.0	16.0	3.0	30.0	PA 6/66	Std.	Natural
60N.060090.310A2	6.0	M 5	9.0	16.0	3.0	31.0	PA 6/66	Std.	Natural
60N.060090.320A2	6.0	M 5	9.0	16.0	3.0	32.0	PA 6/66	Std.	Natural
60N.060090.330A2	6.0	M 5	9.0	16.0	3.0	33.0	PA 6/66	Std.	Natural
60N.060090.340A2	6.0	M 5	9.0	16.0	3.0	34.0	PA 6/66	Std.	Natural
60N.060090.350A2	6.0	M 5	9.0	16.0	3.0	35.0	PA 6/66	Std.	Natural
60N.060090.360A2	6.0	M 5	9.0	16.0	3.0	36.0	PA 6/66	Std.	Natural
60N.060090.370A2	6.0	M 5	9.0	16.0	3.0	37.0	PA 6/66	Std.	Natural
60N.060090.380A2	6.0	M 5	9.0	16.0	3.0	38.0	PA 6/66	Std.	Natural
60N.060090.390A2	6.0	M 5	9.0	16.0	3.0	39.0	PA 6/66	Std.	Natural

NYLON

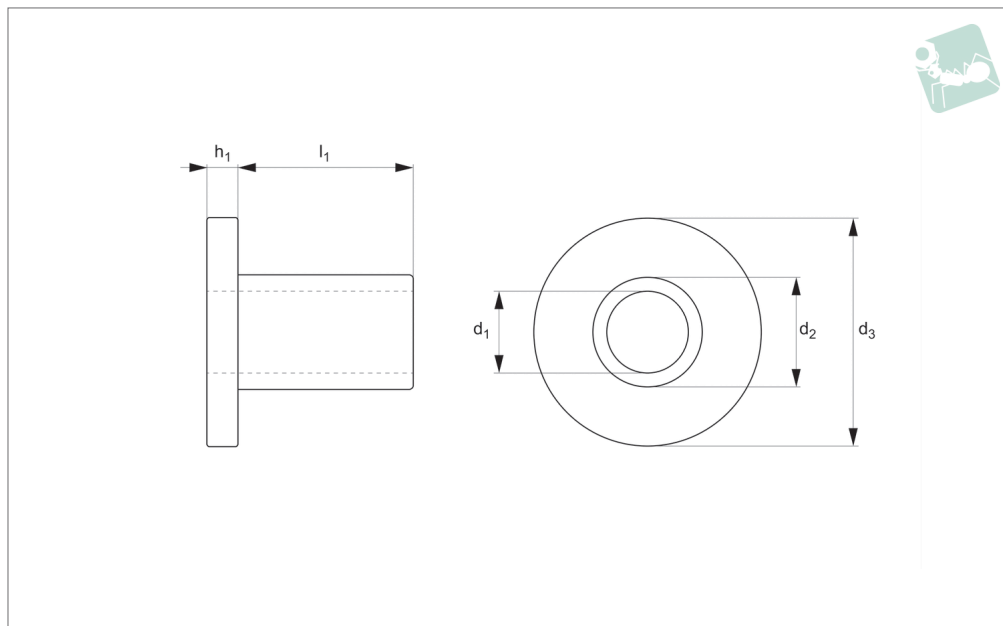


Order No.	d ₁	For thread inch	d ₂	d ₃	h	l	Material	Grade	Colour
60N.060090.400A2	6.0	M 5	9.0	16.0	3.0	40.0	PA 6/66	Std.	Natural
60N.060090.410A2	6.0	M 5	9.0	16.0	3.0	41.0	PA 6/66	Std.	Natural
60N.060090.420A2	6.0	M 5	9.0	16.0	3.0	42.0	PA 6/66	Std.	Natural
60N.060090.430A2	6.0	M 5	9.0	16.0	3.0	43.0	PA 6/66	Std.	Natural
60N.060090.440A2	6.0	M 5	9.0	16.0	3.0	44.0	PA 6/66	Std.	Natural
60N.060090.450A2	6.0	M 5	9.0	16.0	3.0	45.0	PA 6/66	Std.	Natural
60N.060090.460A2	6.0	M 5	9.0	16.0	3.0	46.0	PA 6/66	Std.	Natural
60N.060090.470A2	6.0	M 5	9.0	16.0	3.0	47.0	PA 6/66	Std.	Natural
60N.060090.480A2	6.0	M 5	9.0	16.0	3.0	48.0	PA 6/66	Std.	Natural
60N.060090.490A2	6.0	M 5	9.0	16.0	3.0	49.0	PA 6/66	Std.	Natural
60N.060090.500A2	6.0	M 5	9.0	16.0	3.0	50.0	PA 6/66	Std.	Natural
60N.061079.104A	6.1	M 5	7.9	13.8	3.5	10.4	PA 6/66	Std.	Natural
60N.065090.076A	6.5	M 6	9.0	14.0	1.5	7.6	PA 6/66	Std.	Natural
60N.060088.100A	6.0	M 5	8.8	15.7	3.0	10.0	PA 6/66	Std.	Natural
60N.065096.044A	6.5	M 6	9.6	15.8	1.6	4.4	PA 6/66	Std.	Natural



Shoulder Washer i/d 8,0 - 10,0

Nylon



N6060.60N.2

NYLON

Material

Nylon 66 (PA 6/66), standard. Natural or black.

Technical Notes

*"For thread" recommendation based on

„fine/close fit“ tolerance for metric fastener and clearance hole. For normal and loose fit tolerances please make your own calculations. Nylon parts offer good electrical insulation, are resistant to corro-

sion and most dilute acids. Nylon protects work surfaces and absorbs shocks and vibrations. Other sizes available.

Order No.	d ₁	For thread inch	d ₂	d ₃	h	l	Material	Grade	Colour
60N.081098.118A	8.1	M 6	9.8	15.9	4.0	11.8	PA 6/66	Std.	Natural
60N.080140.118A	8.0	M 6	14.0	20.0	2.6	11.8	PA 6/66	Std.	Natural
60N.081110.050A1	8.1	M 6	11.0	20.0	2.0	5.0	PA 6/66	Std.	Natural
60N.081110.060A1	8.1	M 6	11.0	20.0	2.0	6.0	PA 6/66	Std.	Natural
60N.081110.070A1	8.1	M 6	11.0	20.0	2.0	7.0	PA 6/66	Std.	Natural
60N.081110.080A1	8.1	M 6	11.0	20.0	2.0	8.0	PA 6/66	Std.	Natural
60N.081110.090A1	8.1	M 6	11.0	20.0	2.0	9.0	PA 6/66	Std.	Natural
60N.081110.100A1	8.1	M 6	11.0	20.0	2.0	10.0	PA 6/66	Std.	Natural
60N.081110.110A1	8.1	M 6	11.0	20.0	2.0	11.0	PA 6/66	Std.	Natural
60N.081110.120A1	8.1	M 6	11.0	20.0	2.0	12.0	PA 6/66	Std.	Natural
60N.081110.130A1	8.1	M 6	11.0	20.0	2.0	13.0	PA 6/66	Std.	Natural
60N.081110.140A1	8.1	M 6	11.0	20.0	2.0	14.0	PA 6/66	Std.	Natural
60N.081110.150A1	8.1	M 6	11.0	20.0	2.0	15.0	PA 6/66	Std.	Natural
60N.081110.160A1	8.1	M 6	11.0	20.0	2.0	16.0	PA 6/66	Std.	Natural
60N.081110.170A1	8.1	M 6	11.0	20.0	2.0	17.0	PA 6/66	Std.	Natural
60N.081110.180A1	8.1	M 6	11.0	20.0	2.0	18.0	PA 6/66	Std.	Natural
60N.081110.190A1	8.1	M 6	11.0	20.0	2.0	19.0	PA 6/66	Std.	Natural
60N.081110.200A1	8.1	M 6	11.0	20.0	2.0	20.0	PA 6/66	Std.	Natural
60N.081110.210A1	8.1	M 6	11.0	20.0	2.0	21.0	PA 6/66	Std.	Natural
60N.081110.220A1	8.1	M 6	11.0	20.0	2.0	22.0	PA 6/66	Std.	Natural
60N.081110.230A1	8.1	M 6	11.0	20.0	2.0	23.0	PA 6/66	Std.	Natural
60N.081110.240A1	8.1	M 6	11.0	20.0	2.0	24.0	PA 6/66	Std.	Natural
60N.081110.250A1	8.1	M 6	11.0	20.0	2.0	25.0	PA 6/66	Std.	Natural
60N.081110.260A1	8.1	M 6	11.0	20.0	2.0	26.0	PA 6/66	Std.	Natural
60N.081110.270A1	8.1	M 6	11.0	20.0	2.0	27.0	PA 6/66	Std.	Natural
60N.081110.280A1	8.1	M 6	11.0	20.0	2.0	28.0	PA 6/66	Std.	Natural
60N.081110.290A1	8.1	M 6	11.0	20.0	2.0	29.0	PA 6/66	Std.	Natural
60N.081110.300A1	8.1	M 6	11.0	20.0	2.0	30.0	PA 6/66	Std.	Natural
60N.081110.310A1	8.1	M 6	11.0	20.0	2.0	31.0	PA 6/66	Std.	Natural
60N.081110.320A1	8.1	M 6	11.0	20.0	2.0	32.0	PA 6/66	Std.	Natural
60N.081110.330A1	8.1	M 6	11.0	20.0	2.0	33.0	PA 6/66	Std.	Natural
60N.081110.340A1	8.1	M 6	11.0	20.0	2.0	34.0	PA 6/66	Std.	Natural



Order No.	d ₁	For thread inch	d ₂	d ₃	h	l	Material	Grade	Colour
60N.081110.350A1	8.1	M 6	11.0	20.0	2.0	35.0	PA 6/66	Std.	Natural
60N.081110.360A1	8.1	M 6	11.0	20.0	2.0	36.0	PA 6/66	Std.	Natural
60N.081110.370A1	8.1	M 6	11.0	20.0	2.0	37.0	PA 6/66	Std.	Natural
60N.081110.380A1	8.1	M 6	11.0	20.0	2.0	38.0	PA 6/66	Std.	Natural
60N.081110.390A1	8.1	M 6	11.0	20.0	2.0	39.0	PA 6/66	Std.	Natural
60N.081110.400A1	8.1	M 6	11.0	20.0	2.0	40.0	PA 6/66	Std.	Natural
60N.081110.410A1	8.1	M 6	11.0	20.0	2.0	41.0	PA 6/66	Std.	Natural
60N.081110.420A1	8.1	M 6	11.0	20.0	2.0	42.0	PA 6/66	Std.	Natural
60N.081110.430A1	8.1	M 6	11.0	20.0	2.0	43.0	PA 6/66	Std.	Natural
60N.081110.440A1	8.1	M 6	11.0	20.0	2.0	44.0	PA 6/66	Std.	Natural
60N.081110.450A1	8.1	M 6	11.0	20.0	2.0	45.0	PA 6/66	Std.	Natural
60N.081110.460A1	8.1	M 6	11.0	20.0	2.0	46.0	PA 6/66	Std.	Natural
60N.081110.470A1	8.1	M 6	11.0	20.0	2.0	47.0	PA 6/66	Std.	Natural
60N.081110.480A1	8.1	M 6	11.0	20.0	2.0	48.0	PA 6/66	Std.	Natural
60N.081110.490A1	8.1	M 6	11.0	20.0	2.0	49.0	PA 6/66	Std.	Natural
60N.081110.500A1	8.1	M 6	11.0	20.0	2.0	50.0	PA 6/66	Std.	Natural
60N.081110.050A2	8.1	M 6	11.0	20.0	3.0	5.0	PA 6/66	Std.	Natural
60N.081110.060A2	8.1	M 6	11.0	20.0	3.0	6.0	PA 6/66	Std.	Natural
60N.081110.070A2	8.1	M 6	11.0	20.0	3.0	7.0	PA 6/66	Std.	Natural
60N.081110.080A2	8.1	M 6	11.0	20.0	3.0	8.0	PA 6/66	Std.	Natural
60N.081110.090A2	8.1	M 6	11.0	20.0	3.0	9.0	PA 6/66	Std.	Natural
60N.081110.100A2	8.1	M 6	11.0	20.0	3.0	10.0	PA 6/66	Std.	Natural
60N.081110.110A2	8.1	M 6	11.0	20.0	3.0	11.0	PA 6/66	Std.	Natural
60N.081110.120A2	8.1	M 6	11.0	20.0	3.0	12.0	PA 6/66	Std.	Natural
60N.081110.130A2	8.1	M 6	11.0	20.0	3.0	13.0	PA 6/66	Std.	Natural
60N.081110.140A2	8.1	M 6	11.0	20.0	3.0	14.0	PA 6/66	Std.	Natural
60N.081110.150A2	8.1	M 6	11.0	20.0	3.0	15.0	PA 6/66	Std.	Natural
60N.081110.160A2	8.1	M 6	11.0	20.0	3.0	16.0	PA 6/66	Std.	Natural
60N.081110.170A2	8.1	M 6	11.0	20.0	3.0	17.0	PA 6/66	Std.	Natural
60N.081110.180A2	8.1	M 6	11.0	20.0	3.0	18.0	PA 6/66	Std.	Natural
60N.081110.190A2	8.1	M 6	11.0	20.0	3.0	19.0	PA 6/66	Std.	Natural
60N.081110.200A2	8.1	M 6	11.0	20.0	3.0	20.0	PA 6/66	Std.	Natural
60N.081110.210A2	8.1	M 6	11.0	20.0	3.0	21.0	PA 6/66	Std.	Natural
60N.081110.220A2	8.1	M 6	11.0	20.0	3.0	22.0	PA 6/66	Std.	Natural
60N.081110.230A2	8.1	M 6	11.0	20.0	3.0	23.0	PA 6/66	Std.	Natural
60N.081110.240A2	8.1	M 6	11.0	20.0	3.0	24.0	PA 6/66	Std.	Natural
60N.081110.250A2	8.1	M 6	11.0	20.0	3.0	25.0	PA 6/66	Std.	Natural
60N.081110.260A2	8.1	M 6	11.0	20.0	3.0	26.0	PA 6/66	Std.	Natural
60N.081110.270A2	8.1	M 6	11.0	20.0	3.0	27.0	PA 6/66	Std.	Natural
60N.081110.280A2	8.1	M 6	11.0	20.0	3.0	28.0	PA 6/66	Std.	Natural
60N.081110.290A2	8.1	M 6	11.0	20.0	3.0	29.0	PA 6/66	Std.	Natural
60N.081110.300A2	8.1	M 6	11.0	20.0	3.0	30.0	PA 6/66	Std.	Natural
60N.081110.310A2	8.1	M 6	11.0	20.0	3.0	31.0	PA 6/66	Std.	Natural
60N.081110.320A2	8.1	M 6	11.0	20.0	3.0	32.0	PA 6/66	Std.	Natural
60N.081110.330A2	8.1	M 6	11.0	20.0	3.0	33.0	PA 6/66	Std.	Natural
60N.081110.340A2	8.1	M 6	11.0	20.0	3.0	34.0	PA 6/66	Std.	Natural
60N.081110.350A2	8.1	M 6	11.0	20.0	3.0	35.0	PA 6/66	Std.	Natural
60N.081110.360A2	8.1	M 6	11.0	20.0	3.0	36.0	PA 6/66	Std.	Natural
60N.081110.370A2	8.1	M 6	11.0	20.0	3.0	37.0	PA 6/66	Std.	Natural
60N.081110.380A2	8.1	M 6	11.0	20.0	3.0	38.0	PA 6/66	Std.	Natural
60N.081110.390A2	8.1	M 6	11.0	20.0	3.0	39.0	PA 6/66	Std.	Natural
60N.081110.400A2	8.1	M 6	11.0	20.0	3.0	40.0	PA 6/66	Std.	Natural
60N.081110.410A2	8.1	M 6	11.0	20.0	3.0	41.0	PA 6/66	Std.	Natural
60N.081110.420A2	8.1	M 6	11.0	20.0	3.0	42.0	PA 6/66	Std.	Natural
60N.081110.430A2	8.1	M 6	11.0	20.0	3.0	43.0	PA 6/66	Std.	Natural
60N.081110.440A2	8.1	M 6	11.0	20.0	3.0	44.0	PA 6/66	Std.	Natural
60N.081110.450A2	8.1	M 6	11.0	20.0	3.0	45.0	PA 6/66	Std.	Natural
60N.081110.460A2	8.1	M 6	11.0	20.0	3.0	46.0	PA 6/66	Std.	Natural
60N.081110.470A2	8.1	M 6	11.0	20.0	3.0	47.0	PA 6/66	Std.	Natural
60N.081110.480A2	8.1	M 6	11.0	20.0	3.0	48.0	PA 6/66	Std.	Natural
60N.081110.490A2	8.1	M 6	11.0	20.0	3.0	49.0	PA 6/66	Std.	Natural
60N.081110.500A2	8.1	M 6	11.0	20.0	3.0	50.0	PA 6/66	Std.	Natural
60N.085125.040A	8.5	M 6	12.5	23.0	1.0	4.0	PA 6/66	Std.	Natural
60N.085125.070A	8.5	M 6	12.5	25.0	3.0	7.0	PA 6/66	Std.	Natural
60N.080100.050A	8.0	M 6	10.0	20.0	1.0	5.0	PA 6/66	Std.	Natural
60N.080100.060A	8.0	M 6	10.0	20.0	1.0	6.0	PA 6/66	Std.	Natural
60N.080100.070A	8.0	M 6	10.0	20.0	1.0	7.0	PA 6/66	Std.	Natural
60N.080100.080A	8.0	M 6	10.0	20.0	1.0	8.0	PA 6/66	Std.	Natural



Shoulder Washer i/d 8,0 - 10,0

Nylon

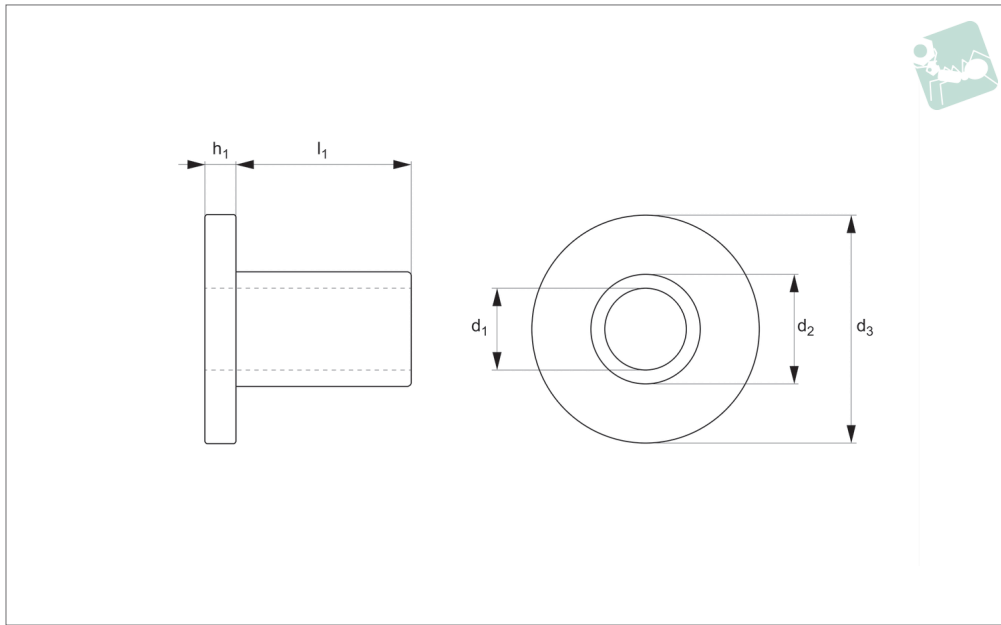
Order No.	d ₁	For thread inch	d ₂	d ₃	h	l	Material	Grade	Colour
60N.080100.090A	8.0	M 6	10.0	20.0	1.0	9.0	PA 6/66	Std.	Natural
60N.080100.100A	8.0	M 6	10.0	20.0	1.0	10.0	PA 6/66	Std.	Natural
60N.080100.110A	8.0	M 6	10.0	20.0	1.0	11.0	PA 6/66	Std.	Natural
60N.080100.120A	8.0	M 6	10.0	20.0	1.0	12.0	PA 6/66	Std.	Natural
60N.080100.130A	8.0	M 6	10.0	20.0	1.0	13.0	PA 6/66	Std.	Natural
60N.080100.140A	8.0	M 6	10.0	20.0	1.0	14.0	PA 6/66	Std.	Natural
60N.080100.150A	8.0	M 6	10.0	20.0	1.0	15.0	PA 6/66	Std.	Natural
60N.080100.160A	8.0	M 6	10.0	20.0	1.0	16.0	PA 6/66	Std.	Natural
60N.080100.170A	8.0	M 6	10.0	20.0	1.0	17.0	PA 6/66	Std.	Natural
60N.080100.180A	8.0	M 6	10.0	20.0	1.0	18.0	PA 6/66	Std.	Natural
60N.080100.190A	8.0	M 6	10.0	20.0	1.0	19.0	PA 6/66	Std.	Natural
60N.080100.200A	8.0	M 6	10.0	20.0	1.0	20.0	PA 6/66	Std.	Natural
60N.080100.210A	8.0	M 6	10.0	20.0	1.0	21.0	PA 6/66	Std.	Natural
60N.080100.220A	8.0	M 6	10.0	20.0	1.0	22.0	PA 6/66	Std.	Natural
60N.080100.230A	8.0	M 6	10.0	20.0	1.0	23.0	PA 6/66	Std.	Natural
60N.080100.240A	8.0	M 6	10.0	20.0	1.0	24.0	PA 6/66	Std.	Natural
60N.080100.250A	8.0	M 6	10.0	20.0	1.0	25.0	PA 6/66	Std.	Natural
60N.080100.260A	8.0	M 6	10.0	20.0	1.0	26.0	PA 6/66	Std.	Natural
60N.080100.270A	8.0	M 6	10.0	20.0	1.0	27.0	PA 6/66	Std.	Natural
60N.080100.280A	8.0	M 6	10.0	20.0	1.0	28.0	PA 6/66	Std.	Natural
60N.080100.290A	8.0	M 6	10.0	20.0	1.0	29.0	PA 6/66	Std.	Natural
60N.080100.300A	8.0	M 6	10.0	20.0	1.0	30.0	PA 6/66	Std.	Natural
60N.080100.310A	8.0	M 6	10.0	20.0	1.0	31.0	PA 6/66	Std.	Natural
60N.080100.320A	8.0	M 6	10.0	20.0	1.0	32.0	PA 6/66	Std.	Natural
60N.080100.330A	8.0	M 6	10.0	20.0	1.0	33.0	PA 6/66	Std.	Natural
60N.080100.340A	8.0	M 6	10.0	20.0	1.0	34.0	PA 6/66	Std.	Natural
60N.080100.350A	8.0	M 6	10.0	20.0	1.0	35.0	PA 6/66	Std.	Natural
60N.080100.360A	8.0	M 6	10.0	20.0	1.0	36.0	PA 6/66	Std.	Natural
60N.080100.370A	8.0	M 6	10.0	20.0	1.0	37.0	PA 6/66	Std.	Natural
60N.080100.380A	8.0	M 6	10.0	20.0	1.0	38.0	PA 6/66	Std.	Natural
60N.080100.390A	8.0	M 6	10.0	20.0	1.0	39.0	PA 6/66	Std.	Natural
60N.080100.400A	8.0	M 6	10.0	20.0	1.0	40.0	PA 6/66	Std.	Natural
60N.080100.410A	8.0	M 6	10.0	20.0	1.0	41.0	PA 6/66	Std.	Natural
60N.080100.420A	8.0	M 6	10.0	20.0	1.0	42.0	PA 6/66	Std.	Natural
60N.080100.430A	8.0	M 6	10.0	20.0	1.0	43.0	PA 6/66	Std.	Natural
60N.080100.440A	8.0	M 6	10.0	20.0	1.0	44.0	PA 6/66	Std.	Natural
60N.080100.450A	8.0	M 6	10.0	20.0	1.0	45.0	PA 6/66	Std.	Natural
60N.080100.460A	8.0	M 6	10.0	20.0	1.0	46.0	PA 6/66	Std.	Natural
60N.080100.470A	8.0	M 6	10.0	20.0	1.0	47.0	PA 6/66	Std.	Natural
60N.080100.480A	8.0	M 6	10.0	20.0	1.0	48.0	PA 6/66	Std.	Natural
60N.080100.490A	8.0	M 6	10.0	20.0	1.0	49.0	PA 6/66	Std.	Natural
60N.080100.500A	8.0	M 6	10.0	20.0	1.0	50.0	PA 6/66	Std.	Natural
60N.084110.041A	8.4	M 6	11.0	20.0	2.0	4.1	PA 6/66	Std.	Natural
60N.082110.070A	8.2	M 6	11.0	20.0	2.0	7.0	PA 6/66	Std.	Natural
60N.100130.050A1	10.0	M 8	13.0	23.7	2.0	5.0	PA 6/66	Std.	Natural
60N.100130.060A1	10.0	M 8	13.0	23.7	2.0	6.0	PA 6/66	Std.	Natural
60N.100130.070A1	10.0	M 8	13.0	23.7	2.0	7.0	PA 6/66	Std.	Natural
60N.100130.080A1	10.0	M 8	13.0	23.7	2.0	8.0	PA 6/66	Std.	Natural
60N.100130.090A1	10.0	M 8	13.0	23.7	2.0	9.0	PA 6/66	Std.	Natural
60N.100130.100A1	10.0	M 8	13.0	23.7	2.0	10.0	PA 6/66	Std.	Natural
60N.100130.110A1	10.0	M 8	13.0	23.7	2.0	11.0	PA 6/66	Std.	Natural
60N.100130.120A1	10.0	M 8	13.0	23.7	2.0	12.0	PA 6/66	Std.	Natural
60N.100130.130A1	10.0	M 8	13.0	23.7	2.0	13.0	PA 6/66	Std.	Natural
60N.100130.140A1	10.0	M 8	13.0	23.7	2.0	14.0	PA 6/66	Std.	Natural
60N.100130.150A1	10.0	M 8	13.0	23.7	2.0	15.0	PA 6/66	Std.	Natural
60N.100130.160A1	10.0	M 8	13.0	23.7	2.0	16.0	PA 6/66	Std.	Natural
60N.100130.170A1	10.0	M 8	13.0	23.7	2.0	17.0	PA 6/66	Std.	Natural
60N.100130.180A1	10.0	M 8	13.0	23.7	2.0	18.0	PA 6/66	Std.	Natural
60N.100130.190A1	10.0	M 8	13.0	23.7	2.0	19.0	PA 6/66	Std.	Natural
60N.100130.200A1	10.0	M 8	13.0	23.7	2.0	20.0	PA 6/66	Std.	Natural
60N.100130.210A1	10.0	M 8	13.0	23.7	2.0	21.0	PA 6/66	Std.	Natural
60N.100130.220A1	10.0	M 8	13.0	23.7	2.0	22.0	PA 6/66	Std.	Natural
60N.100130.230A1	10.0	M 8	13.0	23.7	2.0	23.0	PA 6/66	Std.	Natural
60N.100130.240A1	10.0	M 8	13.0	23.7	2.0	24.0	PA 6/66	Std.	Natural
60N.100130.250A1	10.0	M 8	13.0	23.7	2.0	25.0	PA 6/66	Std.	Natural
60N.100130.260A1	10.0	M64	13.0	23.7	2.0	26.0	PA 6/66	Std.	Natural
60N.100130.270A1	10.0	M 8	13.0	23.7	2.0	27.0	PA 6/66	Std.	Natural
60N.100130.280A1	10.0	M 8	13.0	23.7	2.0	28.0	PA 6/66	Std.	Natural

NYLON



Shoulder Washer i/d 10,2 - 12,5

Nylon



N6060.60N.3

NYLON

Material

Nylon 66 (PA 6/66), standard.). Natural or black.

Technical Notes

*"For thread" recommendation based on

„fine/close fit“ tolerance for metric fastener and clearance hole. For normal and loose fit tolerances please make your own calculations. Nylon parts offer good electrical insulation, are resistant to corro-

sion and most dilute acids. Nylon protects work surfaces and absorbs shocks and vibrations. Other sizes available.

Order No.	d ₁	For thread inch	d ₂	d ₃	h	l	Material	Grade	Colour
60N.102149.119A	10.2	M 8	14.9	19.8	2.6	11.9	PA 6/66	Std.	Natural
60N.102162.050A	10.2	M 8	16.2	22.0	6.0	5.0	PA 6/66	Std.	Natural
60N.102162.060A	10.2	M 8	16.2	22.0	6.0	6.0	PA 6/66	Std.	Natural
60N.102162.070A	10.2	M 8	16.2	22.0	6.0	7.0	PA 6/66	Std.	Natural
60N.102162.080A	10.2	M 8	16.2	22.0	6.0	8.0	PA 6/66	Std.	Natural
60N.102162.090A	10.2	M 8	16.2	22.0	6.0	9.0	PA 6/66	Std.	Natural
60N.102162.100A	10.2	M 8	16.2	22.0	6.0	10.0	PA 6/66	Std.	Natural
60N.102162.110A	10.2	M 8	16.2	22.0	6.0	11.0	PA 6/66	Std.	Natural
60N.102162.120A	10.2	M 8	16.2	22.0	6.0	12.0	PA 6/66	Std.	Natural
60N.102162.130A	10.2	M 8	16.2	22.0	6.0	13.0	PA 6/66	Std.	Natural
60N.102162.140A	10.2	M 8	16.2	22.0	6.0	14.0	PA 6/66	Std.	Natural
60N.102162.150A	10.2	M 8	16.2	22.0	6.0	15.0	PA 6/66	Std.	Natural
60N.102162.160A	10.2	M 8	16.2	22.0	6.0	16.0	PA 6/66	Std.	Natural
60N.102162.170A	10.2	M 8	16.2	22.0	6.0	17.0	PA 6/66	Std.	Natural
60N.102162.180A	10.2	M 8	16.2	22.0	6.0	18.0	PA 6/66	Std.	Natural
60N.102162.190A	10.2	M 8	16.2	22.0	6.0	19.0	PA 6/66	Std.	Natural
60N.102162.200A	10.2	M 8	16.2	22.0	6.0	20.0	PA 6/66	Std.	Natural
60N.102162.210A	10.2	M 8	16.2	22.0	6.0	21.0	PA 6/66	Std.	Natural
60N.102162.220A	10.2	M 8	16.2	22.0	6.0	22.0	PA 6/66	Std.	Natural
60N.102162.230A	10.2	M 8	16.2	22.0	6.0	23.0	PA 6/66	Std.	Natural
60N.102162.240A	10.2	M 8	16.2	22.0	6.0	24.0	PA 6/66	Std.	Natural
60N.102162.250A	10.2	M 8	16.2	22.0	6.0	25.0	PA 6/66	Std.	Natural
60N.102162.260A	10.2	M 8	16.2	22.0	6.0	26.0	PA 6/66	Std.	Natural
60N.102162.270A	10.2	M 8	16.2	22.0	6.0	27.0	PA 6/66	Std.	Natural
60N.102162.280A	10.2	M 8	16.2	22.0	6.0	28.0	PA 6/66	Std.	Natural
60N.102162.290A	10.2	M 8	16.2	22.0	6.0	29.0	PA 6/66	Std.	Natural
60N.102162.300A	10.2	M 8	16.2	22.0	6.0	30.0	PA 6/66	Std.	Natural
60N.102162.310A	10.2	M 8	16.2	22.0	6.0	31.0	PA 6/66	Std.	Natural
60N.102162.320A	10.2	M 8	16.2	22.0	6.0	32.0	PA 6/66	Std.	Natural
60N.102162.330A	10.2	M 8	16.2	22.0	6.0	33.0	PA 6/66	Std.	Natural
60N.102162.340A	10.2	M 8	16.2	22.0	6.0	34.0	PA 6/66	Std.	Natural
60N.102162.350A	10.2	M 8	16.2	22.0	6.0	35.0	PA 6/66	Std.	Natural



Order No.	d ₁	For thread inch	d ₂	d ₃	h	l	Material	Grade	Colour
60N.102162.360A	10.2	M 8	16.2	22.0	6.0	36.0	PA 6/66	Std.	Natural
60N.102162.370A	10.2	M 8	16.2	22.0	6.0	37.0	PA 6/66	Std.	Natural
60N.102162.380A	10.2	M 8	16.2	22.0	6.0	38.0	PA 6/66	Std.	Natural
60N.102162.390A	10.2	M 8	16.2	22.0	6.0	39.0	PA 6/66	Std.	Natural
60N.102162.400A	10.2	M 8	16.2	22.0	6.0	40.0	PA 6/66	Std.	Natural
60N.102162.410A	10.2	M 8	16.2	22.0	6.0	41.0	PA 6/66	Std.	Natural
60N.102162.420A	10.2	M 8	16.2	22.0	6.0	42.0	PA 6/66	Std.	Natural
60N.102162.430A	10.2	M 8	16.2	22.0	6.0	43.0	PA 6/66	Std.	Natural
60N.102162.440A	10.2	M 8	16.2	22.0	6.0	44.0	PA 6/66	Std.	Natural
60N.102162.450A	10.2	M 8	16.2	22.0	6.0	45.0	PA 6/66	Std.	Natural
60N.102162.460A	10.2	M 8	16.2	22.0	6.0	46.0	PA 6/66	Std.	Natural
60N.102162.470A	10.2	M 8	16.2	22.0	6.0	47.0	PA 6/66	Std.	Natural
60N.102162.480A	10.2	M 8	16.2	22.0	6.0	48.0	PA 6/66	Std.	Natural
60N.102162.490A	10.2	M 8	16.2	22.0	6.0	49.0	PA 6/66	Std.	Natural
60N.102162.500A	10.2	M 8	16.2	22.0	6.0	50.0	PA 6/66	Std.	Natural
60N.102149.050A	10.2	M 8	14.9	19.8	2.6	5.0	PA 6/66	Std.	Natural
60N.102149.060A	10.2	M 8	14.9	19.8	2.6	6.0	PA 6/66	Std.	Natural
60N.102149.070A	10.2	M 8	14.9	19.8	2.6	7.0	PA 6/66	Std.	Natural
60N.102149.080A	10.2	M 8	14.9	19.8	2.6	8.0	PA 6/66	Std.	Natural
60N.102149.090A	10.2	M 8	14.9	19.8	2.6	9.0	PA 6/66	Std.	Natural
60N.102149.100A	10.2	M 8	14.9	19.8	2.6	10.0	PA 6/66	Std.	Natural
60N.102149.110A	10.2	M 8	14.9	19.8	2.6	11.0	PA 6/66	Std.	Natural
60N.102149.130A	10.2	M 8	14.9	19.8	2.6	13.0	PA 6/66	Std.	Natural
60N.102149.140A	10.2	M 8	14.9	19.8	2.6	14.0	PA 6/66	Std.	Natural
60N.102149.150A	10.2	M 8	14.9	19.8	2.6	15.0	PA 6/66	Std.	Natural
60N.102149.160A	10.2	M 8	14.9	19.8	2.6	16.0	PA 6/66	Std.	Natural
60N.102149.170A	10.2	M 8	14.9	19.8	2.6	17.0	PA 6/66	Std.	Natural
60N.102149.180A	10.2	M 8	14.9	19.8	2.6	18.0	PA 6/66	Std.	Natural
60N.102149.190A	10.2	M 8	14.9	19.8	2.6	19.0	PA 6/66	Std.	Natural
60N.102149.200A	10.2	M 8	14.9	19.8	2.6	20.0	PA 6/66	Std.	Natural
60N.102149.210A	10.2	M 8	14.9	19.8	2.6	21.0	PA 6/66	Std.	Natural
60N.102149.220A	10.2	M 8	14.9	19.8	2.6	22.0	PA 6/66	Std.	Natural
60N.102149.230A	10.2	M 8	14.9	19.8	2.6	23.0	PA 6/66	Std.	Natural
60N.102149.240A	10.2	M 8	14.9	19.8	2.6	24.0	PA 6/66	Std.	Natural
60N.102149.250A	10.2	M 8	14.9	19.8	2.6	25.0	PA 6/66	Std.	Natural
60N.102149.260A	10.2	M 8	14.9	19.8	2.6	26.0	PA 6/66	Std.	Natural
60N.102149.270A	10.2	M 8	14.9	19.8	2.6	27.0	PA 6/66	Std.	Natural
60N.102149.280A	10.2	M 8	14.9	19.8	2.6	28.0	PA 6/66	Std.	Natural
60N.102149.290A	10.2	M 8	14.9	19.8	2.6	29.0	PA 6/66	Std.	Natural
60N.102149.300A	10.2	M 8	14.9	19.8	2.6	30.0	PA 6/66	Std.	Natural
60N.105133.195A	10.5	M10	13.3	28.0	3.1	19.5	PA 6/66	Std.	Natural
60N.103143.050A	10.3	M 8	14.3	20.0	1.0	5.0	PA 6/66	Std.	Natural
60N.103143.060A	10.3	M 8	14.3	20.0	1.0	6.0	PA 6/66	Std.	Natural
60N.103143.070A	10.3	M 8	14.3	20.0	1.0	7.0	PA 6/66	Std.	Natural
60N.103143.080A	10.3	M 8	14.3	20.0	1.0	8.0	PA 6/66	Std.	Natural
60N.103143.090A	10.3	M 8	14.3	20.0	1.0	9.0	PA 6/66	Std.	Natural
60N.103143.100A	10.3	M 8	14.3	20.0	1.0	10.0	PA 6/66	Std.	Natural
60N.103143.110A	10.3	M 8	14.3	20.0	1.0	11.0	PA 6/66	Std.	Natural
60N.103143.120A	10.3	M 8	14.3	20.0	1.0	12.0	PA 6/66	Std.	Natural
60N.103143.130A	10.3	M 8	14.3	20.0	1.0	13.0	PA 6/66	Std.	Natural
60N.103143.140A	10.3	M 8	14.3	20.0	1.0	14.0	PA 6/66	Std.	Natural
60N.103143.150A	10.3	M 8	14.3	20.0	1.0	15.0	PA 6/66	Std.	Natural
60N.103143.160A	10.3	M 8	14.3	20.0	1.0	16.0	PA 6/66	Std.	Natural
60N.103143.170A	10.3	M 8	14.3	20.0	1.0	17.0	PA 6/66	Std.	Natural
60N.103143.180A	10.3	M 8	14.3	20.0	1.0	18.0	PA 6/66	Std.	Natural
60N.103143.190A	10.3	M 8	14.3	20.0	1.0	19.0	PA 6/66	Std.	Natural
60N.103143.200A	10.3	M 8	14.3	20.0	1.0	20.0	PA 6/66	Std.	Natural
60N.103143.210A	10.3	M 8	14.3	20.0	1.0	21.0	PA 6/66	Std.	Natural
60N.103143.220A	10.3	M 8	14.3	20.0	1.0	22.0	PA 6/66	Std.	Natural
60N.103143.230A	10.3	M 8	14.3	20.0	1.0	23.0	PA 6/66	Std.	Natural
60N.103143.240A	10.3	M 8	14.3	20.0	1.0	24.0	PA 6/66	Std.	Natural
60N.103143.250A	10.3	M 8	14.3	20.0	1.0	25.0	PA 6/66	Std.	Natural
60N.103143.260A	10.3	M 8	14.3	20.0	1.0	26.0	PA 6/66	Std.	Natural
60N.103143.270A	10.3	M 8	14.3	20.0	1.0	27.0	PA 6/66	Std.	Natural
60N.103143.280A	10.3	M 8	14.3	20.0	1.0	28.0	PA 6/66	Std.	Natural
60N.103143.290A	10.3	M 8	14.3	20.0	1.0	29.0	PA 6/66	Std.	Natural
60N.103143.300A	10.3	M 8	14.3	20.0	1.0	30.0	PA 6/66	Std.	Natural
60N.103143.310A	10.3	M 8	14.3	20.0	1.0	31.0	PA 6/66	Std.	Natural



Shoulder Washer i/d 10,2 - 12,5

Nylon

Order No.	d ₁	For thread inch	d ₂	d ₃	h	l	Material	Grade	Colour
60N.103143.320A	10.3	M 8	14.3	20.0	1.0	32.0	PA 6/66	Std.	Natural
60N.103143.330A	10.3	M 8	14.3	20.0	1.0	33.0	PA 6/66	Std.	Natural
60N.103143.340A	10.3	M 8	14.3	20.0	1.0	34.0	PA 6/66	Std.	Natural
60N.103143.350A	10.3	M 8	14.3	20.0	1.0	35.0	PA 6/66	Std.	Natural
60N.103143.360A	10.3	M 8	14.3	20.0	1.0	36.0	PA 6/66	Std.	Natural
60N.103143.370A	10.3	M 8	14.3	20.0	1.0	37.0	PA 6/66	Std.	Natural
60N.103143.380A	10.3	M 8	14.3	20.0	1.0	38.0	PA 6/66	Std.	Natural
60N.103143.390A	10.3	M 8	14.3	20.0	1.0	39.0	PA 6/66	Std.	Natural
60N.103143.400A	10.3	M 8	14.3	20.0	1.0	40.0	PA 6/66	Std.	Natural
60N.103143.410A	10.3	M 8	14.3	20.0	1.0	41.0	PA 6/66	Std.	Natural
60N.103143.420A	10.3	M 8	14.3	20.0	1.0	42.0	PA 6/66	Std.	Natural
60N.103143.430A	10.3	M 8	14.3	20.0	1.0	43.0	PA 6/66	Std.	Natural
60N.103143.440A	10.3	M 8	14.3	20.0	1.0	44.0	PA 6/66	Std.	Natural
60N.103143.450A	10.3	M 8	14.3	20.0	1.0	45.0	PA 6/66	Std.	Natural
60N.103143.460A	10.3	M 8	14.3	20.0	1.0	46.0	PA 6/66	Std.	Natural
60N.103143.470A	10.3	M 8	14.3	20.0	1.0	47.0	PA 6/66	Std.	Natural
60N.103143.480A	10.3	M 8	14.3	20.0	1.0	48.0	PA 6/66	Std.	Natural
60N.103143.490A	10.3	M 8	14.3	20.0	1.0	49.0	PA 6/66	Std.	Natural
60N.103143.500A	10.3	M 8	14.3	20.0	1.0	50.0	PA 6/66	Std.	Natural
60N.120140.200A	12.0	M10	14.0	23.7	2.0	20.0	PA 6/66	Std.	Natural
60N.122210.100A	12.2	M10	21.0	27.3	2.0	10.0	PA 6/66	Std.	Natural
60N.121148.050A1	12.1	M10	14.8	25.6	2.0	5.0	PA 6/66	Std.	Natural
60N.121148.060A1	12.1	M10	14.8	25.6	2.0	6.0	PA 6/66	Std.	Natural
60N.121148.070A1	12.1	M10	14.8	25.6	2.0	7.0	PA 6/66	Std.	Natural
60N.121148.080A1	12.1	M10	14.8	25.6	2.0	8.0	PA 6/66	Std.	Natural
60N.121148.090A1	12.1	M10	14.8	25.6	2.0	9.0	PA 6/66	Std.	Natural
60N.121148.100A1	12.1	M10	14.8	25.6	2.0	10.0	PA 6/66	Std.	Natural
60N.121148.110A1	12.1	M10	14.8	25.6	2.0	11.0	PA 6/66	Std.	Natural
60N.121148.120A1	12.1	M10	14.8	25.6	2.0	12.0	PA 6/66	Std.	Natural
60N.121148.130A1	12.1	M10	14.8	25.6	2.0	13.0	PA 6/66	Std.	Natural
60N.121148.140A1	12.1	M10	14.8	25.6	2.0	14.0	PA 6/66	Std.	Natural
60N.121148.150A1	12.1	M10	14.8	25.6	2.0	15.0	PA 6/66	Std.	Natural
60N.121148.160A1	12.1	M10	14.8	25.6	2.0	16.0	PA 6/66	Std.	Natural
60N.121148.170A1	12.1	M10	14.8	25.6	2.0	17.0	PA 6/66	Std.	Natural
60N.121148.180A1	12.1	M10	14.8	25.6	2.0	18.0	PA 6/66	Std.	Natural
60N.121148.190A1	12.1	M10	14.8	25.6	2.0	19.0	PA 6/66	Std.	Natural
60N.121148.200A1	12.1	M10	14.8	25.6	2.0	20.0	PA 6/66	Std.	Natural
60N.121148.210A1	12.1	M10	14.8	25.6	2.0	21.0	PA 6/66	Std.	Natural
60N.121148.220A1	12.1	M10	14.8	25.6	2.0	22.0	PA 6/66	Std.	Natural
60N.121148.230A1	12.1	M10	14.8	25.6	2.0	23.0	PA 6/66	Std.	Natural
60N.121148.240A1	12.1	M10	14.8	25.6	2.0	24.0	PA 6/66	Std.	Natural
60N.121148.250A1	12.1	M10	14.8	25.6	2.0	25.0	PA 6/66	Std.	Natural
60N.121148.260A1	12.1	M10	14.8	25.6	2.0	26.0	PA 6/66	Std.	Natural
60N.121148.270A1	12.1	M10	14.8	25.6	2.0	27.0	PA 6/66	Std.	Natural
60N.121148.280A1	12.1	M10	14.8	25.6	2.0	28.0	PA 6/66	Std.	Natural
60N.121148.290A1	12.1	M10	14.8	25.6	2.0	29.0	PA 6/66	Std.	Natural
60N.121148.300A1	12.1	M10	14.8	25.6	2.0	30.0	PA 6/66	Std.	Natural
60N.121148.310A1	12.1	M10	14.8	25.6	2.0	31.0	PA 6/66	Std.	Natural
60N.121148.320A1	12.1	M10	14.8	25.6	2.0	32.0	PA 6/66	Std.	Natural
60N.121148.330A1	12.1	M10	14.8	25.6	2.0	33.0	PA 6/66	Std.	Natural
60N.121148.340A1	12.1	M10	14.8	25.6	2.0	34.0	PA 6/66	Std.	Natural
60N.121148.350A1	12.1	M10	14.8	25.6	2.0	35.0	PA 6/66	Std.	Natural
60N.121148.360A1	12.1	M10	14.8	25.6	2.0	36.0	PA 6/66	Std.	Natural
60N.121148.370A1	12.1	M10	14.8	25.6	2.0	37.0	PA 6/66	Std.	Natural
60N.121148.380A1	12.1	M10	14.8	25.6	2.0	38.0	PA 6/66	Std.	Natural
60N.121148.390A1	12.1	M10	14.8	25.6	2.0	39.0	PA 6/66	Std.	Natural
60N.121148.400A1	12.1	M10	14.8	25.6	2.0	40.0	PA 6/66	Std.	Natural
60N.121148.410A1	12.1	M10	14.8	25.6	2.0	41.0	PA 6/66	Std.	Natural
60N.121148.420A1	12.1	M10	14.8	25.6	2.0	42.0	PA 6/66	Std.	Natural
60N.121148.430A1	12.1	M10	14.8	25.6	2.0	43.0	PA 6/66	Std.	Natural
60N.121148.440A1	12.1	M10	14.8	25.6	2.0	44.0	PA 6/66	Std.	Natural
60N.121148.450A1	12.1	M10	14.8	25.6	2.0	45.0	PA 6/66	Std.	Natural
60N.121148.460A1	12.1	M10	14.8	25.6	2.0	46.0	PA 6/66	Std.	Natural
60N.121148.470A1	12.1	M10	14.8	25.6	2.0	47.0	PA 6/66	Std.	Natural
60N.121148.480A1	12.1	M10	14.8	25.6	2.0	48.0	PA 6/66	Std.	Natural
60N.121148.490A1	12.1	M10	14.8	25.6	2.0	49.0	PA 6/66	Std.	Natural
60N.121148.500A1	12.1	M10	14.8	25.6	2.0	50.0	PA 6/66	Std.	Natural
60N.121148.050A2	12.1	M10	14.8	25.6	3.0	5.0	PA 6/66	Std.	Natural

NO17M

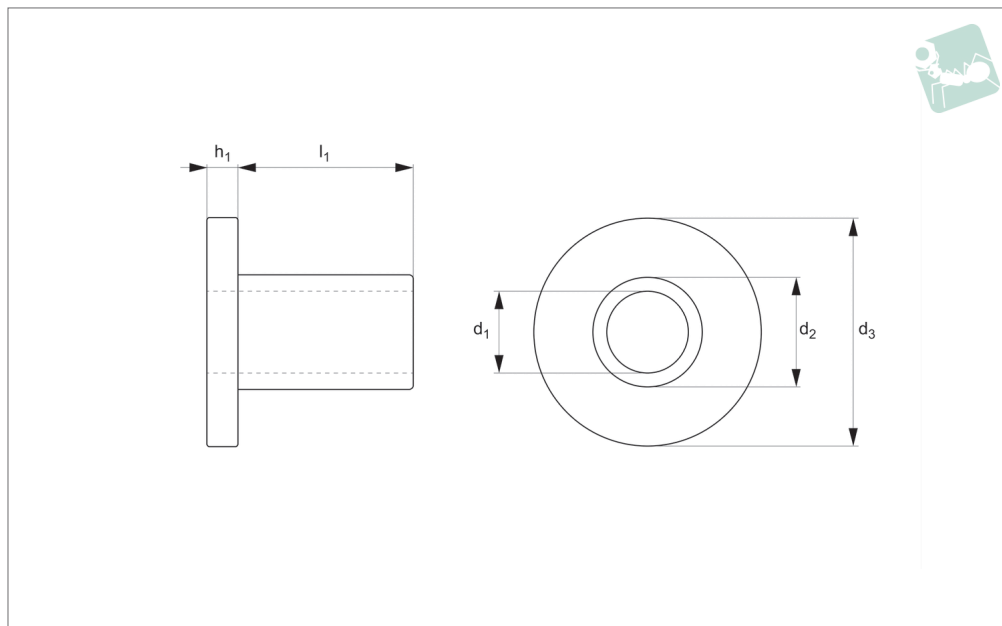


Order No.	d ₁	For thread inch	d ₂	d ₃	h	l	Material	Grade	Colour
60N.124169.500A2	12.4	M10	16.9	34.6	4.0	50.0	PA 6/66	Std.	Natural
60N.124218.067A	12.4	M10	21.8	60.5	3.3	6.7	PA 6/66	Std.	Natural
60N.125170.193A	12.5	M10	17.0	32.0	3.0	19.3	PA 6/66	Std.	Natural



Shoulder Washer i/d 14,0 - 20,0

Nylon



N6060.60N.4

NYLON

Material

Nylon 66 (PA 6/66), standard.). Natural or black.

Technical Notes

*"For thread" recommendation based on

„fine/close fit“ tolerance for metric fastener and clearance hole. For normal and loose fit tolerances please make your own calculations. Nylon parts offer good electrical insulation, are resistant to corro-

sion and most dilute acids. Nylon protects work surfaces and absorbs shocks and vibrations. Other sizes available.

Order No.	d_1	For thread inch	d_2	d_3	h	l	Material	Grade	Colour
60N.141200.200A	14.1	M12	20.0	26.0	2.5	17.8	PA 6/66	Std.	Natural
60N.141216.100A	14.1	M12	21.6	27.0	2.0	10.0	PA 6/66	Std.	Natural
60N.160190.050A1	16.0	M14	19.0	34.5	4.0	5.0	PA 6/66	Std.	Natural
60N.160190.060A1	16.0	M14	19.0	34.5	4.0	6.0	PA 6/66	Std.	Natural
60N.160190.070A1	16.0	M14	19.0	34.5	4.0	7.0	PA 6/66	Std.	Natural
60N.160190.080A1	16.0	M14	19.0	34.5	4.0	8.0	PA 6/66	Std.	Natural
60N.160190.090A1	16.0	M14	19.0	34.5	4.0	9.0	PA 6/66	Std.	Natural
60N.160190.100A1	16.0	M14	19.0	34.5	4.0	10.0	PA 6/66	Std.	Natural
60N.160190.110A1	16.0	M14	19.0	34.5	4.0	11.0	PA 6/66	Std.	Natural
60N.160190.120A1	16.0	M14	19.0	34.5	4.0	12.0	PA 6/66	Std.	Natural
60N.160190.130A1	16.0	M14	19.0	34.5	4.0	13.0	PA 6/66	Std.	Natural
60N.160190.140A1	16.0	M14	19.0	34.5	4.0	14.0	PA 6/66	Std.	Natural
60N.160190.150A1	16.0	M14	19.0	34.5	4.0	15.0	PA 6/66	Std.	Natural
60N.160190.160A1	16.0	M14	19.0	34.5	4.0	16.0	PA 6/66	Std.	Natural
60N.160190.170A1	16.0	M14	19.0	34.5	4.0	17.0	PA 6/66	Std.	Natural
60N.160190.180A1	16.0	M14	19.0	34.5	4.0	18.0	PA 6/66	Std.	Natural
60N.160190.190A1	16.0	M14	19.0	34.5	4.0	19.0	PA 6/66	Std.	Natural
60N.160190.200A1	16.0	M14	19.0	34.5	4.0	20.0	PA 6/66	Std.	Natural
60N.160190.210A1	16.0	M14	19.0	34.5	4.0	21.0	PA 6/66	Std.	Natural
60N.160190.220A1	16.0	M14	19.0	34.5	4.0	22.0	PA 6/66	Std.	Natural
60N.160190.230A1	16.0	M14	19.0	34.5	4.0	23.0	PA 6/66	Std.	Natural
60N.160190.240A1	16.0	M14	19.0	34.5	4.0	24.0	PA 6/66	Std.	Natural
60N.160190.250A1	16.0	M14	19.0	34.5	4.0	25.0	PA 6/66	Std.	Natural
60N.160190.260A1	16.0	M14	19.0	34.5	4.0	26.0	PA 6/66	Std.	Natural
60N.160190.270A1	16.0	M14	19.0	34.5	4.0	27.0	PA 6/66	Std.	Natural
60N.160190.280A1	16.0	M14	19.0	34.5	4.0	28.0	PA 6/66	Std.	Natural
60N.160190.290A1	16.0	M14	19.0	34.5	4.0	29.0	PA 6/66	Std.	Natural
60N.160190.300A1	16.0	M14	19.0	34.5	4.0	30.0	PA 6/66	Std.	Natural
60N.160190.310A1	16.0	M14	19.0	34.5	4.0	31.0	PA 6/66	Std.	Natural
60N.160190.320A1	16.0	M14	19.0	34.5	4.0	32.0	PA 6/66	Std.	Natural
60N.160190.330A1	16.0	M14	19.0	34.5	4.0	33.0	PA 6/66	Std.	Natural
60N.160190.340A1	16.0	M14	19.0	34.5	4.0	34.0	PA 6/66	Std.	Natural



Order No.	d ₁	For thread inch	d ₂	d ₃	h	l	Material	Grade	Colour
60N.160215.320A2	16.0	M14	21.5	27.1	4.0	32.0	PA 6/66	Std.	Natural
60N.160215.330A2	16.0	M14	21.5	27.1	4.0	33.0	PA 6/66	Std.	Natural
60N.160215.340A2	16.0	M14	21.5	27.1	4.0	34.0	PA 6/66	Std.	Natural
60N.160215.350A2	16.0	M14	21.5	27.1	4.0	35.0	PA 6/66	Std.	Natural
60N.160215.360A2	16.0	M14	21.5	27.1	4.0	36.0	PA 6/66	Std.	Natural
60N.160215.370A2	16.0	M14	21.5	27.1	4.0	37.0	PA 6/66	Std.	Natural
60N.160215.380A2	16.0	M14	21.5	27.1	4.0	38.0	PA 6/66	Std.	Natural
60N.160215.390A2	16.0	M14	21.5	27.1	4.0	39.0	PA 6/66	Std.	Natural
60N.160215.400A2	16.0	M14	21.5	27.1	4.0	40.0	PA 6/66	Std.	Natural
60N.160215.410A2	16.0	M14	21.5	27.1	4.0	41.0	PA 6/66	Std.	Natural
60N.160215.420A2	16.0	M14	21.5	27.1	4.0	42.0	PA 6/66	Std.	Natural
60N.160215.430A2	16.0	M14	21.5	27.1	4.0	43.0	PA 6/66	Std.	Natural
60N.160215.440A2	16.0	M14	21.5	27.1	4.0	44.0	PA 6/66	Std.	Natural
60N.160215.450A2	16.0	M14	21.5	27.1	4.0	45.0	PA 6/66	Std.	Natural
60N.160215.460A2	16.0	M14	21.5	27.1	4.0	46.0	PA 6/66	Std.	Natural
60N.160215.470A2	16.0	M14	21.5	27.1	4.0	47.0	PA 6/66	Std.	Natural
60N.160215.480A2	16.0	M14	21.5	27.1	4.0	48.0	PA 6/66	Std.	Natural
60N.160215.490A2	16.0	M14	21.5	27.1	4.0	49.0	PA 6/66	Std.	Natural
60N.160215.500A2	16.0	M14	21.5	27.1	4.0	50.0	PA 6/66	Std.	Natural
60N.163183.250A	16.3	M14	18.3	29.5	3.0	25.0	PA 6/66	Std.	Natural
60N.165195.210A	16.5	M14	19.5	36.0	3.0	21.0	PA 6/66	Std.	Natural
60N.205222.250A	20.5	M18	22.2	35.3	3.0	25.0	PA 6/66	Std.	Natural