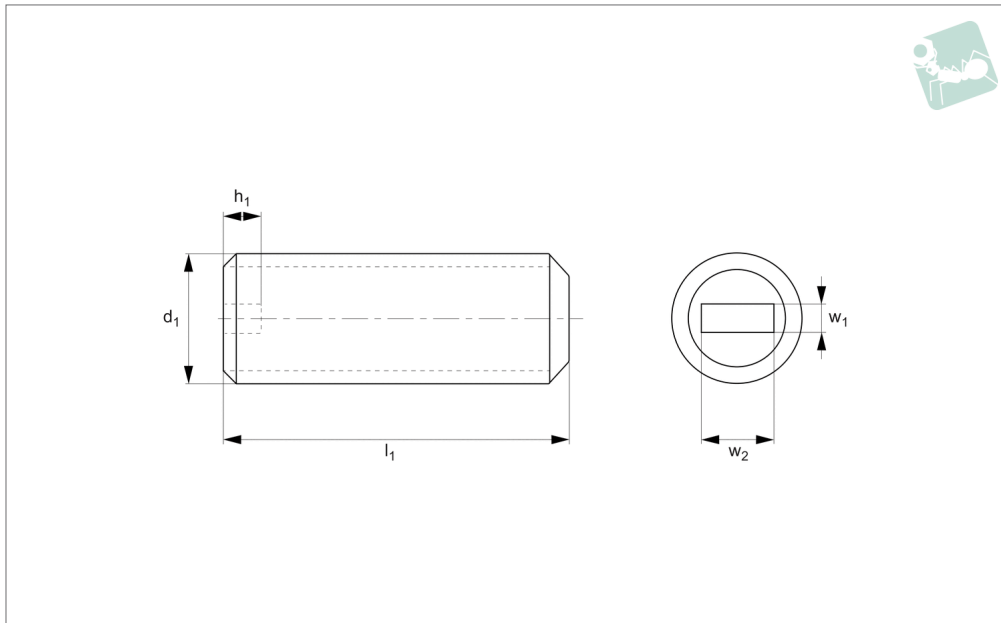




Enclosed Slotted Screw Set Flat Point

DIN 551

Nylon



N0028.55N

NYLON

Material

Nylon 66 (PA 6/66), standard.

Technical Notes

DIN norms were created for metal parts, the dimensions of our plastic DIN equivalents are close to the norm but do not

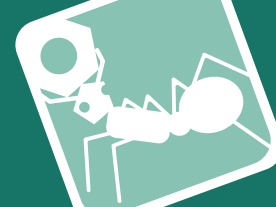
follow the strict tolerances typically relevant to metal parts.

Many Nylon parts are available in dyed black, this subject to a minimum value and process charge, please contact us for further details.

Dyed black colour is not long term UV stable. Nylon parts offer good electrical insulation, is resistant to corrosion and most dilute acids.

Nylon protects work surfaces and absorbs shocks and vibrations.

Order No.	Material	d	l	h	w	Grade	Finish	To standard
55N.030.0010.0AD	PA-6/66	M 3	10	0.8	0.4	Std.	Natural	DIN 551
55N.030.0080.0AD	PA-6/66	M 3	8	0.8	0.4	Std.	Natural	DIN 551
55N.030.0100.0AD	PA-6/66	M 3	10	0.8	0.4	Std.	Natural	DIN 551
55N.030.0120.0AD	PA-6/66	M 3	12	0.8	0.4	Std.	Natural	DIN 551
55N.030.0160.0AD	PA-6/66	M 3	16	0.8	0.4	Std.	Natural	DIN 551
55N.030.0200.0AD	PA-6/66	M 3	20	0.8	0.4	Std.	Natural	DIN 551
55N.030.0250.0AD	PA-6/66	M 3	25	0.8	0.4	Std.	Natural	DIN 551
55N.030.0300.0AD	PA-6/66	M 3	30	0.8	0.4	Std.	Natural	DIN 551
55N.030.0350.0AD	PA-6/66	M 3	35	0.8	0.4	Std.	Natural	DIN 551
55N.040.0030.0A	PA-6/66	M 4	3	1.1	0.6	Std.	Natural	-
55N.040.0040.0A	PA-6/66	M 4	4	1.1	0.6	Std.	Natural	-
55N.040.0060.0A	PA-6/66	M 4	6	1.1	0.6	Std.	Natural	-
55N.040.0080.0A	PA-6/66	M 4	8	1.1	0.6	Std.	Natural	-
55N.040.0080.0AD	PA-6/66	M 4	8	1.1	0.6	Std.	Natural	DIN 551
55N.040.0100.0A	PA-6/66	M 4	10	1.1	0.6	Std.	Natural	-
55N.040.0100.0AD	PA-6/66	M 4	10	1.1	0.6	Std.	Natural	DIN 551
55N.040.0120.0A	PA-6/66	M 4	12	1.1	0.6	Std.	Natural	-
55N.040.0120.0AD	PA-6/66	M 4	12	1.1	0.6	Std.	Natural	DIN 551
55N.040.0160.0A	PA-6/66	M 4	16	1.1	0.6	Std.	Natural	-
55N.040.0160.0AD	PA-6/66	M 4	16	1.1	0.6	Std.	Natural	DIN 551
55N.040.0200.0A	PA-6/66	M 4	20	1.1	0.6	Std.	Natural	-
55N.040.0200.0AD	PA-6/66	M 4	20	1.1	0.6	Std.	Natural	DIN 551
55N.040.0250.0A	PA-6/66	M 4	25	1.1	0.6	Std.	Natural	-
55N.040.0250.0AD	PA-6/66	M 4	25	1.1	0.6	Std.	Natural	DIN 551
55N.040.0300.0A	PA-6/66	M 4	30	1.1	0.6	Std.	Natural	-
55N.040.0350.0A	PA-6/66	M 4	35	1.1	0.6	Std.	Natural	-
55N.040.0400.0A	PA-6/66	M 4	40	1.1	0.6	Std.	Natural	-
55N.050.0060.0A	PA-6/66	M 5	6	1.2	0.8	Std.	Natural	-
55N.050.0060.0AD	PA-6/66	M 5	6	1.2	0.8	Std.	Natural	DIN 551
55N.050.0080.0A	PA-6/66	M 5	8	1.2	0.8	Std.	Natural	-
55N.050.0080.0AD	PA-6/66	M 5	8	1.2	0.8	Std.	Natural	DIN 551
55N.050.0100.0A	PA-6/66	M 5	10	1.2	0.8	Std.	Natural	-



Order No.	Material	d	l	h	w	Grade	Finish	To standard
55N.050.0100.OAD	PA-6/66	M 5	10	1.2	0.8	Std.	Natural	DIN 551
55N.050.0120.OA	PA-6/66	M 5	12	1.2	0.8	Std.	Natural	-
55N.050.0120.OAD	PA-6/66	M 5	12	1.2	0.8	Std.	Natural	DIN 551
55N.050.0160.OA	PA-6/66	M 5	16	1.2	0.8	Std.	Natural	-
55N.050.0160.OAD	PA-6/66	M 5	16	1.2	0.8	Std.	Natural	DIN 551
55N.050.0200.OA	PA-6/66	M 5	20	1.2	0.8	Std.	Natural	-
55N.050.0200.OAD	PA-6/66	M 5	20	1.2	0.8	Std.	Natural	DIN 551
55N.050.0250.OA	PA-6/66	M 5	25	1.2	0.8	Std.	Natural	-
55N.050.0250.OAD	PA-6/66	M 5	25	1.2	0.8	Std.	Natural	DIN 551
55N.050.0300.OA	PA-6/66	M 5	30	1.2	0.8	Std.	Natural	-
55N.050.0300.OAD	PA-6/66	M 5	30	1.2	0.8	Std.	Natural	DIN 551
55N.050.0350.OAD	PA-6/66	M 5	35	1.2	0.8	Std.	Natural	DIN 551
55N.050.0400.OA	PA-6/66	M 5	40	1.2	0.8	Std.	Natural	-
55N.050.0400.OAD	PA-6/66	M 5	40	1.2	0.8	Std.	Natural	DIN 551
55N.050.0450.OAD	PA-6/66	M 5	45	1.2	0.8	Std.	Natural	DIN 551
55N.050.0500.OAD	PA-6/66	M 5	50	1.2	0.8	Std.	Natural	DIN 551
55N.050.0550.OAD	PA-6/66	M 5	55	1.2	0.8	Std.	Natural	DIN 551
55N.050.0600.OAD	PA-6/66	M 5	60	1.2	0.8	Std.	Natural	DIN 551
55N.050.0700.OAD	PA-6/66	M 5	70	1.2	0.8	Std.	Natural	DIN 551
55N.060.0050.OA	PA-6/66	M 6	5	1.6	1.0	Std.	Natural	-
55N.060.0060.OAD	PA-6/66	M 6	6	1.6	1.0	Std.	Natural	DIN 551
55N.060.0080.OA	PA-6/66	M 6	8	1.6	1.0	Std.	Natural	-
55N.060.0080.OAD	PA-6/66	M 6	8	1.6	1.0	Std.	Natural	DIN 551
55N.060.0100.OA	PA-6/66	M 6	10	1.6	1.0	Std.	Natural	-
55N.060.0100.OAD	PA-6/66	M 6	10	1.6	1.0	Std.	Natural	DIN 551
55N.060.0120.OA	PA-6/66	M 6	12	1.6	1.0	Std.	Natural	-
55N.060.0120.OAD	PA-6/66	M 6	12	1.6	1.0	Std.	Natural	DIN 551
55N.060.0160.OA	PA-6/66	M 6	16	1.6	1.0	Std.	Natural	-
55N.060.0160.OAD	PA-6/66	M 6	16	1.6	1.0	Std.	Natural	DIN 551
55N.060.0200.OA	PA-6/66	M 6	20	1.6	1.0	Std.	Natural	-
55N.060.0200.OAD	PA-6/66	M 6	20	1.6	1.0	Std.	Natural	DIN 551
55N.060.0250.OA	PA-6/66	M 6	25	1.6	1.0	Std.	Natural	-
55N.060.0250.OAD	PA-6/66	M 6	25	1.6	1.0	Std.	Natural	DIN 551
55N.060.0300.OA	PA-6/66	M 6	30	1.6	1.0	Std.	Natural	-
55N.060.0300.OAD	PA-6/66	M 6	30	1.6	1.0	Std.	Natural	DIN 551
55N.060.0350.OA	PA-6/66	M 6	35	1.6	1.0	Std.	Natural	-
55N.060.0350.OAD	PA-6/66	M 6	35	1.6	1.0	Std.	Natural	DIN 551
55N.060.0400.OAD	PA-6/66	M 6	40	1.6	1.0	Std.	Natural	DIN 551
55N.060.0450.OA	PA-6/66	M 6	45	1.6	1.0	Std.	Natural	-
55N.060.0450.OAD	PA-6/66	M 6	45	1.6	1.0	Std.	Natural	DIN 551
55N.060.0500.OA	PA-6/66	M 6	50	1.6	1.0	Std.	Natural	-
55N.060.0500.OAD	PA-6/66	M 6	50	1.6	1.0	Std.	Natural	DIN 551
55N.060.0600.OA	PA-6/66	M 6	60	1.6	1.0	Std.	Natural	-
55N.060.0600.OAD	PA-6/66	M 6	60	1.6	1.0	Std.	Natural	DIN 551
55N.060.0700.OAD	PA-6/66	M 6	70	1.6	1.0	Std.	Natural	DIN 551
55N.060.0800.OAD	PA-6/66	M 6	80	1.6	1.0	Std.	Natural	DIN 551
55N.080.0060.OAD	PA-6/66	M 8	6	2.0	1.2	Std.	Natural	DIN 551
55N.080.0080.OAD	PA-6/66	M 8	8	2.0	1.2	Std.	Natural	DIN 551
55N.080.0100.OA	PA-6/66	M 8	10	2.0	1.2	Std.	Natural	-
55N.080.0100.OAD	PA-6/66	M 8	10	2.0	1.2	Std.	Natural	DIN 551
55N.080.0120.OAD	PA-6/66	M 8	12	2.0	1.2	Std.	Natural	DIN 551
55N.080.0160.OA	PA-6/66	M 8	16	2.0	1.2	Std.	Natural	-
55N.080.0160.OAD	PA-6/66	M 8	16	2.0	1.2	Std.	Natural	DIN 551
55N.080.0200.OA	PA-6/66	M 8	20	2.0	1.2	Std.	Natural	-
55N.080.0200.OAD	PA-6/66	M 8	20	2.0	1.2	Std.	Natural	DIN 551
55N.080.0250.OA	PA-6/66	M 8	25	2.0	1.2	Std.	Natural	-
55N.080.0250.OAD	PA-6/66	M 8	25	2.0	1.2	Std.	Natural	DIN 551
55N.080.0300.OA	PA-6/66	M 8	30	2.0	1.2	Std.	Natural	-
55N.080.0300.OAD	PA-6/66	M 8	30	2.0	1.2	Std.	Natural	DIN 551
55N.080.0350.OA	PA-6/66	M 8	35	2.0	1.2	Std.	Natural	-
55N.080.0350.OAD	PA-6/66	M 8	35	2.0	1.2	Std.	Natural	DIN 551
55N.080.0400.OAD	PA-6/66	M 8	40	2.0	1.2	Std.	Natural	DIN 551
55N.080.0450.OAD	PA-6/66	M 8	45	2.0	1.2	Std.	Natural	DIN 551
55N.080.0500.OA	PA-6/66	M 8	50	2.0	1.2	Std.	Natural	-
55N.080.0500.OAD	PA-6/66	M 8	50	2.0	1.2	Std.	Natural	DIN 551
55N.080.0600.OAD	PA-6/66	M 8	60	2.0	1.2	Std.	Natural	DIN 551
55N.080.0700.OAD	PA-6/66	M 8	70	2.0	1.2	Std.	Natural	DIN 551
55N.080.0800.OAD	PA-6/66	M 8	80	2.0	1.2	Std.	Natural	DIN 551
55N.100.0060.OAD	PA-6/66	M10	6	2.4	1.6	Std.	Natural	DIN 551



Enclosed Slotted Screw Set Flat Point

DIN 551

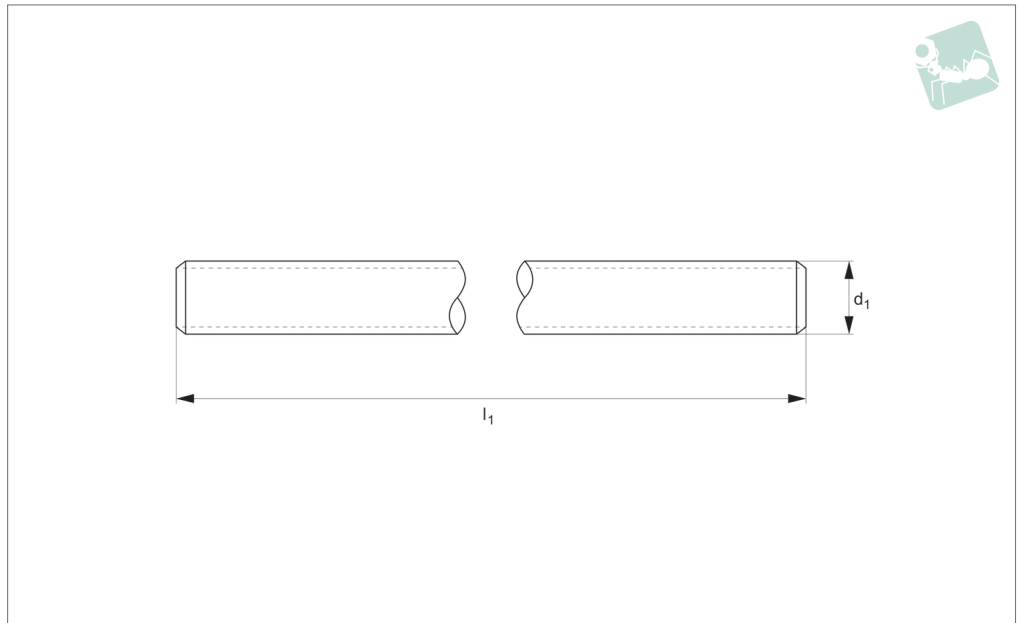
Nylon

Order No.	Material	d	l	h	w	Grade	Finish	To standard
55N.100.0080.0AD	PA-6/66	M10	8	2.4	1.6	Std.	Natural	DIN 551
55N.100.0100.0A	PA-6/66	M10	10	2.4	1.6	Std.	Natural	-
55N.100.0100.0AD	PA-6/66	M10	10	2.4	1.6	Std.	Natural	DIN 551
55N.100.0120.0AD	PA-6/66	M10	12	2.4	1.6	Std.	Natural	DIN 551
55N.100.0130.0A	PA-6/66	M10	13	2.4	1.6	Std.	Natural	-
55N.100.0160.0A	PA-6/66	M10	16	2.4	1.6	Std.	Natural	-
55N.100.0160.0AD	PA-6/66	M10	16	2.4	1.6	Std.	Natural	DIN 551
55N.100.0200.0A	PA-6/66	M10	20	2.4	1.6	Std.	Natural	-
55N.100.0200.0AD	PA-6/66	M10	20	2.4	1.6	Std.	Natural	DIN 551
55N.100.0250.0A	PA-6/66	M10	25	2.4	1.6	Std.	Natural	-
55N.100.0250.0AD	PA-6/66	M10	25	2.4	1.6	Std.	Natural	DIN 551
55N.100.0300.0A	PA-6/66	M10	30	2.4	1.6	Std.	Natural	-
55N.100.0300.0AD	PA-6/66	M10	30	2.4	1.6	Std.	Natural	DIN 551
55N.100.0350.0A	PA-6/66	M10	35	2.4	1.6	Std.	Natural	-
55N.100.0350.0AD	PA-6/66	M10	35	2.4	1.6	Std.	Natural	DIN 551
55N.100.0400.0AD	PA-6/66	M10	40	2.4	1.6	Std.	Natural	DIN 551
55N.100.0450.0AD	PA-6/66	M10	45	2.4	1.6	Std.	Natural	DIN 551
55N.100.0500.0A	PA-6/66	M10	50	2.4	1.6	Std.	Natural	-
55N.100.0500.0AD	PA-6/66	M10	50	2.4	1.6	Std.	Natural	DIN 551
55N.100.0600.0A	PA-6/66	M10	60	2.4	1.6	Std.	Natural	-
55N.100.0600.0AD	PA-6/66	M10	60	2.4	1.6	Std.	Natural	DIN 551
55N.100.0700.0AD	PA-6/66	M10	70	2.4	1.6	Std.	Natural	DIN 551
55N.100.0800.0AD	PA-6/66	M10	80	2.4	1.6	Std.	Natural	DIN 551
55N.120.0100.0AD	PA-6/66	M12	10	2.8	2.0	Std.	Natural	DIN 551
55N.120.0120.0AD	PA-6/66	M12	12	2.8	2.0	Std.	Natural	DIN 551
55N.120.0160.0AD	PA-6/66	M12	16	2.8	2.0	Std.	Natural	DIN 551
55N.120.0200.0AD	PA-6/66	M12	20	2.8	2.0	Std.	Natural	DIN 551
55N.120.0250.0AD	PA-6/66	M12	25	2.8	2.0	Std.	Natural	DIN 551
55N.120.0300.0AD	PA-6/66	M12	30	2.8	2.0	Std.	Natural	DIN 551
55N.120.0350.0AD	PA-6/66	M12	35	2.8	2.0	Std.	Natural	DIN 551
55N.120.0400.0AD	PA-6/66	M12	40	2.8	2.0	Std.	Natural	DIN 551
55N.120.0450.0AD	PA-6/66	M12	45	2.8	2.0	Std.	Natural	DIN 551
55N.120.0500.0AD	PA-6/66	M12	50	2.8	2.0	Std.	Natural	DIN 551
55N.120.0600.0AD	PA-6/66	M12	60	2.8	2.0	Std.	Natural	DIN 551
55N.120.0700.0AD	PA-6/66	M12	70	2.8	2.0	Std.	Natural	DIN 551
55N.120.0800.0AD	PA-6/66	M12	80	2.8	2.0	Std.	Natural	DIN 551

NYLON



N0390.97N



Material

Nylon 66 (PA 6/66), standard. Natural.

Technical Notes

DIN norms were created for metal parts, the dimensions of our plastic DIN equivalents are close to the norm but do not follow the strict tolerances typically rele-

vant to metal parts.

Many Nylon parts are available in dyed black, this subject to a minimum value and process charge, please contact us for further details.

Dyed black colour is not long term UV stable.

Nylon parts offer good electrical insulation, is resistant to corrosion and most dilute acids.

Nylon protects work surfaces and absorbs shocks and vibrations.

Order No.	Material	d	l	Grade	Colour	To standard
97N.030.1000.0AD	PA-6/66	M 3 x 0,5	1000	Std.	Natural	DIN 975
97N.040.1000.0AD	PA-6/66	M 4 x 0,7	1000	Std.	Natural	DIN 975
97N.050.1000.0AD	PA-6/66	M 5 x 0,8	1000	Std.	Natural	DIN 975
97N.060.1000.0AD	PA-6/66	M 6 x 1,0	1000	Std.	Natural	DIN 975
97N.080.1000.0AD	PA-6/66	M 8 x 1,25	1000	Std.	Natural	DIN 975
97N.100.1000.0AD	PA-6/66	M10 x 1,5	1000	Std.	Natural	DIN 975
97N.120.1000.0AD	PA-6/66	M12 x 1,75	1000	Std.	Natural	DIN 975
97N.140.1000.0AD	PA-6/66	M14 x 2,0	1000	Std.	Natural	DIN 975
97N.160.1000.0AD	PA-6/66	M16 x 2,0	1000	Std.	Natural	DIN 975
97N.180.1000.0AD	PA-6/66	M18 x 2,5	1000	Std.	Natural	DIN 975
97N.200.1000.0AD	PA-6/66	M20 x 2,5	1000	Std.	Natural	DIN 975
97N.220.1000.0AD	PA-6/66	M22 x 2,5	1000	Std.	Natural	DIN 975
97N.240.1000.0AD	PA-6/66	M24 x 3,0	1000	Std.	Natural	DIN 975
97N.250.1000.0AD	PA-6/66	M25 x 3,0	1000	Std.	Natural	DIN 975
97N.270.1000.0AD	PA-6/66	M27 x 3,0	1000	Std.	Natural	DIN 975
97N.300.1000.0AD	PA-6/66	M30 x 3,5	1000	Std.	Natural	DIN 975
97N.360.1000.0AD	PA-6/66	M36 x 4,0	1000	Std.	Natural	DIN 975