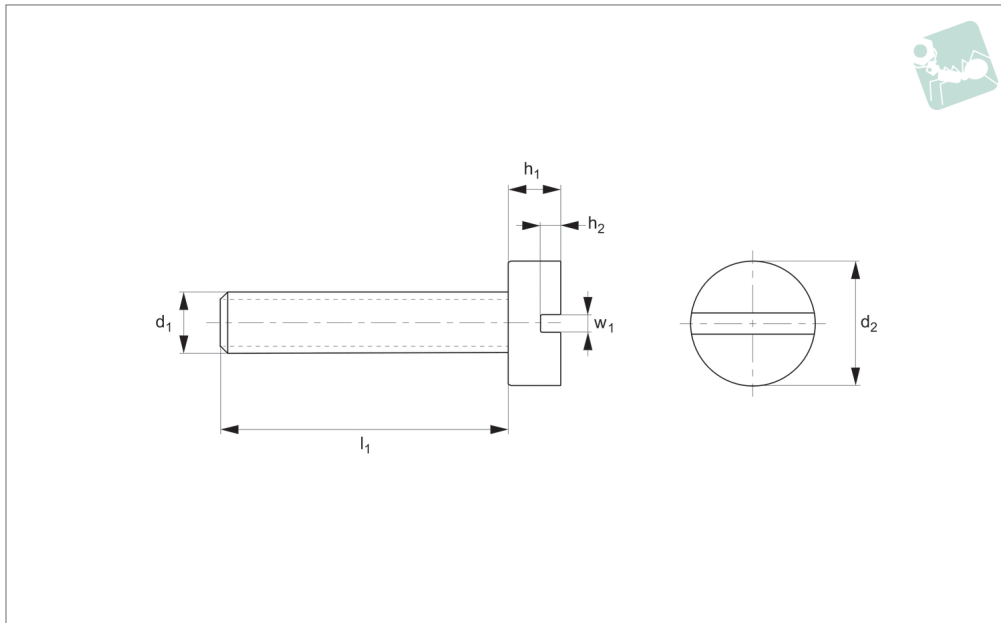




# Slot Cheese Machine Screws

DIN 84

Nylon



**N0001.84N**

NYLON

### Material

Nylon 66 (PA 6/66), standard.

### Technical Notes

DIN norms were created for metal parts, the dimensions of our plastic DIN equivalents are close to the norm but do not

follow the strict tolerances typically relevant to metal parts.

Many Nylon parts are available in dyed black, this subject to a minimum value and process charge, please contact us for further details.

Dyed black colour is not long term UV stable. Nylon parts offer good electrical insulation, is resistant to corrosion and most dilute acids.

Nylon protects work surfaces and absorbs shocks and vibrations.

Order No.	d <sub>1</sub>	l <sub>1</sub>	d <sub>2</sub>	h <sub>1</sub>	h <sub>2</sub>	w <sub>1</sub>	Material	Grade	Finish	To standard
84N.020.0040.0A	M 2	4	3.8	1.3	0.6	0.5	PA-6/66	Std	Natural	-
84N.020.0050.0A	M 2	5	3.8	1.3	0.6	0.5	PA-6/66	Std	Natural	-
84N.020.0060.0A	M 2	6	3.8	1.3	0.6	0.5	PA-6/66	Std	Natural	-
84N.020.0060.0AD	M 2	6	3.8	1.4	0.6	0.5	PA-6/66	Std	Natural	DIN 84
84N.020.0080.0A	M 2	8	3.8	1.3	0.6	0.5	PA-6/66	Std	Natural	-
84N.020.0080.0AD	M 2	8	3.8	1.4	0.6	0.5	PA-6/66	Std	Natural	DIN 84
84N.020.0100.0A	M 2	10	3.8	1.3	0.6	0.5	PA-6/66	Std	Natural	-
84N.020.0100.0AD	M 2	10	3.8	1.4	0.6	0.5	PA-6/66	Std	Natural	DIN 84
84N.020.0120.0A	M 2	12	3.8	1.3	0.6	0.5	PA-6/66	Std	Natural	-
84N.020.0120.0AD	M 2	12	3.8	1.4	0.6	0.5	PA-6/66	Std	Natural	DIN 84
84N.020.0160.0A	M 2	16	3.8	1.3	0.6	0.5	PA-6/66	Std	Natural	-
84N.020.0160.0AD	M 2	16	3.8	1.4	0.6	0.5	PA-6/66	Std	Natural	DIN 84
84N.020.0200.0A	M 2	20	3.8	1.3	0.6	0.5	PA-6/66	Std	Natural	-
84N.020.0200.0AD	M 2	20	3.8	1.4	0.6	0.5	PA-6/66	Std	Natural	DIN 84
84N.020.0250.0A	M 2	25	3.8	1.3	0.6	0.5	PA-6/66	Std	Natural	-
84N.025.0040.0A	M2,5	4	4.5	1.8	0.7	0.8	PA-6/66	Std	Natural	-
84N.025.0060.0A	M2,5	6	4.5	1.8	0.7	0.8	PA-6/66	Std	Natural	-
84N.025.0060.0AD	M2,5	6	4.5	1.8	0.7	0.6	PA-6/66	Std	Natural	DIN 84
84N.025.0080.0A	M2,5	8	4.5	1.8	0.7	0.8	PA-6/66	Std	Natural	-
84N.025.0080.0AD	M2,5	8	4.5	1.8	0.7	0.6	PA-6/66	Std	Natural	DIN 84
84N.025.0100.0A	M2,5	10	4.5	1.8	0.7	0.8	PA-6/66	Std	Natural	-
84N.025.0100.0AD	M2,5	10	4.5	1.8	0.7	0.6	PA-6/66	Std	Natural	DIN 84
84N.025.0120.0A	M2,5	12	4.5	1.8	0.7	0.8	PA-6/66	Std	Natural	-
84N.025.0120.0AD	M2,5	12	4.5	1.8	0.7	0.6	PA-6/66	Std	Natural	DIN 84
84N.025.0160.0A	M2,5	16	4.5	1.8	0.7	0.8	PA-6/66	Std	Natural	-
84N.025.0160.0AD	M2,5	16	4.5	1.8	0.7	0.6	PA-6/66	Std	Natural	DIN 84
84N.025.0180.0A	M2,5	18	4.5	1.8	0.7	0.8	PA-6/66	Std	Natural	-
84N.025.0200.0A	M2,5	20	4.5	1.8	0.7	0.8	PA-6/66	Std	Natural	-
84N.025.0200.0AD	M2,5	20	4.5	1.8	0.7	0.6	PA-6/66	Std	Natural	DIN 84
84N.025.0250.0A	M2,5	25	4.5	1.8	0.7	0.8	PA-6/66	Std	Natural	-
84N.030.0030.0A	M 3	3	5.5	2.0	0.8	0.8	PA-6/66	Std	Natural	-
84N.030.0040.0A	M 3	4	5.5	2.0	0.8	0.8	PA-6/66	Std	Natural	-



Order No.	d <sub>1</sub>	l <sub>1</sub>	d <sub>2</sub>	h <sub>1</sub>	h <sub>2</sub>	w <sub>1</sub>	Material	Grade	Finish	To standard
84N.030.0050.OA	M 3	5	5.5	2.0	0.8	0.8	PA-6/66	Std	Natural	-
84N.030.0050.OAD	M 3	5	5.5	2.0	0.8	0.8	PA-6/66	Std	Natural	DIN 84
84N.030.0060.OA	M 3	6	5.5	2.0	0.8	0.8	PA-6/66	Std	Natural	-
84N.030.0060.OAD	M 3	6	5.5	2.0	0.8	0.8	PA-6/66	Std	Natural	DIN 84
84N.030.0080.OA	M 3	8	5.5	2.0	0.8	0.8	PA-6/66	Std	Natural	-
84N.030.0080.OAD	M 3	8	5.5	2.0	0.8	0.8	PA-6/66	Std	Natural	DIN 84
84N.030.0100.OA	M 3	10	5.5	2.0	0.8	0.8	PA-6/66	Std	Natural	-
84N.030.0100.OAD	M 3	10	5.5	2.0	0.8	0.8	PA-6/66	Std	Natural	DIN 84
84N.030.0120.OA	M 3	12	5.5	2.0	0.8	0.8	PA-6/66	Std	Natural	-
84N.030.0120.OAD	M 3	12	5.5	2.0	0.8	0.8	PA-6/66	Std	Natural	DIN 84
84N.030.0140.OA	M 3	14	5.5	2.0	0.8	0.8	PA-6/66	Std	Natural	-
84N.030.0160.OA	M 3	16	5.5	2.0	0.8	0.8	PA-6/66	Std	Natural	-
84N.030.0160.OAD	M 3	16	5.5	2.0	0.8	0.8	PA-6/66	Std	Natural	DIN 84
84N.030.0200.OA	M 3	20	5.5	2.0	0.8	0.8	PA-6/66	Std	Natural	-
84N.030.0200.OAD	M 3	20	5.5	2.0	0.8	0.8	PA-6/66	Std	Natural	DIN 84
84N.030.0250.OA	M 3	25	5.5	2.0	0.8	0.8	PA-6/66	Std	Natural	-
84N.030.0250.OAD	M 3	25	5.5	2.0	0.8	0.8	PA-6/66	Std	Natural	DIN 84
84N.030.0300.OA	M 3	30	5.5	2.0	0.8	0.8	PA-6/66	Std	Natural	-
84N.030.0300.OAD	M 3	30	5.5	2.0	0.8	0.8	PA-6/66	Std	Natural	DIN 84
84N.030.0350.OA	M 3	35	5.5	2.0	0.8	0.8	PA-6/66	Std	Natural	-
84N.030.0350.OAD	M 3	35	5.5	2.0	0.8	0.8	PA-6/66	Std	Natural	DIN 84
84N.030.0400.OA	M 3	40	5.5	2.0	0.8	0.8	PA-6/66	Std	Natural	-
84N.030.0400.OAD	M 3	40	5.5	2.0	0.8	0.8	PA-6/66	Std	Natural	DIN 84
84N.030.0420.OA	M 3	42	5.5	2.0	0.8	0.8	PA-6/66	Std	Natural	-
84N.035.0050.OA	M3,5	5	6.0	2.4	1.4	1.1	PA-6/66	Std	Natural	-
84N.035.0060.OA	M3,5	6	6.0	2.4	1.4	1.1	PA-6/66	Std	Natural	-
84N.035.0080.OA	M3,5	8	6.0	2.4	1.4	1.1	PA-6/66	Std	Natural	-
84N.035.0100.OA	M3,5	10	6.0	2.4	1.4	1.1	PA-6/66	Std	Natural	-
84N.035.0120.OA	M3,5	12	6.0	2.4	1.4	1.1	PA-6/66	Std	Natural	-
84N.035.0160.OA	M3,5	16	6.0	2.4	1.4	1.1	PA-6/66	Std	Natural	-
84N.035.0200.OA	M3,5	20	6.0	2.4	1.4	1.1	PA-6/66	Std	Natural	-
84N.035.0250.OA	M3,5	25	6.0	2.4	1.4	1.1	PA-6/66	Std	Natural	-
84N.035.0350.OA	M3,5	35	6.0	2.4	1.4	1.1	PA-6/66	Std	Natural	-
84N.035.0420.OA	M3,5	42	6.0	2.4	1.4	1.1	PA-6/66	Std	Natural	-
84N.040.0040.OA	M 4	4	7.0	2.6	1.1	1.2	PA-6/66	Std	Natural	-
84N.040.0050.OA	M 4	5	7.0	2.6	1.1	1.2	PA-6/66	Std	Natural	-
84N.040.0060.OA	M 4	6	7.0	2.6	1.1	1.2	PA-6/66	Std	Natural	-
84N.040.0060.OAD	M 4	6	7.0	2.6	1.1	1.2	PA-6/66	Std	Natural	DIN 84
84N.040.0080.OA	M 4	8	7.0	2.6	1.1	1.2	PA-6/66	Std	Natural	-
84N.040.0080.OAD	M 4	8	7.0	2.6	1.1	1.2	PA-6/66	Std	Natural	DIN 84
84N.040.0100.OA	M 4	10	7.0	2.6	1.1	1.2	PA-6/66	Std	Natural	-
84N.040.0100.OAD	M 4	10	7.0	2.6	1.1	1.2	PA-6/66	Std	Natural	DIN 84
84N.040.0120.OA	M 4	12	7.0	2.6	1.1	1.2	PA-6/66	Std	Natural	-
84N.040.0120.OAD	M 4	12	7.0	2.6	1.1	1.2	PA-6/66	Std	Natural	DIN 84
84N.040.0160.OA	M 4	16	7.0	2.6	1.1	1.2	PA-6/66	Std	Natural	-
84N.040.0160.OAD	M 4	16	7.0	2.6	1.1	1.2	PA-6/66	Std	Natural	DIN 84
84N.040.0200.OA	M 4	20	7.0	2.6	1.1	1.2	PA-6/66	Std	Natural	-
84N.040.0200.OAD	M 4	20	7.0	2.6	1.1	1.2	PA-6/66	Std	Natural	DIN 84
84N.040.0250.OA	M 4	25	7.0	2.6	1.1	1.2	PA-6/66	Std	Natural	-
84N.040.0250.OAD	M 4	25	7.0	2.6	1.1	1.2	PA-6/66	Std	Natural	DIN 84
84N.040.0300.OA	M 4	30	7.0	2.6	1.1	1.2	PA-6/66	Std	Natural	-
84N.040.0350.OA	M 4	35	7.0	2.6	1.1	1.2	PA-6/66	Std	Natural	-
84N.040.0400.OA	M 4	40	7.0	2.6	1.1	1.2	PA-6/66	Std	Natural	-
84N.050.0060.OA	M 5	6	8.5	3.3	1.3	1.2	PA-6/66	Std	Natural	-
84N.050.0060.OAD	M 5	6	8.5	3.3	1.3	1.2	PA-6/66	Std	Natural	DIN 84
84N.050.0080.OA	M 5	8	8.5	3.3	1.3	1.2	PA-6/66	Std	Natural	-
84N.050.0080.OAD	M 5	8	8.5	3.3	1.3	1.2	PA-6/66	Std	Natural	DIN 84
84N.050.0100.OA	M 5	10	8.5	3.3	1.3	1.2	PA-6/66	Std	Natural	-
84N.050.0100.OAD	M 5	10	8.5	3.3	1.3	1.2	PA-6/66	Std	Natural	DIN 84
84N.050.0120.OA	M 5	12	8.5	3.3	1.3	1.2	PA-6/66	Std	Natural	-
84N.050.0120.OAD	M 5	12	8.5	3.3	1.3	1.2	PA-6/66	Std	Natural	DIN 84
84N.050.0150.OAD	M 5	15	8.5	3.3	1.3	1.2	PA-6/66	Std	Natural	DIN 84
84N.050.0160.OA	M 5	16	8.5	3.3	1.3	1.2	PA-6/66	Std	Natural	-
84N.050.0160.OAD	M 5	16	8.5	3.3	1.3	1.2	PA-6/66	Std	Natural	DIN 84
84N.050.0170.OAD	M 5	17	8.5	3.3	1.3	1.2	PA-6/66	Std	Natural	DIN 84
84N.050.0200.OA	M 5	20	8.5	3.3	1.3	1.2	PA-6/66	Std	Natural	-
84N.050.0200.OAD	M 5	20	8.5	3.3	1.3	1.2	PA-6/66	Std	Natural	DIN 84
84N.050.0250.OA	M 5	25	8.5	3.3	1.3	1.2	PA-6/66	Std	Natural	-
84N.050.0250.OAD	M 5	25	8.5	3.3	1.3	1.2	PA-6/66	Std	Natural	DIN 84



# Slot Cheese Machine Screws

## DIN 84

Nylon

Order No.	d <sub>1</sub>	l <sub>1</sub>	d <sub>2</sub>	h <sub>1</sub>	h <sub>2</sub>	w <sub>1</sub>	Material	Grade	Finish	To standard
84N.050.0300.OA	M 5	30	8.5	3.3	1.3	1.2	PA-6/66	Std	Natural	-
84N.050.0300.OAD	M 5	30	8.5	3.3	1.3	1.2	PA-6/66	Std	Natural	DIN 84
84N.050.0350.OA	M 5	35	8.5	3.3	1.3	1.2	PA-6/66	Std	Natural	-
84N.050.0350.OAD	M 5	35	8.5	3.3	1.3	1.2	PA-6/66	Std	Natural	DIN 84
84N.050.0400.OA	M 5	40	8.5	3.3	1.3	1.2	PA-6/66	Std	Natural	-
84N.050.0400.OAD	M 5	40	8.5	3.3	1.3	1.2	PA-6/66	Std	Natural	DIN 84
84N.050.0450.OAD	M 5	45	8.5	3.3	1.3	1.2	PA-6/66	Std	Natural	DIN 84
84N.050.0500.OA	M 5	50	8.5	3.3	1.3	1.2	PA-6/66	Std	Natural	-
84N.050.0500.OAD	M 5	50	8.5	3.3	1.3	1.2	PA-6/66	Std	Natural	DIN 84
84N.050.0550.OAD	M 5	55	8.5	3.3	1.3	1.2	PA-6/66	Std	Natural	DIN 84
84N.050.0600.OAD	M 5	60	8.5	3.3	1.3	1.2	PA-6/66	Std	Natural	DIN 84
84N.050.0650.OAD	M 5	65	8.5	3.3	1.3	1.2	PA-6/66	Std	Natural	DIN 84
84N.050.0700.OAD	M 5	70	8.5	3.3	1.3	1.2	PA-6/66	Std	Natural	DIN 84
84N.060.0050.OA	M 6	5	10.0	3.9	1.6	1.6	PA-6/66	Std	Natural	-
84N.060.0060.OAD	M 6	6	10.0	3.9	1.6	1.6	PA-6/66	Std	Natural	DIN 84
84N.060.0080.OA	M 6	8	10.0	3.9	1.6	1.6	PA-6/66	Std	Natural	-
84N.060.0080.OAD	M 6	8	10.0	3.9	1.6	1.6	PA-6/66	Std	Natural	DIN 84
84N.060.0100.OA	M 6	10	10.0	3.9	1.6	1.6	PA-6/66	Std	Natural	-
84N.060.0100.OAD	M 6	10	10.0	3.9	1.6	1.6	PA-6/66	Std	Natural	DIN 84
84N.060.0120.OA	M 6	12	10.0	3.9	1.6	1.6	PA-6/66	Std	Natural	-
84N.060.0120.OAD	M 6	12	10.0	3.9	1.6	1.6	PA-6/66	Std	Natural	DIN 84
84N.060.0150.OAD	M 6	15	10.0	3.9	1.6	1.6	PA-6/66	Std	Natural	DIN 84
84N.060.0160.OA	M 6	16	10.0	3.9	1.6	1.6	PA-6/66	Std	Natural	-
84N.060.0160.OAD	M 6	16	10.0	3.9	1.6	1.6	PA-6/66	Std	Natural	DIN 84
84N.060.0170.OAD	M 6	17	10.0	3.9	1.6	1.6	PA-6/66	Std	Natural	DIN 84
84N.060.0200.OA	M 6	20	10.0	3.9	1.6	1.6	PA-6/66	Std	Natural	-
84N.060.0200.OAD	M 6	20	10.0	3.9	1.6	1.6	PA-6/66	Std	Natural	DIN 84
84N.060.0250.OA	M 6	25	10.0	3.9	1.6	1.6	PA-6/66	Std	Natural	-
84N.060.0250.OAD	M 6	25	10.0	3.9	1.6	1.6	PA-6/66	Std	Natural	DIN 84
84N.060.0300.OA	M 6	30	10.0	3.9	1.6	1.6	PA-6/66	Std	Natural	-
84N.060.0300.OAD	M 6	30	10.0	3.9	1.6	1.6	PA-6/66	Std	Natural	DIN 84
84N.060.0350.OA	M 6	35	10.0	3.9	1.6	1.6	PA-6/66	Std	Natural	-
84N.060.0350.OAD	M 6	35	10.0	3.9	1.6	1.6	PA-6/66	Std	Natural	DIN 84
84N.060.0400.OA	M 6	40	10.0	3.9	1.6	1.6	PA-6/66	Std	Natural	-
84N.060.0400.OAD	M 6	40	10.0	3.9	1.6	1.6	PA-6/66	Std	Natural	DIN 84
84N.060.0450.OA	M 6	45	10.0	3.9	1.6	1.6	PA-6/66	Std	Natural	-
84N.060.0450.OAD	M 6	45	10.0	3.9	1.6	1.6	PA-6/66	Std	Natural	DIN 84
84N.060.0500.OA	M 6	50	10.0	3.9	1.6	1.6	PA-6/66	Std	Natural	-
84N.060.0500.OAD	M 6	50	10.0	3.9	1.6	1.6	PA-6/66	Std	Natural	DIN 84
84N.060.0550.OAD	M 6	55	10.0	3.9	1.6	1.6	PA-6/66	Std	Natural	DIN 84
84N.060.0600.OA	M 6	60	10.0	3.9	1.6	1.6	PA-6/66	Std	Natural	-
84N.060.0600.OAD	M 6	60	10.0	3.9	1.6	1.6	PA-6/66	Std	Natural	DIN 84
84N.060.0650.OAD	M 6	65	10.0	3.9	1.6	1.6	PA-6/66	Std	Natural	DIN 84
84N.060.0700.OA	M 6	70	10.0	3.9	1.6	1.6	PA-6/66	Std	Natural	-
84N.060.0700.OAD	M 6	70	10.0	3.9	1.6	1.6	PA-6/66	Std	Natural	DIN 84
84N.060.0750.OA	M 6	75	10.0	3.9	1.6	1.6	PA-6/66	Std	Natural	-
84N.060.0750.OAD	M 6	75	10.0	3.9	1.6	1.6	PA-6/66	Std	Natural	DIN 84
84N.060.0800.OA	M 6	80	10.0	3.9	1.6	1.6	PA-6/66	Std	Natural	-
84N.060.0800.OAD	M 6	80	10.0	3.9	1.6	1.6	PA-6/66	Std	Natural	DIN 84
84N.060.0850.OAD	M 6	85	10.0	3.9	1.6	1.6	PA-6/66	Std	Natural	DIN 84
84N.060.0900.OAD	M 6	90	10.0	3.9	1.6	1.6	PA-6/66	Std	Natural	DIN 84
84N.060.0950.OAD	M 6	95	10.0	3.9	1.6	1.6	PA-6/66	Std	Natural	DIN 84
84N.060.1000.OAD	M 6	100	10.0	3.9	1.6	1.6	PA-6/66	Std	Natural	DIN 84
84N.060.1100.OAD	M 6	110	10.0	3.9	1.6	1.6	PA-6/66	Std	Natural	DIN 84
84N.060.1200.OAD	M 6	120	10.0	3.9	1.6	1.6	PA-6/66	Std	Natural	DIN 84
84N.060.1300.OAD	M 6	130	10.0	3.9	1.6	1.6	PA-6/66	Std	Natural	DIN 84
84N.080.0080.OAD	M 8	8	13.0	5.0	2.0	2.3	PA-6/66	Std	Natural	DIN 84
84N.080.0100.OAD	M 8	10	13.0	5.0	2.0	2.3	PA-6/66	Std	Natural	DIN 84
84N.080.0120.OAD	M 8	12	13.0	5.0	2.0	2.3	PA-6/66	Std	Natural	DIN 84
84N.080.0150.OAD	M 8	15	13.0	5.0	2.0	2.3	PA-6/66	Std	Natural	DIN 84
84N.080.0160.OAD	M 8	16	13.0	5.0	2.0	2.3	PA-6/66	Std	Natural	DIN 84
84N.080.0170.OAD	M 8	17	13.0	5.0	2.0	2.3	PA-6/66	Std	Natural	DIN 84
84N.080.0200.OAD	M 8	20	13.0	5.0	2.0	2.3	PA-6/66	Std	Natural	DIN 84
84N.080.0250.OAD	M 8	25	13.0	5.0	2.0	2.3	PA-6/66	Std	Natural	DIN 84
84N.080.0300.OAD	M 8	30	13.0	5.0	2.0	2.3	PA-6/66	Std	Natural	DIN 84
84N.080.0350.OAD	M 8	35	13.0	5.0	2.0	2.3	PA-6/66	Std	Natural	DIN 84
84N.080.0400.OA	M 8	40	13.0	5.0	2.0	2.3	PA-6/66	Std	Natural	-
84N.080.0400.OAD	M 8	40	13.0	5.0	2.0	2.3	PA-6/66	Std	Natural	DIN 84
84N.080.0450.OAD	M 8	45	13.0	5.0	2.0	2.3	PA-6/66	Std	Natural	DIN 84

NOTEN



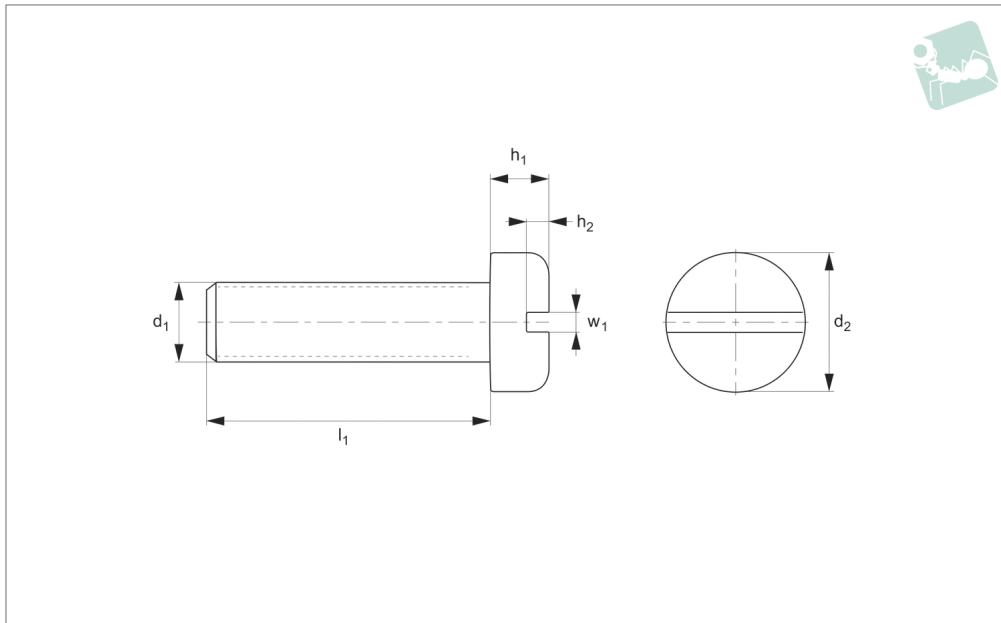
Order No.	d <sub>1</sub>	l <sub>1</sub>	d <sub>2</sub>	h <sub>1</sub>	h <sub>2</sub>	w <sub>1</sub>	Material	Grade	Finish	To standard
84N.080.0500.OAD	M 8	50	13.0	5.0	2.0	2.3	PA-6/66	Std	Natural	DIN 84
84N.080.0550.OAD	M 8	55	13.0	5.0	2.0	2.3	PA-6/66	Std	Natural	DIN 84
84N.080.0600.OA	M 8	60	13.0	5.0	2.0	2.3	PA-6/66	Std	Natural	-
84N.080.0600.OAD	M 8	60	13.0	5.0	2.0	2.3	PA-6/66	Std	Natural	DIN 84
84N.080.0650.OAD	M 8	65	13.0	5.0	2.0	2.3	PA-6/66	Std	Natural	DIN 84
84N.080.0700.OAD	M 8	70	13.0	5.0	2.0	2.3	PA-6/66	Std	Natural	DIN 84
84N.080.0750.OAD	M 8	75	13.0	5.0	2.0	2.3	PA-6/66	Std	Natural	DIN 84
84N.080.0800.OA	M 8	80	13.0	5.0	2.0	2.3	PA-6/66	Std	Natural	-
84N.080.0800.OAD	M 8	80	13.0	5.0	2.0	2.3	PA-6/66	Std	Natural	DIN 84
84N.080.0850.OAD	M 8	85	13.0	5.0	2.0	2.3	PA-6/66	Std	Natural	DIN 84
84N.080.0900.OAD	M 8	90	13.0	5.0	2.0	2.3	PA-6/66	Std	Natural	DIN 84
84N.080.0950.OAD	M 8	95	13.0	5.0	2.0	2.3	PA-6/66	Std	Natural	DIN 84
84N.080.1000.OAD	M 8	100	13.0	5.0	2.0	2.3	PA-6/66	Std	Natural	DIN 84
84N.080.1100.OAD	M 8	110	13.0	5.0	2.0	2.3	PA-6/66	Std	Natural	DIN 84
84N.080.1200.OAD	M 8	120	13.0	5.0	2.0	2.3	PA-6/66	Std	Natural	DIN 84
84N.080.1300.OAD	M 8	130	13.0	5.0	2.0	2.3	PA-6/66	Std	Natural	DIN 84
84N.100.0080.OAD	M10	8	16.0	6.0	2.4	2.5	PA-6/66	Std	Natural	DIN 84
84N.100.0100.OAD	M10	10	16.0	6.0	2.4	2.5	PA-6/66	Std	Natural	DIN 84
84N.100.0120.OAD	M10	12	16.0	6.0	2.4	2.5	PA-6/66	Std	Natural	DIN 84
84N.100.0150.OAD	M10	15	16.0	6.0	2.4	2.5	PA-6/66	Std	Natural	DIN 84
84N.100.0170.OAD	M10	17	16.0	6.0	2.4	2.5	PA-6/66	Std	Natural	DIN 84
84N.100.0160.OAD	M10	16	16.0	6.0	2.4	2.5	PA-6/66	Std	Natural	DIN 84
84N.100.0200.OAD	M10	20	16.0	6.0	2.4	2.5	PA-6/66	Std	Natural	DIN 84
84N.100.0250.OAD	M10	25	16.0	6.0	2.4	2.5	PA-6/66	Std	Natural	DIN 84
84N.100.0300.OAD	M10	30	16.0	6.0	2.4	2.5	PA-6/66	Std	Natural	DIN 84
84N.100.0350.OAD	M10	35	16.0	6.0	2.4	2.5	PA-6/66	Std	Natural	DIN 84
84N.100.0400.OA	M10	40	16.0	6.0	2.4	2.8	PA-6/66	Std	Natural	-
84N.100.0400.OAD	M10	40	16.0	6.0	2.4	2.5	PA-6/66	Std	Natural	DIN 84
84N.100.0450.OAD	M10	45	16.0	6.0	2.4	2.5	PA-6/66	Std	Natural	DIN 84
84N.100.0500.OAD	M10	50	16.0	6.0	2.4	2.5	PA-6/66	Std	Natural	DIN 84
84N.100.0550.OAD	M10	55	16.0	6.0	2.4	2.5	PA-6/66	Std	Natural	DIN 84
84N.100.0600.OAD	M10	60	16.0	6.0	2.4	2.5	PA-6/66	Std	Natural	DIN 84
84N.100.0650.OAD	M10	65	16.0	6.0	2.4	2.5	PA-6/66	Std	Natural	DIN 84
84N.100.0700.OAD	M10	70	16.0	6.0	2.4	2.5	PA-6/66	Std	Natural	DIN 84
84N.100.0750.OAD	M10	75	16.0	6.0	2.4	2.5	PA-6/66	Std	Natural	DIN 84
84N.100.0800.OA	M10	80	16.0	6.0	2.4	2.8	PA-6/66	Std	Natural	-
84N.100.0800.OAD	M10	80	16.0	6.0	2.4	2.5	PA-6/66	Std	Natural	DIN 84
84N.100.0850.OAD	M10	85	16.0	6.0	2.4	2.5	PA-6/66	Std	Natural	DIN 84
84N.100.0900.OAD	M10	90	16.0	6.0	2.4	2.5	PA-6/66	Std	Natural	DIN 84
84N.100.0950.OAD	M10	95	16.0	6.0	2.4	2.5	PA-6/66	Std	Natural	DIN 84
84N.100.1000.OAD	M10	100	16.0	6.0	2.4	2.5	PA-6/66	Std	Natural	DIN 84
84N.100.1100.OAD	M10	110	16.0	6.0	2.4	2.5	PA-6/66	Std	Natural	DIN 84
84N.100.1200.OAD	M10	120	16.0	6.0	2.4	2.5	PA-6/66	Std	Natural	DIN 84
84N.100.1300.OAD	M10	130	16.0	6.0	2.4	2.5	PA-6/66	Std	Natural	DIN 84
84N.120.1000.OAD	M12	100	18.0	7.0	2.4	2.5	PA-6/66	Std	Natural	DIN 84
84N.120.0100.OAD	M12	10	18.0	7.0	2.4	2.5	PA-6/66	Std	Natural	DIN 84
84N.120.0120.OAD	M12	12	18.0	7.0	2.4	2.5	PA-6/66	Std	Natural	DIN 84
84N.120.0150.OAD	M12	15	18.0	7.0	2.4	2.5	PA-6/66	Std	Natural	-
84N.120.0160.OAD	M12	16	18.0	7.0	2.4	2.5	PA-6/66	Std	Natural	DIN 84
84N.120.0200.OAD	M12	20	18.0	7.0	2.4	2.5	PA-6/66	Std	Natural	DIN 84
84N.120.0250.OAD	M12	25	18.0	7.0	2.4	2.5	PA-6/66	Std	Natural	DIN 84
84N.120.0300.OAD	M12	30	18.0	7.0	2.4	2.5	PA-6/66	Std	Natural	DIN 84
84N.120.0350.OAD	M12	35	18.0	7.0	2.4	2.5	PA-6/66	Std	Natural	DIN 84
84N.120.0400.OAD	M12	40	18.0	7.0	2.4	2.5	PA-6/66	Std	Natural	DIN 84
84N.120.0450.OAD	M12	45	18.0	7.0	2.4	2.5	PA-6/66	Std	Natural	DIN 84
84N.120.0500.OAD	M12	50	18.0	7.0	2.4	2.5	PA-6/66	Std	Natural	DIN 84
84N.120.0550.OAD	M12	55	18.0	7.0	2.4	2.5	PA-6/66	Std	Natural	DIN 84
84N.120.0600.OAD	M12	60	18.0	7.0	2.4	2.5	PA-6/66	Std	Natural	DIN 84
84N.120.0650.OAD	M12	65	18.0	7.0	2.4	2.5	PA-6/66	Std	Natural	DIN 84
84N.120.0700.OAD	M12	70	18.0	7.0	2.4	2.5	PA-6/66	Std	Natural	DIN 84
84N.120.0750.OAD	M12	75	18.0	7.0	2.4	2.5	PA-6/66	Std	Natural	DIN 84
84N.120.0800.OAD	M12	80	18.0	7.0	2.4	2.5	PA-6/66	Std	Natural	DIN 84
84N.120.0850.OAD	M12	85	18.0	7.0	2.4	2.5	PA-6/66	Std	Natural	DIN 84
84N.120.0900.OAD	M12	90	18.0	7.0	2.4	2.5	PA-6/66	Std	Natural	DIN 84
84N.120.0950.OAD	M12	95	18.0	7.0	2.4	2.5	PA-6/66	Std	Natural	DIN 84
84N.120.1100.OAD	M12	110	18.0	7.0	2.4	2.5	PA-6/66	Std	Natural	DIN 84
84N.120.1200.OAD	M12	120	18.0	7.0	2.4	2.5	PA-6/66	Std	Natural	DIN 84
84N.120.1300.OAD	M12	130	18.0	7.0	2.4	2.5	PA-6/66	Std	Natural	DIN 84



# Slot Pan Screw

## DIN 85

Nylon



**N0004.85N**

NYLON

### Material

Nylon PA-6/66 (Std - standard grade), natural.

### Technical Notes

DIN norms were created for metal parts, the dimensions of our plastic DIN equivalents are close to the norm but do not

follow the strict tolerances typically relevant to metal parts.

Many Nylon parts are available in dyed black, this subject to a minimum value and process charge, please contact us for further details.

Dyed black colour is not long term UV

stable. Nylon parts offer good electrical insulation, is resistant to corrosion and most dilute acids.

Nylon protects work surfaces and absorbs shocks and vibrations.

Order No.	d <sub>1</sub>	l <sub>1</sub>	d <sub>2</sub>	h <sub>1</sub>	h <sub>2</sub>	w <sub>1</sub>	Material	Grade	Finish	To standard
85N.020.0030.0A	M 2	3	3.7	1.1	0.5	0.5	PA-6/66	Std	Natural	-
85N.020.0040.0A	M 2	4	3.7	1.1	0.5	0.5	PA-6/66	Std	Natural	-
85N.020.0050.0A	M 2	5	3.7	1.1	0.5	0.5	PA-6/66	Std	Natural	-
85N.020.0060.0A	M 2	6	3.7	1.1	0.5	0.5	PA-6/66	Std	Natural	-
85N.020.0060.0B	M 2	6	3.7	1.1	0.5	0.5	PA-6/66	Std	Black	-
85N.020.0080.0A	M 2	8	3.7	1.1	0.5	0.5	PA-6/66	Std	Natural	-
85N.020.0100.0A	M 2	10	3.7	1.1	0.5	0.5	PA-6/66	Std	Natural	-
85N.020.0120.0A	M 2	12	3.7	1.1	0.5	0.5	PA-6/66	Std	Natural	-
85N.020.0160.0A	M 2	16	3.7	1.1	0.5	0.5	PA-6/66	Std	Natural	-
85N.020.0200.0A	M 2	20	3.7	1.1	0.5	0.5	PA-6/66	Std	Natural	-
85N.020.0250.0A	M 2	25	3.7	1.1	0.5	0.5	PA-6/66	Std	Natural	-
85N.025.0040.0A	M 2,5	4	4.7	1.3	0.6	0.6	PA-6/66	Std	Natural	-
85N.025.0050.0A	M 2,5	5	4.7	1.3	0.6	0.6	PA-6/66	Std	Natural	-
85N.025.0060.0A	M 2,5	6	4.7	1.3	0.6	0.6	PA-6/66	Std	Natural	-
85N.025.0080.0A	M 2,5	8	4.7	1.3	0.6	0.6	PA-6/66	Std	Natural	-
85N.025.0100.0A	M 2,5	10	4.7	1.3	0.6	0.6	PA-6/66	Std	Natural	-
85N.025.0120.0A	M 2,5	12	4.7	1.3	0.6	0.6	PA-6/66	Std	Natural	-
85N.025.0160.0A	M 2,5	16	4.7	1.3	0.6	0.6	PA-6/66	Std	Natural	-
85N.025.0200.0A	M 2,5	20	4.7	1.3	0.6	0.6	PA-6/66	Std	Natural	-
85N.025.0250.0A	M 2,5	25	4.7	1.3	0.6	0.6	PA-6/66	Std	Natural	-
85N.030.0040.0A	M 3	4	5.3	1.6	0.7	0.8	PA-6/66	Std	Natural	-
85N.030.0040.0B	M 3	4	5.3	1.6	0.7	0.8	PA-6/66	Std	Black	-
85N.030.0050.0A	M 3	5	5.3	1.6	0.7	0.8	PA-6/66	Std	Natural	-
85N.030.0050.0B	M 3	5	5.3	1.6	0.7	0.8	PA-6/66	Std	Black	-
85N.030.0060.0A	M 3	6	5.3	1.6	0.7	0.8	PA-6/66	Std	Natural	-
85N.030.0060.0B	M 3	6	5.3	1.6	0.7	0.8	PA-6/66	Std	Black	-
85N.030.0080.0A	M 3	8	5.3	1.6	0.7	0.8	PA-6/66	Std	Natural	-
85N.030.0080.0B	M 3	8	5.3	1.6	0.7	0.8	PA-6/66	Std	Black	-
85N.030.0100.0A	M 3	10	5.3	1.6	0.7	0.8	PA-6/66	Std	Natural	-
85N.030.0100.0B	M 3	10	5.3	1.6	0.7	0.8	PA-6/66	Std	Black	-
85N.030.0120.0A	M 3	12	5.3	1.6	0.7	0.8	PA-6/66	Std	Natural	-



Order No.	d <sub>1</sub>	l <sub>1</sub>	d <sub>2</sub>	h <sub>1</sub>	h <sub>2</sub>	w <sub>1</sub>	Material	Grade	Finish	To standard
85N.030.0120.OB	M 3	12	5.3	1.6	0.7	0.8	PA-6/66	Std	Black	-
85N.030.0160.OA	M 3	16	5.3	1.6	0.7	0.8	PA-6/66	Std	Natural	-
85N.030.0180.OA	M 3	18	5.3	1.6	0.7	0.8	PA-6/66	Std	Natural	-
85N.030.0200.OA	M 3	20	5.3	1.6	0.7	0.8	PA-6/66	Std	Natural	-
85N.030.0200.OB	M 3	20	5.3	1.6	0.7	0.8	PA-6/66	Std	Black	-
85N.030.0250.OA	M 3	25	5.3	1.6	0.7	0.8	PA-6/66	Std	Natural	-
85N.030.0300.OA	M 3	30	5.3	1.6	0.7	0.8	PA-6/66	Std	Natural	-
85N.030.0350.OA	M 3	35	5.3	1.6	0.7	0.8	PA-6/66	Std	Natural	-
85N.030.0420.OA	M 3	42	5.3	1.6	0.7	0.8	PA-6/66	Std	Natural	-
85N.035.0050.OA	M 3,5	5	6.6	1.9	0.8	1.0	PA-6/66	Std	Natural	-
85N.035.0060.OA	M 3,5	6	6.6	1.9	0.8	1.0	PA-6/66	Std	Natural	-
85N.035.0070.OA	M 3,5	7	6.6	1.9	0.8	1.0	PA-6/66	Std	Natural	-
85N.035.0080.OA	M 3,5	8	6.6	1.9	0.8	1.0	PA-6/66	Std	Natural	-
85N.035.0100.OA	M 3,5	10	6.6	1.9	0.8	1.0	PA-6/66	Std	Natural	-
85N.035.0120.OA	M 3,5	12	6.6	1.9	0.8	1.0	PA-6/66	Std	Natural	-
85N.035.0160.OA	M 3,5	16	6.6	1.9	0.8	1.0	PA-6/66	Std	Natural	-
85N.035.0160.OB	M 3,5	16	6.6	1.9	0.8	1.0	PA-6/66	Std	Black	-
85N.035.0200.OA	M 3,5	20	6.6	1.9	0.8	1.0	PA-6/66	Std	Natural	-
85N.035.0250.OA	M 3,5	25	6.6	1.9	0.8	1.0	PA-6/66	Std	Natural	-
85N.035.0350.OA	M 3,5	35	6.6	1.9	0.8	1.0	PA-6/66	Std	Natural	-
85N.035.0420.OA	M 3,5	42	6.6	1.9	0.8	1.0	PA-6/66	Std	Natural	-
85N.040.0030.OA	M 4	3	7.6	2.2	1.0	1.2	PA-6/66	Std	Natural	-
85N.040.0050.OA	M 4	5	7.6	2.2	1.0	1.2	PA-6/66	Std	Natural	-
85N.040.0050.OB	M 4	5	7.6	2.2	1.0	1.2	PA-6/66	Std	Natural	-
85N.040.0060.OA	M 4	6	7.6	2.2	1.0	1.2	PA-6/66	Std	Natural	-
85N.040.0080.OA	M 4	8	7.6	2.2	1.0	1.2	PA-6/66	Std	Natural	-
85N.040.0100.OA	M 4	10	7.6	2.2	1.0	1.2	PA-6/66	Std	Natural	-
85N.040.0120.OA	M 4	12	7.6	2.2	1.0	1.2	PA-6/66	Std	Natural	-
85N.040.0120.OB	M 4	12	7.6	2.2	1.0	1.2	PA-6/66	Std	Natural	-
85N.040.0160.OA	M 4	16	7.6	2.2	1.0	1.2	PA-6/66	Std	Natural	-
85N.040.0160.OB	M 4	16	7.6	2.2	1.0	1.2	PA-6/66	Std	Black	-
85N.040.0200.OA	M 4	20	7.6	2.2	1.0	1.2	PA-6/66	Std	Natural	-
85N.040.0200.OB	M 4	20	7.6	2.2	1.0	1.2	PA-6/66	Std	Black	-
85N.040.0250.OA	M 4	25	7.6	2.2	1.0	1.2	PA-6/66	Std	Natural	-
85N.040.0250.OB	M 4	25	7.6	2.2	1.0	1.2	PA-6/66	Std	Black	-
85N.040.0300.OA	M 4	30	7.6	2.2	1.0	1.2	PA-6/66	Std	Natural	-
85N.040.0350.OA	M 4	35	7.6	2.2	1.0	1.2	PA-6/66	Std	Natural	-
85N.040.0400.OA	M 4	40	7.6	2.2	1.0	1.2	PA-6/66	Std	Natural	-
85N.040.0400.OB	M 4	40	7.6	2.2	1.0	1.2	PA-6/66	Std	Black	-
85N.050.0060.OA	M 5	6	9.1	2.7	1.2	1.2	PA-6/66	Std	Natural	-
85N.050.0080.OA	M 5	8	9.1	2.7	1.2	1.2	PA-6/66	Std	Natural	-
85N.050.0100.OA	M 5	10	9.1	2.7	1.2	1.2	PA-6/66	Std	Natural	-
85N.050.0120.OA	M 5	12	9.1	2.7	1.2	1.2	PA-6/66	Std	Natural	-
85N.050.0120.OB	M 5	12	9.1	2.7	1.2	1.2	PA-6/66	Std	Natural	-
85N.050.0150.OA	M 5	15	9.1	2.7	1.2	1.2	PA-6/66	Std	Natural	-
85N.050.0160.OA	M 5	16	9.1	2.7	1.2	1.2	PA-6/66	Std	Natural	-
85N.050.0160.OB	M 5	16	9.1	2.7	1.2	1.2	PA-6/66	Std	Black	-
85N.050.0200.OA	M 5	20	9.1	2.7	1.2	1.2	PA-6/66	Std	Natural	-
85N.050.0200.OB	M 5	20	9.1	2.7	1.2	1.2	PA-6/66	Std	Black	-
85N.050.0250.OA	M 5	25	9.1	2.7	1.2	1.2	PA-6/66	Std	Natural	-
85N.050.0250.OB	M 5	25	9.1	2.7	1.2	1.2	PA-6/66	Std	Black	-
85N.050.0300.OA	M 5	30	9.1	2.7	1.2	1.2	PA-6/66	Std	Natural	-
85N.050.0300.OB	M 5	30	9.1	2.7	1.2	1.2	PA-6/66	Std	Black	-
85N.050.0350.OA	M 5	35	9.1	2.7	1.2	1.2	PA-6/66	Std	Natural	-
85N.050.0400.OA	M 5	40	9.1	2.7	1.2	1.2	PA-6/66	Std	Natural	-
85N.050.0450.OAD	M 5	45	9.1	2.7	1.2	1.2	PA-6/66	Std	Natural	DIN 85
85N.050.0500.OAD	M 5	50	9.1	2.7	1.2	1.2	PA-6/66	Std	Natural	DIN 85
85N.060.0050.OA	M 6	5	11.5	3.3	1.4	1.6	PA-6/66	Std	Natural	-
85N.060.0050.OB	M 6	5	11.5	3.3	1.4	1.6	PA-6/66	Std	Black	-
85N.060.0080.OA	M 6	8	11.5	3.3	1.4	1.6	PA-6/66	Std	Natural	-
85N.060.0100.OA	M 6	10	11.5	3.3	1.4	1.6	PA-6/66	Std	Natural	-
85N.060.0100.OB	M 6	10	11.5	3.3	1.4	1.6	PA-6/66	Std	Black	-
85N.060.0120.OA	M 6	12	11.5	3.3	1.4	1.6	PA-6/66	Std	Natural	-
85N.060.0120.OB	M 6	12	11.5	3.3	1.4	1.6	PA-6/66	Std	Black	-
85N.060.0160.OA	M 6	16	11.5	3.3	1.4	1.6	PA-6/66	Std	Natural	-
85N.060.0160.OB	M 6	16	11.5	3.3	1.4	1.6	PA-6/66	Std	Natural	-
85N.060.0200.OA	M 6	20	11.5	3.3	1.4	1.6	PA-6/66	Std	Natural	-
85N.060.0200.OB	M 6	20	11.5	3.3	1.4	1.6	PA-6/66	Std	Natural	-
85N.060.0220.OA	M 6	22	11.5	3.3	1.4	1.6	PA-6/66	Std	Natural	-

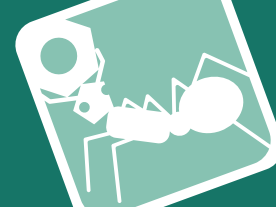


# Slot Pan Screw

## DIN 85

Nylon

Order No.	d <sub>1</sub>	l <sub>1</sub>	d <sub>2</sub>	h <sub>1</sub>	h <sub>2</sub>	w <sub>1</sub>	Material	Grade	Finish	To standard
85N.060.0250.OA	M 6	25	11.5	3.3	1.4	1.6	PA-6/66	Std	Natural	-
85N.060.0250.OB	M 6	25	11.5	3.3	1.4	1.6	PA-6/66	Std	Natural	-
85N.060.0300.OA	M 6	30	11.5	3.3	1.4	1.6	PA-6/66	Std	Natural	-
85N.060.0300.OB	M 6	30	11.5	3.3	1.4	1.6	PA-6/66	Std	Natural	-
85N.060.0350.OA	M 6	35	11.5	3.3	1.4	1.6	PA-6/66	Std	Natural	-
85N.060.0350.OB	M 6	35	11.5	3.3	1.4	1.6	PA-6/66	Std	Natural	-
85N.060.0400.OA	M 6	40	11.5	3.3	1.4	1.6	PA-6/66	Std	Natural	-
85N.060.0400.OB	M 6	40	11.5	3.3	1.4	1.6	PA-6/66	Std	Natural	-
85N.060.0450.OA	M 6	45	11.5	3.3	1.4	1.6	PA-6/66	Std	Natural	-
85N.060.0500.OA	M 6	50	11.5	3.3	1.4	1.6	PA-6/66	Std	Natural	-
85N.060.0500.OB	M 6	50	11.5	3.3	1.4	1.6	PA-6/66	Std	Natural	-
85N.060.0600.OA	M 6	60	11.5	3.3	1.4	1.6	PA-6/66	Std	Natural	-
85N.060.0700.OA	M 6	70	11.5	3.3	1.4	1.6	PA-6/66	Std	Natural	-
85N.060.0700.OB	M 6	70	11.5	3.3	1.4	1.6	PA-6/66	Std	Natural	-
85N.060.0750.OA	M 6	75	11.5	3.3	1.4	1.6	PA-6/66	Std	Natural	-
85N.080.0060.OAD	M 8	6	16.0	4.8	1.9	2.0	PA-6/66	Std	Natural	DIN 85
85N.080.0080.OAD	M 8	8	16.0	4.8	1.9	2.0	PA-6/66	Std	Natural	DIN 85
85N.080.0100.OAD	M 8	10	16.0	4.8	1.9	2.0	PA-6/66	Std	Natural	DIN 85
85N.080.0120.OAD	M 8	12	16.0	4.8	1.9	2.0	PA-6/66	Std	Natural	DIN 85
85N.080.0150.OAD	M 8	15	16.0	4.8	1.9	2.0	PA-6/66	Std	Natural	DIN 85
85N.080.0160.OAD	M 8	16	16.0	4.8	1.9	2.0	PA-6/66	Std	Natural	DIN 85
85N.080.0170.OAD	M 8	17	16.0	4.8	1.9	2.0	PA-6/66	Std	Natural	DIN 85
85N.080.0200.OAD	M 8	20	16.0	4.8	1.9	2.0	PA-6/66	Std	Natural	DIN 85
85N.080.0250.OAD	M 8	25	16.0	4.8	1.9	2.0	PA-6/66	Std	Natural	DIN 85
85N.080.0300.OAD	M 8	30	16.0	4.8	1.9	2.0	PA-6/66	Std	Natural	DIN 85
85N.080.0350.OAD	M 8	35	16.0	4.8	1.9	2.0	PA-6/66	Std	Natural	DIN 85
85N.080.0450.OAD	M 8	45	16.0	4.8	1.9	2.0	PA-6/66	Std	Natural	DIN 85
85N.080.0500.OAD	M 8	50	16.0	4.8	1.9	2.0	PA-6/66	Std	Natural	DIN 85
85N.080.0550.OAD	M 8	55	16.0	4.8	1.9	2.0	PA-6/66	Std	Natural	DIN 85
85N.080.0650.OAD	M 8	65	16.0	4.8	1.9	2.0	PA-6/66	Std	Natural	DIN 85
85N.080.0700.OAD	M 8	70	16.0	4.8	1.9	2.0	PA-6/66	Std	Natural	DIN 85
85N.080.0750.OAD	M 8	75	16.0	4.8	1.9	2.0	PA-6/66	Std	Natural	DIN 85
85N.080.0800.OAD	M 8	80	16.0	4.8	1.9	2.0	PA-6/66	Std	Natural	DIN 85
85N.080.0850.OAD	M 8	85	16.0	4.8	1.9	2.0	PA-6/66	Std	Natural	DIN 85
85N.080.0900.OAD	M 8	90	16.0	4.8	1.9	2.0	PA-6/66	Std	Natural	DIN 85
85N.080.0950.OAD	M 8	95	16.0	4.8	1.9	2.0	PA-6/66	Std	Natural	DIN 85
85N.080.1000.OAD	M 8	100	16.0	4.8	1.9	2.0	PA-6/66	Std	Natural	DIN 85
85N.080.1100.OAD	M 8	110	16.0	4.8	1.9	2.0	PA-6/66	Std	Natural	DIN 85
85N.080.1200.OAD	M 8	120	16.0	4.8	1.9	2.0	PA-6/66	Std	Natural	DIN 85
85N.080.1300.OAD	M 8	130	16.0	4.8	1.9	2.0	PA-6/66	Std	Natural	DIN 85
85N.100.0060.OAD	M10	6	20.0	6.0	2.4	2.5	PA-6/66	Std	Natural	DIN 85
85N.100.0080.OAD	M10	8	20.0	6.0	2.4	2.5	PA-6/66	Std	Natural	DIN 85
85N.100.0100.OAD	M10	10	20.0	6.0	2.4	2.5	PA-6/66	Std	Natural	DIN 85
85N.100.0120.OAD	M10	12	19.4	5.7	2.4	2.5	PA-6/66	Std	Natural	DIN 85
85N.100.0150.OAD	M10	15	20.0	6.0	2.4	2.5	PA-6/66	Std	Natural	DIN 85
85N.100.0160.OAD	M10	16	20.0	6.0	2.4	2.5	PA-6/66	Std	Natural	DIN 85
85N.100.0170.OAD	M10	17	20.0	6.0	2.4	2.5	PA-6/66	Std	Natural	DIN 85
85N.100.0200.OAD	M10	20	20.0	6.0	2.4	2.5	PA-6/66	Std	Natural	DIN 85
85N.100.0250.OAD	M10	25	20.0	6.0	2.4	2.5	PA-6/66	Std	Natural	DIN 85
85N.100.0300.OAD	M10	30	20.0	6.0	2.4	2.5	PA-6/66	Std	Natural	DIN 85
85N.100.0350.OAD	M10	35	20.0	6.0	2.4	2.5	PA-6/66	Std	Natural	DIN 85
85N.100.0400.OAD	M10	40	20.0	6.0	2.4	2.5	PA-6/66	Std	Natural	DIN 85
85N.100.0450.OAD	M10	45	20.0	6.0	2.4	2.5	PA-6/66	Std	Natural	DIN 85
85N.100.0500.OAD	M10	50	20.0	6.0	2.4	2.5	PA-6/66	Std	Natural	DIN 85
85N.100.0550.OAD	M10	55	20.0	6.0	2.4	2.5	PA-6/66	Std	Natural	DIN 85
85N.100.0600.OAD	M10	60	20.0	6.0	2.4	2.5	PA-6/66	Std	Natural	DIN 85
85N.100.0650.OAD	M10	65	20.0	6.0	2.4	2.5	PA-6/66	Std	Natural	DIN 85
85N.100.0700.OAD	M10	70	20.0	6.0	2.4	2.5	PA-6/66	Std	Natural	DIN 85
85N.100.0750.OAD	M10	75	20.0	6.0	2.4	2.5	PA-6/66	Std	Natural	DIN 85
85N.100.0800.OAD	M10	80	20.0	6.0	2.4	2.5	PA-6/66	Std	Natural	DIN 85
85N.100.0850.OAD	M10	85	20.0	6.0	2.4	2.5	PA-6/66	Std	Natural	DIN 85
85N.100.0900.OAD	M10	90	20.0	6.0	2.4	2.5	PA-6/66	Std	Natural	DIN 85
85N.100.0950.OAD	M10	95	20.0	6.0	2.4	2.5	PA-6/66	Std	Natural	DIN 85
85N.100.1000.OAD	M10	100	20.0	6.0	2.4	2.5	PA-6/66	Std	Natural	DIN 85
85N.100.1100.OAD	M10	110	20.0	6.0	2.4	2.5	PA-6/66	Std	Natural	DIN 85
85N.100.1200.OAD	M10	120	20.0	6.0	2.4	2.5	PA-6/66	Std	Natural	DIN 85
85N.100.1300.OAD	M10	130	20.0	6.0	2.4	2.5	PA-6/66	Std	Natural	DIN 85
85N.120.0100.OAD	M12	10	20.0	6.0	2.4	2.5	PA-6/66	Std	Natural	DIN 85
85N.120.0120.OAD	M12	12	20.0	6.0	2.4	2.5	PA-6/66	Std	Natural	DIN 85



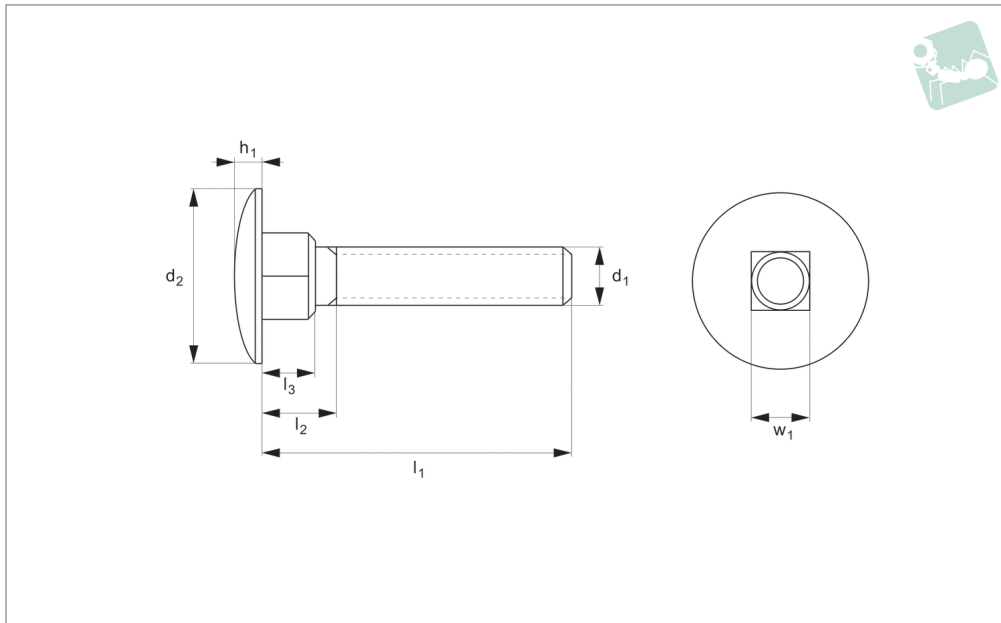
Order No.	d <sub>1</sub>	l <sub>1</sub>	d <sub>2</sub>	h <sub>1</sub>	h <sub>2</sub>	w <sub>1</sub>	Material	Grade	Finish	To standard
<b>85N.120.0160.0AD</b>	M12	16	20.0	6.0	2.4	2.5	PA-6/66	Std	Natural	DIN 85
<b>85N.120.0200.0AD</b>	M12	20	20.0	6.0	2.4	2.5	PA-6/66	Std	Natural	DIN 85
<b>85N.120.0250.0AD</b>	M12	25	20.0	6.0	2.4	2.5	PA-6/66	Std	Natural	DIN 85
<b>85N.120.0300.0AD</b>	M12	30	20.0	6.0	2.4	2.5	PA-6/66	Std	Natural	DIN 85
<b>85N.120.0350.0AD</b>	M12	35	20.0	6.0	2.4	2.5	PA-6/66	Std	Natural	DIN 85
<b>85N.120.0400.0AD</b>	M12	40	20.0	6.0	2.4	2.5	PA-6/66	Std	Natural	DIN 85
<b>85N.120.0450.0AD</b>	M12	45	20.0	6.0	2.4	2.5	PA-6/66	Std	Natural	DIN 85
<b>85N.120.0500.0AD</b>	M12	50	20.0	6.0	2.4	2.5	PA-6/66	Std	Natural	DIN 85
<b>85N.120.0550.0AD</b>	M12	55	20.0	6.0	2.4	2.5	PA-6/66	Std	Natural	DIN 85
<b>85N.120.0600.0AD</b>	M12	60	20.0	6.0	2.4	2.5	PA-6/66	Std	Natural	DIN 85
<b>85N.120.0650.0AD</b>	M12	65	20.0	6.0	2.4	2.5	PA-6/66	Std	Natural	DIN 85
<b>85N.120.0700.0AD</b>	M12	70	20.0	6.0	2.4	2.5	PA-6/66	Std	Natural	DIN 85
<b>85N.120.0750.0AD</b>	M12	75	20.0	6.0	2.4	2.5	PA-6/66	Std	Natural	DIN 85
<b>85N.120.0800.0AD</b>	M12	80	20.0	6.0	2.4	2.5	PA-6/66	Std	Natural	DIN 85
<b>85N.120.0850.0AD</b>	M12	85	20.0	6.0	2.4	2.5	PA-6/66	Std	Natural	DIN 85
<b>85N.120.0900.0AD</b>	M12	90	20.0	6.0	2.4	2.5	PA-6/66	Std	Natural	DIN 85
<b>85N.120.0950.0AD</b>	M12	95	20.0	6.0	2.4	2.5	PA-6/66	Std	Natural	DIN 85
<b>85N.120.1000.0AD</b>	M12	100	20.0	6.0	2.4	2.5	PA-6/66	Std	Natural	DIN 85
<b>85N.120.1100.0AD</b>	M12	110	20.0	6.0	2.4	2.5	PA-6/66	Std	Natural	DIN 85
<b>85N.120.1200.0AD</b>	M12	120	20.0	6.0	2.4	2.5	PA-6/66	Std	Natural	DIN 85
<b>85N.120.1300.0AD</b>	M12	130	20.0	6.0	2.4	2.5	PA-6/66	Std	Natural	DIN 85





# Carriage Bolts DIN 603

Nylon



**N0050.61N**

NYLON

### Material

Nylon 66 (PA 6/66), standard. Natural.

### Technical Notes

DIN norms were created for metal parts, the dimensions of our plastic DIN equivalents are close to the norm but do not

follow the strict tolerances typically relevant to metal parts.

Many Nylon parts are available in dyed black, this subject to a minimum value and process charge, please contact us for further details.

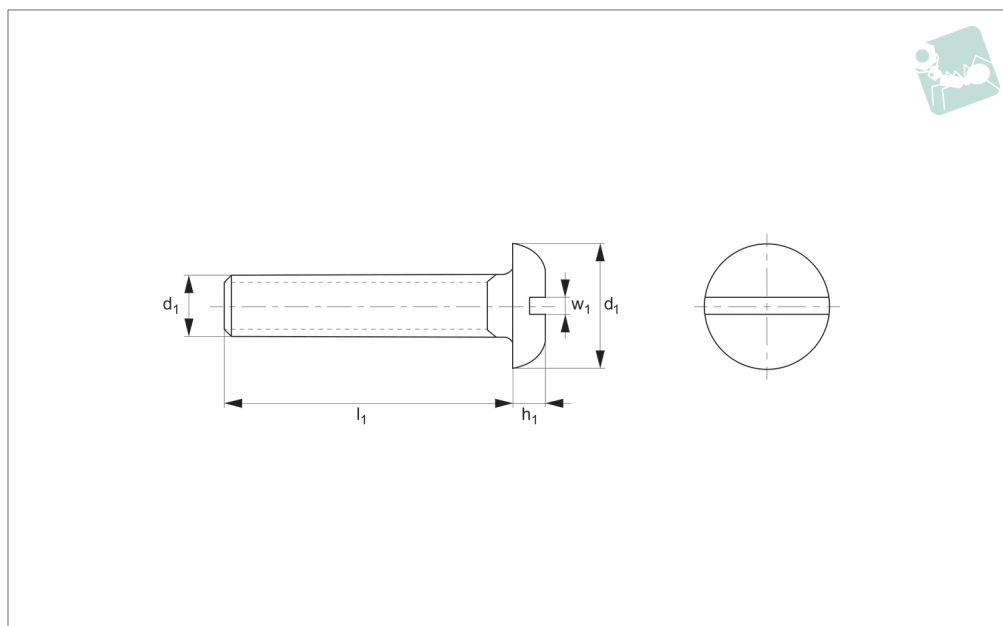
Dyed black colour is not long term UV stable. Nylon parts offer good electrical insulation, is resistant to corrosion and most dilute acids.

Nylon protects work surfaces and absorbs shocks and vibrations.

Order No.	d <sub>1</sub>	l <sub>1</sub>	d <sub>2</sub>	h	l <sub>2</sub>	w	Material	Grade	Finish	To standard
61N.050.0160.0AD	M 5	16	3.5	3.3	13	5	PA-6/66	Std.	Natural	DIN 603
61N.050.0180.0AD	M 5	18	3.5	3.3	13	5	PA-6/66	Std.	Natural	DIN 603
61N.050.0200.0AD	M 5	20	3.5	3.3	13	5	PA-6/66	Std.	Natural	DIN 603
61N.050.0260.0AD	M 5	26	3.5	3.3	13	5	PA-6/66	Std.	Natural	DIN 603
61N.050.0300.0AD	M 5	30	3.5	3.3	13	5	PA-6/66	Std.	Natural	DIN 603
61N.050.0350.0AD	M 5	35	3.5	3.3	13	5	PA-6/66	Std.	Natural	DIN 603
61N.050.0400.0AD	M 5	40	3.5	3.3	13	5	PA-6/66	Std.	Natural	DIN 603
61N.050.0450.0AD	M 5	45	3.5	3.3	13	5	PA-6/66	Std.	Natural	DIN 603
61N.050.0500.0AD	M 5	50	3.5	3.3	13	5	PA-6/66	Std.	Natural	DIN 603
61N.050.0550.0AD	M 5	55	3.5	3.3	13	5	PA-6/66	Std.	Natural	DIN 603
61N.050.0600.0AD	M 5	60	3.5	3.3	13	5	PA-6/66	Std.	Natural	DIN 603
61N.050.0700.0AD	M 5	70	3.5	3.3	13	5	PA-6/66	Std.	Natural	DIN 603
61N.050.0800.0AD	M 5	80	3.5	3.3	13	5	PA-6/66	Std.	Natural	DIN 603
61N.060.0160.0AD	M 6	16	4.0	3.8	16	6	PA-6/66	Std.	Natural	DIN 603
61N.060.0180.0AD	M 6	18	4.0	3.8	16	6	PA-6/66	Std.	Natural	DIN 603
61N.060.0200.0AD	M 6	20	4.0	3.8	16	6	PA-6/66	Std.	Natural	DIN 603
61N.060.0260.0AD	M 6	26	4.0	3.8	16	6	PA-6/66	Std.	Natural	DIN 603
61N.060.0300.0AD	M 6	30	4.0	3.8	16	6	PA-6/66	Std.	Natural	DIN 603
61N.060.0350.0AD	M 6	35	4.0	3.8	16	6	PA-6/66	Std.	Natural	DIN 603
61N.060.0400.0AD	M 6	40	4.0	3.8	16	6	PA-6/66	Std.	Natural	DIN 603
61N.060.0450.0AD	M 6	45	4.0	3.8	16	6	PA-6/66	Std.	Natural	DIN 603
61N.060.0500.0AD	M 6	50	4.0	3.8	16	6	PA-6/66	Std.	Natural	DIN 603
61N.060.0550.0AD	M 6	55	4.0	3.8	16	6	PA-6/66	Std.	Natural	DIN 603
61N.060.0600.0AD	M 6	60	4.0	3.8	16	6	PA-6/66	Std.	Natural	DIN 603
61N.060.0700.0AD	M 6	70	4.0	3.8	16	6	PA-6/66	Std.	Natural	DIN 603
61N.060.0800.0AD	M 6	80	4.0	3.8	16	6	PA-6/66	Std.	Natural	DIN 603
61N.060.0900.0AD	M 6	90	4.0	3.8	16	6	PA-6/66	Std.	Natural	DIN 603
61N.080.0160.0AD	M 8	16	4.5	4.8	20	8	PA-6/66	Std.	Natural	DIN 603
61N.080.0180.0AD	M 8	18	4.5	4.8	20	8	PA-6/66	Std.	Natural	DIN 603
61N.080.0200.0AD	M 8	20	4.5	4.8	20	8	PA-6/66	Std.	Natural	DIN 603
61N.080.0260.0AD	M 8	26	4.5	4.8	20	8	PA-6/66	Std.	Natural	DIN 603
61N.080.0300.0AD	M 8	30	4.5	4.8	20	8	PA-6/66	Std.	Natural	DIN 603



Order No.	d <sub>1</sub>	l <sub>1</sub>	d <sub>2</sub>	h	l <sub>2</sub>	w	Material	Grade	Finish	To standard
61N.080.0350.OAD	M 8	35	4.5	4.8	20	8	PA-6/66	Std.	Natural	DIN 603
61N.080.0400.OAD	M 8	40	4.5	4.8	20	8	PA-6/66	Std.	Natural	DIN 603
61N.080.0450.OAD	M 8	45	4.5	4.8	20	8	PA-6/66	Std.	Natural	DIN 603
61N.080.0500.OAD	M 8	50	4.5	4.8	20	8	PA-6/66	Std.	Natural	DIN 603
61N.080.0550.OAD	M 8	55	4.5	4.8	20	8	PA-6/66	Std.	Natural	DIN 603
61N.080.0600.OAD	M 8	60	4.5	4.8	20	8	PA-6/66	Std.	Natural	DIN 603
61N.080.0700.OAD	M 8	70	4.5	4.8	20	8	PA-6/66	Std.	Natural	DIN 603
61N.080.0800.OAD	M 8	80	4.5	4.8	20	8	PA-6/66	Std.	Natural	DIN 603
61N.080.0900.OAD	M 8	90	4.5	4.8	20	8	PA-6/66	Std.	Natural	DIN 603
61N.100.0160.OAD	M10	16	4.5	5.3	20	8	PA-6/66	Std.	Natural	DIN 603
61N.100.0180.OAD	M10	18	5.0	5.3	24	10	PA-6/66	Std.	Natural	DIN 603
61N.100.0200.OAD	M10	20	5.0	5.3	24	10	PA-6/66	Std.	Natural	DIN 603
61N.100.0260.OAD	M10	26	5.0	5.3	24	10	PA-6/66	Std.	Natural	DIN 603
61N.100.0300.OAD	M10	30	5.0	5.3	24	10	PA-6/66	Std.	Natural	DIN 603
61N.100.0350.OAD	M10	35	5.0	5.3	24	10	PA-6/66	Std.	Natural	DIN 603
61N.100.0400.OAD	M10	40	5.0	5.3	24	10	PA-6/66	Std.	Natural	DIN 603
61N.100.0450.OAD	M10	45	5.0	5.3	24	10	PA-6/66	Std.	Natural	DIN 603
61N.100.0500.OAD	M10	50	5.0	5.3	24	10	PA-6/66	Std.	Natural	DIN 603
61N.100.0550.OAD	M10	55	5.0	5.3	24	10	PA-6/66	Std.	Natural	DIN 603
61N.100.0600.OAD	M10	60	5.0	5.3	24	10	PA-6/66	Std.	Natural	DIN 603
61N.100.0700.OAD	M10	70	5.0	5.3	24	10	PA-6/66	Std.	Natural	DIN 603
61N.100.0800.OAD	M10	80	5.0	5.3	24	10	PA-6/66	Std.	Natural	DIN 603
61N.100.0900.OAD	M10	90	5.0	5.3	24	10	PA-6/66	Std.	Natural	DIN 603
61N.120.0200.OAD	M12	20	7.5	6.9	30	12	PA-6/66	Std.	Natural	DIN 603
61N.120.0260.OAD	M12	26	7.5	6.9	30	12	PA-6/66	Std.	Natural	DIN 603
61N.120.0300.OAD	M12	30	7.5	6.9	30	12	PA-6/66	Std.	Natural	DIN 603
61N.120.0350.OAD	M12	35	7.5	6.9	30	12	PA-6/66	Std.	Natural	DIN 603
61N.120.0400.OAD	M12	40	7.5	6.9	30	12	PA-6/66	Std.	Natural	DIN 603
61N.120.0450.OAD	M12	45	7.5	6.9	30	12	PA-6/66	Std.	Natural	DIN 603
61N.120.0500.OAD	M12	50	7.5	6.9	30	12	PA-6/66	Std.	Natural	DIN 603
61N.120.0550.OAD	M12	55	7.5	6.9	30	12	PA-6/66	Std.	Natural	DIN 603
61N.120.0600.OAD	M12	60	7.5	6.9	30	12	PA-6/66	Std.	Natural	DIN 603
61N.120.0700.OAD	M12	70	7.5	6.9	30	12	PA-6/66	Std.	Natural	DIN 603
61N.120.0800.OAD	M12	80	7.5	6.9	30	12	PA-6/66	Std.	Natural	DIN 603
61N.120.0900.OAD	M12	90	7.5	6.9	30	12	PA-6/66	Std.	Natural	DIN 603



**N0053.73N**

NYLON

### Material

Nylon 66 (PA 6/66), standard, natural.

### Technical Notes

DIN norms were created for metal parts, the dimensions of our plastic DIN equivalents are close to the norm but do not

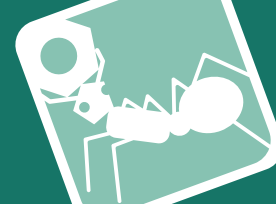
follow the strict tolerances typically relevant to metal parts.

Many Nylon parts are available in dyed black, this subject to a minimum value and process charge, please contact us for further details.

Dyed black colour is not long term UV stable. Nylon parts offer good electrical insulation, is resistant to corrosion and most dilute acids.

Nylon protects work surfaces and absorbs shocks and vibrations.

Order No.	Head type	d <sub>1</sub>	l <sub>1</sub>	d <sub>2</sub> max.	h <sub>1</sub> max.	w <sub>1</sub> nom.	Material	Grade	Finish
73N.040.0060.0AD	Standard	M 4	6	10.0	2.2	1.2	PA-6/66	Std.	Natural
73N.040.0080.0AD	Standard	M 4	8	10.0	2.2	1.2	PA-6/66	Std.	Natural
73N.040.0100.0AD	Standard	M 4	10	10.0	2.2	1.2	PA-6/66	Std.	Natural
73N.040.0120.0AD	Standard	M 4	12	10.0	2.2	1.2	PA-6/66	Std.	Natural
73N.040.0160.0AD	Standard	M 4	16	10.0	2.2	1.2	PA-6/66	Std.	Natural
73N.040.0200.0AD	Standard	M 4	20	10.0	2.2	1.2	PA-6/66	Std.	Natural
73N.040.0250.0AD	Standard	M 4	25	10.0	2.2	1.2	PA-6/66	Std.	Natural
73N.050.0060.0AD	Standard	M 5	6	12.5	2.7	1.2	PA-6/66	Std.	Natural
73N.050.0080.0AD	Standard	M 5	8	12.5	2.7	1.2	PA-6/66	Std.	Natural
73N.050.0100.0AD	Standard	M 5	10	12.5	2.7	1.2	PA-6/66	Std.	Natural
73N.050.0120.0AD	Standard	M 5	12	12.5	2.7	1.2	PA-6/66	Std.	Natural
73N.050.0150.0AD	Standard	M 5	15	12.5	2.7	1.2	PA-6/66	Std.	Natural
73N.050.0160.0AD	Standard	M 5	16	12.5	2.7	1.2	PA-6/66	Std.	Natural
73N.050.0170.0AD	Standard	M 5	17	12.5	2.7	1.2	PA-6/66	Std.	Natural
73N.050.0200.0AD	Standard	M 5	20	12.5	2.7	1.2	PA-6/66	Std.	Natural
73N.050.0250.0AD	Standard	M 5	20	12.5	2.7	1.2	PA-6/66	Std.	Natural
73N.050.0300.0AD	Standard	M 5	30	12.5	2.7	1.2	PA-6/66	Std.	Natural
73N.050.0350.0AD	Standard	M 5	35	12.5	2.7	1.2	PA-6/66	Std.	Natural
73N.050.0400.0AD	Standard	M 5	40	12.5	2.7	1.2	PA-6/66	Std.	Natural
73N.050.0450.0AD	Standard	M 5	45	12.5	2.7	1.2	PA-6/66	Std.	Natural
73N.050.0500.0AD	Standard	M 5	50	12.5	2.7	1.2	PA-6/66	Std.	Natural
73N.050.0550.0AD	Standard	M 5	55	12.5	2.7	1.2	PA-6/66	Std.	Natural
73N.050.0600.0AD	Standard	M 5	60	12.5	2.7	1.2	PA-6/66	Std.	Natural
73N.050.0650.0AD	Standard	M 5	65	12.5	2.7	1.2	PA-6/66	Std.	Natural
73N.050.0700.0AD	Standard	M 5	70	12.5	2.7	1.2	PA-6/66	Std.	Natural
73N.060.0060.0AD	Standard	M 6	6	15.0	3.3	1.6	PA-6/66	Std.	Natural
73N.060.0080.0AD	Standard	M 6	8	15.0	3.3	1.6	PA-6/66	Std.	Natural
73N.060.0100.0AD	Standard	M 6	10	15.0	3.3	1.6	PA-6/66	Std.	Natural
73N.060.0120.0AD	Standard	M 6	12	15.0	3.3	1.6	PA-6/66	Std.	Natural
73N.060.0150.0AD	Standard	M 6	15	15.0	3.3	1.6	PA-6/66	Std.	Natural
73N.060.0160.0AD	Standard	M 6	16	15.0	3.3	1.6	PA-6/66	Std.	Natural



Order No.	Head type	d <sub>1</sub>	l <sub>1</sub>	d <sub>2</sub> max.	h <sub>1</sub> max.	w <sub>1</sub> nom.	Material	Grade	Finish
73N.060.0170.OAD	Standard	M 6	17	15.0	3.3	1.6	PA-6/66	Std.	Natural
73N.060.0200.OAD	Standard	M 6	20	15.0	3.3	1.6	PA-6/66	Std.	Natural
73N.060.0250.OAD	Standard	M 6	25	15.0	3.3	1.6	PA-6/66	Std.	Natural
73N.060.0300.OAD	Standard	M 6	30	15.0	3.3	1.6	PA-6/66	Std.	Natural
73N.060.0350.OAD	Standard	M 6	35	15.0	3.3	1.6	PA-6/66	Std.	Natural
73N.060.0400.OAD	Standard	M 6	40	15.0	3.3	1.6	PA-6/66	Std.	Natural
73N.060.0450.OAD	Standard	M 6	45	15.0	3.3	1.6	PA-6/66	Std.	Natural
73N.060.0500.OAD	Standard	M 6	50	15.0	3.3	1.6	PA-6/66	Std.	Natural
73N.060.0550.OAD	Standard	M 6	55	15.0	3.3	1.6	PA-6/66	Std.	Natural
73N.060.0600.OAD	Standard	M 6	60	15.0	3.3	1.6	PA-6/66	Std.	Natural
73N.060.0650.OAD	Standard	M 6	65	15.0	3.3	1.6	PA-6/66	Std.	Natural
73N.060.0700.OAD	Standard	M 6	70	15.0	3.3	1.6	PA-6/66	Std.	Natural
73N.060.0750.OAD	Standard	M 6	75	15.0	3.3	1.6	PA-6/66	Std.	Natural
73N.060.0800.OAD	Standard	M 6	80	15.0	3.3	1.6	PA-6/66	Std.	Natural
73N.080.0060.OAD	Shallow	M 8	6	-	-	-	PA-6/66	Std.	Natural
73N.080.0080.OAD	Shallow	M 8	8	-	-	-	PA-6/66	Std.	Natural
73N.080.0100.OAD	Shallow	M 8	10	-	-	-	PA-6/66	Std.	Natural
73N.080.0120.OAD	Shallow	M 8	12	-	-	-	PA-6/66	Std.	Natural
73N.080.0160.OAD	Shallow	M 8	16	-	-	-	PA-6/66	Std.	Natural
73N.080.0160.OAB	Shallow	M 8	16	-	-	-	PA-6/66	Std.	Natural
73N.080.0200.OAD	Shallow	M 8	20	-	-	-	PA-6/66	Std.	Natural
73N.080.0250.OAD	Shallow	M 8	25	-	-	-	PA-6/66	Std.	Natural
73N.080.0300.OAD	Shallow	M 8	30	-	-	-	PA-6/66	Std.	Natural
73N.080.0350.OAD	Shallow	M 8	35	-	-	-	PA-6/66	Std.	Natural
73N.080.0400.OAD	Shallow	M 8	40	-	-	-	PA-6/66	Std.	Natural
73N.080.0450.OAD	Shallow	M 8	45	-	-	-	PA-6/66	Std.	Natural
73N.080.0500.OAD	Shallow	M 8	50	-	-	-	PA-6/66	Std.	Natural
73N.080.0600.OAD	Shallow	M 8	60	-	-	-	PA-6/66	Std.	Natural
73N.080.0700.OAD	Shallow	M 8	70	-	-	-	PA-6/66	Std.	Natural
73N.080.0750.OAD	Shallow	M 8	75	-	-	-	PA-6/66	Std.	Natural
73N.080.0800.OAD	Shallow	M 8	80	-	-	-	PA-6/66	Std.	Natural
73N.080.0850.OAD	Shallow	M 8	85	-	-	-	PA-6/66	Std.	Natural
73N.080.0900.OAD	Shallow	M 8	90	-	-	-	PA-6/66	Std.	Natural
73N.080.0950.OAD	Shallow	M 8	95	-	-	-	PA-6/66	Std.	Natural
73N.080.1000.OAD	Shallow	M 8	100	-	-	-	PA-6/66	Std.	Natural
73N.080.1100.OAD	Shallow	M 8	110	-	-	-	PA-6/66	Std.	Natural
73N.080.1200.OAD	Shallow	M 8	120	-	-	-	PA-6/66	Std.	Natural
73N.080.1300.OAD	Shallow	M 8	130	-	-	-	PA-6/66	Std.	Natural
73N.100.0060.OAD	Shallow	M10	6	-	-	-	PA-6/66	Std.	Natural
73N.100.0080.OAD	Shallow	M10	8	-	-	-	PA-6/66	Std.	Natural
73N.100.0100.OAD	Shallow	M10	10	-	-	-	PA-6/66	Std.	Natural
73N.100.0120.OAD	Shallow	M10	12	-	-	-	PA-6/66	Std.	Natural
73N.100.0160.OAD	Shallow	M10	16	-	-	-	PA-6/66	Std.	Natural
73N.100.0200.OAD	Shallow	M10	20	-	-	-	PA-6/66	Std.	Natural
73N.100.0250.OAD	Shallow	M10	25	-	-	-	PA-6/66	Std.	Natural
73N.100.0300.OAD	Shallow	M10	30	-	-	-	PA-6/66	Std.	Natural
73N.100.0350.OAD	Shallow	M10	35	-	-	-	PA-6/66	Std.	Natural
73N.100.0400.OAD	Shallow	M10	40	-	-	-	PA-6/66	Std.	Natural
73N.100.0450.OAD	Shallow	M10	45	-	-	-	PA-6/66	Std.	Natural
73N.100.0500.OAD	Shallow	M10	50	-	-	-	PA-6/66	Std.	Natural
73N.100.0600.OAD	Shallow	M10	60	-	-	-	PA-6/66	Std.	Natural
73N.100.0700.OAD	Shallow	M10	70	-	-	-	PA-6/66	Std.	Natural
73N.100.0750.OAD	Shallow	M10	75	-	-	-	PA-6/66	Std.	Natural
73N.100.0800.OAD	Shallow	M10	80	-	-	-	PA-6/66	Std.	Natural
73N.100.0850.OAD	Shallow	M10	85	-	-	-	PA-6/66	Std.	Natural
73N.100.0900.OAD	Shallow	M10	90	-	-	-	PA-6/66	Std.	Natural
73N.100.0950.OAD	Shallow	M10	95	-	-	-	PA-6/66	Std.	Natural
73N.100.1000.OAD	Shallow	M10	100	-	-	-	PA-6/66	Std.	Natural
73N.100.1100.OAD	Shallow	M10	110	-	-	-	PA-6/66	Std.	Natural
73N.100.1200.OAD	Shallow	M10	120	-	-	-	PA-6/66	Std.	Natural
73N.100.1300.OAD	Shallow	M10	130	-	-	-	PA-6/66	Std.	Natural
73N.120.0100.OAD	Shallow	M12	10	-	-	-	PA-6/66	Std.	Natural
73N.120.0120.OAD	Shallow	M12	12	-	-	-	PA-6/66	Std.	Natural
73N.120.0160.OAD	Shallow	M12	16	-	-	-	PA-6/66	Std.	Natural
73N.120.0200.OAD	Shallow	M12	20	-	-	-	PA-6/66	Std.	Natural
73N.120.0250.OAD	Shallow	M12	25	-	-	-	PA-6/66	Std.	Natural
73N.120.0300.OAD	Shallow	M12	30	-	-	-	PA-6/66	Std.	Natural
73N.120.0350.OAD	Shallow	M12	35	-	-	-	PA-6/66	Std.	Natural

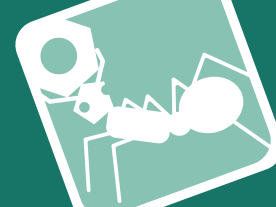


# Slot Mushroom Machine Screws

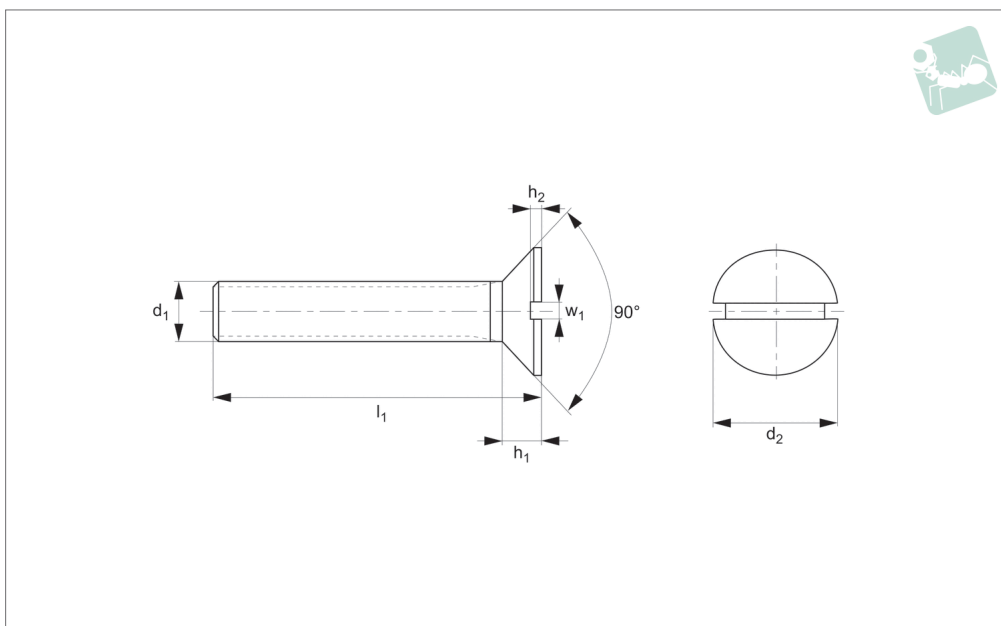
Nylon

Order No.	Head type	d <sub>1</sub>	l <sub>1</sub>	d <sub>2</sub> max.	h <sub>1</sub> max.	w <sub>1</sub> nom.	Material	Grade	Finish
<b>73N.120.0400.0AD</b>	Shallow	M12	40	-	-	-	PA-6/66	Std.	Natural
<b>73N.120.0450.0AD</b>	Shallow	M12	45	-	-	-	PA-6/66	Std.	Natural
<b>73N.120.0500.0AD</b>	Shallow	M12	50	-	-	-	PA-6/66	Std.	Natural
<b>73N.120.0600.0AD</b>	Shallow	M12	60	-	-	-	PA-6/66	Std.	Natural
<b>73N.120.0700.0AD</b>	Shallow	M12	70	-	-	-	PA-6/66	Std.	Natural
<b>73N.120.0750.0AD</b>	Shallow	M12	75	-	-	-	PA-6/66	Std.	Natural
<b>73N.120.0800.0AD</b>	Shallow	M12	80	-	-	-	PA-6/66	Std.	Natural
<b>73N.120.0850.0AD</b>	Shallow	M12	85	-	-	-	PA-6/66	Std.	Natural
<b>73N.120.0900.0AD</b>	Shallow	M12	90	-	-	-	PA-6/66	Std.	Natural
<b>73N.120.0950.0AD</b>	Shallow	M12	95	-	-	-	PA-6/66	Std.	Natural
<b>73N.120.1000.0AD</b>	Shallow	M12	100	-	-	-	PA-6/66	Std.	Natural
<b>73N.120.1100.0AD</b>	Shallow	M12	110	-	-	-	PA-6/66	Std.	Natural
<b>73N.120.1200.0AD</b>	Shallow	M12	120	-	-	-	PA-6/66	Std.	Natural
<b>73N.120.1300.0AD</b>	Shallow	M12	130	-	-	-	PA-6/66	Std.	Natural

NYLON



**N0013.11N**



#### Material

Nylon 66 (PA 6/66), standard. Natural or black.

#### Technical Notes

DIN norms were created for metal parts, the dimensions of our plastic DIN equivalents are close to the norm but do not

follow the strict tolerances typically relevant to metal parts.

Many Nylon parts are available in dyed black, this subject to a minimum value and process charge, please contact us for further details.

Dyed black colour is not long term UV

stable. Nylon parts offer good electrical insulation, is resistant to corrosion and most dilute acids.

Nylon protects work surfaces and absorbs shocks and vibrations.

Order No.	d <sub>1</sub>	l <sub>1</sub>	d <sub>2</sub>	h <sub>1</sub>	h <sub>2</sub>	w <sub>1</sub>	Material	Grade	Finish	To standard
11N.020.0040.OA	M 2	4	4.4	1.2	0.4	0.5	PA 6/66	Std	Natural	-
11N.020.0050.OA	M 2	5	4.4	1.2	0.4	0.5	PA 6/66	Std	Natural	-
11N.020.0060.OA	M 2	6	4.4	1.2	0.4	0.5	PA 6/66	Std	Natural	-
11N.020.0080.OA	M 2	8	4.4	1.2	0.4	0.5	PA 6/66	Std	Natural	-
11N.020.0080.OB	M 2	8	4.4	1.2	0.4	0.5	PA 6/66	Std	Black	-
11N.020.0100.OA	M 2	10	4.4	1.2	0.4	0.5	PA 6/66	Std	Natural	-
11N.020.0110.OA	M 2	11	4.4	1.2	0.4	0.5	PA 6/66	Std	Natural	-
11N.020.0120.OA	M 2	12	4.4	1.2	0.4	0.5	PA 6/66	Std	Natural	-
11N.020.0160.OA	M 2	16	4.4	1.2	0.4	0.5	PA 6/66	Std	Natural	-
11N.020.0200.OA	M 2	20	4.4	1.2	0.4	0.5	PA 6/66	Std	Natural	-
11N.020.0250.OA	M 2	25	4.4	1.2	0.4	0.5	PA 6/66	Std	Natural	-
11N.025.0040.OA	M2,5	4	5.5	1.5	0.5	0.5	PA 6/66	Std	Natural	-
11N.025.0050.OA	M2,5	5	5.5	1.5	0.5	0.5	PA 6/66	Std	Natural	-
11N.025.0060.OA	M2,5	6	5.5	1.5	0.5	0.5	PA 6/66	Std	Natural	-
11N.025.0080.OA	M2,5	8	5.5	1.5	0.5	0.5	PA 6/66	Std	Natural	-
11N.025.0100.OA	M2,5	10	5.5	1.5	0.5	0.5	PA 6/66	Std	Natural	-
11N.025.0100.OB	M2,5	10	5.5	1.5	0.5	0.5	PA 6/66	Std	Black	-
11N.025.0120.OA	M2,5	12	5.5	1.5	0.5	0.5	PA 6/66	Std	Natural	-
11N.025.0160.OA	M2,5	16	5.5	1.5	0.5	0.5	PA 6/66	Std	Natural	-
11N.025.0160.OB	M2,5	16	5.5	1.5	0.5	0.5	PA 6/66	Std	Black	-
11N.025.0200.OA	M2,5	20	5.5	1.5	0.5	0.5	PA 6/66	Std	Natural	-
11N.025.0250.OA	M2,5	25	5.5	1.5	0.5	0.5	PA 6/66	Std	Natural	-
11N.030.0050.OA	M 3	5	6.3	1.7	0.6	0.8	PA 6/66	Std	Natural	-
11N.030.0050.OB	M 3	5	6.3	1.7	0.6	0.8	PA 6/66	Std	Black	-
11N.030.0060.OA	M 3	6	6.3	1.7	0.6	0.8	PA 6/66	Std	Natural	-
11N.030.0060.OB	M 3	6	6.3	1.7	0.6	0.8	PA 6/66	Std	Black	-
11N.030.0080.OA	M 3	8	6.3	1.7	0.6	0.8	PA 6/66	Std	Natural	-
11N.030.0080.OB	M 3	8	6.3	1.7	0.6	0.8	PA 6/66	Std	Black	-
11N.030.0100.OA	M 3	10	6.3	1.7	0.6	0.8	PA 6/66	Std	Natural	-
11N.030.0100.OB	M 3	10	6.3	1.7	0.6	0.8	PA 6/66	Std	Black	-
11N.030.0120.OA	M 3	12	6.3	1.7	0.6	0.8	PA 6/66	Std	Natural	-



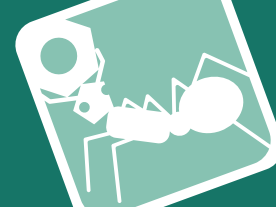
# Slot Countersunk Screw

## DIN 963

Nylon

Order No.	d <sub>1</sub>	l <sub>1</sub>	d <sub>2</sub>	h <sub>1</sub>	h <sub>2</sub>	w <sub>1</sub>	Material	Grade	Finish	To standard
11N.030.0120.OB	M 3	12	6.3	1.7	0.6	0.8	PA 6/66	Std	Black	-
11N.030.0150.OA	M 3	15	6.3	1.7	0.6	0.8	PA 6/66	Std	Natural	-
11N.030.0160.OA	M 3	16	6.3	1.7	0.6	0.8	PA 6/66	Std	Natural	-
11N.030.0160.OB	M 3	16	6.3	1.7	0.6	0.8	PA 6/66	Std	Black	-
11N.030.0200.OA	M 3	20	6.3	1.7	0.6	0.8	PA 6/66	Std	Natural	-
11N.030.0200.OB	M 3	20	6.3	1.7	0.6	0.8	PA 6/66	Std	Black	-
11N.030.0250.OA	M 3	25	6.3	1.7	0.6	0.8	PA 6/66	Std	Natural	-
11N.030.0250.OB	M 3	25	6.3	1.7	0.6	0.8	PA 6/66	Std	Black	-
11N.030.0300.OA	M 3	30	6.3	1.7	0.6	0.8	PA 6/66	Std	Natural	-
11N.030.0420.OA	M 3	42	6.3	1.7	0.6	0.8	PA 6/66	Std	Natural	-
11N.030.0450.OA	M 3	45	5.6	1.65	0.6	0.8	PA 6/66	Std	Natural	-
11N.030.0550.OA	M 3	55	5.6	1.65	0.6	0.8	PA 6/66	Std	Natural	-
11N.035.0050.OA	M3,5	5	8.2	2.3	0.9	1.0	PA 6/66	Std	Natural	-
11N.035.0060.OA	M3,5	6	8.2	2.3	0.9	1.0	PA 6/66	Std	Natural	-
11N.035.0080.OA	M3,5	8	8.2	2.3	0.9	1.0	PA 6/66	Std	Natural	-
11N.035.0100.OA	M3,5	10	8.2	2.3	0.9	1.0	PA 6/66	Std	Natural	-
11N.035.0160.OA	M3,5	16	8.2	2.3	0.9	1.0	PA 6/66	Std	Natural	-
11N.035.0200.OA	M3,5	20	8.2	2.3	0.9	1.0	PA 6/66	Std	Natural	-
11N.035.0250.OA	M3,5	25	8.2	2.3	0.9	1.0	PA 6/66	Std	Natural	-
11N.035.0350.OA	M3,5	35	8.2	2.3	0.9	1.0	PA 6/66	Std	Natural	-
11N.040.0060.OA	M 4	6	9.4	2.7	1.0	1.2	PA 6/66	Std	Natural	-
11N.040.0060.OB	M 4	6	9.4	2.7	1.0	1.2	PA 6/66	Std	Black	-
11N.040.0080.OA	M 4	8	9.4	2.7	1.0	1.2	PA 6/66	Std	Natural	-
11N.040.0100.OA	M 4	10	9.4	2.7	1.0	1.2	PA 6/66	Std	Natural	-
11N.040.0100.OB	M 4	10	9.4	2.7	1.0	1.2	PA 6/66	Std	Black	-
11N.040.0120.OA	M 4	12	9.4	2.7	1.0	1.2	PA 6/66	Std	Natural	-
11N.040.0120.OB	M 4	12	9.4	2.7	1.0	1.2	PA 6/66	Std	Black	-
11N.040.0160.OA	M 4	16	9.4	2.7	1.0	1.2	PA 6/66	Std	Natural	-
11N.040.0200.OA	M 4	20	9.4	2.7	1.0	1.2	PA 6/66	Std	Natural	-
11N.040.0200.OB	M 4	20	9.4	2.7	1.0	1.2	PA 6/66	Std	Black	-
11N.040.0250.OA	M 4	25	9.4	2.7	1.0	1.2	PA 6/66	Std	Natural	-
11N.040.0250.OB	M 4	25	9.4	2.7	1.0	1.2	PA 6/66	Std	Black	-
11N.040.0300.OA	M 4	30	9.4	2.7	1.0	1.2	PA 6/66	Std	Natural	-
11N.040.0300.OB	M 4	30	9.4	2.7	1.0	1.2	PA 6/66	Std	Black	-
11N.040.0350.OA	M 4	35	9.4	2.7	1.0	1.2	PA 6/66	Std	Natural	-
11N.050.0060.OA	M 5	6	10.4	2.7	1.1	1.2	PA 6/66	Std	Natural	-
11N.050.0080.OA	M 5	8	10.4	2.7	1.1	1.2	PA 6/66	Std	Natural	-
11N.050.0080.OB	M 5	8	10.4	2.7	1.1	1.2	PA 6/66	Std	Black	-
11N.050.0100.OA	M 5	10	10.4	2.7	1.1	1.2	PA 6/66	Std	Natural	-
11N.050.0100.OB	M 5	10	10.4	2.7	1.1	1.2	PA 6/66	Std	Black	-
11N.050.0120.OA	M 5	12	10.4	2.7	1.1	1.2	PA 6/66	Std	Natural	-
11N.050.0160.OA	M 5	16	10.4	2.7	1.1	1.2	PA 6/66	Std	Natural	-
11N.050.0160.OB	M 5	16	10.4	2.7	1.1	1.2	PA 6/66	Std	Black	-
11N.050.0200.OA	M 5	20	10.4	2.7	1.1	1.2	PA 6/66	Std	Natural	-
11N.050.0200.OB	M 5	20	10.4	2.7	1.1	1.2	PA 6/66	Std	Black	-
11N.050.0250.OA	M 5	25	10.4	2.7	1.1	1.2	PA 6/66	Std	Natural	-
11N.050.0300.OA	M 5	30	10.4	2.7	1.1	1.2	PA 6/66	Std	Natural	-
11N.050.0400.OA	M 5	40	10.4	2.7	1.1	1.2	PA 6/66	Std	Natural	-
11N.060.0080.OA	M 6	8	12.6	3.3	1.2	1.6	PA 6/66	Std	Natural	-
11N.060.0100.OA	M 6	10	12.6	3.3	1.2	1.6	PA 6/66	Std	Natural	-
11N.060.0120.OA	M 6	12	12.6	3.3	1.2	1.6	PA 6/66	Std	Natural	-
11N.060.0160.OA	M 6	16	12.6	3.3	1.2	1.6	PA 6/66	Std	Natural	-
11N.060.0200.OA	M 6	20	12.6	3.3	1.2	1.6	PA 6/66	Std	Natural	-
11N.060.0200.OB	M 6	20	12.6	3.3	1.2	1.6	PA 6/66	Std	Black	-
11N.060.0250.OA	M 6	25	12.6	3.3	1.2	1.6	PA 6/66	Std	Natural	-
11N.060.0300.OA	M 6	30	12.6	3.3	1.2	1.6	PA 6/66	Std	Natural	-
11N.060.0300.OB	M 6	30	11.0	3.0	1.2	1.6	PA 6/66	Std	Black	-
11N.060.0350.OA	M 6	35	12.6	3.3	1.2	1.6	PA 6/66	Std	Natural	-
11N.060.0400.OA	M 6	40	12.6	3.3	1.2	1.6	PA 6/66	Std	Natural	-
11N.060.0450.OA	M 6	45	12.6	3.3	1.2	1.6	PA 6/66	Std	Natural	-
11N.060.0450.OB	M 6	45	12.6	3.3	1.2	1.6	PA 6/66	Std	Black	-
11N.060.0500.OA	M 6	50	12.6	3.3	1.2	1.6	PA 6/66	Std	Natural	-
11N.060.0500.OB	M 6	50	12.6	3.3	1.2	1.6	PA 6/66	Std	Black	-
11N.060.0600.OA	M 6	60	12.6	3.3	1.2	1.6	PA 6/66	Std	Natural	-
11N.060.0650.OA	M 6	60	12.6	3.3	1.2	1.6	PA 6/66	Std	Natural	-
11N.080.0100.OAD	M 8	10	14.5	4.0	1.6	2.0	PA 6/66	Std	Natural	DIN 963
11N.080.0120.OAD	M 8	12	14.5	4.0	1.6	2.0	PA 6/66	Std	Natural	DIN 963
11N.080.0150.OAD	M 8	15	14.5	4.0	1.6	2.0	PA 6/66	Std	Natural	DIN 963
11N.080.0160.OA	M 8	16	17.3	4.6	1.8	2.3	PA 6/66	Std	Natural	-

NO17M



Order No.	d <sub>1</sub>	l <sub>1</sub>	d <sub>2</sub>	h <sub>1</sub>	h <sub>2</sub>	w <sub>1</sub>	Material	Grade	Finish	To standard
11N.080.0170.OAD	M 8	17	14.5	4.0	1.6	2.0	PA 6/66	Std	Natural	DIN 963
11N.080.0200.OA	M 8	20	17.3	4.6	1.8	2.3	PA 6/66	Std	Natural	-
11N.080.0200.OAD	M 8	20	14.5	4.0	1.6	2.0	PA 6/66	Std	Natural	DIN 963
11N.080.0250.OA	M 8	25	17.3	4.6	1.8	2.3	PA 6/66	Std	Natural	-
11N.080.0250.OAD	M 8	25	14.5	4.0	1.6	2.0	PA 6/66	Std	Natural	DIN 963
11N.080.0250.OB	M 8	25	17.3	4.6	1.8	2.3	PA 6/66	Std	Black	-
11N.080.0300.OA	M 8	30	17.3	4.6	1.8	2.3	PA 6/66	Std	Natural	-
11N.080.0300.OAD	M 8	30	14.5	4.0	1.6	2.0	PA 6/66	Std	Natural	DIN 963
11N.080.0300.OB	M 8	30	17.3	4.6	1.8	2.3	PA 6/66	Std	Black	-
11N.080.0350.OA	M 8	35	17.3	4.6	1.8	2.3	PA 6/66	Std	Natural	-
11N.080.0350.OAD	M 8	35	14.5	4.0	1.6	2.0	PA 6/66	Std	Natural	DIN 963
11N.080.0400.OA	M 8	40	17.3	4.6	1.8	2.3	PA 6/66	Std	Natural	-
11N.080.0400.OAD	M 8	40	14.5	4.0	1.6	2.0	PA 6/66	Std	Natural	DIN 963
11N.080.0450.OA	M 8	45	14.5	4.0	1.6	2.0	PA 6/66	Std	Black	DIN 963
11N.080.0450.OAD	M 8	45	14.5	4.0	1.6	2.0	PA 6/66	Std	Natural	DIN 963
11N.080.0500.OA	M 8	50	17.3	4.6	1.8	2.3	PA 6/66	Std	Natural	-
11N.080.0500.OAD	M 8	50	14.5	4.0	1.6	2.0	PA 6/66	Std	Natural	DIN 963
11N.080.0500.OB	M 8	50	17.3	4.6	1.8	2.3	PA 6/66	Std	Black	-
11N.080.0550.OAD	M 8	55	14.5	4.0	1.6	2.0	PA 6/66	Std	Natural	DIN 963
11N.080.0600.OA	M 8	60	17.3	4.6	1.8	2.3	PA 6/66	Std	Natural	-
11N.080.0650.OAD	M 8	65	14.5	4.0	1.6	2.0	PA 6/66	Std	Natural	DIN 963
11N.080.0700.OA	M 8	70	17.3	4.6	1.8	2.3	PA 6/66	Std	Natural	-
11N.080.0750.OAD	M 8	75	14.5	4.0	1.6	2.0	PA 6/66	Std	Natural	DIN 963
11N.080.0850.OAD	M 8	85	14.5	4.0	1.6	2.0	PA 6/66	Std	Natural	DIN 963
11N.100.0100.OAD	M10	10	18.0	5.0	2.0	2.5	PA 6/66	Std	Natural	DIN 963
11N.100.0120.OAD	M10	12	18.0	5.0	2.0	2.5	PA 6/66	Std	Natural	DIN 963
11N.100.0150.OAD	M10	15	18.0	5.0	2.0	2.5	PA 6/66	Std	Natural	DIN 963
11N.100.0170.OAD	M10	17	18.0	5.0	2.0	2.5	PA 6/66	Std	Natural	DIN 963
11N.100.0200.OA	M10	20	20.0	5.0	2.0	2.5	PA 6/66	Std	Natural	-
11N.100.0200.OAD	M10	20	18.0	5.0	2.0	2.5	PA 6/66	Std	Natural	DIN 963
11N.100.0200.OB	M10	20	20.0	5.0	2.0	2.5	PA 6/66	Std	Black	-
11N.100.0250.OA	M10	25	20.0	5.0	2.0	2.5	PA 6/66	Std	Natural	-
11N.100.0250.OAD	M10	25	18.0	5.0	2.0	2.5	PA 6/66	Std	Natural	DIN 963
11N.100.0300.OA	M10	30	20.0	5.0	2.0	2.5	PA 6/66	Std	Natural	-
11N.100.0300.OAD	M10	30	18.0	5.0	2.0	2.5	PA 6/66	Std	Natural	DIN 963
11N.100.0300.OB	M10	30	20.0	5.0	2.0	2.5	PA 6/66	Std	Black	-
11N.100.0350.OA	M10	35	20.0	5.0	2.0	2.5	PA 6/66	Std	Natural	-
11N.100.0350.OAD	M10	35	18.0	5.0	2.0	2.5	PA 6/66	Std	Natural	DIN 963
11N.100.0400.OA	M10	40	20.0	5.0	2.0	2.5	PA 6/66	Std	Natural	-
11N.100.0400.OAD	M10	40	18.0	5.0	2.0	2.5	PA 6/66	Std	Natural	DIN 963
11N.100.0450.OAD	M10	45	18.0	5.0	2.0	2.5	PA 6/66	Std	Natural	DIN 963
11N.100.0500.OA	M10	50	20.0	5.0	2.0	2.5	PA 6/66	Std	Natural	-
11N.100.0500.OAD	M10	50	18.0	5.0	2.0	2.5	PA 6/66	Std	Natural	DIN 963
11N.100.0550.OAD	M10	55	18.0	5.0	2.0	2.5	PA 6/66	Std	Natural	DIN 963
11N.100.0600.OA	M10	60	20.0	5.0	2.0	2.5	PA 6/66	Std	Natural	-
11N.100.0650.OAD	M10	65	18.0	5.0	2.0	2.5	PA 6/66	Std	Natural	DIN 963
11N.100.0750.OA	M10	75	20.0	5.0	2.0	2.5	PA 6/66	Std	Natural	-
11N.100.0750.OAD	M10	75	18.0	5.0	2.0	2.5	PA 6/66	Std	Natural	DIN 963
11N.100.0850.OAD	M10	85	18.0	5.0	2.0	2.5	PA 6/66	Std	Natural	DIN 963
11N.120.0200.OA	M12	20	22.0	6.0	2.4	3.0	PA 6/66	Std	Natural	DIN 963
11N.120.0250.OA	M12	25	22.0	6.0	2.4	3.0	PA 6/66	Std	Natural	DIN 963
11N.120.0300.OA	M12	30	22.0	6.0	2.4	3.0	PA 6/66	Std	Natural	DIN 963
11N.120.0350.OA	M12	35	22.0	6.0	2.4	3.0	PA 6/66	Std	Natural	DIN 963
11N.120.0450.OA	M12	45	22.0	6.0	2.4	3.0	PA 6/66	Std	Natural	DIN 963
11N.120.0500.OA	M12	50	22.0	6.0	2.4	3.0	PA 6/66	Std	Natural	DIN 963
11N.120.0500.OB	M12	50	22.0	6.0	2.4	3.0	PA 6/66	Std	Black	DIN 963
11N.120.0600.OA	M12	60	22.0	6.0	2.4	3.0	PA 6/66	Std	Natural	DIN 963
11N.120.0650.OA	M12	65	22.0	6.0	2.4	3.0	PA 6/66	Std	Natural	DIN 963
11N.120.0700.OA	M12	70	22.0	6.0	2.4	3.0	PA 6/66	Std	Natural	-
11N.120.0750.OA	M12	75	22.0	6.0	2.4	3.0	PA 6/66	Std	Natural	DIN 963
11N.120.0950.OA	M12	95	22.0	6.0	2.4	3.0	PA 6/66	Std	Natural	-
11N.160.0400.OA	M16	40	29.0	8.0	4.0	4.0	PA 6/66	Std	Natural	-
11N.160.0500.OA	M16	50	29.0	8.0	4.0	4.0	PA 6/66	Std	Natural	-

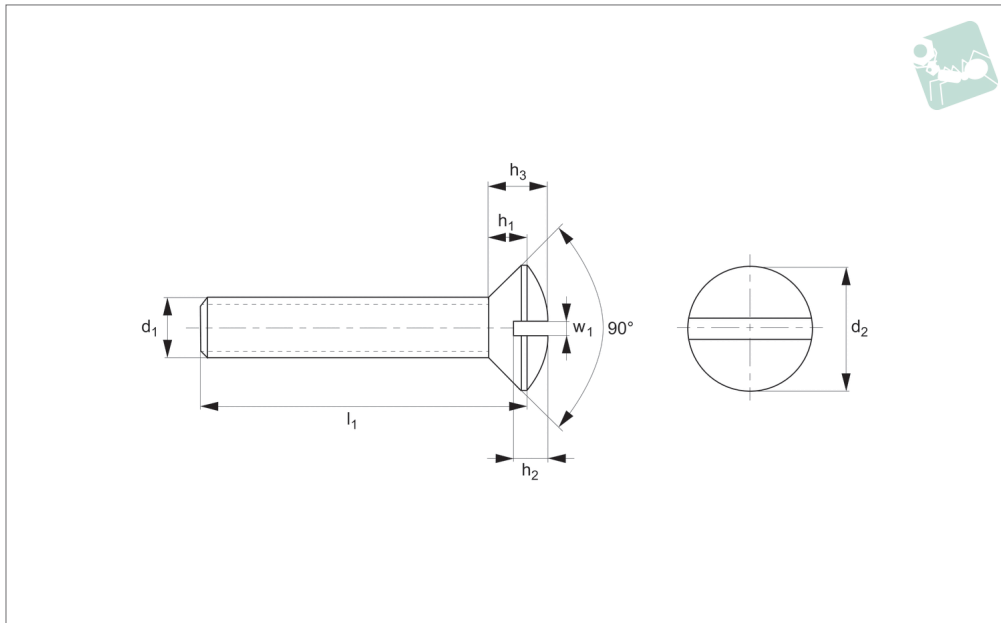




# Slot Raised Countersunk Screw

## DIN 964

Nylon



**N0016.96N**

NYLON

### Material

Nylon 66 (PA 6/66), standard. Natural or black.

### Technical Notes

DIN norms were created for metal parts, the dimensions of our plastic DIN equivalents are close to the norm but do not

follow the strict tolerances typically relevant to metal parts.

Many Nylon parts are available in dyed black, this subject to a minimum value and process charge, please contact us for further details.

Dyed black colour is not long term UV

stable. Nylon parts offer good electrical insulation, is resistant to corrosion and most dilute acids.

Nylon protects work surfaces and absorbs shocks and vibrations.

Order No.	d <sub>1</sub>	l <sub>1</sub>	d <sub>2</sub>	h <sub>1</sub>	h <sub>2</sub>	h <sub>3</sub>	w <sub>1</sub>	Material	Grade	Finish	To standard
96N.020.0040.OA	M 2	4	4.4	1.2	0.8	1.7	0.5	PA-6/66	Std.	Natural	-
96N.020.0050.OA	M 2	5	4.4	1.2	0.8	1.7	0.5	PA-6/66	Std.	Natural	-
96N.020.0060.OA	M 2	6	4.4	1.2	0.8	1.7	0.5	PA-6/66	Std.	Natural	-
96N.020.0080.OA	M 2	8	4.4	1.2	0.8	1.7	0.5	PA-6/66	Std.	Natural	-
96N.020.0100.OA	M 2	10	4.4	1.2	0.8	1.7	0.5	PA-6/66	Std.	Natural	-
96N.020.0110.OA	M 2	11	4.4	1.2	0.8	1.7	0.5	PA-6/66	Std.	Natural	-
96N.020.0120.OA	M 2	12	4.4	1.2	0.8	1.7	0.5	PA-6/66	Std.	Natural	-
96N.020.0160.OA	M 2	16	4.4	1.2	0.8	1.7	0.5	PA-6/66	Std.	Natural	-
96N.020.0200.OAD	M 2	20	3.8	1.2	0.8	1.7	0.5	PA-6/66	Std.	Natural	DIN 964
96N.020.0250.OA	M 2	25	4.4	1.2	0.8	1.7	0.5	PA-6/66	Std.	Natural	-
96N.025.0040.OA	M2,5	4	5.5	1.5	1.0	2.1	0.6	PA-6/66	Std.	Natural	-
96N.025.0050.OA	M2,5	5	5.5	1.5	1.0	2.1	0.6	PA-6/66	Std.	Natural	-
96N.025.0060.OA	M2,5	6	5.5	1.5	1.0	2.1	0.6	PA-6/66	Std.	Natural	-
96N.025.0080.OA	M2,5	8	5.5	1.5	1.0	2.1	0.6	PA-6/66	Std.	Natural	-
96N.025.0100.OA	M2,5	10	5.5	1.5	1.0	2.1	0.6	PA-6/66	Std.	Natural	-
96N.025.0120.OA	M2,5	12	5.5	1.5	1.0	2.1	0.6	PA-6/66	Std.	Natural	-
96N.025.0160.OA	M2,5	16	5.5	1.5	1.0	2.1	0.6	PA-6/66	Std.	Natural	-
96N.025.0200.OA	M2,5	20	5.5	1.5	1.0	2.1	0.6	PA-6/66	Std.	Natural	-
96N.025.0250.OA	M2,5	25	5.5	1.5	1.0	2.1	0.6	PA-6/66	Std.	Natural	-
96N.030.0050.OA	M 3	5	6.3	1.7	1.2	2.4	0.8	PA-6/66	Std.	Natural	-
96N.030.0060.OA	M 3	6	6.3	1.7	1.2	2.4	0.8	PA-6/66	Std.	Natural	-
96N.030.0080.OA	M 3	8	6.3	1.7	1.2	2.4	0.8	PA-6/66	Std.	Natural	-
96N.030.0100.OA	M 3	10	6.3	1.7	1.2	2.4	0.8	PA-6/66	Std.	Natural	-
96N.030.0120.OA	M 3	12	6.3	1.7	1.2	2.4	0.8	PA-6/66	Std.	Natural	-
96N.030.0150.OA	M 3	15	6.3	1.7	1.2	2.4	0.8	PA-6/66	Std.	Natural	-
96N.030.0160.OA	M 3	16	6.3	1.7	1.2	2.4	0.8	PA-6/66	Std.	Natural	-
96N.030.0200.OA	M 3	20	6.3	1.7	1.2	2.4	0.8	PA-6/66	Std.	Natural	-
96N.030.0250.OA	M 3	25	6.3	1.7	1.2	2.4	0.8	PA-6/66	Std.	Natural	-
96N.030.0300.OA	M 3	30	6.3	1.7	1.2	2.4	0.8	PA-6/66	Std.	Natural	-
96N.030.0420.OA	M 3	42	6.3	1.7	1.2	2.4	0.8	PA-6/66	Std.	Natural	-
96N.030.0450.OAD	M 3	45	5.6	1.65	0.7	2.35	1.0	PA-6/66	Std.	Natural	DIN 964



Order No.	d <sub>1</sub>	l <sub>1</sub>	d <sub>2</sub>	h <sub>1</sub>	h <sub>2</sub>	h <sub>3</sub>	w <sub>1</sub>	Material	Grade	Finish	To standard
96N.030.0550.OAD	M 3	55	5.6	1.65	0.7	2.35	1.0	PA-6/66	Std.	Natural	DIN 964
96N.035.0050.OA	M3,5	5	8.2	2.3	1.4	3.1	1.0	PA-6/66	Std.	Natural	-
96N.035.0060.OA	M3,5	6	8.2	2.3	1.4	3.1	1.0	PA-6/66	Std.	Natural	-
96N.035.0080.OA	M3,5	8	8.2	2.3	1.4	3.1	1.0	PA-6/66	Std.	Natural	-
96N.035.0100.OA	M3,5	10	8.2	2.3	1.4	3.1	1.0	PA-6/66	Std.	Natural	-
96N.035.0160.OA	M3,5	16	8.2	2.3	1.4	3.1	1.0	PA-6/66	Std.	Natural	-
96N.035.0200.OA	M3,5	20	8.2	2.3	1.4	3.1	1.0	PA-6/66	Std.	Natural	-
96N.035.0250.OA	M3,5	25	8.2	2.3	1.4	3.1	1.0	PA-6/66	Std.	Natural	-
96N.035.0350.OA	M3,5	35	8.2	2.3	1.4	3.1	1.0	PA-6/66	Std.	Natural	-
96N.040.0060.OA	M 4	6	9.4	2.7	1.6	3.7	1.2	PA-6/66	Std.	Natural	-
96N.040.0080.OA	M 4	8	9.4	2.7	1.6	3.7	1.2	PA-6/66	Std.	Natural	-
96N.040.0100.OA	M 4	10	9.4	2.7	1.6	3.7	1.2	PA-6/66	Std.	Natural	-
96N.040.0120.OA	M 4	12	9.4	2.7	1.6	3.7	1.2	PA-6/66	Std.	Natural	-
96N.040.0150.OA	M 4	15	9.4	2.7	1.6	3.7	1.2	PA-6/66	Std.	Natural	-
96N.040.0160.OA	M 4	16	9.4	2.7	1.6	3.7	1.2	PA-6/66	Std.	Natural	-
96N.040.0200.OA	M 4	20	9.4	2.7	1.6	3.7	1.2	PA-6/66	Std.	Natural	-
96N.040.0250.OA	M 4	25	9.4	2.7	1.6	3.7	1.2	PA-6/66	Std.	Natural	-
96N.040.0300.OA	M 4	30	9.4	2.7	1.6	3.7	1.2	PA-6/66	Std.	Natural	-
96N.040.0350.OA	M 4	35	9.4	2.7	1.6	3.7	1.2	PA-6/66	Std.	Natural	-
96N.050.0060.OA	M 5	6	10.4	2.7	2.0	3.9	1.2	PA-6/66	Std.	Natural	-
96N.050.0080.OA	M 5	8	10.4	2.7	2.0	3.9	1.2	PA-6/66	Std.	Natural	-
96N.050.0100.OA	M 5	10	10.4	2.7	2.0	3.9	1.2	PA-6/66	Std.	Natural	-
96N.050.0120.OA	M 5	12	10.4	2.7	2.0	3.9	1.2	PA-6/66	Std.	Natural	-
96N.050.0150.OA	M 5	15	10.4	2.7	2.0	3.9	1.2	PA-6/66	Std.	Natural	-
96N.050.0160.OA	M 5	16	10.4	2.7	2.0	3.9	1.2	PA-6/66	Std.	Natural	-
96N.050.0200.OA	M 5	20	10.4	2.7	2.0	3.9	1.2	PA-6/66	Std.	Natural	-
96N.050.0250.OA	M 5	25	10.4	2.7	2.0	3.9	1.2	PA-6/66	Std.	Natural	-
96N.050.0300.OA	M 5	30	10.4	2.7	2.0	3.9	1.2	PA-6/66	Std.	Natural	-
96N.050.0350.OA	M 5	35	10.4	2.7	2.0	3.9	1.2	PA-6/66	Std.	Natural	-
96N.050.0400.OA	M 5	40	10.4	2.7	2.0	3.9	1.2	PA-6/66	Std.	Natural	-
96N.060.0080.OA	M 6	8	12.6	3.3	2.4	4.7	1.6	PA-6/66	Std.	Natural	-
96N.060.0100.OA	M 6	10	12.6	3.3	2.4	4.7	1.6	PA-6/66	Std.	Natural	-
96N.060.0120.OA	M 6	12	12.6	3.3	2.4	4.7	1.6	PA-6/66	Std.	Natural	-
96N.060.0160.OA	M 6	16	12.6	3.3	2.4	4.7	1.6	PA-6/66	Std.	Natural	-
96N.060.0200.OA	M 6	20	12.6	3.3	2.4	4.7	1.6	PA-6/66	Std.	Natural	-
96N.060.0250.OA	M 6	25	12.6	3.3	2.4	4.7	1.6	PA-6/66	Std.	Natural	-
96N.060.0300.OAD	M 6	30	11.0	1.5	3.0	4.5	1.9	PA-6/66	Std.	Natural	DIN 964
96N.060.0350.OA	M 6	35	12.6	3.3	2.4	4.7	1.6	PA-6/66	Std.	Natural	-
96N.060.0400.OA	M 6	40	12.6	3.3	2.4	4.7	1.6	PA-6/66	Std.	Natural	-
96N.060.0450.OA	M 6	45	12.6	3.3	2.4	4.7	1.6	PA-6/66	Std.	Natural	-
96N.060.0500.OA	M 6	50	12.6	3.3	2.4	4.7	1.6	PA-6/66	Std.	Natural	-
96N.060.0600.OAD	M 6	60	11.0	1.5	3.0	4.5	1.9	PA-6/66	Std.	Natural	DIN 964
96N.080.0100.OAD	M 8	10	14.5	2.0	4.0	6.0	2.3	PA-6/66	Std.	Natural	DIN 964
96N.080.0120.OAD	M 8	12	14.5	2.0	4.0	6.0	2.3	PA-6/66	Std.	Natural	DIN 964
96N.080.0150.OAD	M 8	15	14.5	2.0	4.0	6.0	2.3	PA-6/66	Std.	Natural	DIN 964
96N.080.0170.OAD	M 8	17	14.5	2.0	4.0	6.0	2.3	PA-6/66	Std.	Natural	DIN 964
96N.080.0200.OAD	M 8	20	14.5	2.0	4.0	6.0	2.3	PA-6/66	Std.	Natural	DIN 964
96N.080.0250.OAD	M 8	25	11.0	1.5	3.0	4.5	1.9	PA-6/66	Std.	Natural	-
96N.080.0300.OA	M 8	30	17.3	4.6	3.2	6.6	2.0	PA-6/66	Std.	Natural	-
96N.080.0300.OAD	M 8	30	14.5	2.0	4.0	6.0	2.3	PA-6/66	Std.	Natural	DIN 964
96N.080.0350.OAD	M 8	35	14.5	2.0	4.0	6.0	2.3	PA-6/66	Std.	Natural	DIN 964
96N.080.0400.OAD	M 8	40	14.5	2.0	4.0	6.0	2.3	PA-6/66	Std.	Natural	DIN 964
96N.080.0450.OAD	M 8	45	14.5	2.0	4.0	6.0	2.3	PA-6/66	Std.	Natural	DIN 964
96N.080.0500.OA	M 8	50	17.3	4.6	3.2	6.6	2.0	PA-6/66	Std.	Natural	-
96N.080.0500.OAD	M 8	50	14.5	2.0	4.0	6.0	2.3	PA-6/66	Std.	Natural	DIN 964
96N.080.0550.OAD	M 8	55	14.5	2.0	4.0	6.0	2.3	PA-6/66	Std.	Natural	DIN 964
96N.080.0650.OAD	M 8	65	14.5	2.0	4.0	6.0	2.3	PA-6/66	Std.	Natural	DIN 964
96N.080.0750.OAD	M 8	75	14.5	2.0	4.0	6.0	2.3	PA-6/66	Std.	Natural	DIN 964
96N.080.0850.OAD	M 8	85	14.5	2.0	4.0	6.0	2.3	PA-6/66	Std.	Natural	DIN 964
96N.100.0100.OAD	M10	10	18.0	2.5	5.0	7.5	2.8	PA-6/66	Std.	Natural	DIN 964
96N.100.0120.OAD	M10	12	18.0	2.5	5.0	7.5	2.8	PA-6/66	Std.	Natural	DIN 964
96N.100.0150.OAD	M10	15	18.0	2.5	5.0	7.5	2.8	PA-6/66	Std.	Natural	DIN 964
96N.100.0170.OAD	M10	17	18.0	2.5	5.0	7.5	2.8	PA-6/66	Std.	Natural	DIN 964
96N.100.0200.OA	M10	20	20.0	5.0	3.8	7.3	2.5	PA-6/66	Std.	Natural	-
96N.100.0200.OAD	M10	20	18.0	2.5	5.0	7.5	2.8	PA-6/66	Std.	Natural	DIN 964
96N.100.0250.OA	M10	25	20.0	5.0	3.8	7.3	2.5	PA-6/66	Std.	Natural	-
96N.100.0250.OAD	M10	25	18.0	2.5	5.0	7.5	2.8	PA-6/66	Std.	Natural	DIN 964
96N.100.0300.OA	M10	30	20.0	5.0	3.8	7.3	2.5	PA-6/66	Std.	Natural	-
96N.100.0300.OAD	M10	30	18.0	2.5	5.0	7.5	2.8	PA-6/66	Std.	Natural	DIN 964



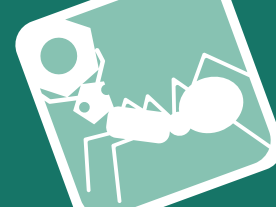
# Slot Raised Countersunk Screw

## DIN 964

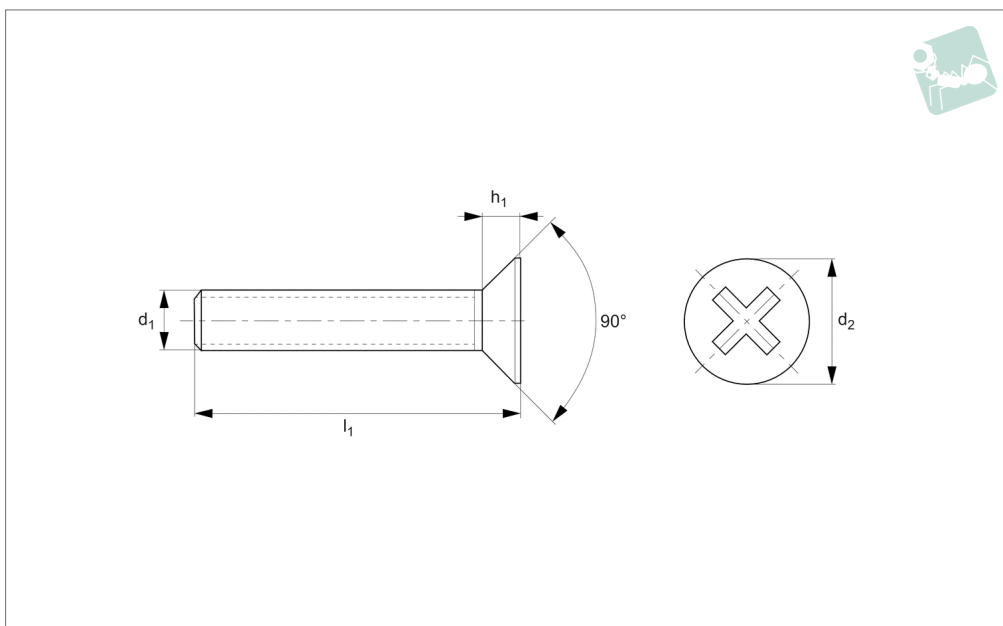
Nylon

Order No.	d <sub>1</sub>	l <sub>1</sub>	d <sub>2</sub>	h <sub>1</sub>	h <sub>2</sub>	h <sub>3</sub>	w <sub>1</sub>	Material	Grade	Finish	To standard
96N.100.0350.0A	M10	35	20.0	5.0	3.8	7.3	2.5	PA-6/66	Std.	Natural	-
96N.100.0350.0AD	M10	35	18.0	2.5	5.0	7.5	2.8	PA-6/66	Std.	Natural	DIN 964
96N.100.0400.0AD	M10	40	18.0	2.5	5.0	7.5	2.8	PA-6/66	Std.	Natural	DIN 964
96N.100.0450.0AD	M10	45	18.0	2.5	5.0	7.5	2.8	PA-6/66	Std.	Natural	DIN 964
96N.100.0500.0AD	M10	50	18.0	5.0	2.0	7.5	2.5	PA-6/66	Std.	Natural	DIN 964
96N.100.0550.0AD	M10	55	18.0	2.5	5.0	7.5	2.8	PA-6/66	Std.	Natural	DIN 964
96N.100.0600.0A	M10	60	20.0	5.0	3.8	7.3	2.5	PA-6/66	Std.	Natural	-
96N.100.0650.0AD	M10	65	18.0	2.5	5.0	7.5	2.8	PA-6/66	Std.	Natural	DIN 964
96N.100.0750.0AD	M10	75	18.0	2.5	5.0	7.5	2.8	PA-6/66	Std.	Natural	DIN 964
96N.100.0850.0AD	M10	85	18.0	2.5	5.0	7.5	2.8	PA-6/66	Std.	Natural	DIN 964
96N.120.0200.0AD	M12	20	-	-	-	-	-	PA-6/66	Std.	Natural	DIN 964
96N.120.0250.0AD	M12	25	-	-	-	-	-	PA-6/66	Std.	Natural	DIN 964
96N.120.0300.0AD	M12	30	-	-	-	-	-	PA-6/66	Std.	Natural	DIN 964
96N.120.0350.0AD	M12	35	-	-	-	-	-	PA-6/66	Std.	Natural	DIN 964
96N.120.0400.0AD	M12	40	-	-	-	-	-	PA-6/66	Std.	Natural	DIN 964
96N.120.0450.0AD	M12	45	-	-	-	-	-	PA-6/66	Std.	Natural	DIN 964
96N.120.0500.0AD	M12	50	-	-	-	-	-	PA-6/66	Std.	Natural	DIN 964
96N.120.0550.0AD	M12	55	-	-	-	-	-	PA-6/66	Std.	Natural	DIN 964
96N.120.0650.0AD	M12	65	-	-	-	-	-	PA-6/66	Std.	Natural	DIN 964
96N.120.0750.0AD	M12	75	-	-	-	-	-	PA-6/66	Std.	Natural	DIN 964
96N.120.0850.0AD	M12	85	-	-	-	-	-	PA-6/66	Std.	Natural	DIN 964
96N.120.0950.0AD	M12	95	-	-	-	-	-	PA-6/66	Std.	Natural	DIN 964
96N.160.0500.0AD	M16	50	-	-	-	-	-	PA-6/66	Std.	Natural	DIN 964

NYLON



**N0019.19N**



#### Material

Nylon 66 (PA 6/66), standard. Natural or black.

#### Technical Notes

DIN norms were created for metal parts, the dimensions of our plastic DIN equivalents are close to the norm but do not

follow the strict tolerances typically relevant to metal parts.

Many Nylon parts are available in dyed black, this subject to a minimum value and process charge, please contact us for further details.

Dyed black colour is not long term UV

stable. Nylon parts offer good electrical insulation, is resistant to corrosion and most dilute acids.

Nylon protects work surfaces and absorbs shocks and vibrations.

Order No.	d <sub>1</sub>	l <sub>1</sub>	d <sub>2</sub>	h <sub>1</sub>	Material	Grade	Finish	To standard
19N.025.0040.0A	M2,5	4	4.7	1.5	PA-6/66	Std.	Natural	-
19N.025.0050.0A	M2,5	5	4.7	1.5	PA-6/66	Std.	Natural	-
19N.025.0060.0A	M2,5	6	4.7	1.5	PA-6/66	Std.	Natural	-
19N.025.0080.0A	M2,5	8	4.7	1.5	PA-6/66	Std.	Natural	-
19N.025.0100.0A	M2,5	10	4.7	1.5	PA-6/66	Std.	Natural	-
19N.025.0120.0A	M2,5	12	4.7	1.5	PA-6/66	Std.	Natural	-
19N.025.0160.0A	M2,5	16	4.7	1.5	PA-6/66	Std.	Natural	-
19N.025.0200.0A	M2,5	20	4.7	1.5	PA-6/66	Std.	Natural	-
19N.025.0250.0A	M2,5	25	4.7	1.5	PA-6/66	Std.	Natural	-
19N.030.0050.0A	M 3	5	5.6	1.6	PA-6/66	Std.	Natural	-
19N.030.0060.0A	M 3	6	5.6	1.6	PA-6/66	Std.	Natural	-
19N.030.0080.0A	M 3	8	5.6	1.6	PA-6/66	Std.	Natural	-
19N.030.0100.0A	M 3	10	5.6	1.6	PA-6/66	Std.	Natural	-
19N.030.0120.0A	M 3	12	5.6	1.6	PA-6/66	Std.	Natural	-
19N.030.0160.0A	M 3	16	5.6	1.6	PA-6/66	Std.	Natural	-
19N.030.0200.0A	M 3	20	5.6	1.6	PA-6/66	Std.	Natural	-
19N.030.0250.0A	M 3	25	5.6	1.6	PA-6/66	Std.	Natural	-
19N.035.0050.0A	M3,5	5	8.2	2.3	PA-6/66	Std.	Natural	-
19N.035.0060.0A	M3,5	6	8.2	2.3	PA-6/66	Std.	Natural	-
19N.035.0080.0A	M3,5	8	8.2	2.3	PA-6/66	Std.	Natural	-
19N.035.0100.0A	M3,5	10	8.2	2.3	PA-6/66	Std.	Natural	-
19N.035.0120.0A	M3,5	12	8.2	2.3	PA-6/66	Std.	Natural	-
19N.035.0160.0A	M3,5	16	8.2	2.3	PA-6/66	Std.	Natural	-
19N.035.0200.0A	M3,5	20	8.2	2.3	PA-6/66	Std.	Natural	-
19N.035.0250.0A	M3,5	25	8.2	2.3	PA-6/66	Std.	Natural	-
19N.035.0350.0A	M3,5	35	8.2	2.3	PA-6/66	Std.	Natural	-
19N.040.0060.0A	M 4	6	7.5	2.2	PA-6/66	Std.	Natural	-
19N.040.0080.0A	M 4	8	7.5	2.2	PA-6/66	Std.	Natural	-
19N.040.0100.0A	M 4	10	7.5	2.2	PA-6/66	Std.	Natural	-
19N.040.0120.0A	M 4	12	7.5	2.2	PA-6/66	Std.	Natural	-
19N.040.0160.0A	M 4	16	7.5	2.2	PA-6/66	Std.	Natural	-



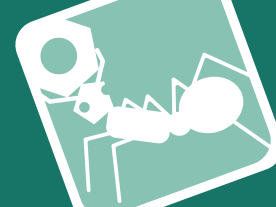
# Pozi Countersunk Screw

## DIN 965

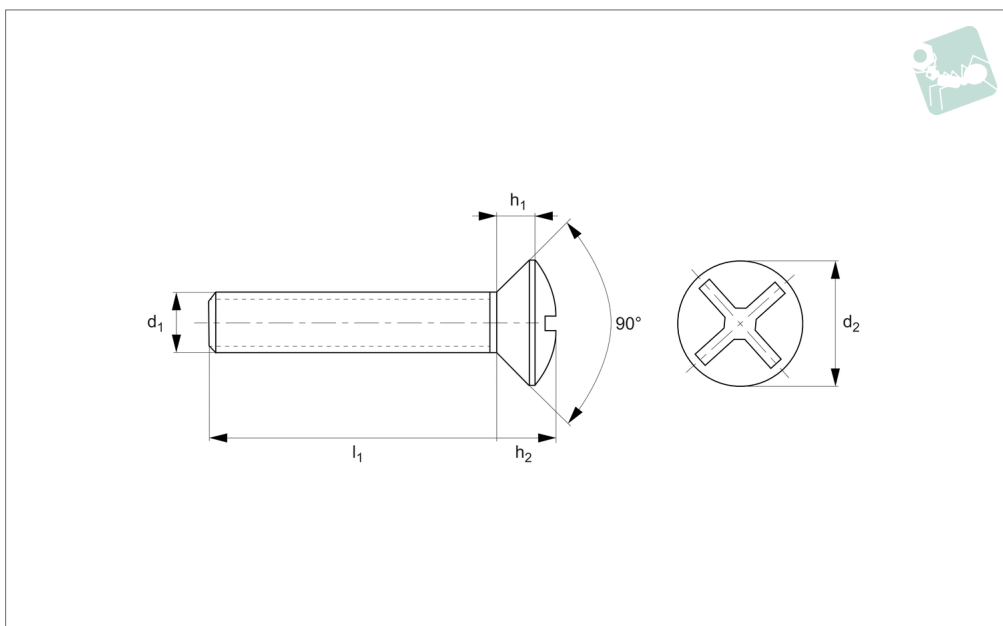
Nylon

Order No.	d <sub>1</sub>	l <sub>1</sub>	d <sub>2</sub>	h <sub>1</sub>	Material	Grade	Finish	To standard
19N.050.0060.0A	M 5	6	9.2	2.5	PA-6/66	Std.	Natural	-
19N.050.0080.0A	M 5	8	9.2	2.5	PA-6/66	Std.	Natural	-
19N.050.0100.0A	M 5	10	9.2	2.5	PA-6/66	Std.	Natural	-
19N.050.0120.0A	M 5	12	9.2	2.5	PA-6/66	Std.	Natural	-
19N.050.0160.0A	M 5	16	9.2	2.5	PA-6/66	Std.	Natural	-
19N.050.0200.0A	M 5	20	9.2	2.5	PA-6/66	Std.	Natural	-
19N.050.0250.0A	M 5	25	9.2	2.5	PA-6/66	Std.	Natural	-
19N.050.0300.0A	M 5	30	9.2	2.5	PA-6/66	Std.	Natural	-
19N.050.0400.0A	M 5	40	9.2	2.5	PA-6/66	Std.	Natural	-
19N.060.0080.0A	M 6	8	11.0	3.0	PA-6/66	Std.	Natural	-
19N.060.0100.0A	M 6	10	11.0	3.0	PA-6/66	Std.	Natural	-
19N.060.0120.0A	M 6	12	11.0	3.0	PA-6/66	Std.	Natural	-
19N.060.0160.0A	M 6	16	11.0	3.0	PA-6/66	Std.	Natural	-
19N.060.0200.0A	M 6	20	11.0	3.0	PA-6/66	Std.	Natural	-
19N.060.0250.0A	M 6	25	11.0	3.0	PA-6/66	Std.	Natural	-
19N.060.0450.0A	M 6	45	11.0	3.0	PA-6/66	Std.	Natural	-
19N.080.0100.0A	M 8	10	14.5	4.0	PA-6/66	Std.	Natural	-
19N.080.0100.0AD	M 8	10	14.5	4.0	PA-6/66	Std.	Natural	DIN 965
19N.080.0120.0AD	M 8	12	14.5	4.0	PA-6/66	Std.	Natural	DIN 965
19N.080.0150.0AD	M 8	15	14.5	4.0	PA-6/66	Std.	Natural	DIN 965
19N.080.0160.0A	M 8	16	14.5	4.0	PA-6/66	Std.	Natural	-
19N.080.0170.0AD	M 8	17	14.5	4.0	PA-6/66	Std.	Natural	DIN 965
19N.080.0200.0A	M 8	20	14.5	4.0	PA-6/66	Std.	Natural	-
19N.080.0200.0AD	M 8	20	14.5	4.0	PA-6/66	Std.	Natural	DIN 965
19N.080.0250.0A	M 8	25	14.5	4.0	PA-6/66	Std.	Natural	-
19N.080.0250.0AD	M 8	25	14.5	4.0	PA-6/66	Std.	Natural	DIN 965
19N.080.0300.0A	M 8	30	14.5	4.0	PA-6/66	Std.	Natural	-
19N.080.0300.0AD	M 8	30	14.5	4.0	PA-6/66	Std.	Natural	DIN 965
19N.080.0350.0AD	M 8	35	14.5	4.0	PA-6/66	Std.	Natural	DIN 965
19N.080.0400.0AD	M 8	40	14.5	4.0	PA-6/66	Std.	Natural	DIN 965
19N.080.0450.0AD	M 8	45	14.5	4.0	PA-6/66	Std.	Natural	DIN 965
19N.080.0500.0A	M 8	50	14.5	4.0	PA-6/66	Std.	Natural	-
19N.080.0500.0AD	M 8	50	14.5	4.0	PA-6/66	Std.	Natural	DIN 965
19N.080.0550.0AD	M 8	55	14.5	4.0	PA-6/66	Std.	Natural	DIN 965
19N.080.0650.0AD	M 8	65	14.5	4.0	PA-6/66	Std.	Natural	DIN 965
19N.080.0750.0AD	M 8	75	14.5	4.0	PA-6/66	Std.	Natural	DIN 965
19N.080.0850.0AD	M 8	85	14.5	4.0	PA-6/66	Std.	Natural	DIN 965
19N.100.0100.0AD	M10	10	18.0	5.0	PA-6/66	Std.	Natural	DIN 965
19N.100.0120.0AD	M10	12	18.0	5.0	PA-6/66	Std.	Natural	DIN 965
19N.100.0150.0AD	M10	15	18.0	5.0	PA-6/66	Std.	Natural	DIN 965
19N.100.0170.0AD	M10	17	18.0	5.0	PA-6/66	Std.	Natural	DIN 965
19N.100.0200.0AD	M10	20	18.0	5.0	PA-6/66	Std.	Natural	DIN 965
19N.100.0250.0AD	M10	25	18.0	5.0	PA-6/66	Std.	Natural	DIN 965
19N.100.0300.0AD	M10	30	18.0	5.0	PA-6/66	Std.	Natural	DIN 965
19N.100.0350.0AD	M10	35	18.0	5.0	PA-6/66	Std.	Natural	DIN 965
19N.100.0400.0AD	M10	40	18.0	5.0	PA-6/66	Std.	Natural	DIN 965
19N.100.0450.0AD	M10	45	18.0	5.0	PA-6/66	Std.	Natural	DIN 965
19N.100.0500.0AD	M10	50	18.0	5.0	PA-6/66	Std.	Natural	DIN 965
19N.100.0550.0AD	M10	55	18.0	5.0	PA-6/66	Std.	Natural	DIN 965
19N.100.0650.0AD	M10	65	18.0	5.0	PA-6/66	Std.	Natural	DIN 965
19N.100.0750.0AD	M10	75	18.0	5.0	PA-6/66	Std.	Natural	DIN 965
19N.100.0850.0AD	M10	85	18.0	5.0	PA-6/66	Std.	Natural	DIN 965

NYLON



**N0022.22N**



#### Material

Nylon 66 (PA 6/66), standard. Natural.

#### Technical Notes

DIN norms were created for metal parts, the dimensions of our plastic DIN equivalents are close to the norm but do not

follow the strict tolerances typically relevant to metal parts.

Many Nylon parts are available in dyed black, this subject to a minimum value and process charge, please contact us for further details.

Dyed black colour is not long term UV stable. Nylon parts offer good electrical insulation, is resistant to corrosion and most dilute acids.

Nylon protects work surfaces and absorbs shocks and vibrations.

Order No.	d <sub>1</sub>	l <sub>1</sub>	d <sub>2</sub>	h <sub>1</sub>	h <sub>2</sub>	Material	Grade	Finish
22N.025.0040.0A	M2,5	4	5.5	1.5	2.1	PA-6/66	Std.	Natural
22N.025.0050.0A	M2,5	5	5.5	1.5	2.1	PA-6/66	Std.	Natural
22N.025.0060.0A	M2,5	6	5.5	1.5	2.1	PA-6/66	Std.	Natural
22N.025.0080.0A	M2,5	8	5.5	1.5	2.1	PA-6/66	Std.	Natural
22N.025.0100.0A	M2,5	10	5.5	1.5	2.1	PA-6/66	Std.	Natural
22N.025.0120.0A	M2,5	12	5.5	1.5	2.1	PA-6/66	Std.	Natural
22N.025.0160.0A	M2,5	16	5.5	1.5	2.1	PA-6/66	Std.	Natural
22N.025.0200.0A	M2,5	20	5.5	1.5	2.1	PA-6/66	Std.	Natural
22N.025.0250.0A	M2,5	25	5.5	1.5	2.1	PA-6/66	Std.	Natural
22N.030.0050.0A	M 3	5	6.3	1.7	2.4	PA-6/66	Std.	Natural
22N.030.0060.0A	M 3	6	6.3	1.7	2.4	PA-6/66	Std.	Natural
22N.030.0080.0A	M 3	8	6.3	1.7	2.4	PA-6/66	Std.	Natural
22N.030.0100.0A	M 3	10	6.3	1.7	2.4	PA-6/66	Std.	Natural
22N.030.0120.0A	M 3	12	6.3	1.7	2.4	PA-6/66	Std.	Natural
22N.030.0160.0A	M 3	16	6.3	1.7	2.4	PA-6/66	Std.	Natural
22N.030.0200.0A	M 3	20	6.3	1.7	2.4	PA-6/66	Std.	Natural
22N.030.0250.0A	M 3	25	6.3	1.7	2.4	PA-6/66	Std.	Natural
22N.030.0350.0A	M 3	35	6.3	1.7	2.4	PA-6/66	Std.	Natural
22N.035.0050.0A	M3,5	5	8.2	2.3	3.1	PA-6/66	Std.	Natural
22N.035.0060.0A	M3,5	6	8.2	2.3	3.1	PA-6/66	Std.	Natural
22N.035.0080.0A	M3,5	8	8.2	2.3	3.1	PA-6/66	Std.	Natural
22N.035.0100.0A	M3,5	10	8.2	2.3	3.1	PA-6/66	Std.	Natural
22N.035.0160.0A	M3,5	16	8.2	2.3	3.1	PA-6/66	Std.	Natural
22N.035.0200.0A	M3,5	20	8.2	2.3	3.1	PA-6/66	Std.	Natural
22N.035.0250.0A	M3,5	25	8.2	2.3	3.1	PA-6/66	Std.	Natural
22N.040.0060.0A	M 4	6	9.4	2.7	3.7	PA-6/66	Std.	Natural
22N.040.0080.0A	M 4	8	9.4	2.7	3.7	PA-6/66	Std.	Natural
22N.040.0100.0A	M 4	10	9.4	2.7	3.7	PA-6/66	Std.	Natural
22N.040.0120.0A	M 4	12	9.4	2.7	3.7	PA-6/66	Std.	Natural
22N.040.0160.0A	M 4	16	9.4	2.7	3.7	PA-6/66	Std.	Natural
22N.040.0200.0A	M 4	20	9.4	2.7	3.7	PA-6/66	Std.	Natural
22N.040.0250.0A	M 4	25	9.4	2.7	3.7	PA-6/66	Std.	Natural



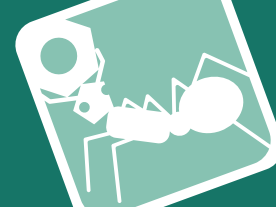
# Pozi Raised CSK Screws

## DIN 966

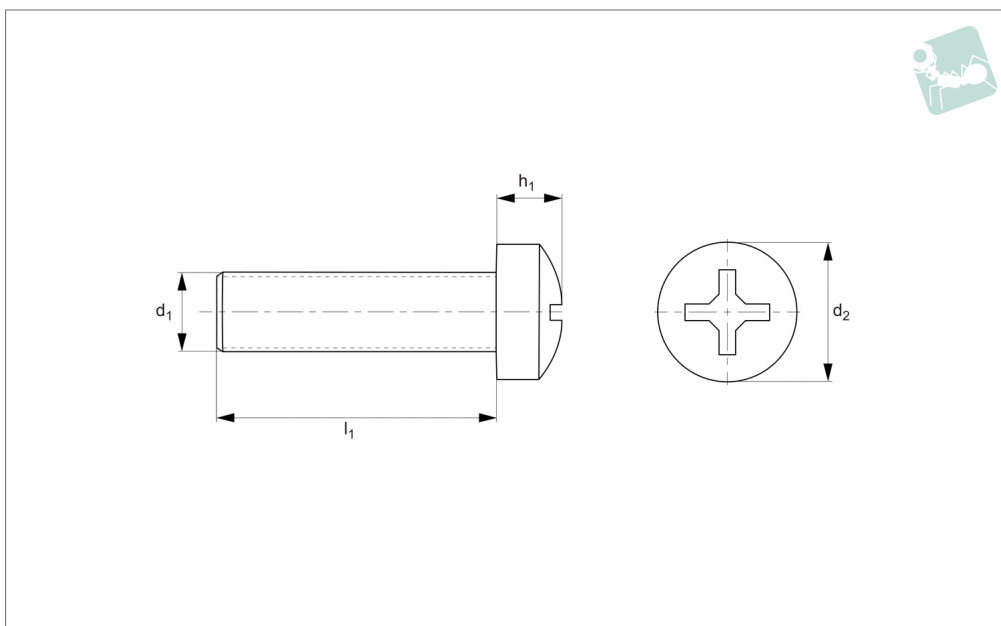
# Nylon

Order No.	d <sub>1</sub>	l <sub>1</sub>	d <sub>2</sub>	h <sub>1</sub>	h <sub>2</sub>	Material	Grade	Finish
22N.050.0060.0A	M 5	6	10.4	2.7	3.9	PA-6/66	Std.	Natural
22N.050.0080.0A	M 5	8	10.4	2.7	3.9	PA-6/66	Std.	Natural
22N.050.0100.0A	M 5	10	10.4	2.7	3.9	PA-6/66	Std.	Natural
22N.050.0120.0A	M 5	12	10.4	2.7	3.9	PA-6/66	Std.	Natural
22N.050.0160.0A	M 5	16	10.4	2.7	3.9	PA-6/66	Std.	Natural
22N.050.0200.0A	M 5	20	10.4	2.7	3.9	PA-6/66	Std.	Natural
22N.050.0250.0A	M 5	25	10.4	2.7	3.9	PA-6/66	Std.	Natural
22N.050.0300.0A	M 5	30	10.4	2.7	3.9	PA-6/66	Std.	Natural
22N.050.0400.0A	M 5	40	10.4	2.7	3.9	PA-6/66	Std.	Natural
22N.060.0080.0A	M 6	8	12.6	3.3	4.7	PA-6/66	Std.	Natural
22N.060.0100.0A	M 6	10	12.6	3.3	4.7	PA-6/66	Std.	Natural
22N.060.0120.0A	M 6	12	12.6	3.3	4.7	PA-6/66	Std.	Natural
22N.060.0160.0A	M 6	16	12.6	3.3	4.7	PA-6/66	Std.	Natural
22N.060.0200.0A	M 6	20	12.6	3.3	4.7	PA-6/66	Std.	Natural
22N.060.0250.0A	M 6	25	12.6	3.3	4.7	PA-6/66	Std.	Natural
22N.060.0350.0A	M 6	35	12.6	3.3	4.7	PA-6/66	Std.	Natural
22N.060.0450.0A	M 6	45	12.6	3.3	4.7	PA-6/66	Std.	Natural
22N.080.0100.0A	M 8	10	17.3	4.6	6.6	PA-6/66	Std.	Natural
22N.080.0160.0A	M 8	16	17.3	4.6	6.6	PA-6/66	Std.	Natural
22N.080.0200.0A	M 8	20	17.3	4.6	6.6	PA-6/66	Std.	Natural
22N.080.0250.0A	M 8	25	17.3	4.6	6.6	PA-6/66	Std.	Natural
22N.080.0300.0A	M 8	30	17.3	4.6	6.6	PA-6/66	Std.	Natural
22N.080.0500.0A	M 8	50	17.3	4.6	6.6	PA-6/66	Std.	Natural
22N.100.0200.0A	M10	20	20.0	5.0	7.3	PA-6/66	Std.	Natural
22N.100.0250.0A	M10	25	20.0	5.0	7.3	PA-6/66	Std.	Natural
22N.100.0350.0A	M10	35	20.0	5.0	7.3	PA-6/66	Std.	Natural

NYLON



**N0025.25N**



**Material**

Nylon 66 (PA 6/66), standard. Natural, white or black.

**Technical Notes**

DIN norms were created for metal parts, the dimensions of our plastic DIN equivalents are close to the norm but do not

follow the strict tolerances typically relevant to metal parts.

Many Nylon parts are available in dyed black, this subject to a minimum value and process charge, please contact us for further details.

Dyed black colour is not long term UV

stable. Nylon parts offer good electrical insulation, is resistant to corrosion and most dilute acids.

Nylon protects work surfaces and absorbs shocks and vibrations.

Order No.	d <sub>1</sub>	l <sub>1</sub>	d <sub>2</sub>	h <sub>1</sub>	Finish
25N.020.0040.0A	M 2	4	4.0	1.6	Natural, white
25N.020.0050.0A	M 2	5	4.0	1.6	Natural, white
25N.020.0060.0A	M 2	6	4.0	1.6	Natural, white
25N.020.0080.0A	M 2	8	4.0	1.6	Natural, white
25N.020.0100.0A	M 2	10	4.0	1.6	Natural, white
25N.020.0120.0A	M 2	12	4.0	1.6	Natural, white
25N.020.0160.0A	M 2	16	4.0	1.6	Natural, white
25N.020.0200.0A	M 2	20	4.0	1.6	Natural, white
25N.020.0250.0A	M 2	25	4.0	1.6	Natural, white
25N.025.0040.0A	M2,5	4	5.0	2.1	Natural, white
25N.025.0050.0A	M2,5	5	5.0	2.1	Natural, white
25N.025.0060.0A	M2,5	6	5.0	2.1	Natural, white
25N.025.0080.0A	M2,5	8	5.0	2.1	Natural, white
25N.025.0100.0A	M2,5	10	5.0	2.1	Natural, white
25N.025.0120.0A	M2,5	12	5.0	2.1	Natural, white
25N.025.0160.0A	M2,5	16	5.0	2.1	Natural, white
25N.025.0200.0A	M2,5	20	5.0	2.1	Natural, white
25N.025.0250.0A	M2,5	25	5.0	2.1	Natural, white
25N.030.0040.0A	M 3	4	5.6	2.4	Natural, white
25N.030.0050.0A	M 3	5	5.6	2.4	Natural, white
25N.030.0060.0A	M 3	6	5.6	2.4	Natural, white
25N.030.0080.0A	M 3	8	5.6	2.4	Natural, white
25N.030.0100.0A	M 3	10	5.6	2.4	Natural, white
25N.030.0120.0A	M 3	12	5.6	2.4	Natural, white
25N.030.0120.OBD	M 3	12	6.0	2.4	Black
25N.030.0160.0A	M 3	16	5.6	2.4	Natural, white
25N.030.0160.OBD	M 3	16	6.0	2.4	Black
25N.030.0200.0A	M 3	20	5.6	2.4	Natural, white
25N.030.0250.0A	M 3	25	5.6	2.4	Natural, white
25N.030.0250.OBD	M 3	25	6.0	2.4	Black
25N.030.0300.0A	M 3	30	5.6	2.4	Natural, white





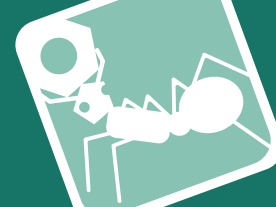
# Nylon Phillips Pan Screw

DIN 7985

Nylon

Order No.	d <sub>1</sub>	l <sub>1</sub>	d <sub>2</sub>	h <sub>1</sub>	Finish
25N.030.0350.OA	M 3	35	5.6	2.4	Natural, white
25N.030.0420.OA	M 3	42	5.6	2.4	Natural, white
25N.035.0050.OA	M3,5	5	7.0	2.6	Natural, white
25N.035.0080.OA	M3,5	8	7.0	2.6	Natural, white
25N.035.0120.OA	M3,5	12	7.0	2.6	Natural, white
25N.035.0160.OA	M3,5	16	7.0	2.6	Natural, white
25N.035.0200.OA	M3,5	20	7.0	2.6	Natural, white
25N.035.0250.OA	M3,5	25	7.0	2.6	Natural, white
25N.035.0420.OA	M3,5	42	7.0	2.6	Natural, white
25N.040.0030.OA	M 4	3	8.0	3.1	Natural, white
25N.040.0060.OA	M 4	6	8.0	3.1	Natural, white
25N.040.0060.OBD	M 4	6	6.0	3.1	Black
25N.040.0080.OA	M 4	8	8.0	3.1	Natural, white
25N.040.0100.OA	M 4	10	8.0	3.1	Natural, white
25N.040.0100.OBD	M 4	10	6.0	3.1	Black
25N.040.0120.OA	M 4	12	8.0	3.1	Natural, white
25N.040.0120.OBD	M 4	12	6.0	3.1	Black
25N.040.0160.OA	M 4	16	8.0	3.1	Natural, white
25N.040.0160.OBD	M 4	16	6.0	3.1	Black
25N.040.0200.OA	M 4	20	8.0	3.1	Natural, white
25N.040.0200.OBD	M 4	20	6.0	3.1	Black
25N.040.0250.OA	M 4	25	8.0	3.1	Natural, white
25N.040.0250.OBD	M 4	25	6.0	3.1	Black
25N.040.0300.OA	M 4	30	8.0	3.1	Natural, white
25N.040.0350.OA	M 4	35	8.0	3.1	Natural, white
25N.040.0400.OA	M 4	40	8.0	3.1	Natural, white
25N.050.0060.OA	M 5	6	9.5	3.7	Natural, white
25N.050.0080.OA	M 5	8	9.5	3.7	Natural, white
25N.050.0100.OA	M 5	10	9.5	3.7	Natural, white
25N.050.0100.OBD	M 5	10	6.0	3.8	Black
25N.050.0120.OA	M 5	12	9.5	3.7	Natural, white
25N.050.0120.OBD	M 5	12	6.0	3.8	Black
25N.050.0160.OA	M 5	16	9.5	3.7	Natural, white
25N.050.0160.OBD	M 5	16	6.0	3.8	Black
25N.050.0200.OA	M 5	20	9.5	3.7	Natural, white
25N.050.0200.OBD	M 5	20	6.0	3.8	Black
25N.050.0250.OA	M 5	25	9.5	3.7	Natural, white
25N.050.0300.OA	M 5	30	9.5	3.7	Natural, white
25N.050.0350.OA	M 5	35	9.5	3.7	Natural, white
25N.050.0400.OA	M 5	40	9.5	3.7	Natural, white
25N.060.0050.OA	M 6	5	12.0	4.6	Natural, white
25N.060.0080.OA	M 6	8	12.0	4.6	Natural, white
25N.060.0080.OBD	M 6	8	6.0	4.6	Black
25N.060.0100.OA	M 6	10	12.0	4.6	Natural, white
25N.060.0100.OBD	M 6	10	6.0	4.6	Black
25N.060.0120.OA	M 6	12	12.0	4.6	Natural, white
25N.060.0120.OBD	M 6	12	6.0	4.6	Black
25N.060.0160.OA	M 6	16	12.0	4.6	Natural, white
25N.060.0160.OBD	M 6	16	6.0	4.6	Black
25N.060.0200.OA	M 6	20	12.0	4.6	Natural, white
25N.060.0200.OBD	M 6	20	6.0	4.6	Black
25N.060.0250.OA	M 6	25	12.0	4.6	Natural, white
25N.060.0250.OBD	M 6	25	6.0	4.6	Black
25N.060.0300.OA	M 6	30	12.0	4.6	Natural, white
25N.060.0350.OA	M 6	35	12.0	4.6	Natural, white
25N.060.0400.OA	M 6	40	12.0	4.6	Natural, white
25N.060.0450.OA	M 6	45	12.0	4.6	Natural, white
25N.060.0500.OA	M 6	50	12.0	4.6	Natural, white
25N.060.0600.OA	M 6	60	12.0	4.6	Natural, white
25N.060.0700.OA	M 6	70	12.0	4.6	Natural, white
25N.060.0750.OA	M 6	75	12.0	4.6	Natural, white
25N.080.0100.OA	M 8	10	16.0	6.0	Natural, white
25N.080.0160.OA	M 8	16	16.0	6.0	Natural, white
25N.080.0200.OA	M 8	20	16.0	6.0	Natural, white
25N.080.0250.OA	M 8	25	16.0	6.0	Natural, white
25N.080.0250.OBD	M 8	25	6.0	6.0	Black
25N.080.0300.OA	M 8	30	16.0	6.0	Natural, white
25N.080.0300.OBD	M 8	30	6.0	6.0	Black
25N.080.0350.OA	M 8	35	16.0	6.0	Natural, white

NYLON



Order No.	d <sub>1</sub>	l <sub>1</sub>	d <sub>2</sub>	h <sub>1</sub>	Finish
25N.080.0500.0A	M 8	50	16.0	6.0	Natural, white
25N.080.0700.0A	M 8	70	16.0	6.0	Natural, white
25N.100.0130.0A	M10	13	20.0	7.5	Natural, white
25N.100.0160.0A	M10	16	20.0	7.5	Natural, white
25N.100.0160.0B	M10	16	20.0	7.5	Black
25N.100.0200.0A	M10	20	20.0	7.5	Natural, white
25N.100.0250.0A	M10	25	20.0	7.5	Natural, white
25N.100.0300.0A	M10	30	20.0	7.5	Natural, white
25N.100.0350.0A	M10	35	20.0	7.5	Natural, white
25N.100.0500.0A	M10	50	20.0	7.5	Natural, white
25N.100.0600.0A	M10	60	20.0	7.5	Natural, white
25N.030.0060.0BD	M 3	6	6.0	2.4	Black
25N.030.0050.0BD	M 3	5	6.0	2.4	Black
25N.025.0100.0B	M2,5	10	5.0	2.1	Black
25N.030.0040.0B	M 3	4	5.6	2.4	Black