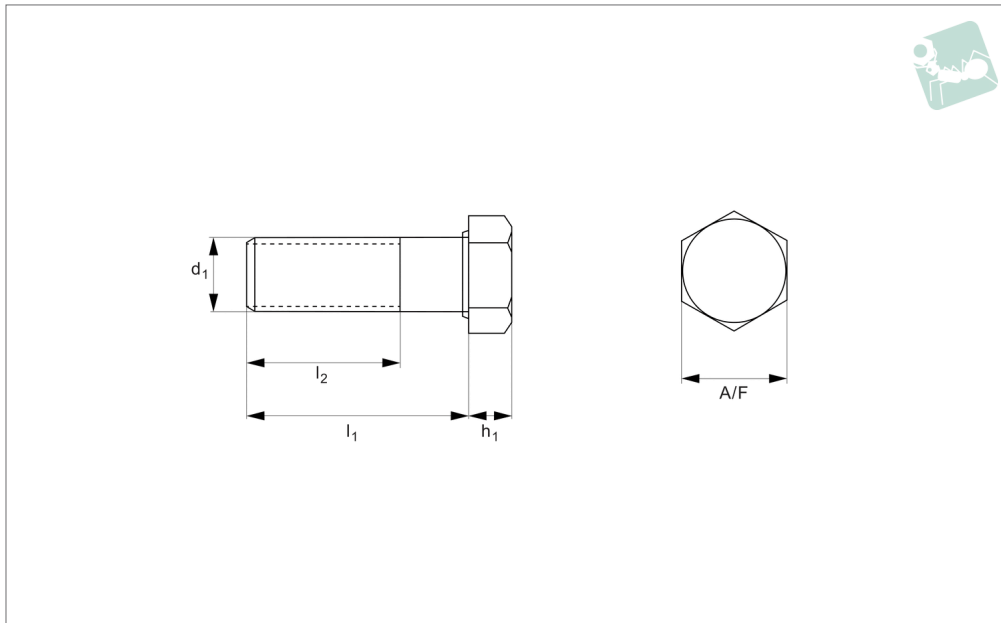




# Hexagon Head Bolts

with shank, DIN 931

Brass



**B0007.B0**

BRASS

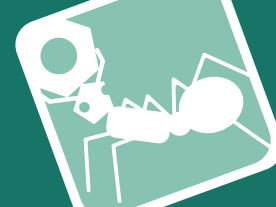
### Material

Brass, Cu3 (CuZn39Pb3).

### Technical Notes

To DIN 931, ISO 4014.

| Order No.     | Thread d <sub>1</sub> | l <sub>1</sub> | h <sub>1</sub> | l <sub>2</sub> | A/F |
|---------------|-----------------------|----------------|----------------|----------------|-----|
| B0007.050-025 | M 5                   | 25             | 3.35           | 16             | 8   |
| B0007.050-030 | M 5                   | 30             | 3.35           | 16             | 8   |
| B0007.050-035 | M 5                   | 35             | 3.35           | 16             | 8   |
| B0007.050-040 | M 5                   | 40             | 3.35           | 16             | 8   |
| B0007.050-045 | M 5                   | 45             | 3.35           | 16             | 8   |
| B0007.050-050 | M 5                   | 50             | 3.35           | 16             | 8   |
| B0007.050-055 | M 5                   | 55             | 3.35           | 16             | 8   |
| B0007.050-060 | M 5                   | 60             | 3.35           | 16             | 8   |
| B0007.050-065 | M 5                   | 65             | 3.35           | 16             | 8   |
| B0007.050-070 | M 5                   | 70             | 3.35           | 16             | 8   |
| B0007.050-075 | M 5                   | 75             | 3.35           | 16             | 8   |
| B0007.050-080 | M 5                   | 80             | 3.35           | 16             | 8   |
| B0007.050-085 | M 5                   | 85             | 3.35           | 16             | 8   |
| B0007.050-090 | M 5                   | 90             | 3.35           | 16             | 8   |
| B0007.050-095 | M 5                   | 95             | 3.35           | 16             | 8   |
| B0007.050-100 | M 5                   | 100            | 3.35           | 16             | 8   |
| B0007.060-025 | M 6                   | 25             | 3.85           | 18             | 10  |
| B0007.060-030 | M 6                   | 30             | 3.85           | 18             | 10  |
| B0007.060-035 | M 6                   | 35             | 3.85           | 18             | 10  |
| B0007.060-040 | M 6                   | 40             | 3.85           | 18             | 10  |
| B0007.060-045 | M 6                   | 45             | 3.85           | 18             | 10  |
| B0007.060-050 | M 6                   | 50             | 3.85           | 18             | 10  |
| B0007.060-055 | M 6                   | 55             | 3.85           | 18             | 10  |
| B0007.060-060 | M 6                   | 60             | 3.85           | 18             | 10  |
| B0007.060-065 | M 6                   | 65             | 3.85           | 18             | 10  |
| B0007.060-070 | M 6                   | 70             | 3.85           | 18             | 10  |
| B0007.060-075 | M 6                   | 75             | 3.85           | 18             | 10  |
| B0007.060-080 | M 6                   | 80             | 3.85           | 18             | 10  |
| B0007.060-085 | M 6                   | 85             | 3.85           | 18             | 10  |
| B0007.060-090 | M 6                   | 90             | 3.85           | 18             | 10  |
| B0007.060-100 | M 6                   | 100            | 3.85           | 18             | 10  |
| B0007.060-110 | M 6                   | 110            | 3.85           | 18             | 10  |
| B0007.060-120 | M 6                   | 120            | 3.85           | 18             | 10  |
| B0007.060-130 | M 6                   | 130            | 3.85           | 18             | 10  |
| B0007.060-140 | M 6                   | 140            | 3.85           | 18             | 10  |



| Order No.     | Thread d <sub>1</sub> | l <sub>1</sub> | h <sub>1</sub> | l <sub>2</sub> | A/F |
|---------------|-----------------------|----------------|----------------|----------------|-----|
| B0007.060-150 | M 6                   | 150            | 3.85           | 18             | 10  |
| B0007.060-160 | M 6                   | 160            | 3.85           | 18             | 10  |
| B0007.060-170 | M 6                   | 170            | 3.85           | 18             | 10  |
| B0007.060-180 | M 6                   | 180            | 3.85           | 18             | 10  |
| B0007.060-190 | M 6                   | 190            | 3.85           | 18             | 10  |
| B0007.060-200 | M 6                   | 200            | 3.85           | 18             | 10  |
| B0007.080-030 | M 8                   | 30             | 5.15           | 22             | 13  |
| B0007.080-035 | M 8                   | 35             | 5.15           | 22             | 13  |
| B0007.080-040 | M 8                   | 40             | 5.15           | 22             | 13  |
| B0007.080-045 | M 8                   | 45             | 5.15           | 22             | 13  |
| B0007.080-050 | M 8                   | 50             | 5.15           | 22             | 13  |
| B0007.080-055 | M 8                   | 55             | 5.15           | 22             | 13  |
| B0007.080-060 | M 8                   | 60             | 5.15           | 22             | 13  |
| B0007.080-065 | M 8                   | 65             | 5.15           | 22             | 13  |
| B0007.080-070 | M 8                   | 70             | 5.15           | 22             | 13  |
| B0007.080-075 | M 8                   | 75             | 5.15           | 22             | 13  |
| B0007.080-080 | M 8                   | 80             | 5.15           | 22             | 13  |
| B0007.080-085 | M 8                   | 85             | 5.15           | 22             | 13  |
| B0007.080-090 | M 8                   | 90             | 5.15           | 22             | 13  |
| B0007.080-095 | M 8                   | 95             | 5.15           | 22             | 13  |
| B0007.080-100 | M 8                   | 100            | 5.15           | 22             | 13  |
| B0007.080-110 | M 8                   | 110            | 5.15           | 22             | 13  |
| B0007.080-120 | M 8                   | 120            | 5.15           | 22             | 13  |
| B0007.080-130 | M 8                   | 130            | 5.15           | 22             | 13  |
| B0007.080-140 | M 8                   | 140            | 5.15           | 22             | 13  |
| B0007.080-150 | M 8                   | 150            | 5.15           | 22             | 13  |
| B0007.080-160 | M 8                   | 160            | 5.15           | 22             | 13  |
| B0007.080-170 | M 8                   | 170            | 5.15           | 22             | 13  |
| B0007.080-180 | M 8                   | 180            | 5.15           | 22             | 13  |
| B0007.080-190 | M 8                   | 190            | 5.15           | 22             | 13  |
| B0007.080-200 | M 8                   | 200            | 5.15           | 22             | 13  |
| B0007.080-210 | M 8                   | 210            | 5.15           | 22             | 13  |
| B0007.080-220 | M 8                   | 220            | 5.15           | 22             | 13  |
| B0007.080-230 | M 8                   | 230            | 5.15           | 22             | 13  |
| B0007.100-035 | M10                   | 35             | 6.22           | 26             | 17  |
| B0007.100-040 | M10                   | 40             | 6.22           | 26             | 17  |
| B0007.100-045 | M10                   | 45             | 6.22           | 26             | 17  |
| B0007.100-050 | M10                   | 50             | 6.22           | 26             | 17  |
| B0007.100-055 | M10                   | 55             | 6.22           | 26             | 17  |
| B0007.100-060 | M10                   | 60             | 6.22           | 26             | 17  |
| B0007.100-065 | M10                   | 65             | 6.22           | 26             | 17  |
| B0007.100-070 | M10                   | 70             | 6.22           | 26             | 17  |
| B0007.100-075 | M10                   | 75             | 6.22           | 26             | 17  |
| B0007.100-080 | M10                   | 80             | 6.22           | 26             | 17  |
| B0007.100-085 | M10                   | 85             | 6.22           | 26             | 17  |
| B0007.100-090 | M10                   | 90             | 6.22           | 26             | 17  |
| B0007.100-095 | M10                   | 95             | 6.22           | 26             | 17  |
| B0007.100-100 | M10                   | 100            | 6.22           | 26             | 17  |
| B0007.100-110 | M10                   | 110            | 6.22           | 26             | 17  |
| B0007.100-120 | M10                   | 120            | 6.22           | 26             | 17  |
| B0007.100-130 | M10                   | 130            | 6.22           | 26             | 17  |
| B0007.100-140 | M10                   | 140            | 6.22           | 26             | 17  |
| B0007.100-150 | M10                   | 150            | 6.22           | 26             | 17  |
| B0007.100-160 | M10                   | 160            | 6.22           | 26             | 17  |
| B0007.100-170 | M10                   | 170            | 6.22           | 26             | 17  |
| B0007.100-180 | M10                   | 180            | 6.22           | 26             | 17  |
| B0007.100-190 | M10                   | 190            | 6.22           | 26             | 17  |
| B0007.100-200 | M10                   | 200            | 6.22           | 26             | 17  |
| B0007.100-210 | M10                   | 210            | 6.22           | 26             | 17  |
| B0007.100-220 | M10                   | 220            | 6.22           | 26             | 17  |
| B0007.100-230 | M10                   | 230            | 6.22           | 26             | 17  |
| B0007.100-240 | M10                   | 240            | 6.22           | 26             | 17  |
| B0007.100-250 | M10                   | 250            | 6.22           | 26             | 17  |
| B0007.100-260 | M10                   | 260            | 6.22           | 26             | 17  |
| B0007.100-270 | M10                   | 270            | 6.22           | 26             | 17  |
| B0007.100-280 | M10                   | 280            | 6.22           | 26             | 17  |
| B0007.100-290 | M10                   | 290            | 6.22           | 26             | 17  |
| B0007.100-300 | M10                   | 300            | 6.22           | 26             | 17  |
| B0007.100-310 | M10                   | 310            | 6.22           | 26             | 17  |



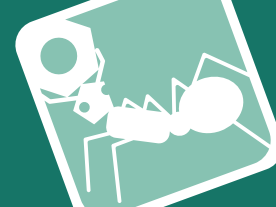
# Hexagon Head Bolts

with shank, DIN 931

Brass

| Order No.     | Thread d <sub>1</sub> | l <sub>1</sub> | h <sub>1</sub> | l <sub>2</sub> | A/F |
|---------------|-----------------------|----------------|----------------|----------------|-----|
| B0007.100-320 | M10                   | 320            | 6.22           | 26             | 17  |
| B0007.100-340 | M10                   | 340            | 6.22           | 26             | 17  |
| B0007.100-360 | M10                   | 360            | 6.22           | 26             | 17  |
| B0007.100-380 | M10                   | 380            | 6.22           | 26             | 17  |
| B0007.100-400 | M10                   | 400            | 6.22           | 26             | 17  |
| B0007.100-420 | M10                   | 420            | 6.22           | 26             | 17  |
| B0007.100-440 | M10                   | 440            | 6.22           | 26             | 17  |
| B0007.100-460 | M10                   | 460            | 6.22           | 26             | 17  |
| B0007.100-480 | M10                   | 480            | 6.22           | 26             | 17  |
| B0007.100-500 | M10                   | 500            | 6.22           | 26             | 17  |
| B0007.120-040 | M12                   | 40             | 7.32           | 30             | 19  |
| B0007.120-045 | M12                   | 45             | 7.32           | 30             | 19  |
| B0007.120-050 | M12                   | 50             | 7.32           | 30             | 19  |
| B0007.120-055 | M12                   | 55             | 7.32           | 30             | 19  |
| B0007.120-060 | M12                   | 60             | 7.32           | 30             | 19  |
| B0007.120-065 | M12                   | 65             | 7.32           | 30             | 19  |
| B0007.120-070 | M12                   | 70             | 7.32           | 30             | 19  |
| B0007.120-075 | M12                   | 75             | 7.32           | 30             | 19  |
| B0007.120-080 | M12                   | 80             | 7.32           | 30             | 19  |
| B0007.120-085 | M12                   | 85             | 7.32           | 30             | 19  |
| B0007.120-090 | M12                   | 90             | 7.32           | 30             | 19  |
| B0007.120-095 | M12                   | 95             | 7.32           | 30             | 19  |
| B0007.120-110 | M12                   | 110            | 7.32           | 30             | 19  |
| B0007.120-120 | M12                   | 120            | 7.32           | 30             | 19  |
| B0007.120-130 | M12                   | 130            | 7.32           | 30             | 19  |
| B0007.120-140 | M12                   | 140            | 7.32           | 30             | 19  |
| B0007.120-150 | M12                   | 150            | 7.32           | 30             | 19  |
| B0007.120-160 | M12                   | 160            | 7.32           | 30             | 19  |
| B0007.120-170 | M12                   | 170            | 7.32           | 30             | 19  |
| B0007.120-180 | M12                   | 180            | 7.32           | 30             | 19  |
| B0007.120-190 | M12                   | 190            | 7.32           | 30             | 19  |
| B0007.120-200 | M12                   | 200            | 7.32           | 30             | 19  |
| B0007.120-210 | M12                   | 210            | 7.32           | 30             | 19  |
| B0007.120-220 | M12                   | 220            | 7.32           | 30             | 19  |
| B0007.120-230 | M12                   | 230            | 7.32           | 30             | 19  |
| B0007.120-240 | M12                   | 240            | 7.32           | 30             | 19  |
| B0007.120-250 | M12                   | 250            | 7.32           | 30             | 19  |
| B0007.120-260 | M12                   | 260            | 7.32           | 30             | 19  |
| B0007.120-270 | M12                   | 270            | 7.32           | 30             | 19  |
| B0007.120-280 | M12                   | 280            | 7.32           | 30             | 19  |
| B0007.120-290 | M12                   | 290            | 7.32           | 30             | 19  |
| B0007.120-300 | M12                   | 300            | 7.32           | 30             | 19  |
| B0007.120-320 | M12                   | 320            | 7.32           | 30             | 19  |
| B0007.120-340 | M12                   | 340            | 7.32           | 30             | 19  |
| B0007.120-360 | M12                   | 360            | 7.32           | 30             | 19  |
| B0007.120-380 | M12                   | 380            | 7.32           | 30             | 19  |
| B0007.120-400 | M12                   | 400            | 7.32           | 30             | 19  |
| B0007.120-420 | M12                   | 420            | 7.32           | 30             | 19  |
| B0007.120-440 | M12                   | 440            | 7.32           | 30             | 19  |
| B0007.120-460 | M12                   | 460            | 7.32           | 30             | 19  |
| B0007.120-480 | M12                   | 480            | 7.32           | 30             | 19  |
| B0007.120-500 | M12                   | 500            | 7.32           | 30             | 19  |
| B0007.140-050 | M14                   | 50             | 8.62           | 34             | 22  |
| B0007.140-055 | M14                   | 55             | 8.62           | 34             | 22  |
| B0007.140-060 | M14                   | 60             | 8.62           | 34             | 22  |
| B0007.140-065 | M14                   | 65             | 8.62           | 34             | 22  |
| B0007.140-070 | M14                   | 70             | 8.62           | 34             | 22  |
| B0007.140-075 | M14                   | 75             | 8.62           | 34             | 22  |
| B0007.140-080 | M14                   | 80             | 8.62           | 34             | 22  |
| B0007.140-085 | M14                   | 85             | 8.62           | 34             | 22  |
| B0007.140-090 | M14                   | 90             | 8.62           | 34             | 22  |
| B0007.140-095 | M14                   | 95             | 8.62           | 34             | 22  |
| B0007.140-100 | M14                   | 100            | 8.62           | 34             | 22  |
| B0007.140-110 | M14                   | 110            | 8.62           | 34             | 22  |
| B0007.140-120 | M14                   | 120            | 8.62           | 34             | 22  |
| B0007.140-130 | M14                   | 130            | 8.62           | 34             | 22  |
| B0007.140-140 | M14                   | 140            | 8.62           | 34             | 22  |
| B0007.140-150 | M14                   | 150            | 8.62           | 34             | 22  |
| B0007.140-160 | M14                   | 160            | 8.62           | 34             | 22  |

BRASS



| Order No.     | Thread d <sub>1</sub> | l <sub>1</sub> | h <sub>1</sub> | l <sub>2</sub> | A/F |
|---------------|-----------------------|----------------|----------------|----------------|-----|
| B0007.140-170 | M14                   | 170            | 8.62           | 34             | 22  |
| B0007.140-180 | M14                   | 180            | 8.62           | 34             | 22  |
| B0007.140-190 | M14                   | 190            | 8.62           | 34             | 22  |
| B0007.140-200 | M14                   | 200            | 8.62           | 34             | 22  |
| B0007.140-210 | M14                   | 210            | 8.62           | 34             | 22  |
| B0007.140-220 | M14                   | 220            | 8.62           | 34             | 22  |
| B0007.140-230 | M14                   | 230            | 8.62           | 34             | 22  |
| B0007.140-240 | M14                   | 240            | 8.62           | 34             | 22  |
| B0007.140-250 | M14                   | 250            | 8.62           | 34             | 22  |
| B0007.140-260 | M14                   | 260            | 8.62           | 34             | 22  |
| B0007.140-270 | M14                   | 270            | 8.62           | 34             | 22  |
| B0007.140-280 | M14                   | 280            | 8.62           | 34             | 22  |
| B0007.160-050 | M16                   | 50             | 9.82           | 38             | 24  |
| B0007.160-055 | M16                   | 55             | 9.82           | 38             | 24  |
| B0007.160-060 | M16                   | 60             | 9.82           | 38             | 24  |
| B0007.160-065 | M16                   | 65             | 9.82           | 38             | 24  |
| B0007.160-070 | M16                   | 70             | 9.82           | 38             | 24  |
| B0007.160-075 | M16                   | 75             | 9.82           | 38             | 24  |
| B0007.160-080 | M16                   | 80             | 9.82           | 38             | 24  |
| B0007.160-085 | M16                   | 85             | 9.82           | 38             | 24  |
| B0007.160-090 | M16                   | 90             | 9.82           | 38             | 24  |
| B0007.160-095 | M16                   | 95             | 9.82           | 38             | 24  |
| B0007.160-100 | M16                   | 100            | 9.82           | 38             | 24  |
| B0007.160-110 | M16                   | 110            | 9.82           | 38             | 24  |
| B0007.160-120 | M16                   | 120            | 9.82           | 38             | 24  |
| B0007.160-130 | M16                   | 130            | 9.82           | 38             | 24  |
| B0007.160-140 | M16                   | 140            | 9.82           | 38             | 24  |
| B0007.160-150 | M16                   | 150            | 9.82           | 38             | 24  |
| B0007.160-160 | M16                   | 160            | 9.82           | 38             | 24  |
| B0007.160-170 | M16                   | 170            | 9.82           | 38             | 24  |
| B0007.160-180 | M16                   | 180            | 9.82           | 38             | 24  |
| B0007.160-190 | M16                   | 190            | 9.82           | 38             | 24  |
| B0007.160-200 | M16                   | 200            | 9.82           | 38             | 24  |
| B0007.160-210 | M16                   | 210            | 9.82           | 38             | 24  |
| B0007.160-220 | M16                   | 220            | 9.82           | 38             | 24  |
| B0007.160-230 | M16                   | 230            | 9.82           | 38             | 24  |
| B0007.160-240 | M16                   | 240            | 9.82           | 38             | 24  |
| B0007.160-250 | M16                   | 250            | 9.82           | 38             | 24  |
| B0007.160-260 | M16                   | 260            | 9.82           | 38             | 24  |
| B0007.160-270 | M16                   | 270            | 9.82           | 38             | 24  |
| B0007.160-280 | M16                   | 280            | 9.82           | 38             | 24  |
| B0007.160-290 | M16                   | 290            | 9.82           | 38             | 24  |
| B0007.160-300 | M16                   | 300            | 9.82           | 38             | 24  |
| B0007.160-320 | M16                   | 320            | 9.82           | 38             | 24  |
| B0007.160-340 | M16                   | 340            | 9.82           | 38             | 24  |
| B0007.160-360 | M16                   | 360            | 9.82           | 38             | 24  |
| B0007.160-380 | M16                   | 380            | 9.82           | 38             | 24  |
| B0007.160-400 | M16                   | 400            | 9.82           | 38             | 24  |
| B0007.160-420 | M16                   | 420            | 9.82           | 38             | 24  |
| B0007.160-440 | M16                   | 440            | 9.82           | 38             | 24  |
| B0007.160-460 | M16                   | 460            | 9.82           | 38             | 24  |
| B0007.160-480 | M16                   | 480            | 9.82           | 38             | 24  |
| B0007.160-500 | M16                   | 500            | 9.82           | 38             | 24  |
| B0007.180-060 | M18                   | 60             | 11.28          | 42             | 27  |
| B0007.180-065 | M18                   | 65             | 11.28          | 42             | 27  |
| B0007.180-070 | M18                   | 70             | 11.28          | 42             | 27  |
| B0007.180-075 | M18                   | 75             | 11.28          | 42             | 27  |
| B0007.180-080 | M18                   | 80             | 11.28          | 42             | 27  |
| B0007.180-085 | M18                   | 85             | 11.28          | 42             | 27  |
| B0007.180-090 | M18                   | 90             | 11.28          | 42             | 27  |
| B0007.180-095 | M18                   | 95             | 11.28          | 42             | 27  |
| B0007.180-100 | M18                   | 100            | 11.28          | 42             | 27  |
| B0007.180-110 | M18                   | 110            | 11.28          | 42             | 27  |
| B0007.180-120 | M18                   | 120            | 11.28          | 42             | 27  |
| B0007.180-130 | M18                   | 130            | 11.28          | 42             | 27  |
| B0007.180-140 | M18                   | 140            | 11.28          | 42             | 27  |
| B0007.180-150 | M18                   | 150            | 11.28          | 42             | 27  |
| B0007.180-160 | M18                   | 160            | 11.28          | 42             | 27  |
| B0007.180-170 | M18                   | 170            | 11.28          | 42             | 27  |



# Hexagon Head Bolts

with shank, DIN 931

Brass

| Order No.     | Thread d <sub>1</sub> | l <sub>1</sub> | h <sub>1</sub> | l <sub>2</sub> | A/F |
|---------------|-----------------------|----------------|----------------|----------------|-----|
| B0007.180-180 | M18                   | 180            | 11.28          | 42             | 27  |
| B0007.180-190 | M18                   | 190            | 11.28          | 42             | 27  |
| B0007.180-200 | M18                   | 200            | 11.28          | 42             | 27  |
| B0007.180-210 | M18                   | 210            | 11.28          | 42             | 27  |
| B0007.180-220 | M18                   | 220            | 11.28          | 42             | 27  |
| B0007.180-230 | M18                   | 230            | 11.28          | 42             | 27  |
| B0007.180-240 | M18                   | 240            | 11.28          | 42             | 27  |
| B0007.180-250 | M18                   | 250            | 11.28          | 42             | 27  |
| B0007.180-260 | M18                   | 260            | 11.28          | 42             | 27  |
| B0007.180-270 | M18                   | 270            | 11.28          | 42             | 27  |
| B0007.200-060 | M20                   | 60             | 12.28          | 46             | 30  |
| B0007.200-065 | M20                   | 65             | 12.28          | 46             | 30  |
| B0007.200-070 | M20                   | 70             | 12.28          | 46             | 30  |
| B0007.200-075 | M20                   | 75             | 12.28          | 46             | 30  |
| B0007.200-080 | M20                   | 80             | 12.28          | 46             | 30  |
| B0007.200-085 | M20                   | 85             | 12.28          | 46             | 30  |
| B0007.200-090 | M20                   | 90             | 12.28          | 46             | 30  |
| B0007.200-095 | M20                   | 95             | 12.28          | 46             | 30  |
| B0007.200-100 | M20                   | 100            | 12.28          | 46             | 30  |
| B0007.200-110 | M20                   | 110            | 12.28          | 46             | 30  |
| B0007.200-120 | M20                   | 120            | 12.28          | 46             | 30  |
| B0007.200-130 | M20                   | 130            | 12.28          | 46             | 30  |
| B0007.200-140 | M20                   | 140            | 12.28          | 46             | 30  |
| B0007.200-150 | M20                   | 150            | 12.28          | 46             | 30  |
| B0007.200-160 | M20                   | 160            | 12.28          | 46             | 30  |
| B0007.200-170 | M20                   | 170            | 12.28          | 46             | 30  |
| B0007.200-180 | M20                   | 180            | 12.28          | 46             | 30  |
| B0007.200-190 | M20                   | 190            | 12.28          | 46             | 30  |
| B0007.200-200 | M20                   | 200            | 12.28          | 46             | 30  |
| B0007.200-210 | M20                   | 210            | 12.28          | 46             | 30  |
| B0007.200-220 | M20                   | 220            | 12.28          | 46             | 30  |
| B0007.200-230 | M20                   | 230            | 12.28          | 46             | 30  |
| B0007.200-240 | M20                   | 240            | 12.28          | 46             | 30  |
| B0007.200-250 | M20                   | 250            | 12.28          | 46             | 30  |
| B0007.200-260 | M20                   | 260            | 12.28          | 46             | 30  |
| B0007.200-270 | M20                   | 270            | 12.28          | 46             | 30  |
| B0007.200-280 | M20                   | 280            | 12.28          | 46             | 30  |
| B0007.200-290 | M20                   | 290            | 12.28          | 46             | 30  |
| B0007.200-300 | M20                   | 300            | 12.28          | 46             | 30  |
| B0007.200-320 | M20                   | 320            | 12.28          | 46             | 30  |
| B0007.200-340 | M20                   | 340            | 12.28          | 46             | 30  |
| B0007.200-360 | M20                   | 360            | 12.28          | 46             | 30  |
| B0007.200-380 | M20                   | 380            | 12.28          | 46             | 30  |
| B0007.200-400 | M20                   | 400            | 12.28          | 46             | 30  |
| B0007.200-420 | M20                   | 420            | 12.28          | 46             | 30  |
| B0007.200-440 | M20                   | 440            | 12.28          | 46             | 30  |
| B0007.200-460 | M20                   | 460            | 12.28          | 46             | 30  |
| B0007.200-480 | M20                   | 480            | 12.28          | 46             | 30  |
| B0007.200-500 | M20                   | 500            | 12.28          | 46             | 30  |
| B0007.220-070 | M22                   | 70             | 13.78          | 50             | 32  |
| B0007.220-075 | M22                   | 75             | 13.78          | 50             | 32  |
| B0007.220-080 | M22                   | 80             | 13.78          | 50             | 32  |
| B0007.220-085 | M22                   | 85             | 13.78          | 50             | 32  |
| B0007.220-090 | M22                   | 90             | 13.78          | 50             | 32  |
| B0007.220-095 | M22                   | 95             | 13.78          | 50             | 32  |
| B0007.220-100 | M22                   | 100            | 13.78          | 50             | 32  |
| B0007.220-110 | M22                   | 110            | 13.78          | 50             | 32  |
| B0007.220-120 | M22                   | 120            | 13.78          | 50             | 32  |
| B0007.220-130 | M22                   | 130            | 13.78          | 50             | 32  |
| B0007.220-140 | M22                   | 140            | 13.78          | 50             | 32  |
| B0007.220-150 | M22                   | 150            | 13.78          | 50             | 32  |
| B0007.220-160 | M22                   | 160            | 13.78          | 50             | 32  |
| B0007.220-170 | M22                   | 170            | 13.78          | 50             | 32  |
| B0007.220-180 | M22                   | 180            | 13.78          | 50             | 32  |
| B0007.220-190 | M22                   | 190            | 13.78          | 50             | 32  |
| B0007.220-200 | M22                   | 200            | 13.78          | 50             | 32  |
| B0007.220-210 | M22                   | 210            | 13.78          | 50             | 32  |
| B0007.220-220 | M22                   | 220            | 13.78          | 50             | 32  |
| B0007.220-230 | M22                   | 230            | 13.78          | 50             | 32  |

BRASS



| Order No.     | Thread d <sub>1</sub> | l <sub>1</sub> | h <sub>1</sub> | l <sub>2</sub> | A/F |
|---------------|-----------------------|----------------|----------------|----------------|-----|
| B0007.220-240 | M22                   | 240            | 13.78          | 50             | 32  |
| B0007.220-250 | M22                   | 250            | 13.78          | 50             | 32  |
| B0007.220-260 | M22                   | 260            | 13.78          | 50             | 32  |
| B0007.220-270 | M22                   | 270            | 13.78          | 50             | 32  |
| B0007.220-280 | M22                   | 280            | 13.78          | 50             | 32  |
| B0007.240-070 | M24                   | 70             | 14.78          | 54             | 36  |
| B0007.240-075 | M24                   | 75             | 14.78          | 54             | 36  |
| B0007.240-080 | M24                   | 80             | 14.78          | 54             | 36  |
| B0007.240-085 | M24                   | 85             | 14.78          | 54             | 36  |
| B0007.240-090 | M24                   | 90             | 14.78          | 54             | 36  |
| B0007.240-100 | M24                   | 100            | 14.78          | 54             | 36  |
| B0007.240-110 | M24                   | 110            | 14.78          | 54             | 36  |
| B0007.240-120 | M24                   | 120            | 14.78          | 54             | 36  |
| B0007.240-130 | M24                   | 130            | 14.78          | 54             | 36  |
| B0007.240-140 | M24                   | 140            | 14.78          | 54             | 36  |
| B0007.240-150 | M24                   | 150            | 14.78          | 54             | 36  |
| B0007.240-160 | M24                   | 160            | 14.78          | 54             | 36  |
| B0007.240-170 | M24                   | 170            | 14.78          | 54             | 36  |
| B0007.240-180 | M24                   | 180            | 14.78          | 54             | 36  |
| B0007.240-190 | M24                   | 190            | 14.78          | 54             | 36  |
| B0007.240-200 | M24                   | 200            | 14.78          | 54             | 36  |
| B0007.240-210 | M24                   | 210            | 14.78          | 54             | 36  |
| B0007.240-220 | M24                   | 220            | 14.78          | 54             | 36  |
| B0007.240-230 | M24                   | 230            | 14.78          | 54             | 36  |
| B0007.240-240 | M24                   | 240            | 14.78          | 54             | 36  |
| B0007.240-250 | M24                   | 250            | 14.78          | 54             | 36  |
| B0007.240-260 | M24                   | 260            | 14.78          | 54             | 36  |
| B0007.240-270 | M24                   | 270            | 14.78          | 54             | 36  |
| B0007.240-280 | M24                   | 280            | 14.78          | 54             | 36  |
| B0007.240-290 | M24                   | 29             | 14.78          | 54             | 36  |
| B0007.240-300 | M24                   | 300            | 14.78          | 54             | 36  |
| B0007.240-320 | M24                   | 320            | 14.78          | 54             | 36  |
| B0007.240-340 | M24                   | 340            | 14.78          | 54             | 36  |
| B0007.240-360 | M24                   | 360            | 14.78          | 54             | 36  |
| B0007.240-380 | M24                   | 380            | 14.78          | 54             | 36  |
| B0007.240-400 | M24                   | 400            | 14.78          | 54             | 36  |
| B0007.240-420 | M24                   | 420            | 14.78          | 54             | 36  |
| B0007.240-440 | M24                   | 440            | 14.78          | 54             | 36  |
| B0007.240-460 | M24                   | 460            | 14.78          | 54             | 36  |
| B0007.240-480 | M24                   | 480            | 14.78          | 54             | 36  |
| B0007.240-500 | M24                   | 500            | 14.78          | 54             | 36  |
| B0007.270-080 | M27                   | 80             | 16.65          | 60             | 41  |
| B0007.270-085 | M27                   | 85             | 16.65          | 60             | 41  |
| B0007.270-090 | M27                   | 90             | 16.65          | 60             | 41  |
| B0007.270-095 | M27                   | 95             | 16.65          | 60             | 41  |
| B0007.270-100 | M27                   | 100            | 16.65          | 60             | 41  |
| B0007.270-110 | M27                   | 110            | 16.65          | 60             | 41  |
| B0007.270-120 | M27                   | 120            | 16.65          | 60             | 41  |
| B0007.270-130 | M27                   | 130            | 16.65          | 60             | 41  |
| B0007.270-140 | M27                   | 140            | 16.65          | 60             | 41  |
| B0007.270-150 | M27                   | 150            | 16.65          | 60             | 41  |
| B0007.270-160 | M27                   | 160            | 16.65          | 60             | 41  |
| B0007.270-170 | M27                   | 170            | 16.65          | 60             | 41  |
| B0007.270-180 | M27                   | 180            | 16.65          | 60             | 41  |
| B0007.270-190 | M27                   | 190            | 16.65          | 60             | 41  |
| B0007.270-200 | M27                   | 200            | 16.65          | 60             | 41  |
| B0007.270-210 | M27                   | 210            | 16.65          | 60             | 41  |
| B0007.270-220 | M27                   | 220            | 16.65          | 60             | 41  |
| B0007.270-230 | M27                   | 230            | 16.65          | 60             | 41  |
| B0007.270-240 | M27                   | 240            | 16.65          | 60             | 41  |
| B0007.270-250 | M27                   | 250            | 16.65          | 60             | 41  |
| B0007.270-260 | M27                   | 260            | 16.65          | 60             | 41  |
| B0007.270-270 | M27                   | 270            | 16.65          | 60             | 41  |
| B0007.270-280 | M27                   | 280            | 16.65          | 60             | 41  |
| B0007.270-290 | M27                   | 290            | 16.65          | 60             | 41  |
| B0007.270-300 | M27                   | 300            | 16.65          | 60             | 41  |
| B0007.270-320 | M27                   | 320            | 16.65          | 60             | 41  |
| B0007.270-340 | M27                   | 340            | 16.65          | 60             | 41  |
| B0007.300-080 | M30                   | 80             | 18.28          | 66             | 46  |



# Hexagon Head Bolts

with shank, DIN 931

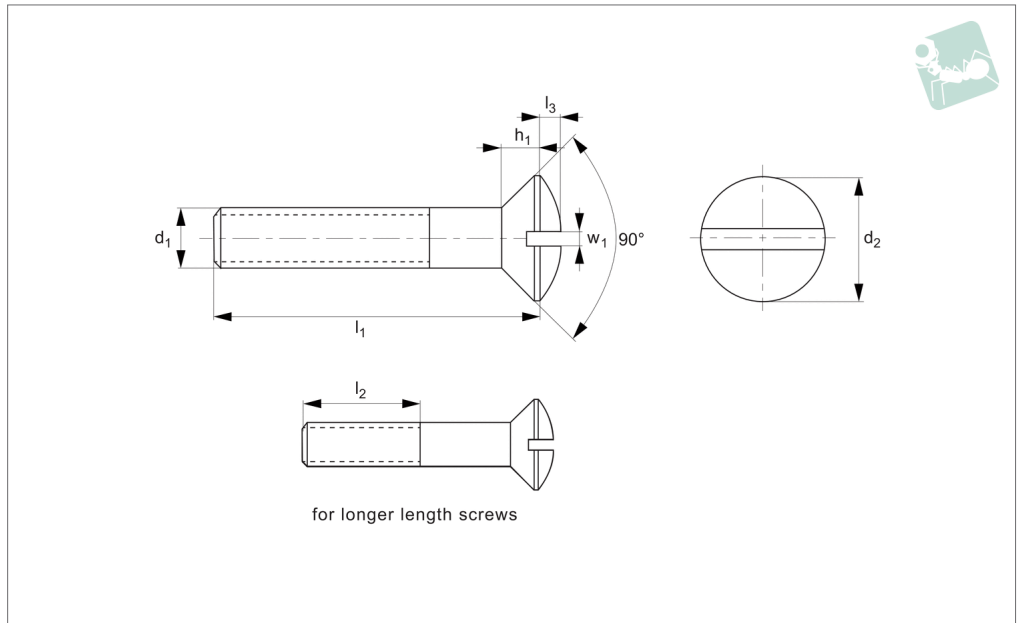
Brass

| Order No.     | Thread d <sub>1</sub> | l <sub>1</sub> | h <sub>1</sub> | l <sub>2</sub> | A/F |
|---------------|-----------------------|----------------|----------------|----------------|-----|
| B0007.300-085 | M30                   | 85             | 18.28          | 66             | 46  |
| B0007.300-090 | M30                   | 90             | 18.28          | 66             | 46  |
| B0007.300-095 | M30                   | 95             | 18.28          | 66             | 46  |
| B0007.300-100 | M30                   | 100            | 18.28          | 66             | 46  |
| B0007.300-110 | M30                   | 110            | 18.28          | 66             | 46  |
| B0007.300-120 | M30                   | 120            | 18.28          | 66             | 46  |
| B0007.300-130 | M30                   | 130            | 18.28          | 66             | 46  |
| B0007.300-140 | M30                   | 140            | 18.28          | 66             | 46  |
| B0007.300-150 | M30                   | 150            | 18.28          | 66             | 46  |
| B0007.300-160 | M30                   | 160            | 18.28          | 66             | 46  |
| B0007.300-170 | M30                   | 170            | 18.28          | 66             | 46  |
| B0007.300-180 | M30                   | 180            | 18.28          | 66             | 46  |
| B0007.300-190 | M30                   | 190            | 18.28          | 66             | 46  |
| B0007.300-200 | M30                   | 200            | 18.28          | 66             | 46  |
| B0007.300-210 | M30                   | 210            | 18.28          | 66             | 46  |
| B0007.300-220 | M30                   | 220            | 18.28          | 66             | 46  |
| B0007.300-230 | M30                   | 230            | 18.28          | 66             | 46  |
| B0007.300-240 | M30                   | 240            | 18.28          | 66             | 46  |
| B0007.300-250 | M30                   | 250            | 18.28          | 66             | 46  |
| B0007.300-260 | M30                   | 260            | 18.28          | 66             | 46  |
| B0007.300-270 | M30                   | 270            | 18.28          | 66             | 46  |
| B0007.300-280 | M30                   | 280            | 18.28          | 66             | 46  |
| B0007.300-290 | M30                   | 290            | 18.28          | 66             | 46  |
| B0007.300-300 | M30                   | 300            | 18.28          | 66             | 46  |
| B0007.330-090 | M33                   | 90             | 20.58          | 72             | 50  |
| B0007.330-095 | M33                   | 95             | 20.58          | 72             | 50  |
| B0007.330-100 | M33                   | 100            | 20.58          | 72             | 50  |
| B0007.330-110 | M33                   | 110            | 20.58          | 72             | 50  |
| B0007.330-120 | M33                   | 120            | 20.58          | 72             | 50  |
| B0007.330-130 | M33                   | 130            | 20.58          | 72             | 50  |
| B0007.330-140 | M33                   | 140            | 20.58          | 72             | 50  |
| B0007.330-150 | M33                   | 150            | 20.58          | 72             | 50  |
| B0007.330-160 | M33                   | 160            | 20.58          | 72             | 50  |
| B0007.330-170 | M33                   | 170            | 20.58          | 72             | 50  |
| B0007.330-180 | M33                   | 180            | 20.58          | 72             | 50  |
| B0007.330-190 | M33                   | 190            | 20.58          | 72             | 50  |
| B0007.330-200 | M33                   | 200            | 20.58          | 72             | 50  |
| B0007.330-210 | M33                   | 210            | 20.58          | 72             | 50  |
| B0007.330-220 | M33                   | 220            | 20.58          | 72             | 50  |
| B0007.330-230 | M33                   | 230            | 20.58          | 72             | 50  |
| B0007.330-240 | M33                   | 240            | 20.58          | 72             | 50  |
| B0007.330-250 | M33                   | 250            | 20.58          | 72             | 50  |
| B0007.330-260 | M33                   | 260            | 20.58          | 72             | 50  |
| B0007.330-270 | M33                   | 270            | 20.58          | 72             | 50  |
| B0007.330-280 | M33                   | 280            | 20.58          | 72             | 50  |
| B0007.360-100 | M36                   | 100            | 22.08          | 78             | 55  |
| B0007.360-110 | M36                   | 110            | 22.08          | 78             | 55  |
| B0007.360-120 | M36                   | 120            | 22.08          | 78             | 55  |
| B0007.360-130 | M36                   | 130            | 22.08          | 78             | 55  |
| B0007.360-140 | M36                   | 140            | 22.08          | 78             | 55  |
| B0007.360-150 | M36                   | 150            | 22.08          | 78             | 55  |
| B0007.360-160 | M36                   | 160            | 22.08          | 78             | 55  |
| B0007.360-170 | M36                   | 170            | 22.08          | 78             | 55  |
| B0007.360-180 | M36                   | 180            | 22.08          | 78             | 55  |
| B0007.360-190 | M36                   | 190            | 22.08          | 78             | 55  |
| B0007.360-200 | M36                   | 200            | 22.08          | 78             | 55  |
| B0007.360-210 | M36                   | 210            | 22.08          | 78             | 55  |
| B0007.360-220 | M36                   | 220            | 22.08          | 78             | 55  |
| B0007.360-230 | M36                   | 230            | 22.08          | 78             | 55  |
| B0007.360-240 | M36                   | 240            | 22.08          | 78             | 55  |
| B0007.360-250 | M36                   | 250            | 22.08          | 78             | 55  |
| B0007.360-260 | M36                   | 260            | 22.08          | 78             | 55  |
| B0007.360-270 | M36                   | 270            | 22.08          | 78             | 55  |
| B0007.360-280 | M36                   | 280            | 22.08          | 78             | 55  |

BRASS



**B0022.B0**



**Material**

Brass, Cu3 (Cuzn39Pb3).

lengths the threads goes all the way to the head of the screw (i.e.  $l_1 = l_2$ ) less 2.5 thread pitches.

portion  $l_2 < l_1$ .

**Technical Notes**

To DIN 964. For the majority of screw

For longer length screws the threaded

| Order No.     | $d_1$ | $l_1$ | $d_2$ | $h_1$ | $l_2$ | $w$ |
|---------------|-------|-------|-------|-------|-------|-----|
| B0022.020-005 | M 2   | 5     | 3     | 1.20  | 0.32  | 2.5 |
| B0022.020-010 | M 2   | 10    | 3     | 1.20  | 0.32  | 2.5 |
| B0022.025-008 | M2,5  | 8     | 3.8   | 1.2   | 0.4   | 3.0 |
| B0022.030-004 | M 3   | 4     | 4.7   | 1.5   | 0.5   | 3.0 |
| B0022.030-005 | M 3   | 5     | 4.7   | 1.5   | 0.5   | 3.0 |
| B0022.030-006 | M 3   | 6     | 4.7   | 1.5   | 0.5   | 3.0 |
| B0022.030-008 | M 3   | 8     | 4.7   | 1.5   | 0.5   | 3.0 |
| B0022.030-010 | M 3   | 10    | 4.7   | 1.5   | 0.5   | -   |
| B0022.030-012 | M 3   | 12    | 4.7   | 1.5   | 0.5   | 4.0 |
| B0022.030-016 | M 3   | 16    | 4.7   | 1.5   | 0.5   | 4.0 |
| B0022.030-020 | M 3   | 20    | 4.7   | 1.5   | 0.5   | 4.0 |
| B0022.030-025 | M 3   | 25    | 4.7   | 1.5   | 0.5   | 4.0 |
| B0022.030-030 | M 3   | 30    | 4.7   | 1.5   | 0.5   | 4.0 |
| B0022.040-005 | M 4   | 5     | 7.5   | 2.2   | 0.8   | 4.0 |
| B0022.040-006 | M 4   | 6     | 7.5   | 2.2   | 0.8   | 4.0 |
| B0022.040-008 | M 4   | 8     | 7.5   | 2.2   | 0.8   | 4.0 |
| B0022.040-010 | M 4   | 10    | 7.5   | 2.2   | 0.8   | 4.0 |
| B0022.040-012 | M 4   | 12    | 7.5   | 2.2   | 0.8   | 4.0 |
| B0022.040-016 | M 4   | 16    | 7.5   | 2.2   | 0.8   | 4.0 |
| B0022.040-020 | M 4   | 20    | 7.5   | 2.2   | 0.8   | 4.0 |
| B0022.040-025 | M 4   | 25    | 7.5   | 2.2   | 0.8   | -   |
| B0022.040-030 | M 4   | 30    | 7.5   | 2.2   | 0.8   | 5.0 |
| B0022.040-035 | M 4   | 35    | 7.5   | 2.2   | 0.8   | 5.0 |
| B0022.040-040 | M 4   | 40    | 7.5   | 2.2   | 0.8   | 5.0 |
| B0022.050-008 | M 5   | 8     | 9.2   | 2.5   | 1.0   | 5.0 |
| B0022.050-010 | M 5   | 10    | 9.2   | 2.5   | 1.0   | 5.0 |
| B0022.050-012 | M 5   | 12    | 9.2   | 2.5   | 1.0   | 5.0 |
| B0022.050-016 | M 5   | 16    | 9.2   | 2.5   | 1.0   | -   |
| B0022.050-020 | M 5   | 20    | 9.2   | 2.5   | 1.0   | 6.0 |
| B0022.050-025 | M 5   | 25    | 9.2   | 2.5   | 1.0   | 6.0 |
| B0022.050-030 | M 5   | 30    | 9.2   | 2.5   | 1.0   | 6.0 |
| B0022.050-035 | M 5   | 35    | 9.2   | 2.5   | 1.0   | 6.0 |
| B0022.050-040 | M 5   | 40    | 9.2   | 2.5   | 1.0   | 6.0 |
| B0022.060-010 | M 6   | 10    | 11    | 3.0   | 1.2   | 6.0 |





# Slotted Raised Csk Head Screws

DIN 964

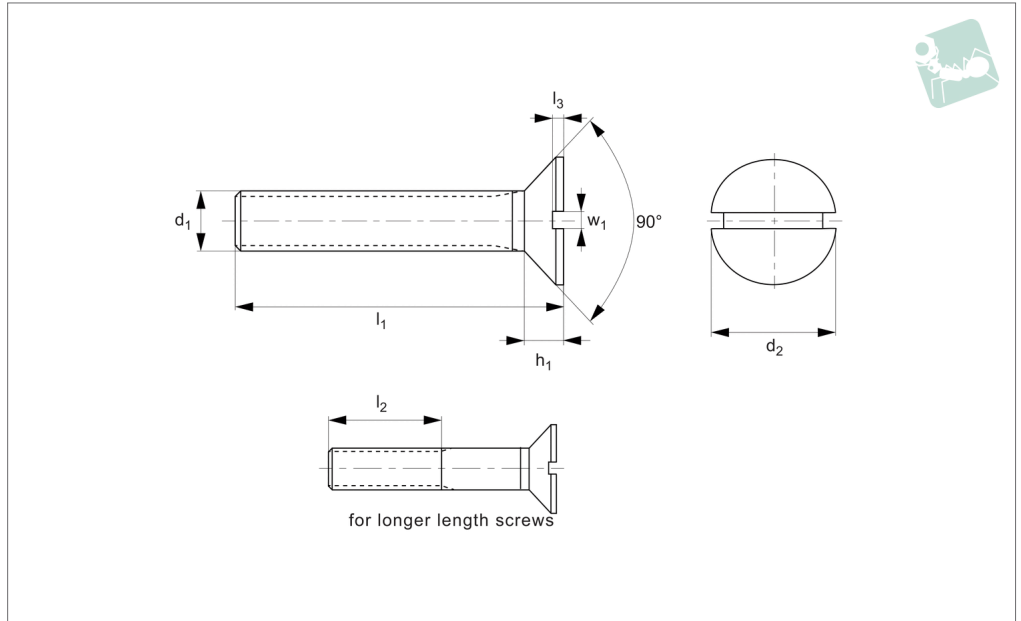
Brass

| Order No.     | d <sub>1</sub> | l <sub>1</sub> | d <sub>2</sub> | h <sub>1</sub> | l <sub>2</sub> | w   |
|---------------|----------------|----------------|----------------|----------------|----------------|-----|
| B0022.060-012 | M 6            | 12             | 11             | 3.0            | 1.2            | -   |
| B0022.060-016 | M 6            | 16             | 11             | 3.0            | 1.2            | 8.0 |
| B0022.060-020 | M 6            | 20             | 11             | 3.0            | 1.2            | 8.0 |
| B0022.060-025 | M 6            | 25             | 11             | 3.0            | 1.2            | 8.0 |
| B0022.060-030 | M 6            | 30             | 11             | 3.0            | 1.2            | 8.0 |
| B0022.060-035 | M 6            | 35             | 11             | 3.0            | 1.2            | 8.0 |
| B0022.060-040 | M 6            | 40             | 11             | 3.0            | 1.2            | 8.0 |

BRASS



**B0023.B0**



BRASS

**Material**

Brass, Cu3 (Cuzn39Pb3).

lengths the threads goes all the way to the head of the screw (i.e.  $l_1 = l_2$ ) less 2.5 thread pitches.

portion  $l_2 < l_1$ .

**Technical Notes**

To DIN 963. For the majority of screw

For longer length screws the threaded

| Order No.     | d <sub>1</sub> | l <sub>1</sub> | d <sub>2</sub> | l <sub>2</sub> | l <sub>3</sub> | h    | w   |
|---------------|----------------|----------------|----------------|----------------|----------------|------|-----|
| B0023.020-004 | M 2            | 4              | 3.8            | -              | 0.40           | 10.0 | 0.5 |
| B0023.020-005 | M 2            | 5              | 3.8            | -              | 0.40           | 10.0 | 0.5 |
| B0023.020-006 | M 2            | 6              | 3.8            | -              | 0.40           | -    | 0.5 |
| B0023.020-008 | M 2            | 8              | 3.8            | -              | 0.40           | w    | 0.5 |
| B0023.020-010 | M 2            | 10             | 3.8            | -              | 0.40           | 0.4  | 0.5 |
| B0023.025-004 | M2,5           | 4              | 4.7            | -              | 0.50           | 1.50 | 0.6 |
| B0023.025-005 | M2,5           | 5              | 4.7            | -              | 0.50           | 1.50 | 0.6 |
| B0023.025-006 | M2,5           | 6              | 4.7            | -              | 0.50           | 1.50 | 0.6 |
| B0023.025-008 | M2,5           | 8              | 4.7            | -              | 0.50           | 1.50 | 0.6 |
| B0023.025-010 | M2,5           | 10             | 4.7            | -              | 0.50           | 1.50 | 0.6 |
| B0023.025-012 | M2,5           | 12             | 4.7            | -              | 0.50           | 1.50 | 0.6 |
| B0023.025-016 | M2,5           | 16             | 4.7            | -              | 0.50           | 1.50 | 0.6 |
| B0023.030-004 | M 3            | 4              | 5.6            | -              | 0.60           | 1.65 | 0.8 |
| B0023.030-005 | M 3            | 5              | 5.6            | -              | 0.60           | 1.65 | 0.8 |
| B0023.030-006 | M 3            | 6              | 5.6            | -              | 0.60           | 1.65 | 0.8 |
| B0023.030-008 | M 3            | 8              | 5.6            | -              | 0.60           | 1.65 | 0.8 |
| B0023.030-010 | M 3            | 10             | 5.6            | -              | 0.60           | 1.65 | 0.8 |
| B0023.030-012 | M 3            | 12             | 5.6            | -              | 0.60           | 1.65 | 0.8 |
| B0023.030-016 | M 3            | 16             | 5.6            | -              | 0.60           | 1.65 | 0.8 |
| B0023.030-018 | M 3            | 18             | 5.6            | -              | 0.60           | 1.65 | 0.8 |
| B0023.030-020 | M 3            | 20             | 5.6            | 19             | 0.60           | 1.65 | 0.8 |
| B0023.030-025 | M 3            | 25             | 5.6            | 19             | 0.60           | 1.65 | 0.8 |
| B0023.030-030 | M 3            | 30             | 5.6            | 19             | 0.60           | 1.65 | 0.8 |
| B0023.030-035 | M 3            | 35             | 5.6            | 19             | 0.60           | 1.65 | 0.8 |
| B0023.030-040 | M 3            | 35             | 5.6            | 19             | 0.60           | 1.65 | 0.8 |
| B0023.030-045 | M 3            | 35             | 5.6            | 19             | 0.60           | 1.65 | 0.8 |
| B0023.030-050 | M 3            | 35             | 5.6            | 19             | 0.60           | 1.65 | 0.8 |
| B0023.040-005 | M 4            | 5              | 7.5            | -              | 0.80           | 2.20 | 1.0 |
| B0023.040-006 | M 4            | 6              | 7.5            | -              | 0.80           | 2.20 | 1.0 |
| B0023.040-008 | M 4            | 8              | 7.5            | -              | 0.80           | 2.20 | 1.0 |
| B0023.040-010 | M 4            | 10             | 7.5            | -              | 0.80           | 2.20 | 1.0 |
| B0023.040-012 | M 4            | 12             | 7.5            | -              | 0.80           | 2.20 | 1.0 |
| B0023.040-016 | M 4            | 16             | 7.5            | -              | 0.80           | 2.20 | 1.0 |
| B0023.040-018 | M 4            | 18             | 7.5            | -              | 0.80           | 2.20 | 1.0 |



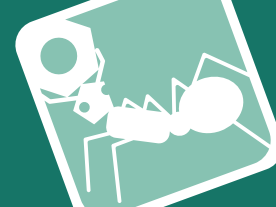
# Slotted Flat Head Csk Screws

## DIN 963

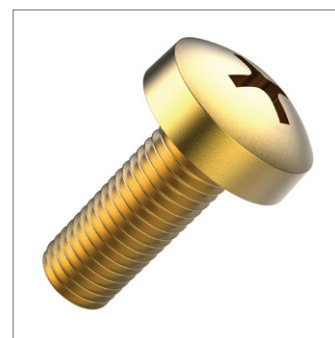
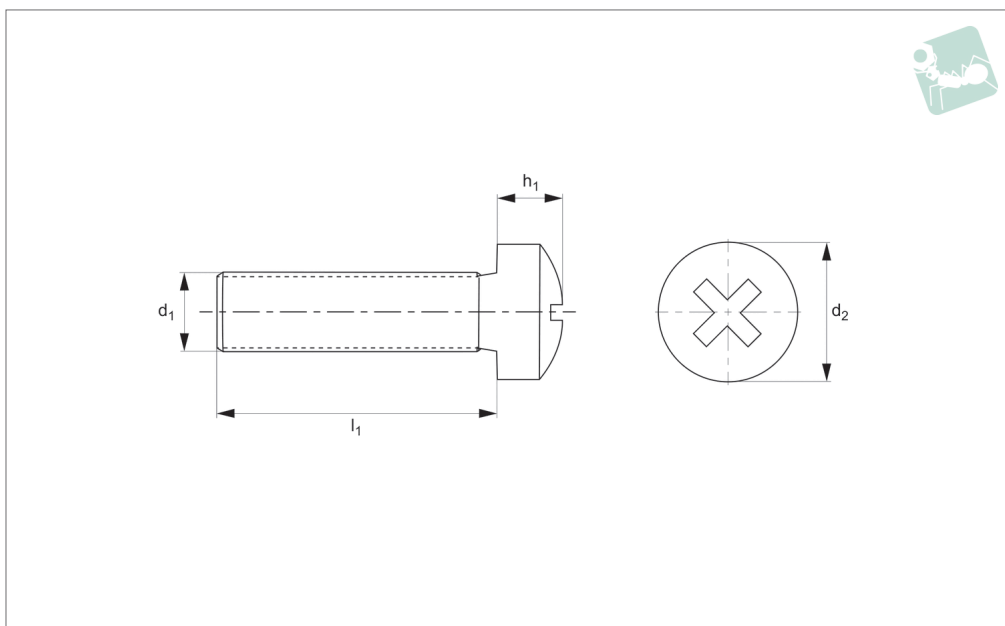
Brass

| Order No.     | d <sub>1</sub> | l <sub>1</sub> | d <sub>2</sub> | l <sub>2</sub> | l <sub>3</sub> | h    | w   |
|---------------|----------------|----------------|----------------|----------------|----------------|------|-----|
| B0023.040-020 | M 4            | 20             | 7.5            | -              | 0.80           | 2.20 | 1.0 |
| B0023.040-025 | M 4            | 25             | 7.5            | 22             | 0.80           | 2.20 | 1.0 |
| B0023.040-030 | M 4            | 30             | 7.5            | 22             | 0.80           | 2.20 | 1.0 |
| B0023.040-035 | M 4            | 35             | 7.5            | 22             | 0.80           | 2.20 | 1.0 |
| B0023.040-040 | M 4            | 40             | 7.5            | 22             | 0.80           | 2.20 | 1.0 |
| B0023.040-045 | M 4            | 45             | 7.5            | 22             | 0.80           | 2.20 | 1.0 |
| B0023.040-050 | M 4            | 50             | 7.5            | 22             | 0.80           | 2.20 | 1.0 |
| B0023.050-008 | M 5            | 8              | 9.2            | -              | 1.00           | 2.50 | 1.2 |
| B0023.050-010 | M 5            | 10             | 9.2            | -              | 1.00           | 2.50 | 1.2 |
| B0023.050-012 | M 5            | 12             | 9.2            | -              | 1.00           | 2.50 | 1.2 |
| B0023.050-016 | M 5            | 16             | 9.2            | -              | 1.00           | 2.50 | 1.2 |
| B0023.050-018 | M 5            | 18             | 9.2            | -              | 1.00           | 2.50 | 1.2 |
| B0023.050-020 | M 5            | 20             | 9.2            | -              | 1.00           | 2.50 | 1.2 |
| B0023.050-025 | M 5            | 25             | 9.2            | 25             | 1.00           | 2.50 | 1.2 |
| B0023.050-030 | M 5            | 30             | 9.2            | 25             | 1.00           | 2.50 | 1.2 |
| B0023.050-035 | M 5            | 35             | 9.2            | 25             | 1.00           | 2.50 | 1.2 |
| B0023.050-040 | M 5            | 40             | 9.2            | 25             | 1.00           | 2.50 | 1.2 |
| B0023.050-045 | M 5            | 45             | 9.2            | 25             | 1.00           | 2.50 | 1.2 |
| B0023.050-050 | M 5            | 50             | 9.2            | 25             | 1.00           | 2.50 | 1.2 |
| B0023.050-060 | M 5            | 60             | 9.2            | 25             | 1.00           | 2.50 | 1.2 |
| B0023.050-070 | M 5            | 70             | 9.2            | 25             | 1.00           | 2.50 | 1.2 |
| B0023.050-080 | M 5            | 80             | 9.2            | 25             | 1.00           | 2.50 | 1.2 |
| B0023.050-090 | M 5            | 90             | 9.2            | 25             | 1.00           | 2.50 | 1.2 |
| B0023.050-100 | M 5            | 100            | 9.2            | 25             | 1.00           | 2.50 | 1.2 |
| B0023.060-008 | M 6            | 8              | 11.0           | -              | 1.20           | 3.00 | 1.6 |
| B0023.060-010 | M 6            | 10             | 11.0           | -              | 1.20           | 3.00 | 1.6 |
| B0023.060-012 | M 6            | 12             | 11.0           | -              | 1.20           | 3.00 | 1.6 |
| B0023.060-016 | M 6            | 16             | 11.0           | -              | 1.20           | 3.00 | 1.6 |
| B0023.060-018 | M 6            | 18             | 11.0           | -              | 1.20           | 3.00 | 1.6 |
| B0023.060-020 | M 6            | 20             | 11.0           | -              | 1.20           | 3.00 | 1.6 |
| B0023.060-025 | M 6            | 25             | 11.0           | -              | 1.20           | 3.00 | 1.6 |
| B0023.060-030 | M 6            | 30             | 11.0           | 28             | 1.20           | 3.00 | 1.6 |
| B0023.060-035 | M 6            | 35             | 11.0           | 28             | 1.20           | 3.00 | 1.6 |
| B0023.060-040 | M 6            | 40             | 11.0           | 28             | 1.20           | 3.00 | 1.6 |
| B0023.060-045 | M 6            | 45             | 11.0           | 28             | 1.20           | 3.00 | 1.6 |
| B0023.060-050 | M 6            | 50             | 11.0           | 28             | 1.20           | 3.00 | 1.6 |
| B0023.060-060 | M 6            | 60             | 11.0           | 28             | 1.20           | 3.00 | 1.6 |
| B0023.060-070 | M 6            | 70             | 11.0           | 28             | 1.20           | 3.00 | 1.6 |
| B0023.060-080 | M 6            | 80             | 11.0           | 28             | 1.20           | 3.00 | 1.6 |
| B0023.060-090 | M 6            | 90             | 11.0           | 28             | 1.20           | 3.00 | 1.6 |
| B0023.060-100 | M 6            | 100            | 11.0           | 28             | 1.20           | 3.00 | 1.6 |
| B0023.080-012 | M 8            | 12             | 14.5           | -              | 1.60           | 4.0  | 2.0 |
| B0023.080-016 | M 8            | 16             | 14.5           | -              | 1.60           | 4.0  | 2.0 |
| B0023.080-018 | M 8            | 18             | 14.5           | -              | 1.60           | 4.0  | 2.0 |
| B0023.080-020 | M 8            | 20             | 14.5           | -              | 1.60           | 4.0  | 2.0 |
| B0023.080-025 | M 8            | 25             | 14.5           | -              | 1.60           | 4.0  | 2.0 |
| B0023.080-030 | M 8            | 30             | 14.5           | -              | 1.60           | 4.0  | 2.0 |
| B0023.080-035 | M 8            | 35             | 14.5           | 34             | 1.60           | 4.0  | 2.0 |
| B0023.080-040 | M 8            | 40             | 14.5           | 34             | 1.60           | 4.0  | 2.0 |
| B0023.080-045 | M 8            | 45             | 14.5           | 34             | 1.60           | 4.0  | 2.0 |
| B0023.080-050 | M 8            | 50             | 14.5           | 34             | 1.60           | 4.0  | 2.0 |
| B0023.080-060 | M 8            | 60             | 14.5           | 34             | 1.60           | 4.0  | 2.0 |
| B0023.080-070 | M 8            | 70             | 14.5           | 34             | 1.60           | 4.0  | 2.0 |
| B0023.080-080 | M 8            | 80             | 14.5           | 34             | 1.60           | 4.0  | 2.0 |
| B0023.080-090 | M 8            | 90             | 14.5           | 34             | 1.60           | 4.0  | 2.0 |
| B0023.100-020 | M10            | 20             | 18.0           | -              | 2.00           | 5.0  | 2.5 |
| B0023.100-025 | M10            | 25             | 18.0           | -              | 2.00           | 5.0  | 2.5 |
| B0023.100-030 | M10            | 30             | 18.0           | -              | 2.00           | 5.0  | 2.5 |
| B0023.100-035 | M10            | 35             | 18.0           | -              | 2.00           | 5.0  | 2.5 |
| B0023.100-040 | M10            | 40             | 18.0           | 40             | 2.00           | 5.0  | 2.5 |
| B0023.100-045 | M10            | 45             | 18.0           | 40             | 2.00           | 5.0  | 2.5 |
| B0023.100-050 | M10            | 50             | 18.0           | 40             | 2.00           | 5.0  | 2.5 |
| B0023.100-060 | M10            | 60             | 18.0           | 40             | 2.00           | 5.0  | 2.5 |
| B0023.100-070 | M10            | 70             | 18.0           | 40             | 2.00           | 5.0  | 2.5 |
| B0023.100-080 | M10            | 80             | 18.0           | 40             | 2.00           | 5.0  | 2.5 |
| B0023.100-090 | M10            | 90             | 18.0           | 40             | 2.00           | 5.0  | 2.5 |
| B0023.120-016 | M12            | 16             | 22.0           | -              | 2.40           | 6.0  | 3.0 |
| B0023.120-018 | M12            | 18             | 22.0           | -              | 2.40           | 6.0  | 3.0 |
| B0023.120-020 | M12            | 20             | 22.0           | -              | 2.40           | 6.0  | 3.0 |

BRASS



| Order No.            | d <sub>1</sub> | l <sub>1</sub> | d <sub>2</sub> | l <sub>2</sub> | l <sub>3</sub> | h   | w   |
|----------------------|----------------|----------------|----------------|----------------|----------------|-----|-----|
| <b>B0023.120-025</b> | M12            | 25             | 22.0           | -              | 2.40           | 6.0 | 3.0 |
| <b>B0023.120-030</b> | M12            | 30             | 22.0           | -              | 2.40           | 6.0 | 3.0 |
| <b>B0023.120-035</b> | M12            | 35             | 22.0           | -              | 2.40           | 6.0 | 3.0 |
| <b>B0023.120-040</b> | M12            | 40             | 22.0           | -              | 2.40           | 6.0 | 3.0 |
| <b>B0023.120-045</b> | M12            | 45             | 22.0           | 46             | 2.40           | 6.0 | 3.0 |
| <b>B0023.120-050</b> | M12            | 50             | 22.0           | 46             | 2.40           | 6.0 | 3.0 |
| <b>B0023.120-060</b> | M12            | 60             | 22.0           | 46             | 2.40           | 6.0 | 3.0 |
| <b>B0023.120-070</b> | M12            | 70             | 22.0           | 46             | 2.40           | 6.0 | 3.0 |
| <b>B0023.120-080</b> | M12            | 80             | 22.0           | 46             | 2.40           | 6.0 | 3.0 |
| <b>B0023.120-090</b> | M12            | 90             | 22.0           | 46             | 2.40           | 6.0 | 3.0 |
| <b>B0023.120-100</b> | M12            | 100            | 22.0           | 46             | 2.40           | 6.0 | 3.0 |



**B0029.B0**

BRASS

### Material

Brass, Cu3 (CuZn39Pb3).

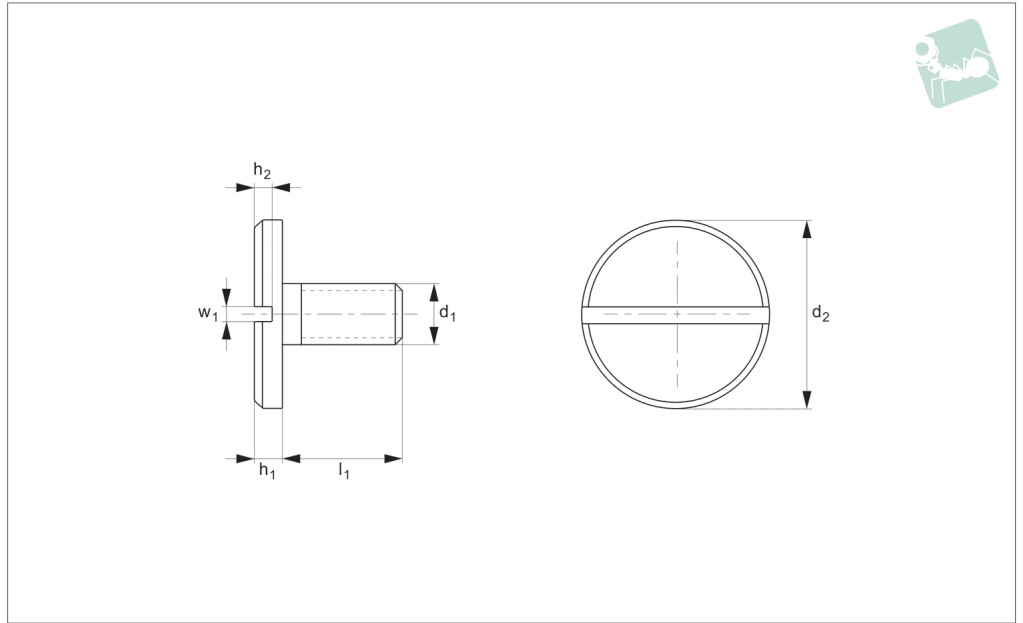
### Technical Notes

To DIN 7985. Threaded within 2,5 x pitch of head.

| Order No.     | d <sub>1</sub> | l <sub>1</sub> | d <sub>2</sub> | h <sub>1</sub> | Size |
|---------------|----------------|----------------|----------------|----------------|------|
| B0029.030-006 | M 3            | 6              | 6              | 2.4            | PH-1 |
| B0029.030-008 | M 3            | 8              | 6              | 2.4            | PH-1 |
| B0029.030-010 | M 3            | 10             | 6              | 2.4            | PH-1 |
| B0029.030-012 | M 3            | 12             | 6              | 2.4            | PH-1 |
| B0029.040-006 | M 4            | 6              | 6              | 3.1            | PH-2 |
| B0029.040-008 | M 4            | 8              | 6              | 3.1            | PH-2 |
| B0029.040-010 | M 4            | 10             | 6              | 3.1            | PH-2 |
| B0029.040-012 | M 4            | 12             | 6              | 3.1            | PH-2 |
| B0029.040-016 | M 4            | 16             | 6              | 3.1            | PH-2 |
| B0029.040-020 | M 4            | 20             | 6              | 3.1            | PH-2 |
| B0029.050-008 | M 5            | 8              | 6              | 3.8            | PH-2 |
| B0029.050-010 | M 5            | 10             | 6              | 3.8            | PH-2 |
| B0029.050-012 | M 5            | 12             | 6              | 3.8            | PH-2 |
| B0029.050-016 | M 5            | 16             | 6              | 3.8            | PH-2 |
| B0029.050-020 | M 5            | 20             | 6              | 3.8            | PH-2 |
| B0029.050-025 | M 5            | 25             | 6              | 3.8            | PH-2 |
| B0029.060-010 | M 6            | 10             | 6              | 4.6            | PH-3 |
| B0029.060-012 | M 6            | 12             | 6              | 4.6            | PH-3 |
| B0029.060-016 | M 6            | 16             | 6              | 4.6            | PH-3 |
| B0029.060-020 | M 6            | 20             | 6              | 4.6            | PH-3 |
| B0029.060-025 | M 6            | 25             | 6              | 4.6            | PH-3 |
| B0029.060-030 | M 6            | 30             | 6              | 4.6            | PH-3 |



**B0001.B0**



**Material**

Steel (zinc-plated), stainless steel (A2), or brass.

**Technical Notes**

To DIN 921.

| Order No.        | d <sub>1</sub> | l <sub>1</sub> | d <sub>2</sub> | h <sub>1</sub> | h <sub>2</sub> | w <sub>1</sub> | Material |
|------------------|----------------|----------------|----------------|----------------|----------------|----------------|----------|
| B0001.030-004    | M 3            | 4              | 8              | 1.8            | 0.9            | 0.8            | Brass    |
| B0001.030005B000 | M 3            | 5              | 8              | 1.8            | 0.9            | 0.8            | Brass    |
| B0001.030-006    | M 3            | 6              | 8              | 1.8            | 0.9            | 0.8            | Brass    |
| B0001.030008B000 | M 3            | 8              | 8              | 1.8            | 0.9            | 0.8            | Brass    |
| B0001.030010B000 | M 3            | 10             | 8              | 1.8            | 0.9            | 0.8            | Brass    |
| B0001.040005B000 | M 4            | 5              | 12             | 2.4            | 1.2            | 1.0            | Brass    |
| B0001.040006B000 | M 4            | 6              | 12             | 2.4            | 1.2            | 1.0            | Brass    |
| B0001.040008B000 | M 4            | 8              | 12             | 2.4            | 1.2            | 1.0            | Brass    |
| B0001.040010B000 | M 4            | 10             | 12             | 2.4            | 1.2            | 1.0            | Brass    |
| B0001.040012B000 | M 4            | 12             | 12             | 2.4            | 1.2            | 1.0            | Brass    |
| B0001.040016B000 | M 4            | 16             | 12             | 2.4            | 1.2            | 1.0            | Brass    |
| B0001.050008B000 | M 5            | 8              | 16             | 2.7            | 1.3            | 1.2            | Brass    |
| B0001.050010B000 | M 5            | 10             | 16             | 2.7            | 1.3            | 1.2            | Brass    |
| B0001.050012B000 | M 5            | 12             | 16             | 2.7            | 1.3            | 1.2            | Brass    |
| B0001.050016B000 | M 5            | 16             | 16             | 2.7            | 1.3            | 1.2            | Brass    |
| B0001.050020B000 | M 5            | 20             | 16             | 2.7            | 1.3            | 1.2            | Brass    |
| B0001.060010B000 | M 6            | 10             | 20             | 3.1            | 1.5            | 1.6            | Brass    |
| B0001.060012B000 | M 6            | 12             | 20             | 3.1            | 1.5            | 1.6            | Brass    |
| B0001.060016B000 | M 6            | 16             | 20             | 3.1            | 1.5            | 1.6            | Brass    |
| B0001.060020B000 | M 6            | 20             | 20             | 3.1            | 1.5            | 1.6            | Brass    |
| B0001.060025B000 | M 6            | 25             | 20             | 3.1            | 1.5            | 1.6            | Brass    |