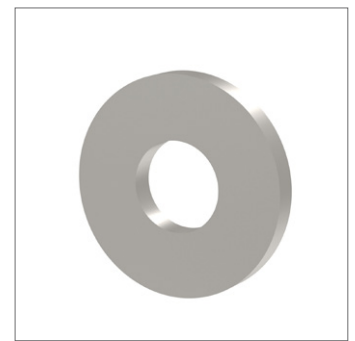
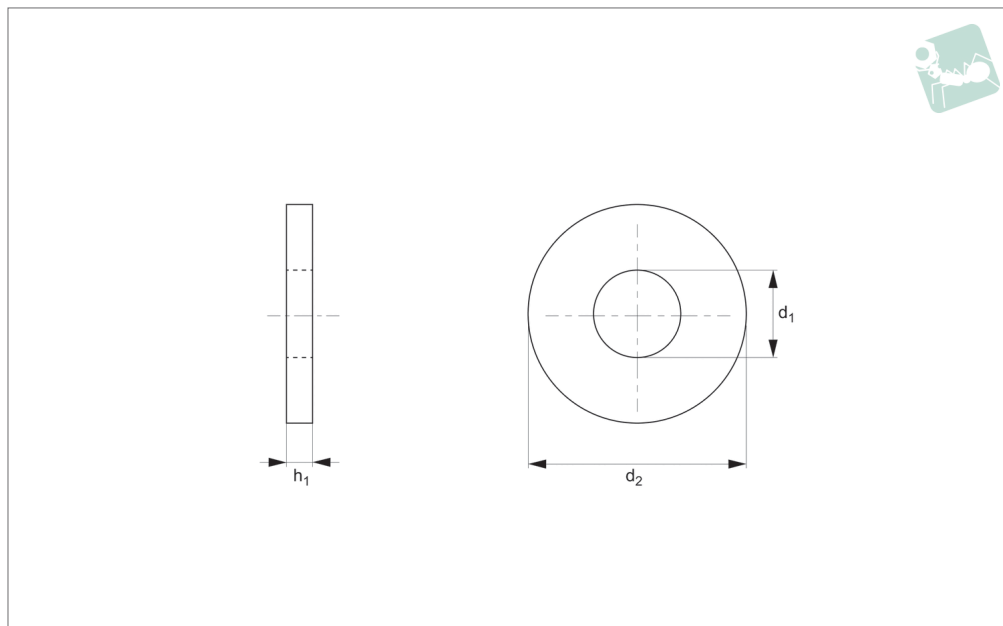




Flat Washers Form B

Brass

Brass



B0403.B0

BRASS

Material

Brass.

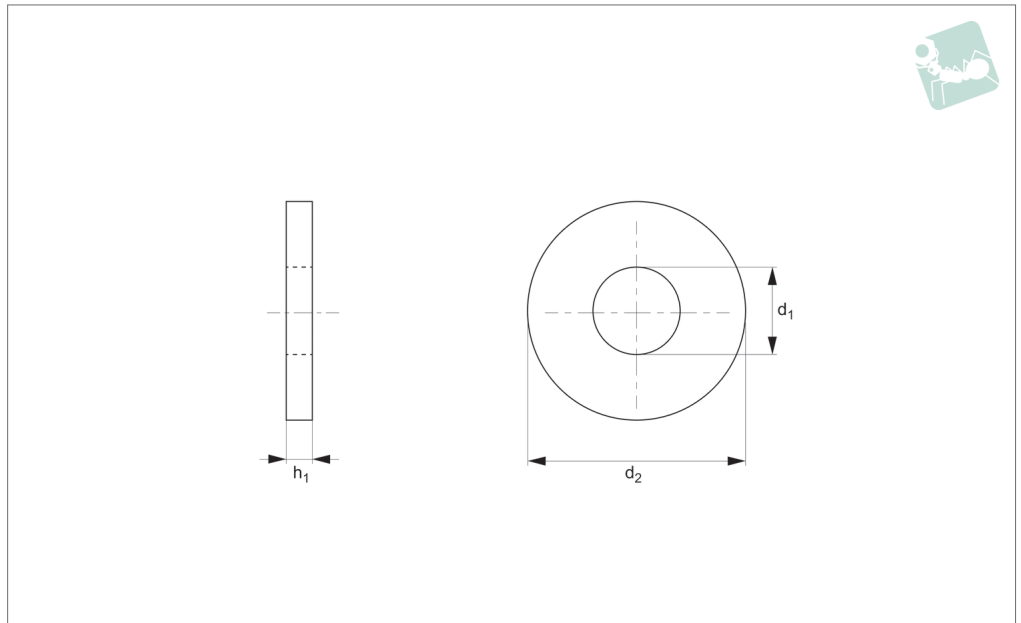
Technical Notes

To DIN 125 B, BS4320B.

| Order No. | For thread | d_1 | h_1 | d_2 | Material |
|----------------------|------------|-------|-------|-------|----------|
| B0403.080B000 | M 8 | 8.4 | 1.6 | 16 | Brass |
| B0403.100B000 | M10 | 10.5 | 2.0 | 20 | Brass |
| B0403.160B000 | M16 | 17.0 | 3.0 | 30 | Brass |
| B0403.200B000 | M20 | 21.0 | 3.0 | 37 | Brass |
| B0403.300B000 | M30 | 31.0 | 4.0 | 56 | Brass |



B0406.B0



BRASS

Material

Brass, Cu3 (Cuzn39Pb3).

Technical Notes

To DIN 433.

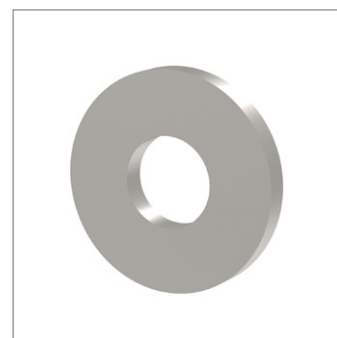
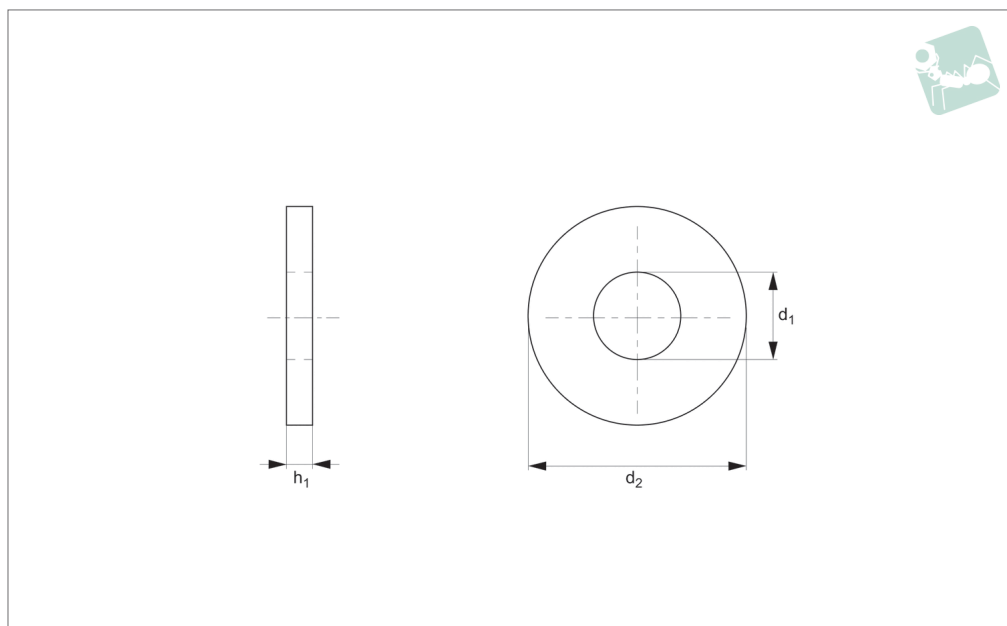
| Order No. | Thread | d ₁ | d ₂ | h ₁ | Material | Finish |
|-----------|--------|----------------|----------------|----------------|----------|------------------------|
| B0406.022 | M 2 | 2.2 | 4.5 | 0.3 | Brass | Self colour/Unfinished |
| B0406.025 | M2,5 | 2.7 | 6.0 | 0.5 | Brass | Self colour/Unfinished |
| B0406.027 | M2,5 | 2.7 | 5.0 | 0.5 | Brass | Self colour/Unfinished |
| B0406.032 | M 3 | 3.2 | 6.0 | 0.5 | Brass | Self colour/Unfinished |
| B0406.037 | M3,5 | 3.7 | 7.0 | 0.5 | Brass | Self colour/Unfinished |
| B0406.043 | M 4 | 4.3 | 8.0 | 0.8 | Brass | Self colour/Unfinished |
| B0406.053 | M 5 | 5.3 | 9.0 | 1.0 | Brass | Self colour/Unfinished |
| B0406.064 | M 6 | 6.4 | 11 | 1.6 | Brass | Self colour/Unfinished |
| B0406.084 | M 8 | 8.4 | 15 | 1.6 | Brass | Self colour/Unfinished |
| B0406.105 | M10 | 10.5 | 18 | 1.6 | Brass | Self colour/Unfinished |
| B0406.120 | M12 | 13.0 | 20 | 2.0 | Brass | Self colour/Unfinished |
| B0406.170 | M16 | 17.0 | 28 | 2.5 | Brass | Self colour/Unfinished |
| B0406.210 | M20 | 21.0 | 34 | 3.0 | Brass | Self colour/Unfinished |



Large Diameter Washers

Large Diameter- Brass

Brass



B0409.B0

BRASS

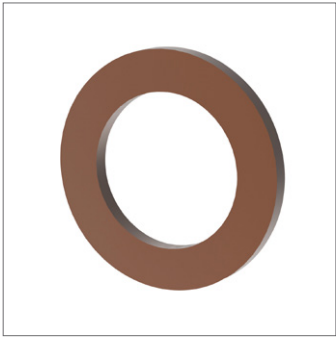
Material

Brass.

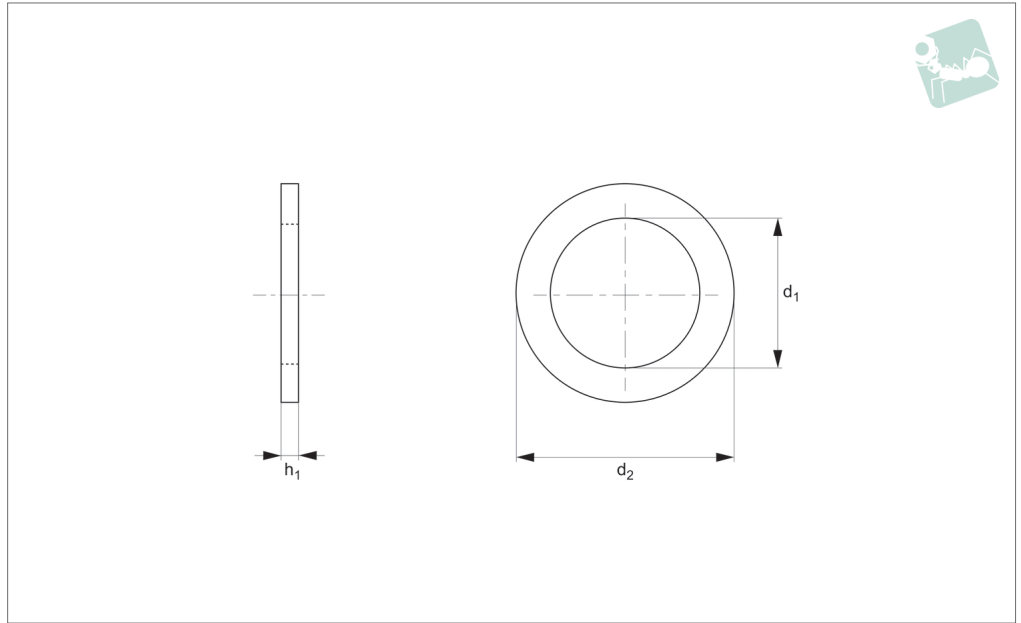
Technical Notes

To DIN 9021, ISO 7093.

| Order No. | For thread | d_1 | d_2 | h_1 | Material |
|---------------|------------|-------|-------|-------|----------|
| B0409.040B000 | M 4 | 4.3 | 12 | 1.0 | Brass |
| B0409.050B000 | M 5 | 5.3 | 15 | 1.2 | Brass |
| B0409.060B000 | M 6 | 6.4 | 18 | 1.6 | Brass |
| B0409.080B000 | M 8 | 8.4 | 24 | 2.0 | Brass |
| B0409.100B000 | M10 | 10.5 | 30 | 2.5 | Brass |
| B0409.120B000 | M12 | 13.0 | 37 | 3.0 | Brass |
| B0409.160B000 | M16 | 17.0 | 50 | 3.0 | Brass |



B0412.B6



BRASS

Material
Copper.

Technical Notes
To DIN 7603 A. Used as sealing ring for pipe connections and blanking plugs.

| Order No. | d ₁ | d ₂ | h ₁ | Suitable for DIN 908 thread | Suitable for pipe thread |
|------------------|----------------|----------------|----------------|-----------------------------|--------------------------|
| B0412.0510010B60 | 5 | 10 | 1.0 | - | - |
| B0412.0610010B60 | 6 | 10 | 1.0 | - | - |
| B0412.0710010B60 | 7 | 10 | 1.0 | - | - |
| B0412.0812010B60 | 8 | 12 | 1.0 | M 8 x 1,0 | - |
| B0412.0914010B60 | 9 | 14 | 1.0 | - | - |
| B0412.1014010B60 | 10 | 14 | 1.0 | M10 x 1,0 | G1/8" |
| B0412.1016010B60 | 10 | 16 | 1.0 | M10 x 1,0 | - |
| B0412.1420010B60 | 14 | 20 | 1.0 | - | - |
| B0412.1520010B60 | 15 | 20 | 1.0 | - | - |
| B0412.0610015B60 | 6 | 10 | 1.5 | - | - |
| B0412.0814015B60 | 8 | 14 | 1.5 | M 8 x 1,0 | - |
| B0412.0914015B60 | 9 | 14 | 1.5 | M10 x 1,0 | - |
| B0412.1014015B60 | 10 | 14 | 1.5 | M10 x 1,0 | G1/8" |
| B0412.1016015B60 | 10 | 16 | 1.5 | M10 x 1,0 | - |
| B0412.1420015B60 | 14 | 20 | 1.5 | - | - |
| B0412.1222015B60 | 14 | 22 | 1.5 | - | - |
| B0412.1520015B60 | 15 | 20 | 1.5 | - | - |
| B0412.1620015B60 | 16 | 20 | 1.5 | M16 x 1,5 | - |
| B0412.1622015B60 | 16 | 22 | 1.5 | - | - |
| B0412.1721015B60 | 17 | 21 | 1.5 | - | G3/8" |
| B0412.2126015B60 | 21 | 26 | 1.5 | - | G1/2" |
| B0412.2128015B60 | 21 | 28 | 1.5 | - | - |
| B0412.2227015B60 | 22 | 27 | 1.5 | M22 x 1,5 | - |
| B0412.2229015B60 | 22 | 29 | 1.5 | - | - |
| B0412.1019020B60 | 10 | 19 | 2.0 | - | - |
| B0412.1318020B60 | 13 | 18 | 2.0 | - | - |
| B0412.1418020B60 | 14 | 18 | 2.0 | M14 x 1,5 | G1/4" |
| B0412.2024020B60 | 20 | 24 | 2.0 | M20 x 1,5 | - |
| B0412.2128020B60 | 21 | 28 | 2.0 | - | - |
| B0412.2226020B60 | 22 | 26 | 2.0 | M22 x 1,5 | - |
| B0412.2229020B60 | 22 | 29 | 2.0 | - | - |
| B0412.2430020B60 | 24 | 30 | 2.0 | M24 x 1,5 | - |
| B0412.2432020B60 | 24 | 32 | 2.0 | - | - |
| B0412.2632020B60 | 26 | 32 | 2.0 | M26 x 1,5 | G3/4" |
| B0412.2834020B60 | 28 | 34 | 2.0 | - | - |

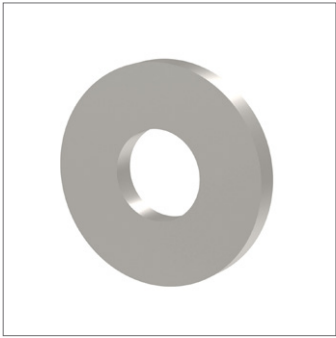


Sealing Rings copper

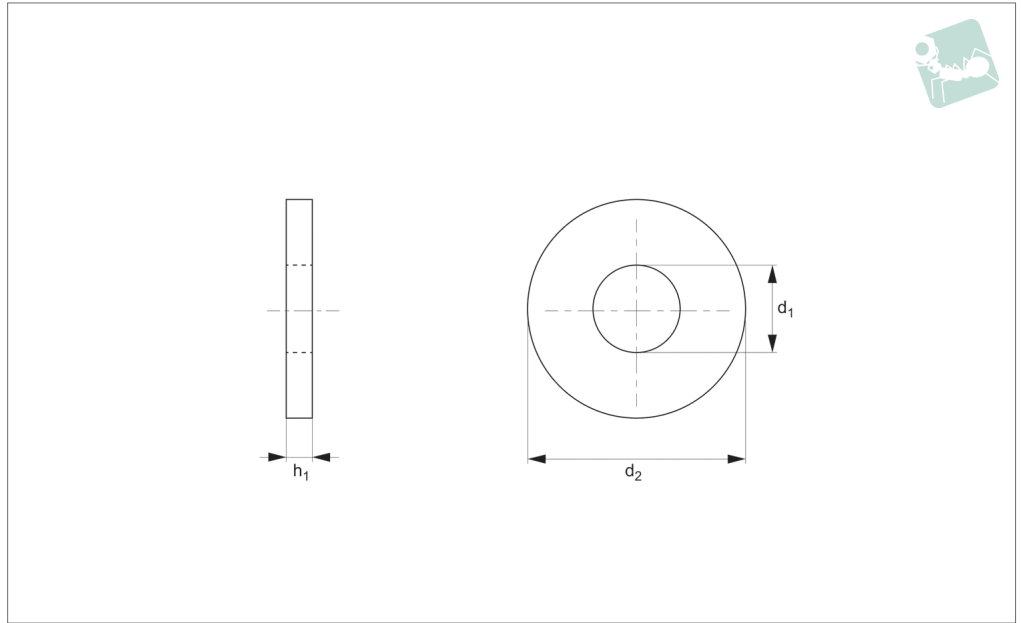
Brass

| Order No. | d ₁ | d ₂ | h ₁ | Suitable for DIN 908 thread | Suitable for pipe thread |
|-------------------------|----------------|----------------|----------------|-----------------------------|--------------------------|
| B0412.3036020B60 | 30 | 36 | 2.0 | M30 x 1,5 | G7/8" |
| B0412.3038020B60 | 30 | 38 | 2.0 | - | - |
| B0412.3238020B60 | 32 | 38 | 2.0 | - | - |
| B0412.3240020B60 | 32 | 40 | 2.0 | - | - |
| B0412.3339020B60 | 33 | 39 | 2.0 | - | G1" |
| B0412.3642020B60 | 36 | 42 | 2.0 | M36 x 2,0 | G1-1/8" |
| B0412.3844020B60 | 38 | 44 | 2.0 | M38 x 2,0 | - |
| B0412.4047020B60 | 40 | 47 | 2.0 | - | - |
| B0412.4552020B60 | 45 | 52 | 2.0 | - | - |
| B0412.5057020B60 | 50 | 57 | 2.0 | - | - |

BRASS



B0415.B0



BRASS

Material

Brass, Cu3 (CuZn39Pb3).

Technical Notes

To DIN 9021, ISO 7093.

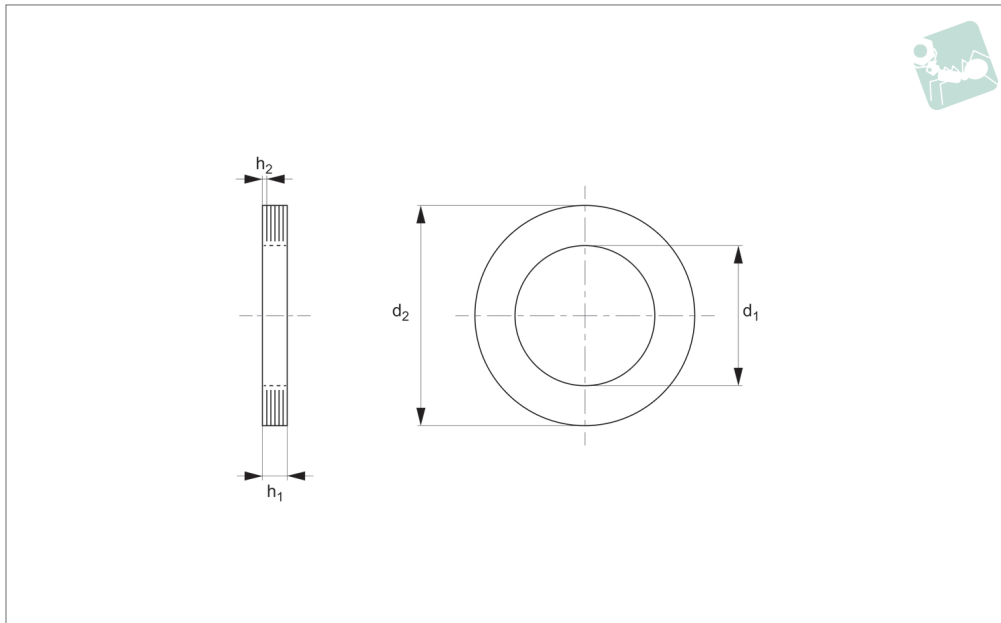
| Order No. | For thread | d ₁ | d ₂ | h ₁ | Material | Finished |
|-----------|------------|----------------|----------------|----------------|----------|------------|
| B0415.030 | M 3 | 3.2 | 9 | 0.8 | Brass | Unfinished |
| B0415.040 | M 4 | 4.3 | 12 | 1.0 | Brass | Unfinished |
| B0415.050 | M 5 | 5.3 | 15 | 1.2 | Brass | Unfinished |
| B0415.060 | M 6 | 6.4 | 18 | 1.6 | Brass | Unfinished |
| B0415.080 | M 8 | 8.4 | 24 | 2.0 | Brass | Unfinished |
| B0415.100 | M10 | 10.5 | 30 | 2.5 | Brass | Unfinished |
| B0415.120 | M12 | 13.0 | 37 | 3.0 | Brass | Unfinished |
| B0415.140 | M14 | 15.0 | 44 | 3.0 | Brass | Unfinished |
| B0415.160 | M16 | 17.0 | 50 | 3.0 | Brass | Unfinished |
| B0415.200 | M20 | 22.0 | 60 | 4.0 | Brass | Unfinished |



Laminated Shim Spacers

brass

Brass



B0418.B0

BRASS

Material

Brass, Cu3 (CuZn39Pb3). With 0,05mm laminations.

Technical Notes

The inner race spacers fits onto shafts and

preloads inner race of ball bearing.

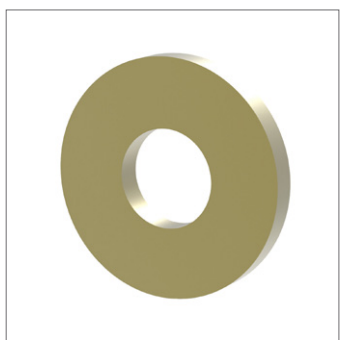
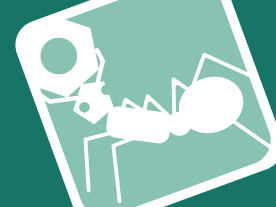
The outer race fits into the housing and preloads outer race of ball bearing.

The outer race fits into the housing and preloads outer race of ball bearing.

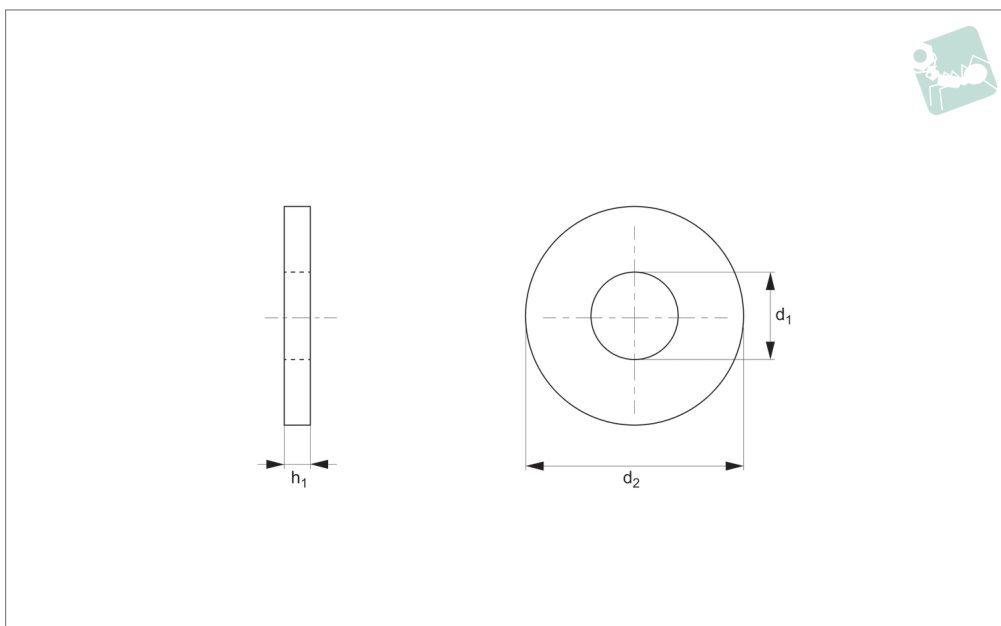
Tips

The laminations can be peeled off as required.

| Order No. | For shaft | d_1 ± 0.1 | d_2 $+0.0 -0.1$ | h_2 | h_1 ± 0.1 | Finished |
|--------------------|-----------|--------------------|----------------------|-------|--------------------|-----------|
| B0418.030-I | 3 | 3.2 | 5.9 | 0.05 | 0.8 | Laminated |
| B0418.050-I | 5 | 5.2 | 9.5 | 0.05 | 0.8 | Laminated |
| B0418.060-I | 6 | 6.2 | 12.7 | 0.05 | 0.8 | Laminated |
| B0418.100-I | 10 | 10.2 | 15.9 | 0.05 | 0.8 | Laminated |
| B0418.010-O | 10 | 7.9 | 10.0 | 0.05 | 0.8 | Laminated |
| B0418.013-O | 13 | 9.5 | 13.0 | 0.05 | 0.8 | Laminated |
| B0418.016-O | 16 | 11.1 | 16.0 | 0.05 | 0.8 | Laminated |



B0400.B0



Material
Brass.

Technical Notes
To DIN 125 A.