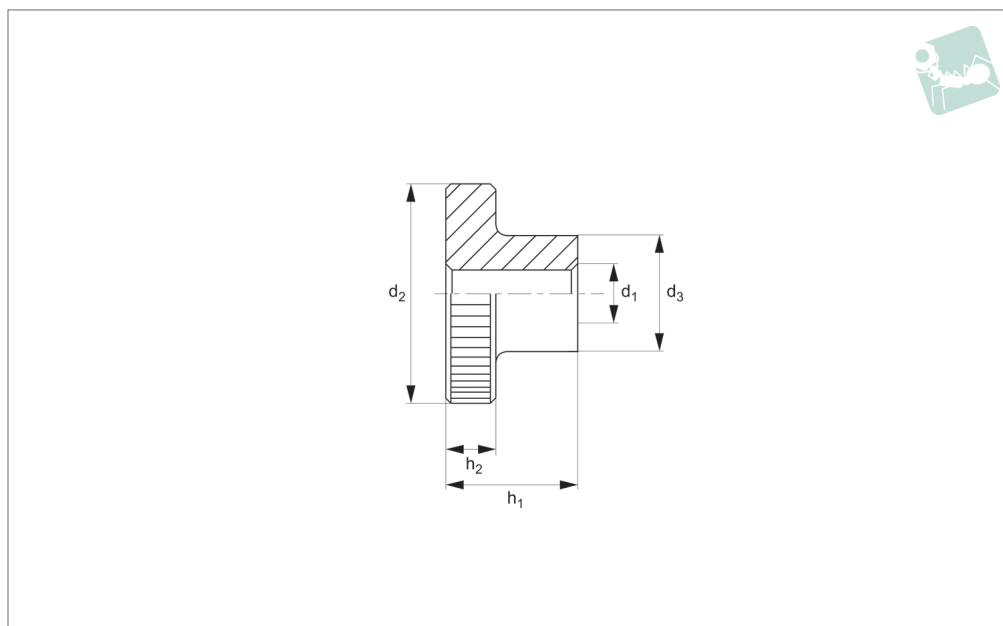




Brass Knurled Nuts

DIN 466

Brass



B0103.B0

BRASS

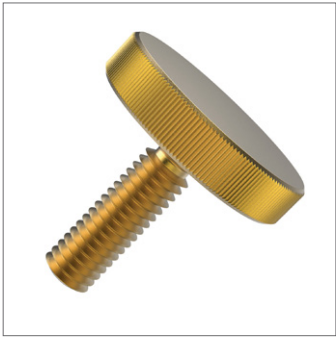
Material

Brass, Cu3 (CuZn39Pb3).

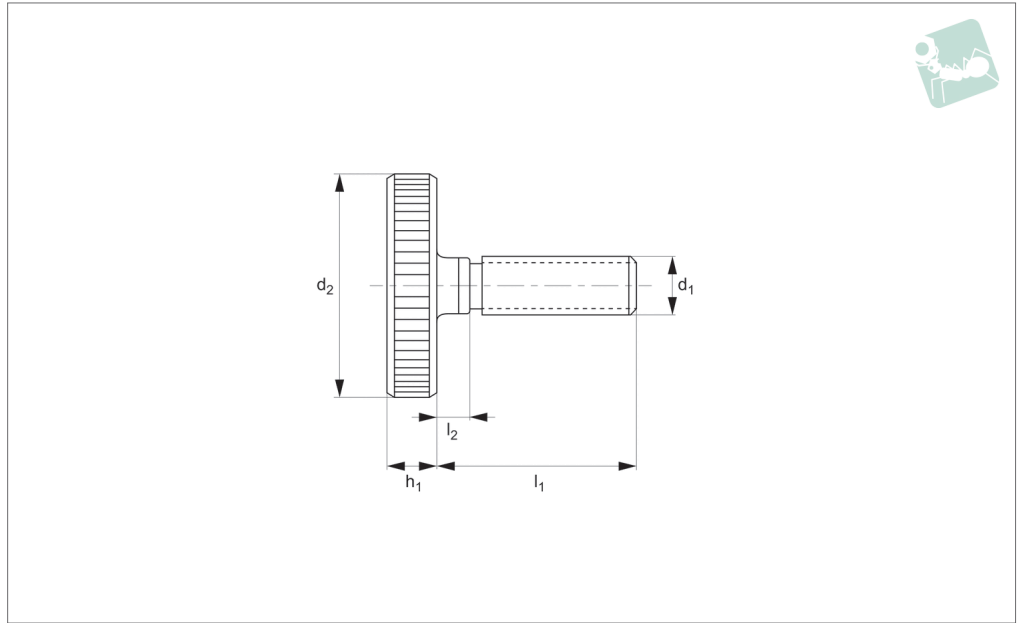
Technical Notes

To DIN 466, size M12 not contained in DIN standard.

Order No.	Thread	d_2	d_3	h_1	h_2	Material	Finish	Weight g
B0103.030	M 3	12	6.0	7.5	2.5	Brass	Self colour/Unfinished	3
B0103.040	M 4	16	8.0	9.5	3.5	Brass	Self colour/Unfinished	7
B0103.050	M 5	20	10	11.5	4.0	Brass	Self colour/Unfinished	13
B0103.060	M 6	24	12	15	5.0	Brass	Self colour/Unfinished	24
B0103.080	M 8	30	16	18	6.0	Brass	Self colour/Unfinished	46
B0103.100	M10	36	20	23	8.0	Brass	Self colour/Unfinished	83



B0106.B0



BRASS

Material

Brass, Cu3 (Cuzn39Pb3).

Technical Notes

To DIN 653.

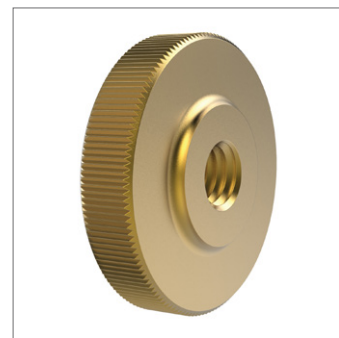
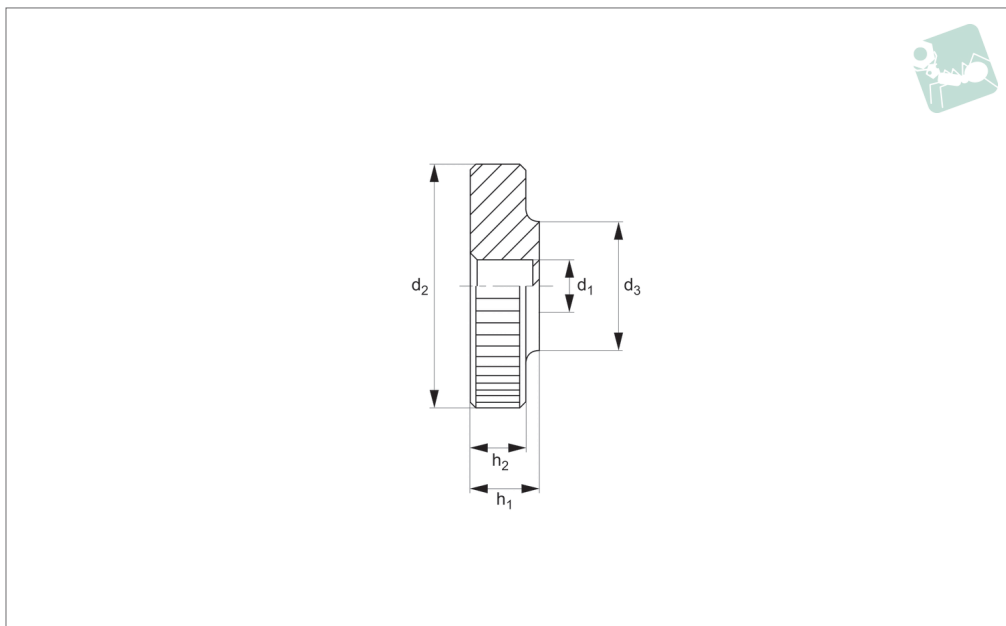
Order No.	Thread	l_1	d_2	h_1	l_2	Material	Weight g
B0106.030-006	M 3	6.0	12	2.5	2.0	Brass	2.3
B0106.030-008	M 3	8.0	12	2.5	2.0	Brass	2.4
B0106.030-010	M 3	10	12	2.5	2.0	Brass	2.5
B0106.030-012	M 3	12	12	2.5	2.0	Brass	2.6
B0106.030-016	M 3	16	12	2.5	2.0	Brass	2.7
B0106.030-020	M 3	20	12	2.5	2.0	Brass	2.7
B0106.030-025	M 3	25	12	2.5	2.0	Brass	2.7
B0106.040-008	M 4	8.0	16	3.5	3.0	Brass	6.1
B0106.040-010	M 4	10	16	3.5	3.0	Brass	6.2
B0106.040-012	M 4	12	16	3.5	3.0	Brass	6.4
B0106.040-016	M 4	16	16	3.5	3.0	Brass	6.7
B0106.040-020	M 4	20	16	3.5	3.0	Brass	6.7
B0106.040-025	M 4	25	16	3.5	3.0	Brass	6.7
B0106.050-008	M 5	8	20	4.0	3.0	Brass	11.0
B0106.050-010	M 5	10	20	4.0	3.0	Brass	11.0
B0106.050-012	M 5	12	20	4.0	3.0	Brass	11.3
B0106.050-016	M 5	16	20	4.0	3.0	Brass	11.7
B0106.050-020	M 5	20	20	4.0	3.0	Brass	12.0
B0106.050-025	M 5	25	20	4.0	3.0	Brass	12.0
B0106.050-030	M 5	30	20	4.0	3.0	Brass	12.0
B0106.060-010	M 6	10	24.0	5.0	4.0	Brass	20.0
B0106.060-012	M 6	12	24.0	5.0	4.0	Brass	20.0
B0106.060-016	M 6	16	24.0	5.0	4.0	Brass	20.4
B0106.060-020	M 6	20	24.0	5.0	4.0	Brass	21.0
B0106.060-025	M 6	25	24.0	5.0	4.0	Brass	25.0
B0106.060-030	M 6	30	24.0	5.0	4.0	Brass	22.0
B0106.060-040	M 6	40	24.0	5.0	4.0	Brass	22.0
B0106.080-016	M 8	16	30.0	6.0	5.0	Brass	40.0
B0106.080-020	M 8	20	30.0	6.0	5.0	Brass	40.0
B0106.080-025	M 8	25	30.0	6.0	5.0	Brass	42.0
B0106.080-030	M 8	30	30.0	6.0	5.0	Brass	43.0
B0106.080-040	M 8	40	30.0	6.0	5.0	Brass	45.0



Brass Flat Knurled Nuts

DIN 467

Brass



B0109.B0

BRASS

Material

Brass, Cu3 (CuZn39Pb3).

Technical Notes

To DIN 467, size M12 not contained in DIN standard.

Order No.	Thread	d ₂	d ₃	h ₁	h ₂	Material	Finish	Weight g
B0109.030	M 3	12.0	6.0	3.0	2.5	Brass	Self colour/Unfinished	2.0
B0109.040	M 4	16.0	8.0	4.0	3.5	Brass	Self colour/Unfinished	5.0
B0109.050	M 5	20.0	10.0	5.0	4.0	Brass	Self colour/Unfinished	10.0
B0109.060	M 6	24.0	12.0	6.0	5.0	Brass	Self colour/Unfinished	17.0
B0109.080	M 8	30.0	16.0	8.0	6.0	Brass	Self colour/Unfinished	33.0
B0109.100	M10	36.0	20.0	10.0	8.0	Brass	Self colour/Unfinished	63.0