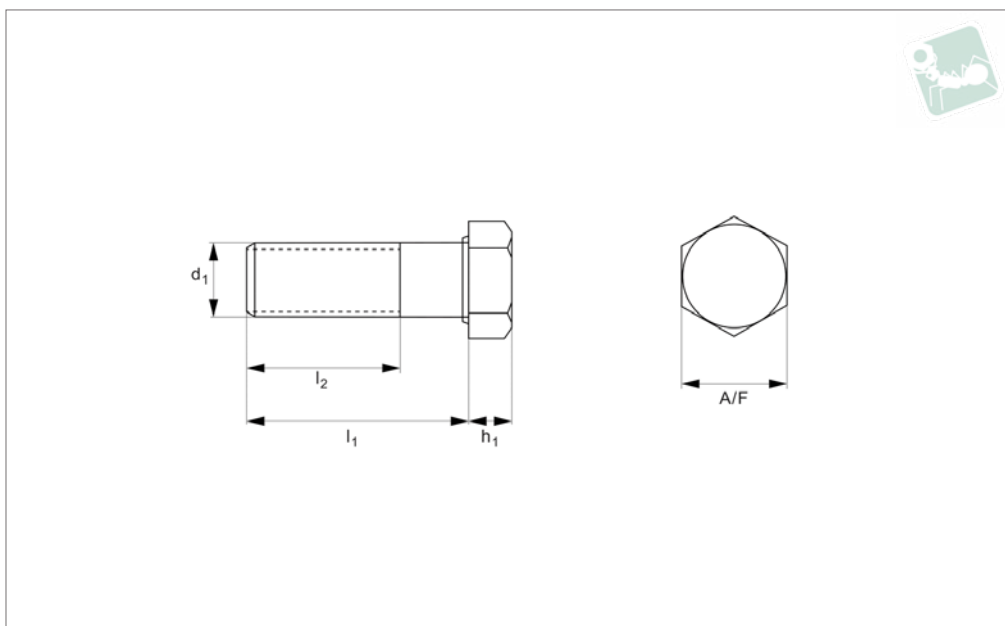




Hexagon Head Bolts

with shank, DIN 931

Brass



B0007.B0

BRASS

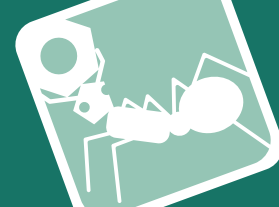
Material

Brass, Cu3 (CuZn39Pb3).

Technical Notes

To DIN 931, ISO 4014.

Order No.	Thread d ₁	l ₁	h ₁	l ₂	A/F
B0007.050-025	M 5	25	3.35	16	8
B0007.050-030	M 5	30	3.35	16	8
B0007.050-035	M 5	35	3.35	16	8
B0007.050-040	M 5	40	3.35	16	8
B0007.050-045	M 5	45	3.35	16	8
B0007.050-050	M 5	50	3.35	16	8
B0007.050-055	M 5	55	3.35	16	8
B0007.050-060	M 5	60	3.35	16	8
B0007.050-065	M 5	65	3.35	16	8
B0007.050-070	M 5	70	3.35	16	8
B0007.050-075	M 5	75	3.35	16	8
B0007.050-080	M 5	80	3.35	16	8
B0007.050-085	M 5	85	3.35	16	8
B0007.050-090	M 5	90	3.35	16	8
B0007.050-095	M 5	95	3.35	16	8
B0007.050-100	M 5	100	3.35	16	8
B0007.060-025	M 6	25	3.85	18	10
B0007.060-030	M 6	30	3.85	18	10
B0007.060-035	M 6	35	3.85	18	10
B0007.060-040	M 6	40	3.85	18	10
B0007.060-045	M 6	45	3.85	18	10
B0007.060-050	M 6	50	3.85	18	10
B0007.060-055	M 6	55	3.85	18	10
B0007.060-060	M 6	60	3.85	18	10
B0007.060-065	M 6	65	3.85	18	10
B0007.060-070	M 6	70	3.85	18	10
B0007.060-075	M 6	75	3.85	18	10
B0007.060-080	M 6	80	3.85	18	10
B0007.060-085	M 6	85	3.85	18	10
B0007.060-090	M 6	90	3.85	18	10
B0007.060-100	M 6	100	3.85	18	10
B0007.060-110	M 6	110	3.85	18	10
B0007.060-120	M 6	120	3.85	18	10
B0007.060-130	M 6	130	3.85	18	10
B0007.060-140	M 6	140	3.85	18	10



Order No.	Thread d ₁	l ₁	h ₁	l ₂	A/F
B0007.060-150	M 6	150	3.85	18	10
B0007.060-160	M 6	160	3.85	18	10
B0007.060-170	M 6	170	3.85	18	10
B0007.060-180	M 6	180	3.85	18	10
B0007.060-190	M 6	190	3.85	18	10
B0007.060-200	M 6	200	3.85	18	10
B0007.080-030	M 8	30	5.15	22	13
B0007.080-035	M 8	35	5.15	22	13
B0007.080-040	M 8	40	5.15	22	13
B0007.080-045	M 8	45	5.15	22	13
B0007.080-050	M 8	50	5.15	22	13
B0007.080-055	M 8	55	5.15	22	13
B0007.080-060	M 8	60	5.15	22	13
B0007.080-065	M 8	65	5.15	22	13
B0007.080-070	M 8	70	5.15	22	13
B0007.080-075	M 8	75	5.15	22	13
B0007.080-080	M 8	80	5.15	22	13
B0007.080-085	M 8	85	5.15	22	13
B0007.080-090	M 8	90	5.15	22	13
B0007.080-095	M 8	95	5.15	22	13
B0007.080-100	M 8	100	5.15	22	13
B0007.080-110	M 8	110	5.15	22	13
B0007.080-120	M 8	120	5.15	22	13
B0007.080-130	M 8	130	5.15	22	13
B0007.080-140	M 8	140	5.15	22	13
B0007.080-150	M 8	150	5.15	22	13
B0007.080-160	M 8	160	5.15	22	13
B0007.080-170	M 8	170	5.15	22	13
B0007.080-180	M 8	180	5.15	22	13
B0007.080-190	M 8	190	5.15	22	13
B0007.080-200	M 8	200	5.15	22	13
B0007.080-210	M 8	210	5.15	22	13
B0007.080-220	M 8	220	5.15	22	13
B0007.080-230	M 8	230	5.15	22	13
B0007.100-035	M10	35	6.22	26	17
B0007.100-040	M10	40	6.22	26	17
B0007.100-045	M10	45	6.22	26	17
B0007.100-050	M10	50	6.22	26	17
B0007.100-055	M10	55	6.22	26	17
B0007.100-060	M10	60	6.22	26	17
B0007.100-065	M10	65	6.22	26	17
B0007.100-070	M10	70	6.22	26	17
B0007.100-075	M10	75	6.22	26	17
B0007.100-080	M10	80	6.22	26	17
B0007.100-085	M10	85	6.22	26	17
B0007.100-090	M10	90	6.22	26	17
B0007.100-095	M10	95	6.22	26	17
B0007.100-100	M10	100	6.22	26	17
B0007.100-110	M10	110	6.22	26	17
B0007.100-120	M10	120	6.22	26	17
B0007.100-130	M10	130	6.22	26	17
B0007.100-140	M10	140	6.22	26	17
B0007.100-150	M10	150	6.22	26	17
B0007.100-160	M10	160	6.22	26	17
B0007.100-170	M10	170	6.22	26	17
B0007.100-180	M10	180	6.22	26	17
B0007.100-190	M10	190	6.22	26	17
B0007.100-200	M10	200	6.22	26	17
B0007.100-210	M10	210	6.22	26	17
B0007.100-220	M10	220	6.22	26	17
B0007.100-230	M10	230	6.22	26	17
B0007.100-240	M10	240	6.22	26	17
B0007.100-250	M10	250	6.22	26	17
B0007.100-260	M10	260	6.22	26	17
B0007.100-270	M10	270	6.22	26	17
B0007.100-280	M10	280	6.22	26	17
B0007.100-290	M10	290	6.22	26	17
B0007.100-300	M10	300	6.22	26	17
B0007.100-310	M10	310	6.22	26	17

Hexagon Head Bolts

with shank, DIN 931

Brass



Order No.	Thread d ₁	l ₁	h ₁	l ₂	A/F
B0007.100-320	M10	320	6.22	26	17
B0007.100-340	M10	340	6.22	26	17
B0007.100-360	M10	360	6.22	26	17
B0007.100-380	M10	380	6.22	26	17
B0007.100-400	M10	400	6.22	26	17
B0007.100-420	M10	420	6.22	26	17
B0007.100-440	M10	440	6.22	26	17
B0007.100-460	M10	460	6.22	26	17
B0007.100-480	M10	480	6.22	26	17
B0007.100-500	M10	500	6.22	26	17
B0007.120-040	M12	40	7.32	30	19
B0007.120-045	M12	45	7.32	30	19
B0007.120-050	M12	50	7.32	30	19
B0007.120-055	M12	55	7.32	30	19
B0007.120-060	M12	60	7.32	30	19
B0007.120-065	M12	65	7.32	30	19
B0007.120-070	M12	70	7.32	30	19
B0007.120-075	M12	75	7.32	30	19
B0007.120-080	M12	80	7.32	30	19
B0007.120-085	M12	85	7.32	30	19
B0007.120-090	M12	90	7.32	30	19
B0007.120-095	M12	95	7.32	30	19
B0007.120-110	M12	110	7.32	30	19
B0007.120-120	M12	120	7.32	30	19
B0007.120-130	M12	130	7.32	30	19
B0007.120-140	M12	140	7.32	30	19
B0007.120-150	M12	150	7.32	30	19
B0007.120-160	M12	160	7.32	30	19
B0007.120-170	M12	170	7.32	30	19
B0007.120-180	M12	180	7.32	30	19
B0007.120-190	M12	190	7.32	30	19
B0007.120-200	M12	200	7.32	30	19
B0007.120-210	M12	210	7.32	30	19
B0007.120-220	M12	220	7.32	30	19
B0007.120-230	M12	230	7.32	30	19
B0007.120-240	M12	240	7.32	30	19
B0007.120-250	M12	250	7.32	30	19
B0007.120-260	M12	260	7.32	30	19
B0007.120-270	M12	270	7.32	30	19
B0007.120-280	M12	280	7.32	30	19
B0007.120-290	M12	290	7.32	30	19
B0007.120-300	M12	300	7.32	30	19
B0007.120-320	M12	320	7.32	30	19
B0007.120-340	M12	340	7.32	30	19
B0007.120-360	M12	360	7.32	30	19
B0007.120-380	M12	380	7.32	30	19
B0007.120-400	M12	400	7.32	30	19
B0007.120-420	M12	420	7.32	30	19
B0007.120-440	M12	440	7.32	30	19
B0007.120-460	M12	460	7.32	30	19
B0007.120-480	M12	480	7.32	30	19
B0007.120-500	M12	500	7.32	30	19
B0007.140-050	M14	50	8.62	34	22
B0007.140-055	M14	55	8.62	34	22
B0007.140-060	M14	60	8.62	34	22
B0007.140-065	M14	65	8.62	34	22
B0007.140-070	M14	70	8.62	34	22
B0007.140-075	M14	75	8.62	34	22
B0007.140-080	M14	80	8.62	34	22
B0007.140-085	M14	85	8.62	34	22
B0007.140-090	M14	90	8.62	34	22
B0007.140-095	M14	95	8.62	34	22
B0007.140-100	M14	100	8.62	34	22
B0007.140-110	M14	110	8.62	34	22
B0007.140-120	M14	120	8.62	34	22
B0007.140-130	M14	130	8.62	34	22
B0007.140-140	M14	140	8.62	34	22
B0007.140-150	M14	150	8.62	34	22
B0007.140-160	M14	160	8.62	34	22

BRASS



Order No.	Thread d ₁	l ₁	h ₁	l ₂	A/F
B0007.140-170	M14	170	8.62	34	22
B0007.140-180	M14	180	8.62	34	22
B0007.140-190	M14	190	8.62	34	22
B0007.140-200	M14	200	8.62	34	22
B0007.140-210	M14	210	8.62	34	22
B0007.140-220	M14	220	8.62	34	22
B0007.140-230	M14	230	8.62	34	22
B0007.140-240	M14	240	8.62	34	22
B0007.140-250	M14	250	8.62	34	22
B0007.140-260	M14	260	8.62	34	22
B0007.140-270	M14	270	8.62	34	22
B0007.140-280	M14	280	8.62	34	22
B0007.160-050	M16	50	9.82	38	24
B0007.160-055	M16	55	9.82	38	24
B0007.160-060	M16	60	9.82	38	24
B0007.160-065	M16	65	9.82	38	24
B0007.160-070	M16	70	9.82	38	24
B0007.160-075	M16	75	9.82	38	24
B0007.160-080	M16	80	9.82	38	24
B0007.160-085	M16	85	9.82	38	24
B0007.160-090	M16	90	9.82	38	24
B0007.160-095	M16	95	9.82	38	24
B0007.160-100	M16	100	9.82	38	24
B0007.160-110	M16	110	9.82	38	24
B0007.160-120	M16	120	9.82	38	24
B0007.160-130	M16	130	9.82	38	24
B0007.160-140	M16	140	9.82	38	24
B0007.160-150	M16	150	9.82	38	24
B0007.160-160	M16	160	9.82	38	24
B0007.160-170	M16	170	9.82	38	24
B0007.160-180	M16	180	9.82	38	24
B0007.160-190	M16	190	9.82	38	24
B0007.160-200	M16	200	9.82	38	24
B0007.160-210	M16	210	9.82	38	24
B0007.160-220	M16	220	9.82	38	24
B0007.160-230	M16	230	9.82	38	24
B0007.160-240	M16	240	9.82	38	24
B0007.160-250	M16	250	9.82	38	24
B0007.160-260	M16	260	9.82	38	24
B0007.160-270	M16	270	9.82	38	24
B0007.160-280	M16	280	9.82	38	24
B0007.160-290	M16	290	9.82	38	24
B0007.160-300	M16	300	9.82	38	24
B0007.160-320	M16	320	9.82	38	24
B0007.160-340	M16	340	9.82	38	24
B0007.160-360	M16	360	9.82	38	24
B0007.160-380	M16	380	9.82	38	24
B0007.160-400	M16	400	9.82	38	24
B0007.160-420	M16	420	9.82	38	24
B0007.160-440	M16	440	9.82	38	24
B0007.160-460	M16	460	9.82	38	24
B0007.160-480	M16	480	9.82	38	24
B0007.160-500	M16	500	9.82	38	24
B0007.180-060	M18	60	11.28	42	27
B0007.180-065	M18	65	11.28	42	27
B0007.180-070	M18	70	11.28	42	27
B0007.180-075	M18	75	11.28	42	27
B0007.180-080	M18	80	11.28	42	27
B0007.180-085	M18	85	11.28	42	27
B0007.180-090	M18	90	11.28	42	27
B0007.180-095	M18	95	11.28	42	27
B0007.180-100	M18	100	11.28	42	27
B0007.180-110	M18	110	11.28	42	27
B0007.180-120	M18	120	11.28	42	27
B0007.180-130	M18	130	11.28	42	27
B0007.180-140	M18	140	11.28	42	27
B0007.180-150	M18	150	11.28	42	27
B0007.180-160	M18	160	11.28	42	27
B0007.180-170	M18	170	11.28	42	27



Hexagon Head Bolts

with shank, DIN 931

Brass

Order No.	Thread d ₁	l ₁	h ₁	l ₂	A/F
B0007.180-180	M18	180	11.28	42	27
B0007.180-190	M18	190	11.28	42	27
B0007.180-200	M18	200	11.28	42	27
B0007.180-210	M18	210	11.28	42	27
B0007.180-220	M18	220	11.28	42	27
B0007.180-230	M18	230	11.28	42	27
B0007.180-240	M18	240	11.28	42	27
B0007.180-250	M18	250	11.28	42	27
B0007.180-260	M18	260	11.28	42	27
B0007.180-270	M18	270	11.28	42	27
B0007.200-060	M20	60	12.28	46	30
B0007.200-065	M20	65	12.28	46	30
B0007.200-070	M20	70	12.28	46	30
B0007.200-075	M20	75	12.28	46	30
B0007.200-080	M20	80	12.28	46	30
B0007.200-085	M20	85	12.28	46	30
B0007.200-090	M20	90	12.28	46	30
B0007.200-095	M20	95	12.28	46	30
B0007.200-100	M20	100	12.28	46	30
B0007.200-110	M20	110	12.28	46	30
B0007.200-120	M20	120	12.28	46	30
B0007.200-130	M20	130	12.28	46	30
B0007.200-140	M20	140	12.28	46	30
B0007.200-150	M20	150	12.28	46	30
B0007.200-160	M20	160	12.28	46	30
B0007.200-170	M20	170	12.28	46	30
B0007.200-180	M20	180	12.28	46	30
B0007.200-190	M20	190	12.28	46	30
B0007.200-200	M20	200	12.28	46	30
B0007.200-210	M20	210	12.28	46	30
B0007.200-220	M20	220	12.28	46	30
B0007.200-230	M20	230	12.28	46	30
B0007.200-240	M20	240	12.28	46	30
B0007.200-250	M20	250	12.28	46	30
B0007.200-260	M20	260	12.28	46	30
B0007.200-270	M20	270	12.28	46	30
B0007.200-280	M20	280	12.28	46	30
B0007.200-290	M20	290	12.28	46	30
B0007.200-300	M20	300	12.28	46	30
B0007.200-320	M20	320	12.28	46	30
B0007.200-340	M20	340	12.28	46	30
B0007.200-360	M20	360	12.28	46	30
B0007.200-380	M20	380	12.28	46	30
B0007.200-400	M20	400	12.28	46	30
B0007.200-420	M20	420	12.28	46	30
B0007.200-440	M20	440	12.28	46	30
B0007.200-460	M20	460	12.28	46	30
B0007.200-480	M20	480	12.28	46	30
B0007.200-500	M20	500	12.28	46	30
B0007.220-070	M22	70	13.78	50	32
B0007.220-075	M22	75	13.78	50	32
B0007.220-080	M22	80	13.78	50	32
B0007.220-085	M22	85	13.78	50	32
B0007.220-090	M22	90	13.78	50	32
B0007.220-095	M22	95	13.78	50	32
B0007.220-100	M22	100	13.78	50	32
B0007.220-110	M22	110	13.78	50	32
B0007.220-120	M22	120	13.78	50	32
B0007.220-130	M22	130	13.78	50	32
B0007.220-140	M22	140	13.78	50	32
B0007.220-150	M22	150	13.78	50	32
B0007.220-160	M22	160	13.78	50	32
B0007.220-170	M22	170	13.78	50	32
B0007.220-180	M22	180	13.78	50	32
B0007.220-190	M22	190	13.78	50	32
B0007.220-200	M22	200	13.78	50	32
B0007.220-210	M22	210	13.78	50	32
B0007.220-220	M22	220	13.78	50	32
B0007.220-230	M22	230	13.78	50	32

BRASS



Order No.	Thread d ₁	l ₁	h ₁	l ₂	A/F
B0007.220-240	M22	240	13.78	50	32
B0007.220-250	M22	250	13.78	50	32
B0007.220-260	M22	260	13.78	50	32
B0007.220-270	M22	270	13.78	50	32
B0007.220-280	M22	280	13.78	50	32
B0007.240-070	M24	70	14.78	54	36
B0007.240-075	M24	75	14.78	54	36
B0007.240-080	M24	80	14.78	54	36
B0007.240-085	M24	85	14.78	54	36
B0007.240-090	M24	90	14.78	54	36
B0007.240-100	M24	100	14.78	54	36
B0007.240-110	M24	110	14.78	54	36
B0007.240-120	M24	120	14.78	54	36
B0007.240-130	M24	130	14.78	54	36
B0007.240-140	M24	140	14.78	54	36
B0007.240-150	M24	150	14.78	54	36
B0007.240-160	M24	160	14.78	54	36
B0007.240-170	M24	170	14.78	54	36
B0007.240-180	M24	180	14.78	54	36
B0007.240-190	M24	190	14.78	54	36
B0007.240-200	M24	200	14.78	54	36
B0007.240-210	M24	210	14.78	54	36
B0007.240-220	M24	220	14.78	54	36
B0007.240-230	M24	230	14.78	54	36
B0007.240-240	M24	240	14.78	54	36
B0007.240-250	M24	250	14.78	54	36
B0007.240-260	M24	260	14.78	54	36
B0007.240-270	M24	270	14.78	54	36
B0007.240-280	M24	280	14.78	54	36
B0007.240-290	M24	29	14.78	54	36
B0007.240-300	M24	300	14.78	54	36
B0007.240-320	M24	320	14.78	54	36
B0007.240-340	M24	340	14.78	54	36
B0007.240-360	M24	360	14.78	54	36
B0007.240-380	M24	380	14.78	54	36
B0007.240-400	M24	400	14.78	54	36
B0007.240-420	M24	420	14.78	54	36
B0007.240-440	M24	440	14.78	54	36
B0007.240-460	M24	460	14.78	54	36
B0007.240-480	M24	480	14.78	54	36
B0007.240-500	M24	500	14.78	54	36
B0007.270-080	M27	80	16.65	60	41
B0007.270-085	M27	85	16.65	60	41
B0007.270-090	M27	90	16.65	60	41
B0007.270-095	M27	95	16.65	60	41
B0007.270-100	M27	100	16.65	60	41
B0007.270-110	M27	110	16.65	60	41
B0007.270-120	M27	120	16.65	60	41
B0007.270-130	M27	130	16.65	60	41
B0007.270-140	M27	140	16.65	60	41
B0007.270-150	M27	150	16.65	60	41
B0007.270-160	M27	160	16.65	60	41
B0007.270-170	M27	170	16.65	60	41
B0007.270-180	M27	180	16.65	60	41
B0007.270-190	M27	190	16.65	60	41
B0007.270-200	M27	200	16.65	60	41
B0007.270-210	M27	210	16.65	60	41
B0007.270-220	M27	220	16.65	60	41
B0007.270-230	M27	230	16.65	60	41
B0007.270-240	M27	240	16.65	60	41
B0007.270-250	M27	250	16.65	60	41
B0007.270-260	M27	260	16.65	60	41
B0007.270-270	M27	270	16.65	60	41
B0007.270-280	M27	280	16.65	60	41
B0007.270-290	M27	290	16.65	60	41
B0007.270-300	M27	300	16.65	60	41
B0007.270-320	M27	320	16.65	60	41
B0007.270-340	M27	340	16.65	60	41
B0007.300-080	M30	80	18.28	66	46



Hexagon Head Bolts

with shank, DIN 931

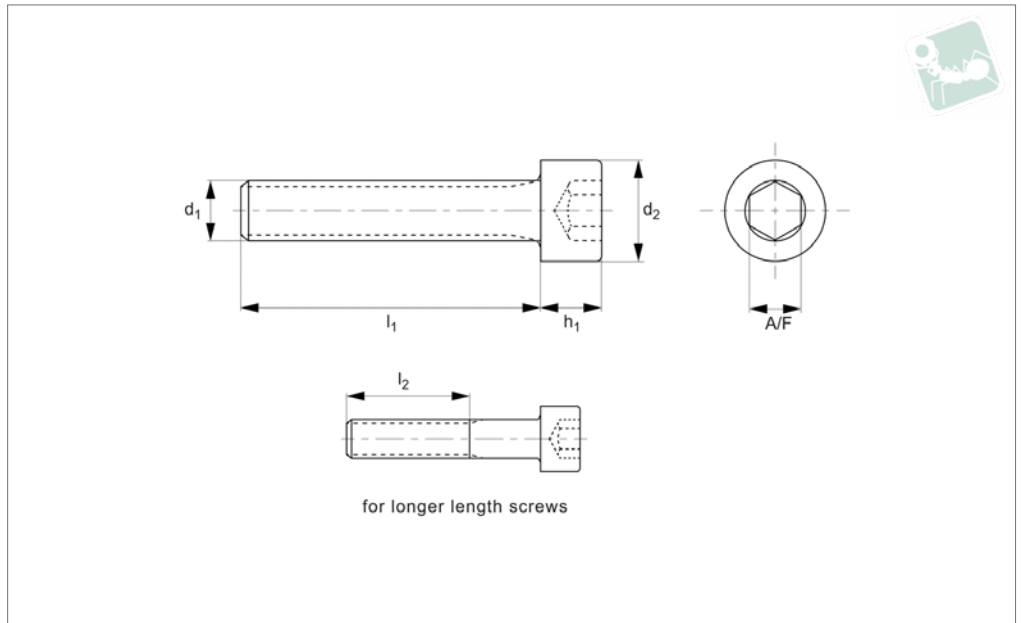
Brass

Order No.	Thread d ₁	l ₁	h ₁	l ₂	A/F
B0007.300-085	M30	85	18.28	66	46
B0007.300-090	M30	90	18.28	66	46
B0007.300-095	M30	95	18.28	66	46
B0007.300-100	M30	100	18.28	66	46
B0007.300-110	M30	110	18.28	66	46
B0007.300-120	M30	120	18.28	66	46
B0007.300-130	M30	130	18.28	66	46
B0007.300-140	M30	140	18.28	66	46
B0007.300-150	M30	150	18.28	66	46
B0007.300-160	M30	160	18.28	66	46
B0007.300-170	M30	170	18.28	66	46
B0007.300-180	M30	180	18.28	66	46
B0007.300-190	M30	190	18.28	66	46
B0007.300-200	M30	200	18.28	66	46
B0007.300-210	M30	210	18.28	66	46
B0007.300-220	M30	220	18.28	66	46
B0007.300-230	M30	230	18.28	66	46
B0007.300-240	M30	240	18.28	66	46
B0007.300-250	M30	250	18.28	66	46
B0007.300-260	M30	260	18.28	66	46
B0007.300-270	M30	270	18.28	66	46
B0007.300-280	M30	280	18.28	66	46
B0007.300-290	M30	290	18.28	66	46
B0007.300-300	M30	300	18.28	66	46
B0007.330-090	M33	90	20.58	72	50
B0007.330-095	M33	95	20.58	72	50
B0007.330-100	M33	100	20.58	72	50
B0007.330-110	M33	110	20.58	72	50
B0007.330-120	M33	120	20.58	72	50
B0007.330-130	M33	130	20.58	72	50
B0007.330-140	M33	140	20.58	72	50
B0007.330-150	M33	150	20.58	72	50
B0007.330-160	M33	160	20.58	72	50
B0007.330-170	M33	170	20.58	72	50
B0007.330-180	M33	180	20.58	72	50
B0007.330-190	M33	190	20.58	72	50
B0007.330-200	M33	200	20.58	72	50
B0007.330-210	M33	210	20.58	72	50
B0007.330-220	M33	220	20.58	72	50
B0007.330-230	M33	230	20.58	72	50
B0007.330-240	M33	240	20.58	72	50
B0007.330-250	M33	250	20.58	72	50
B0007.330-260	M33	260	20.58	72	50
B0007.330-270	M33	270	20.58	72	50
B0007.330-280	M33	280	20.58	72	50
B0007.360-100	M36	100	22.08	78	55
B0007.360-110	M36	110	22.08	78	55
B0007.360-120	M36	120	22.08	78	55
B0007.360-130	M36	130	22.08	78	55
B0007.360-140	M36	140	22.08	78	55
B0007.360-150	M36	150	22.08	78	55
B0007.360-160	M36	160	22.08	78	55
B0007.360-170	M36	170	22.08	78	55
B0007.360-180	M36	180	22.08	78	55
B0007.360-190	M36	190	22.08	78	55
B0007.360-200	M36	200	22.08	78	55
B0007.360-210	M36	210	22.08	78	55
B0007.360-220	M36	220	22.08	78	55
B0007.360-230	M36	230	22.08	78	55
B0007.360-240	M36	240	22.08	78	55
B0007.360-250	M36	250	22.08	78	55
B0007.360-260	M36	260	22.08	78	55
B0007.360-270	M36	270	22.08	78	55
B0007.360-280	M36	280	22.08	78	55

BRASS



B0020.B0



Material

Brass, Cu3 (Cuzn39pb3).

lengths the threads goes all the way to the head of the screw (i.e. $l_1 = l_2$) less 2.5 thread pitches.

portion $l_2 < l_1$.

Technical Notes

To DIN 912. For the majority of screw

For longer length screws the threaded

Order No.	d_1	l_1	d_2	h_1	l_2	A/F
B0020.030-005	M 3	5	5.5	3	-	2.5
B0020.030-006	M 3	6	5.5	3	-	2.5
B0020.030-008	M 3	8	5.5	3	-	2.5
B0020.030-010	M 3	10	5.5	3	-	2.5
B0020.030-012	M 3	12	5.5	3	-	2.5
B0020.030-020	M 3	20	5.5	3	18	2.5
B0020.030-025	M 3	25	5.5	3	18	2.5
B0020.040-006	M 4	6	7	4	-	3
B0020.040-008	M 4	8	7	4	-	3
B0020.040-010	M 4	10	7	4	-	3
B0020.040-012	M 4	12	7	4	-	3
B0020.040-016	M 4	16	7	4	-	3
B0020.040-020	M 4	20	7	4	20	3
B0020.040-025	M 4	25	7	4	20	3
B0020.040-035	M 4	35	7	4	20	3
B0020.050-008	M 5	8	8.5	5	-	4
B0020.050-010	M 5	10	8.5	5	-	4
B0020.050-012	M 5	12	8.5	5	-	4
B0020.050-016	M 5	16	8.5	5	-	4
B0020.050-020	M 5	20	8.5	5	-	4
B0020.050-025	M 5	25	8.5	5	22	4
B0020.050-035	M 5	35	8.5	5	22	4
B0020.060-008	M 6	8	10	6	-	5
B0020.060-012	M 6	12	10	6	-	5
B0020.060-016	M 6	16	10	6	-	5
B0020.060-020	M 6	20	10	6	-	5
B0020.060-025	M 6	25	10	6	24	5
B0020.060-035	M 6	35	10	6	24	5
B0020.060-040	M 6	40	10	6	24	5
B0020.080-012	M 8	12	13	8	-	6
B0020.080-016	M 8	16	13	8	-	6
B0020.080-020	M 8	20	13	8	-	6
B0020.080-025	M 8	25	13	8	-	6
B0020.080-035	M 8	35	13	8	28	6



Hexagon Socket Head Cap Screws

Hexagon socket head cap screw, DIN 912

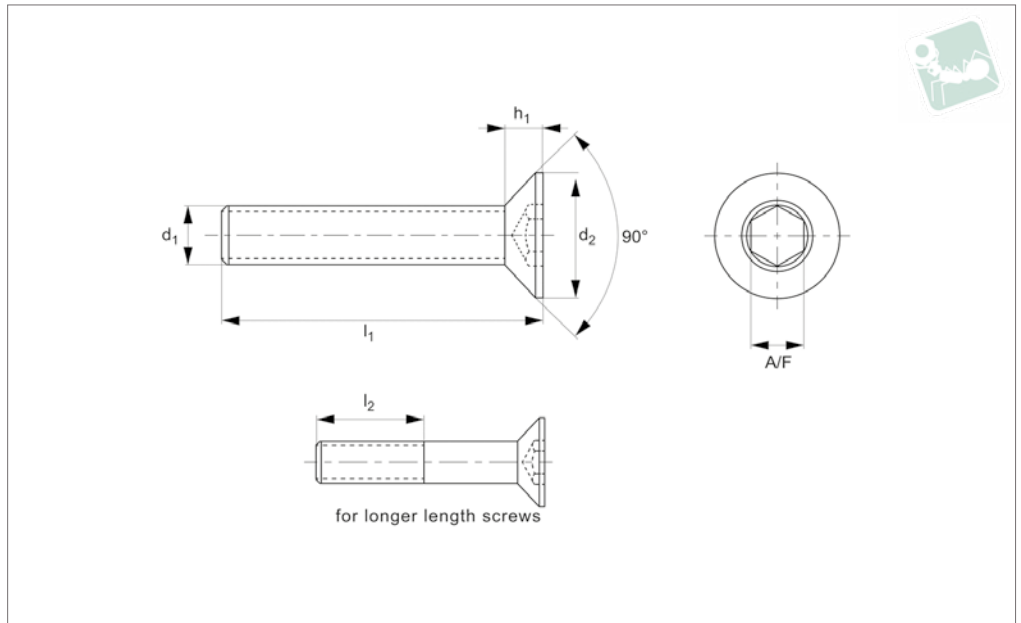
Brass

Order No.	d ₁	l ₁	d ₂	h ₁	l ₂	A/F
B0020.080-040	M 8	40	13	8	28	6
B0020.080-050	M 8	50	13	8	28	6
B0020.100-016	M10	16	16	10	-	8
B0020.100-020	M10	20	16	10	-	8
B0020.100-025	M10	25	16	10	-	8
B0020.100-035	M10	35	16	10	32	8
B0020.100-040	M10	40	16	10	32	8
B0020.100-050	M10	50	16	10	32	8
B0020.120-030	M12	30	18	12	-	10
B0020.120-040	M12	40	18	12	36	10
B0020.120-050	M12	50	18	12	36	10
B0020.120-060	M12	60	18	12	36	10
B0020.120-080	M12	80	18	12	36	10

BRASS



B0021.B0



Material

Brass, Cu3 (Cuzn39Pb3).

Technical Notes

To DIN 7991. ISO 2009. For the majority of

screw lengths the threads goes all the way to the head of the screw (i.e. $l_1 = l_2$) less 2.5 thread pitches.

For longer length screws the threaded

portion $l_2 < l_1$.

Order No.	d ₁	l ₁	d ₂	h ₁	l ₂	A/F
B0021.040-010	M 4	10	8	2.3	-	2.5
B0021.040-012	M 4	12	8	2.3	-	2.5
B0021.040-020	M 4	20	8	2.3	14	2.5
B0021.040-025	M 4	25	8	2.3	14	2.5
B0021.050-010	M 5	10	10	2.8	-	3.0
B0021.050-012	M 5	12	10	2.8	-	3.0
B0021.050-016	M 5	16	10	2.8	-	3.0
B0021.050-020	M 5	20	10	2.8	16	3.0
B0021.050-025	M 5	25	10	2.8	16	3.0
B0021.050-030	M 5	30	10	2.8	16	3.0
B0021.060-010	M 6	10	12.0	3.30	-	4.0
B0021.060-012	M 6	12	12.0	3.30	-	4.0
B0021.060-016	M 6	16	12.0	3.30	-	4.0
B0021.060-020	M 6	20	12.0	3.30	18	4.0
B0021.060-025	M 6	25	12.0	3.30	18	4.0
B0021.060-030	M 6	30	12.0	3.30	18	4.0
B0021.060-035	M 6	35	12.0	3.30	18	4.0
B0021.060-040	M 6	40	12.0	3.30	18	4.0
B0021.060-050	M 6	50	12.0	3.30	18	4.0
B0021.060-060	M 6	60	12.0	3.30	18	4.0
B0021.060-070	M 6	70	12.0	3.30	18	4.0
B0021.060-080	M 6	80	12.0	3.30	18	4.0
B0021.060-090	M 6	90	12.0	3.30	18	4.0
B0021.080-012	M 8	12	16.0	4.40	-	5.0
B0021.080-016	M 8	16	16.0	4.40	-	5.0
B0021.080-020	M 8	20	16.0	4.40	-	5.0
B0021.080-025	M 8	25	16.0	4.40	22	5.0
B0021.080-030	M 8	30	16.0	4.40	22	5.0
B0021.080-035	M 8	35	16.0	4.40	22	5.0
B0021.080-040	M 8	40	16.0	4.40	22	5.0
B0021.100-016	M10	16	20.0	5.50	-	6.0
B0021.100-020	M10	20	20.0	5.50	-	6.0
B0021.100-025	M10	25	20.0	5.50	-	6.0
B0021.100-030	M10	30	20.0	5.50	26	6.0



Socket Csk Head Screws

Csk, DIN 7991

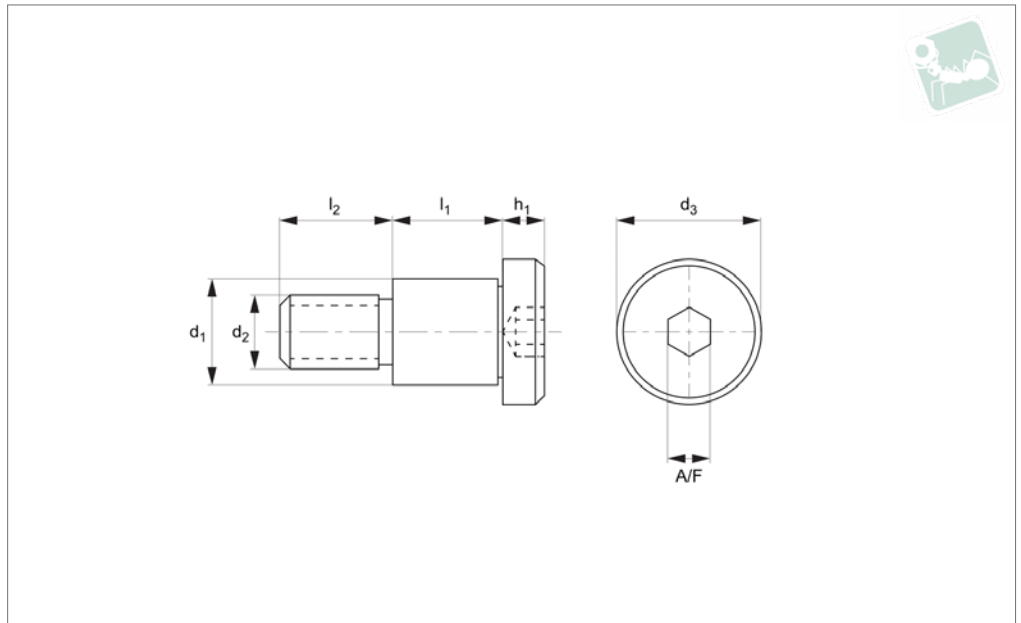
Brass

Order No.	d ₁	l ₁	d ₂	h ₁	l ₂	A/F
B0021.100-035	M10	35	20.0	5.50	26	6.0
B0021.100-040	M10	40	20.0	5.50	26	6.0
B0021.100-050	M10	50	20.0	5.50	26	6.0
B0021.120-020	M12	20	24.0	6.50	-	8.0
B0021.120-025	M12	25	24.0	6.50	-	8.0
B0021.120-030	M12	30	24.0	6.50	-	8.0
B0021.120-040	M12	40	24.0	6.50	30	8.0
B0021.120-050	M12	50	24.0	6.50	30	8.0
B0021.120-060	M12	60	24.0	6.50	30	8.0
B0021.120-070	M12	70	24.0	6.50	30	8.0
B0021.120-080	M12	80	24.0	6.50	30	8.0
B0021.120-090	M12	90	24.0	6.50	30	8.0
B0021.160-080	M16	80	30.0	7.50	38	10.0
B0021.160-090	M16	90	30.0	7.50	38	10.0

BRASS



B0270.B0



BRASS

Material

Brass, CU3 (Cuzn39pb3).

Technical Notes

These are machined parts

Order No.	d ₁ +0.0 -0.025	l ₁ +0.05 -0.0	d ₂	d ₃	h ₁	l ₂	A/F
B0270.040-004	4	4	M3	6	3	4	2
B0270.040-005	4	5	M3	6	3	4	2
B0270.040-006	4	6	M3	6	3	4	2
B0270.040-008	4	8	M3	6	3	4	2
B0270.040-010	4	10	M3	6	3	4	2
B0270.040-012	4	12	M3	6	3	4	2
B0270.050-004	5	4	M4	8	4	5	2.5
B0270.050-005	5	5	M4	8	4	5	2.5
B0270.050-006	5	6	M4	8	4	5	2.5
B0270.050-008	5	8	M4	8	4	5	2.5
B0270.050-010	5	10	M4	8	4	5	2.5
B0270.050-012	5	12	M4	8	4	5	2.5
B0270.050-014	5	14	M4	8	4	5	2.5
B0270.050-016	5	16	M4	8	4	5	2.5
B0270.050-020	5	20	M4	8	4	5	2.5
B0270.050-025	5	25	M4	8	4	5	2.5
B0270.050-030	5	30	M4	8	4	5	2.5
B0270.060-004	6	4	M5	10	5	6	3
B0270.060-005	6	5	M5	10	5	6	3
B0270.060-006	6	6	M5	10	5	6	3
B0270.060-008	6	8	M5	10	5	6	3
B0270.060-010	6	10	M5	10	5	6	3
B0270.060-012	6	12	M5	10	5	6	3
B0270.060-014	6	14	M5	10	5	6	3
B0270.060-016	6	16	M5	10	5	6	3
B0270.060-020	6	20	M5	10	5	6	3
B0270.060-025	6	25	M5	10	5	6	3
B0270.060-030	6	30	M5	10	5	6	3
B0270.080-006	8	6	M6	12	6	11	4
B0270.080-008	8	8	M6	12	6	11	4
B0270.080-010	8	10	M6	12	6	11	4
B0270.080-012	8	12	M6	12	6	11	4
B0270.080-014	8	14	M6	12	6	11	4
B0270.080-016	8	16	M6	12	6	11	4



Shoulder Screws - Hex. Socket Head

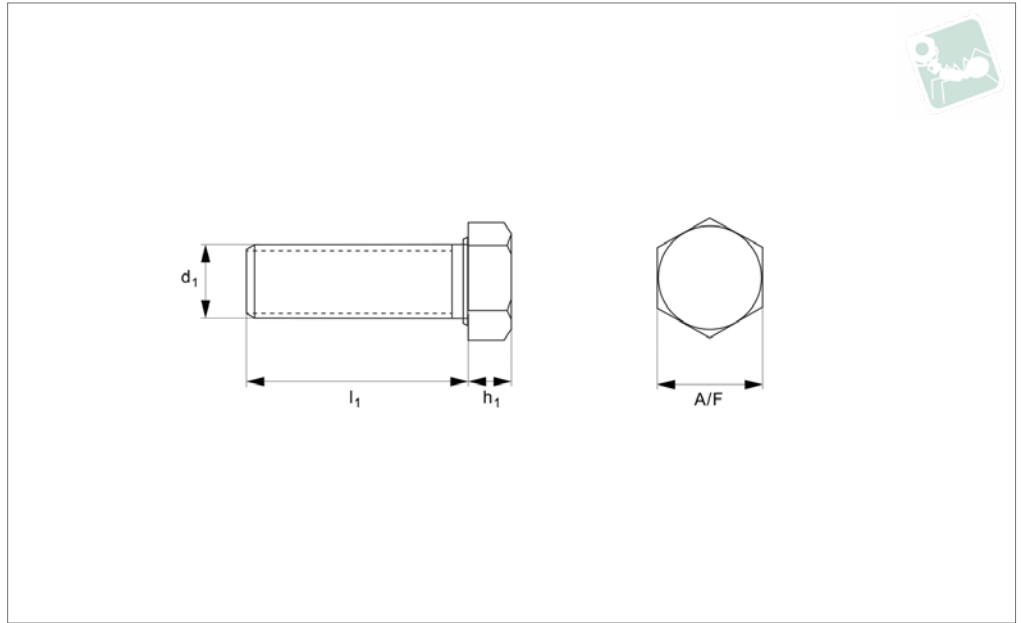
Brass

Order No.	d_1 +0.0 -0.025	l_1 +0.05 -0.0	d_2	d_3	h_1	l_2	A/F
B0270.080-020	8	20	M6	12	6	11	4
B0270.080-025	8	25	M6	12	6	11	4
B0270.080-030	8	30	M6	12	6	11	4
B0270.100-008	10	8	M6	12	6	11	4
B0270.100-010	10	10	M6	12	6	11	4
B0270.100-012	10	12	M6	12	6	11	4
B0270.100-016	10	16	M6	12	6	11	4
B0270.101-008	10	8	M8	14	7	12	5
B0270.101-010	10	10	M8	14	7	12	5
B0270.101-012	10	12	M8	14	7	12	5
B0270.101-016	10	16	M8	14	7	12	5
B0270.101-020	10	20	M8	14	7	12	5
B0270.101-025	10	25	M8	14	7	12	5
B0270.101-030	10	30	M8	14	7	12	5
B0270.120-012	12	12	M10	20	8	16	6
B0270.120-016	12	16	M10	20	8	16	6
B0270.120-020	12	20	M10	20	8	16	6
B0270.120-025	12	25	M10	20	8	16	6
B0270.120-030	12	30	M10	20	8	16	6

BRASS



B0004.B0



BRASS

Material

Brass.

Technical Notes

To DIN 933, ISO 4017.

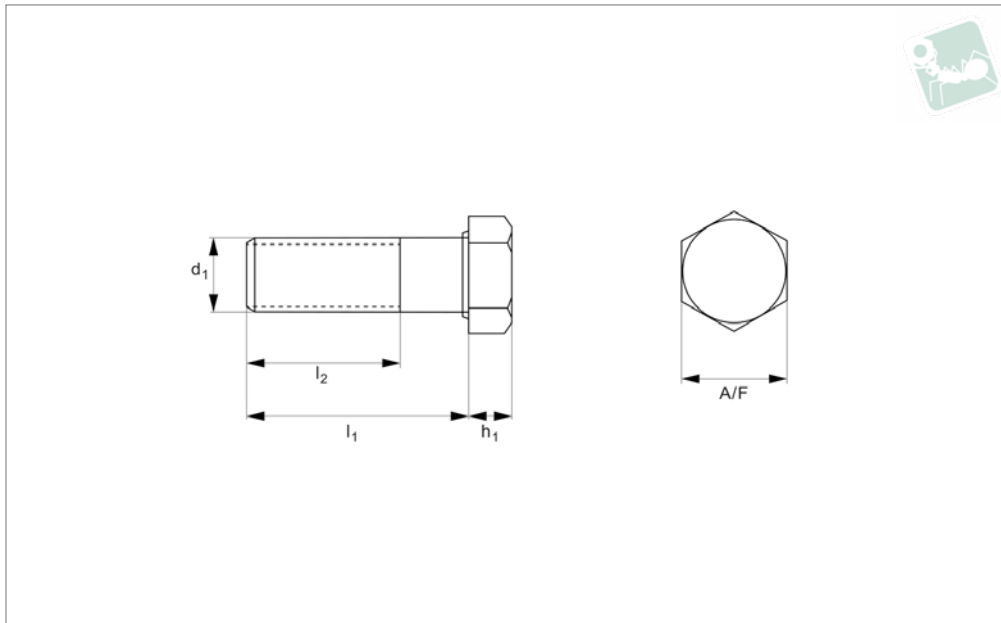
Order No.	d ₁	l ₁	h ₁	A/F	Material
B0004.040030B000	M 4	30	2.8	7	Brass
B0004.060-016	M 6	16	4.0	10	Brass
B0004.060020B000	M 6	20	4.0	10	Brass
B0004.060-030	M 6	30	4.0	10	Brass
B0004.060035B000	M 6	35	4.0	10	Brass
B0004.060-040	M 6	40	4.0	10	Brass
B0004.060050B000	M 6	50	4.0	10	Brass
B0004.080-012	M 8	12	5.3	13	Brass
B0004.080016B000	M 8	16	5.3	13	Brass
B0004.080030B000	M 8	30	5.3	13	Brass
B0004.100025B000	M10	25	6.4	17	Brass
B0004.100040B000	M10	40	6.4	17	Brass
B0004.100050B000	M10	50	6.4	17	Brass
B0004.120025B000	M12	25	7.5	19	Brass
B0004.120050B000	M12	50	7.5	19	Brass
B0004.120100B000	M12	100	7.5	19	Brass
B0004.140100B000	M14	100	8.8	22	Brass
B0004.160040B000	M16	40	10	24	Brass
B0004.200050B000	M20	50	12.5	30	Brass



Hexagon Head Bolts

with shank, DIN 931

Brass



B0007.B0

BRASS

Material

Brass, Cu3 (CuZn39Pb3).

Technical Notes

To DIN 931, ISO 4014.

Order No.	Thread d ₁	l ₁	h ₁	l ₂	A/F
B0007.050-025	M 5	25	3.35	16	8
B0007.050-030	M 5	30	3.35	16	8
B0007.050-035	M 5	35	3.35	16	8
B0007.050-040	M 5	40	3.35	16	8
B0007.050-045	M 5	45	3.35	16	8
B0007.050-050	M 5	50	3.35	16	8
B0007.050-055	M 5	55	3.35	16	8
B0007.050-060	M 5	60	3.35	16	8
B0007.050-065	M 5	65	3.35	16	8
B0007.050-070	M 5	70	3.35	16	8
B0007.050-075	M 5	75	3.35	16	8
B0007.050-080	M 5	80	3.35	16	8
B0007.050-085	M 5	85	3.35	16	8
B0007.050-090	M 5	90	3.35	16	8
B0007.050-095	M 5	95	3.35	16	8
B0007.050-100	M 5	100	3.35	16	8
B0007.060-025	M 6	25	3.85	18	10
B0007.060-030	M 6	30	3.85	18	10
B0007.060-035	M 6	35	3.85	18	10
B0007.060-040	M 6	40	3.85	18	10
B0007.060-045	M 6	45	3.85	18	10
B0007.060-050	M 6	50	3.85	18	10
B0007.060-055	M 6	55	3.85	18	10
B0007.060-060	M 6	60	3.85	18	10
B0007.060-065	M 6	65	3.85	18	10
B0007.060-070	M 6	70	3.85	18	10
B0007.060-075	M 6	75	3.85	18	10
B0007.060-080	M 6	80	3.85	18	10
B0007.060-085	M 6	85	3.85	18	10
B0007.060-090	M 6	90	3.85	18	10
B0007.060-100	M 6	100	3.85	18	10
B0007.060-110	M 6	110	3.85	18	10
B0007.060-120	M 6	120	3.85	18	10
B0007.060-130	M 6	130	3.85	18	10
B0007.060-140	M 6	140	3.85	18	10



Order No.	Thread d ₁	l ₁	h ₁	l ₂	A/F
B0007.060-150	M 6	150	3.85	18	10
B0007.060-160	M 6	160	3.85	18	10
B0007.060-170	M 6	170	3.85	18	10
B0007.060-180	M 6	180	3.85	18	10
B0007.060-190	M 6	190	3.85	18	10
B0007.060-200	M 6	200	3.85	18	10
B0007.080-030	M 8	30	5.15	22	13
B0007.080-035	M 8	35	5.15	22	13
B0007.080-040	M 8	40	5.15	22	13
B0007.080-045	M 8	45	5.15	22	13
B0007.080-050	M 8	50	5.15	22	13
B0007.080-055	M 8	55	5.15	22	13
B0007.080-060	M 8	60	5.15	22	13
B0007.080-065	M 8	65	5.15	22	13
B0007.080-070	M 8	70	5.15	22	13
B0007.080-075	M 8	75	5.15	22	13
B0007.080-080	M 8	80	5.15	22	13
B0007.080-085	M 8	85	5.15	22	13
B0007.080-090	M 8	90	5.15	22	13
B0007.080-095	M 8	95	5.15	22	13
B0007.080-100	M 8	100	5.15	22	13
B0007.080-110	M 8	110	5.15	22	13
B0007.080-120	M 8	120	5.15	22	13
B0007.080-130	M 8	130	5.15	22	13
B0007.080-140	M 8	140	5.15	22	13
B0007.080-150	M 8	150	5.15	22	13
B0007.080-160	M 8	160	5.15	22	13
B0007.080-170	M 8	170	5.15	22	13
B0007.080-180	M 8	180	5.15	22	13
B0007.080-190	M 8	190	5.15	22	13
B0007.080-200	M 8	200	5.15	22	13
B0007.080-210	M 8	210	5.15	22	13
B0007.080-220	M 8	220	5.15	22	13
B0007.080-230	M 8	230	5.15	22	13
B0007.100-035	M10	35	6.22	26	17
B0007.100-040	M10	40	6.22	26	17
B0007.100-045	M10	45	6.22	26	17
B0007.100-050	M10	50	6.22	26	17
B0007.100-055	M10	55	6.22	26	17
B0007.100-060	M10	60	6.22	26	17
B0007.100-065	M10	65	6.22	26	17
B0007.100-070	M10	70	6.22	26	17
B0007.100-075	M10	75	6.22	26	17
B0007.100-080	M10	80	6.22	26	17
B0007.100-085	M10	85	6.22	26	17
B0007.100-090	M10	90	6.22	26	17
B0007.100-095	M10	95	6.22	26	17
B0007.100-100	M10	100	6.22	26	17
B0007.100-110	M10	110	6.22	26	17
B0007.100-120	M10	120	6.22	26	17
B0007.100-130	M10	130	6.22	26	17
B0007.100-140	M10	140	6.22	26	17
B0007.100-150	M10	150	6.22	26	17
B0007.100-160	M10	160	6.22	26	17
B0007.100-170	M10	170	6.22	26	17
B0007.100-180	M10	180	6.22	26	17
B0007.100-190	M10	190	6.22	26	17
B0007.100-200	M10	200	6.22	26	17
B0007.100-210	M10	210	6.22	26	17
B0007.100-220	M10	220	6.22	26	17
B0007.100-230	M10	230	6.22	26	17
B0007.100-240	M10	240	6.22	26	17
B0007.100-250	M10	250	6.22	26	17
B0007.100-260	M10	260	6.22	26	17
B0007.100-270	M10	270	6.22	26	17
B0007.100-280	M10	280	6.22	26	17
B0007.100-290	M10	290	6.22	26	17
B0007.100-300	M10	300	6.22	26	17
B0007.100-310	M10	310	6.22	26	17



Hexagon Head Bolts

with shank, DIN 931

Brass

Order No.	Thread d ₁	l ₁	h ₁	l ₂	A/F
B0007.100-320	M10	320	6.22	26	17
B0007.100-340	M10	340	6.22	26	17
B0007.100-360	M10	360	6.22	26	17
B0007.100-380	M10	380	6.22	26	17
B0007.100-400	M10	400	6.22	26	17
B0007.100-420	M10	420	6.22	26	17
B0007.100-440	M10	440	6.22	26	17
B0007.100-460	M10	460	6.22	26	17
B0007.100-480	M10	480	6.22	26	17
B0007.100-500	M10	500	6.22	26	17
B0007.120-040	M12	40	7.32	30	19
B0007.120-045	M12	45	7.32	30	19
B0007.120-050	M12	50	7.32	30	19
B0007.120-055	M12	55	7.32	30	19
B0007.120-060	M12	60	7.32	30	19
B0007.120-065	M12	65	7.32	30	19
B0007.120-070	M12	70	7.32	30	19
B0007.120-075	M12	75	7.32	30	19
B0007.120-080	M12	80	7.32	30	19
B0007.120-085	M12	85	7.32	30	19
B0007.120-090	M12	90	7.32	30	19
B0007.120-095	M12	95	7.32	30	19
B0007.120-110	M12	110	7.32	30	19
B0007.120-120	M12	120	7.32	30	19
B0007.120-130	M12	130	7.32	30	19
B0007.120-140	M12	140	7.32	30	19
B0007.120-150	M12	150	7.32	30	19
B0007.120-160	M12	160	7.32	30	19
B0007.120-170	M12	170	7.32	30	19
B0007.120-180	M12	180	7.32	30	19
B0007.120-190	M12	190	7.32	30	19
B0007.120-200	M12	200	7.32	30	19
B0007.120-210	M12	210	7.32	30	19
B0007.120-220	M12	220	7.32	30	19
B0007.120-230	M12	230	7.32	30	19
B0007.120-240	M12	240	7.32	30	19
B0007.120-250	M12	250	7.32	30	19
B0007.120-260	M12	260	7.32	30	19
B0007.120-270	M12	270	7.32	30	19
B0007.120-280	M12	280	7.32	30	19
B0007.120-290	M12	290	7.32	30	19
B0007.120-300	M12	300	7.32	30	19
B0007.120-320	M12	320	7.32	30	19
B0007.120-340	M12	340	7.32	30	19
B0007.120-360	M12	360	7.32	30	19
B0007.120-380	M12	380	7.32	30	19
B0007.120-400	M12	400	7.32	30	19
B0007.120-420	M12	420	7.32	30	19
B0007.120-440	M12	440	7.32	30	19
B0007.120-460	M12	460	7.32	30	19
B0007.120-480	M12	480	7.32	30	19
B0007.120-500	M12	500	7.32	30	19
B0007.140-050	M14	50	8.62	34	22
B0007.140-055	M14	55	8.62	34	22
B0007.140-060	M14	60	8.62	34	22
B0007.140-065	M14	65	8.62	34	22
B0007.140-070	M14	70	8.62	34	22
B0007.140-075	M14	75	8.62	34	22
B0007.140-080	M14	80	8.62	34	22
B0007.140-085	M14	85	8.62	34	22
B0007.140-090	M14	90	8.62	34	22
B0007.140-095	M14	95	8.62	34	22
B0007.140-100	M14	100	8.62	34	22
B0007.140-110	M14	110	8.62	34	22
B0007.140-120	M14	120	8.62	34	22
B0007.140-130	M14	130	8.62	34	22
B0007.140-140	M14	140	8.62	34	22
B0007.140-150	M14	150	8.62	34	22
B0007.140-160	M14	160	8.62	34	22

BRASS



Order No.	Thread d ₁	l ₁	h ₁	l ₂	A/F
B0007.140-170	M14	170	8.62	34	22
B0007.140-180	M14	180	8.62	34	22
B0007.140-190	M14	190	8.62	34	22
B0007.140-200	M14	200	8.62	34	22
B0007.140-210	M14	210	8.62	34	22
B0007.140-220	M14	220	8.62	34	22
B0007.140-230	M14	230	8.62	34	22
B0007.140-240	M14	240	8.62	34	22
B0007.140-250	M14	250	8.62	34	22
B0007.140-260	M14	260	8.62	34	22
B0007.140-270	M14	270	8.62	34	22
B0007.140-280	M14	280	8.62	34	22
B0007.160-050	M16	50	9.82	38	24
B0007.160-055	M16	55	9.82	38	24
B0007.160-060	M16	60	9.82	38	24
B0007.160-065	M16	65	9.82	38	24
B0007.160-070	M16	70	9.82	38	24
B0007.160-075	M16	75	9.82	38	24
B0007.160-080	M16	80	9.82	38	24
B0007.160-085	M16	85	9.82	38	24
B0007.160-090	M16	90	9.82	38	24
B0007.160-095	M16	95	9.82	38	24
B0007.160-100	M16	100	9.82	38	24
B0007.160-110	M16	110	9.82	38	24
B0007.160-120	M16	120	9.82	38	24
B0007.160-130	M16	130	9.82	38	24
B0007.160-140	M16	140	9.82	38	24
B0007.160-150	M16	150	9.82	38	24
B0007.160-160	M16	160	9.82	38	24
B0007.160-170	M16	170	9.82	38	24
B0007.160-180	M16	180	9.82	38	24
B0007.160-190	M16	190	9.82	38	24
B0007.160-200	M16	200	9.82	38	24
B0007.160-210	M16	210	9.82	38	24
B0007.160-220	M16	220	9.82	38	24
B0007.160-230	M16	230	9.82	38	24
B0007.160-240	M16	240	9.82	38	24
B0007.160-250	M16	250	9.82	38	24
B0007.160-260	M16	260	9.82	38	24
B0007.160-270	M16	270	9.82	38	24
B0007.160-280	M16	280	9.82	38	24
B0007.160-290	M16	290	9.82	38	24
B0007.160-300	M16	300	9.82	38	24
B0007.160-320	M16	320	9.82	38	24
B0007.160-340	M16	340	9.82	38	24
B0007.160-360	M16	360	9.82	38	24
B0007.160-380	M16	380	9.82	38	24
B0007.160-400	M16	400	9.82	38	24
B0007.160-420	M16	420	9.82	38	24
B0007.160-440	M16	440	9.82	38	24
B0007.160-460	M16	460	9.82	38	24
B0007.160-480	M16	480	9.82	38	24
B0007.160-500	M16	500	9.82	38	24
B0007.180-060	M18	60	11.28	42	27
B0007.180-065	M18	65	11.28	42	27
B0007.180-070	M18	70	11.28	42	27
B0007.180-075	M18	75	11.28	42	27
B0007.180-080	M18	80	11.28	42	27
B0007.180-085	M18	85	11.28	42	27
B0007.180-090	M18	90	11.28	42	27
B0007.180-095	M18	95	11.28	42	27
B0007.180-100	M18	100	11.28	42	27
B0007.180-110	M18	110	11.28	42	27
B0007.180-120	M18	120	11.28	42	27
B0007.180-130	M18	130	11.28	42	27
B0007.180-140	M18	140	11.28	42	27
B0007.180-150	M18	150	11.28	42	27
B0007.180-160	M18	160	11.28	42	27
B0007.180-170	M18	170	11.28	42	27

Hexagon Head Bolts

with shank, DIN 931

Brass



Order No.	Thread d ₁	l ₁	h ₁	l ₂	A/F
B0007.180-180	M18	180	11.28	42	27
B0007.180-190	M18	190	11.28	42	27
B0007.180-200	M18	200	11.28	42	27
B0007.180-210	M18	210	11.28	42	27
B0007.180-220	M18	220	11.28	42	27
B0007.180-230	M18	230	11.28	42	27
B0007.180-240	M18	240	11.28	42	27
B0007.180-250	M18	250	11.28	42	27
B0007.180-260	M18	260	11.28	42	27
B0007.180-270	M18	270	11.28	42	27
B0007.200-060	M20	60	12.28	46	30
B0007.200-065	M20	65	12.28	46	30
B0007.200-070	M20	70	12.28	46	30
B0007.200-075	M20	75	12.28	46	30
B0007.200-080	M20	80	12.28	46	30
B0007.200-085	M20	85	12.28	46	30
B0007.200-090	M20	90	12.28	46	30
B0007.200-095	M20	95	12.28	46	30
B0007.200-100	M20	100	12.28	46	30
B0007.200-110	M20	110	12.28	46	30
B0007.200-120	M20	120	12.28	46	30
B0007.200-130	M20	130	12.28	46	30
B0007.200-140	M20	140	12.28	46	30
B0007.200-150	M20	150	12.28	46	30
B0007.200-160	M20	160	12.28	46	30
B0007.200-170	M20	170	12.28	46	30
B0007.200-180	M20	180	12.28	46	30
B0007.200-190	M20	190	12.28	46	30
B0007.200-200	M20	200	12.28	46	30
B0007.200-210	M20	210	12.28	46	30
B0007.200-220	M20	220	12.28	46	30
B0007.200-230	M20	230	12.28	46	30
B0007.200-240	M20	240	12.28	46	30
B0007.200-250	M20	250	12.28	46	30
B0007.200-260	M20	260	12.28	46	30
B0007.200-270	M20	270	12.28	46	30
B0007.200-280	M20	280	12.28	46	30
B0007.200-290	M20	290	12.28	46	30
B0007.200-300	M20	300	12.28	46	30
B0007.200-320	M20	320	12.28	46	30
B0007.200-340	M20	340	12.28	46	30
B0007.200-360	M20	360	12.28	46	30
B0007.200-380	M20	380	12.28	46	30
B0007.200-400	M20	400	12.28	46	30
B0007.200-420	M20	420	12.28	46	30
B0007.200-440	M20	440	12.28	46	30
B0007.200-460	M20	460	12.28	46	30
B0007.200-480	M20	480	12.28	46	30
B0007.200-500	M20	500	12.28	46	30
B0007.220-070	M22	70	13.78	50	32
B0007.220-075	M22	75	13.78	50	32
B0007.220-080	M22	80	13.78	50	32
B0007.220-085	M22	85	13.78	50	32
B0007.220-090	M22	90	13.78	50	32
B0007.220-095	M22	95	13.78	50	32
B0007.220-100	M22	100	13.78	50	32
B0007.220-110	M22	110	13.78	50	32
B0007.220-120	M22	120	13.78	50	32
B0007.220-130	M22	130	13.78	50	32
B0007.220-140	M22	140	13.78	50	32
B0007.220-150	M22	150	13.78	50	32
B0007.220-160	M22	160	13.78	50	32
B0007.220-170	M22	170	13.78	50	32
B0007.220-180	M22	180	13.78	50	32
B0007.220-190	M22	190	13.78	50	32
B0007.220-200	M22	200	13.78	50	32
B0007.220-210	M22	210	13.78	50	32
B0007.220-220	M22	220	13.78	50	32
B0007.220-230	M22	230	13.78	50	32

BRASS



Order No.	Thread d ₁	l ₁	h ₁	l ₂	A/F
B0007.220-240	M22	240	13.78	50	32
B0007.220-250	M22	250	13.78	50	32
B0007.220-260	M22	260	13.78	50	32
B0007.220-270	M22	270	13.78	50	32
B0007.220-280	M22	280	13.78	50	32
B0007.240-070	M24	70	14.78	54	36
B0007.240-075	M24	75	14.78	54	36
B0007.240-080	M24	80	14.78	54	36
B0007.240-085	M24	85	14.78	54	36
B0007.240-090	M24	90	14.78	54	36
B0007.240-100	M24	100	14.78	54	36
B0007.240-110	M24	110	14.78	54	36
B0007.240-120	M24	120	14.78	54	36
B0007.240-130	M24	130	14.78	54	36
B0007.240-140	M24	140	14.78	54	36
B0007.240-150	M24	150	14.78	54	36
B0007.240-160	M24	160	14.78	54	36
B0007.240-170	M24	170	14.78	54	36
B0007.240-180	M24	180	14.78	54	36
B0007.240-190	M24	190	14.78	54	36
B0007.240-200	M24	200	14.78	54	36
B0007.240-210	M24	210	14.78	54	36
B0007.240-220	M24	220	14.78	54	36
B0007.240-230	M24	230	14.78	54	36
B0007.240-240	M24	240	14.78	54	36
B0007.240-250	M24	250	14.78	54	36
B0007.240-260	M24	260	14.78	54	36
B0007.240-270	M24	270	14.78	54	36
B0007.240-280	M24	280	14.78	54	36
B0007.240-290	M24	29	14.78	54	36
B0007.240-300	M24	300	14.78	54	36
B0007.240-320	M24	320	14.78	54	36
B0007.240-340	M24	340	14.78	54	36
B0007.240-360	M24	360	14.78	54	36
B0007.240-380	M24	380	14.78	54	36
B0007.240-400	M24	400	14.78	54	36
B0007.240-420	M24	420	14.78	54	36
B0007.240-440	M24	440	14.78	54	36
B0007.240-460	M24	460	14.78	54	36
B0007.240-480	M24	480	14.78	54	36
B0007.240-500	M24	500	14.78	54	36
B0007.270-080	M27	80	16.65	60	41
B0007.270-085	M27	85	16.65	60	41
B0007.270-090	M27	90	16.65	60	41
B0007.270-095	M27	95	16.65	60	41
B0007.270-100	M27	100	16.65	60	41
B0007.270-110	M27	110	16.65	60	41
B0007.270-120	M27	120	16.65	60	41
B0007.270-130	M27	130	16.65	60	41
B0007.270-140	M27	140	16.65	60	41
B0007.270-150	M27	150	16.65	60	41
B0007.270-160	M27	160	16.65	60	41
B0007.270-170	M27	170	16.65	60	41
B0007.270-180	M27	180	16.65	60	41
B0007.270-190	M27	190	16.65	60	41
B0007.270-200	M27	200	16.65	60	41
B0007.270-210	M27	210	16.65	60	41
B0007.270-220	M27	220	16.65	60	41
B0007.270-230	M27	230	16.65	60	41
B0007.270-240	M27	240	16.65	60	41
B0007.270-250	M27	250	16.65	60	41
B0007.270-260	M27	260	16.65	60	41
B0007.270-270	M27	270	16.65	60	41
B0007.270-280	M27	280	16.65	60	41
B0007.270-290	M27	290	16.65	60	41
B0007.270-300	M27	300	16.65	60	41
B0007.270-320	M27	320	16.65	60	41
B0007.270-340	M27	340	16.65	60	41
B0007.300-080	M30	80	18.28	66	46



Hexagon Head Bolts

with shank, DIN 931

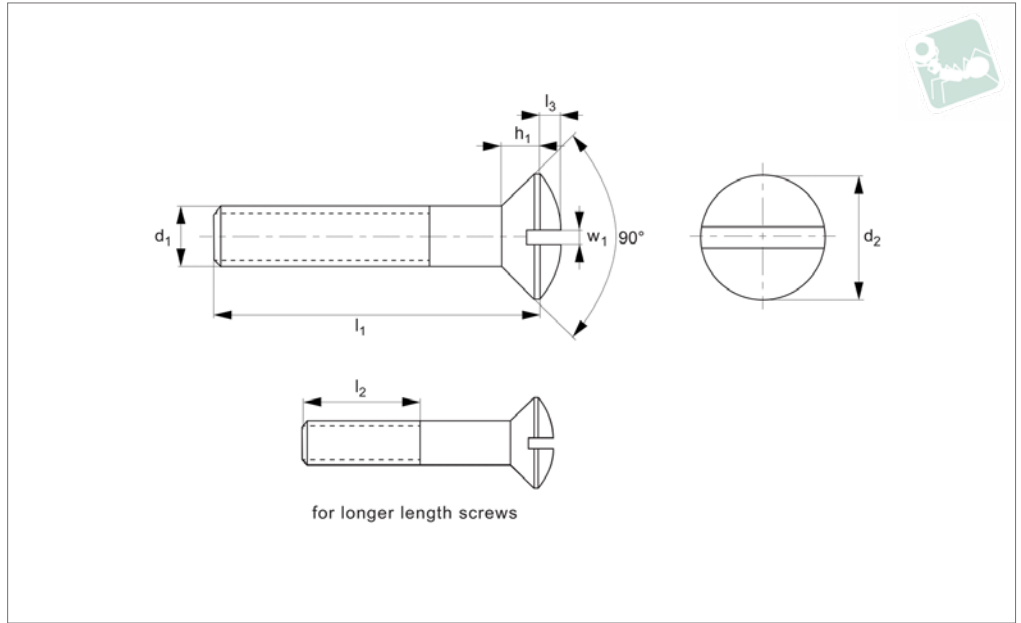
Brass

Order No.	Thread d ₁	l ₁	h ₁	l ₂	A/F
B0007.300-085	M30	85	18.28	66	46
B0007.300-090	M30	90	18.28	66	46
B0007.300-095	M30	95	18.28	66	46
B0007.300-100	M30	100	18.28	66	46
B0007.300-110	M30	110	18.28	66	46
B0007.300-120	M30	120	18.28	66	46
B0007.300-130	M30	130	18.28	66	46
B0007.300-140	M30	140	18.28	66	46
B0007.300-150	M30	150	18.28	66	46
B0007.300-160	M30	160	18.28	66	46
B0007.300-170	M30	170	18.28	66	46
B0007.300-180	M30	180	18.28	66	46
B0007.300-190	M30	190	18.28	66	46
B0007.300-200	M30	200	18.28	66	46
B0007.300-210	M30	210	18.28	66	46
B0007.300-220	M30	220	18.28	66	46
B0007.300-230	M30	230	18.28	66	46
B0007.300-240	M30	240	18.28	66	46
B0007.300-250	M30	250	18.28	66	46
B0007.300-260	M30	260	18.28	66	46
B0007.300-270	M30	270	18.28	66	46
B0007.300-280	M30	280	18.28	66	46
B0007.300-290	M30	290	18.28	66	46
B0007.300-300	M30	300	18.28	66	46
B0007.330-090	M33	90	20.58	72	50
B0007.330-095	M33	95	20.58	72	50
B0007.330-100	M33	100	20.58	72	50
B0007.330-110	M33	110	20.58	72	50
B0007.330-120	M33	120	20.58	72	50
B0007.330-130	M33	130	20.58	72	50
B0007.330-140	M33	140	20.58	72	50
B0007.330-150	M33	150	20.58	72	50
B0007.330-160	M33	160	20.58	72	50
B0007.330-170	M33	170	20.58	72	50
B0007.330-180	M33	180	20.58	72	50
B0007.330-190	M33	190	20.58	72	50
B0007.330-200	M33	200	20.58	72	50
B0007.330-210	M33	210	20.58	72	50
B0007.330-220	M33	220	20.58	72	50
B0007.330-230	M33	230	20.58	72	50
B0007.330-240	M33	240	20.58	72	50
B0007.330-250	M33	250	20.58	72	50
B0007.330-260	M33	260	20.58	72	50
B0007.330-270	M33	270	20.58	72	50
B0007.330-280	M33	280	20.58	72	50
B0007.360-100	M36	100	22.08	78	55
B0007.360-110	M36	110	22.08	78	55
B0007.360-120	M36	120	22.08	78	55
B0007.360-130	M36	130	22.08	78	55
B0007.360-140	M36	140	22.08	78	55
B0007.360-150	M36	150	22.08	78	55
B0007.360-160	M36	160	22.08	78	55
B0007.360-170	M36	170	22.08	78	55
B0007.360-180	M36	180	22.08	78	55
B0007.360-190	M36	190	22.08	78	55
B0007.360-200	M36	200	22.08	78	55
B0007.360-210	M36	210	22.08	78	55
B0007.360-220	M36	220	22.08	78	55
B0007.360-230	M36	230	22.08	78	55
B0007.360-240	M36	240	22.08	78	55
B0007.360-250	M36	250	22.08	78	55
B0007.360-260	M36	260	22.08	78	55
B0007.360-270	M36	270	22.08	78	55
B0007.360-280	M36	280	22.08	78	55

BRASS



B0022.B0



BRASS

Material

Brass, Cu3 (Cuzn39Pb3).

Technical Notes

To DIN 964. For the majority of screw

lengths the threads goes all the way to the head of the screw (i.e. $l_1 = l_2$) less 2.5 thread pitches.

For longer length screws the threaded

portion $l_2 < l_1$.

Order No.	d ₁	l ₁	d ₂	h ₁	l ₂	w
B0022.020-005	M 2	5	3	1.20	0.32	2.5
B0022.020-010	M 2	10	3	1.20	0.32	2.5
B0022.025-008	M2,5	8	3.8	1.2	0.4	3.0
B0022.030-004	M 3	4	4.7	1.5	0.5	3.0
B0022.030-005	M 3	5	4.7	1.5	0.5	3.0
B0022.030-006	M 3	6	4.7	1.5	0.5	3.0
B0022.030-008	M 3	8	4.7	1.5	0.5	3.0
B0022.030-010	M 3	10	4.7	1.5	0.5	-
B0022.030-012	M 3	12	4.7	1.5	0.5	4.0
B0022.030-016	M 3	16	4.7	1.5	0.5	4.0
B0022.030-020	M 3	20	4.7	1.5	0.5	4.0
B0022.030-025	M 3	25	4.7	1.5	0.5	4.0
B0022.030-030	M 3	30	4.7	1.5	0.5	4.0
B0022.040-005	M 4	5	7.5	2.2	0.8	4.0
B0022.040-006	M 4	6	7.5	2.2	0.8	4.0
B0022.040-008	M 4	8	7.5	2.2	0.8	4.0
B0022.040-010	M 4	10	7.5	2.2	0.8	4.0
B0022.040-012	M 4	12	7.5	2.2	0.8	4.0
B0022.040-016	M 4	16	7.5	2.2	0.8	4.0
B0022.040-020	M 4	20	7.5	2.2	0.8	4.0
B0022.040-025	M 4	25	7.5	2.2	0.8	-
B0022.040-030	M 4	30	7.5	2.2	0.8	5.0
B0022.040-035	M 4	35	7.5	2.2	0.8	5.0
B0022.040-040	M 4	40	7.5	2.2	0.8	5.0
B0022.050-008	M 5	8	9.2	2.5	1.0	5.0
B0022.050-010	M 5	10	9.2	2.5	1.0	5.0
B0022.050-012	M 5	12	9.2	2.5	1.0	5.0
B0022.050-016	M 5	16	9.2	2.5	1.0	-
B0022.050-020	M 5	20	9.2	2.5	1.0	6.0
B0022.050-025	M 5	25	9.2	2.5	1.0	6.0
B0022.050-030	M 5	30	9.2	2.5	1.0	6.0
B0022.050-035	M 5	35	9.2	2.5	1.0	6.0
B0022.050-040	M 5	40	9.2	2.5	1.0	6.0
B0022.060-010	M 6	10	11	3.0	1.2	6.0



Slotted Raised Csk Head Screws

DIN 964

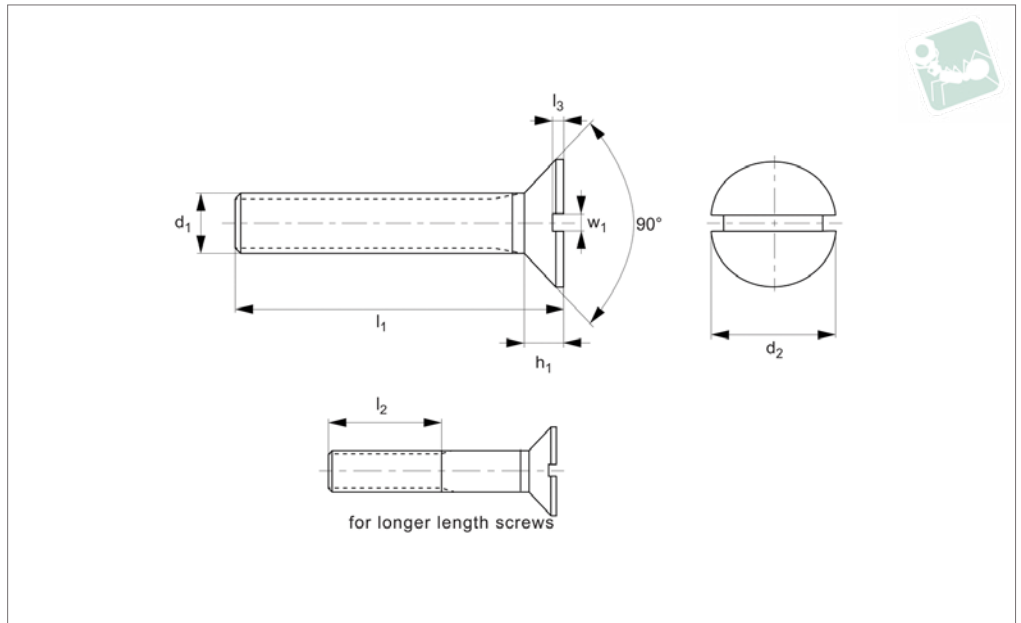
Brass

Order No.	d ₁	l ₁	d ₂	h ₁	l ₂	w
B0022.060-012	M 6	12	11	3.0	1.2	-
B0022.060-016	M 6	16	11	3.0	1.2	8.0
B0022.060-020	M 6	20	11	3.0	1.2	8.0
B0022.060-025	M 6	25	11	3.0	1.2	8.0
B0022.060-030	M 6	30	11	3.0	1.2	8.0
B0022.060-035	M 6	35	11	3.0	1.2	8.0
B0022.060-040	M 6	40	11	3.0	1.2	8.0

BRASS



B0023.B0



Material

Brass, Cu3 (Cuzn39Pb3).

lengths the threads goes all the way to the head of the screw (i.e. $l_1 = l_2$) less 2.5 thread pitches.

portion $l_2 < l_1$.

Technical Notes

To DIN 963. For the majority of screw

For longer length screws the threaded

Order No.	d ₁	l ₁	d ₂	l ₂	l ₃	h	w
B0023.020-004	M 2	4	3.8	-	0.40	10.0	0.5
B0023.020-005	M 2	5	3.8	-	0.40	10.0	0.5
B0023.020-006	M 2	6	3.8	-	0.40	-	0.5
B0023.020-008	M 2	8	3.8	-	0.40	w	0.5
B0023.020-010	M 2	10	3.8	-	0.40	0.4	0.5
B0023.025-004	M2,5	4	4.7	-	0.50	1.50	0.6
B0023.025-005	M2,5	5	4.7	-	0.50	1.50	0.6
B0023.025-006	M2,5	6	4.7	-	0.50	1.50	0.6
B0023.025-008	M2,5	8	4.7	-	0.50	1.50	0.6
B0023.025-010	M2,5	10	4.7	-	0.50	1.50	0.6
B0023.025-012	M2,5	12	4.7	-	0.50	1.50	0.6
B0023.025-016	M2,5	16	4.7	-	0.50	1.50	0.6
B0023.030-004	M 3	4	5.6	-	0.60	1.65	0.8
B0023.030-005	M 3	5	5.6	-	0.60	1.65	0.8
B0023.030-006	M 3	6	5.6	-	0.60	1.65	0.8
B0023.030-008	M 3	8	5.6	-	0.60	1.65	0.8
B0023.030-010	M 3	10	5.6	-	0.60	1.65	0.8
B0023.030-012	M 3	12	5.6	-	0.60	1.65	0.8
B0023.030-016	M 3	16	5.6	-	0.60	1.65	0.8
B0023.030-018	M 3	18	5.6	-	0.60	1.65	0.8
B0023.030-020	M 3	20	5.6	19	0.60	1.65	0.8
B0023.030-025	M 3	25	5.6	19	0.60	1.65	0.8
B0023.030-030	M 3	30	5.6	19	0.60	1.65	0.8
B0023.030-035	M 3	35	5.6	19	0.60	1.65	0.8
B0023.030-040	M 3	35	5.6	19	0.60	1.65	0.8
B0023.030-045	M 3	35	5.6	19	0.60	1.65	0.8
B0023.030-050	M 3	35	5.6	19	0.60	1.65	0.8
B0023.040-005	M 4	5	7.5	-	0.80	2.20	1.0
B0023.040-006	M 4	6	7.5	-	0.80	2.20	1.0
B0023.040-008	M 4	8	7.5	-	0.80	2.20	1.0
B0023.040-010	M 4	10	7.5	-	0.80	2.20	1.0
B0023.040-012	M 4	12	7.5	-	0.80	2.20	1.0
B0023.040-016	M 4	16	7.5	-	0.80	2.20	1.0
B0023.040-018	M 4	18	7.5	-	0.80	2.20	1.0



Slotted Flat Head Csk Screws

DIN 963

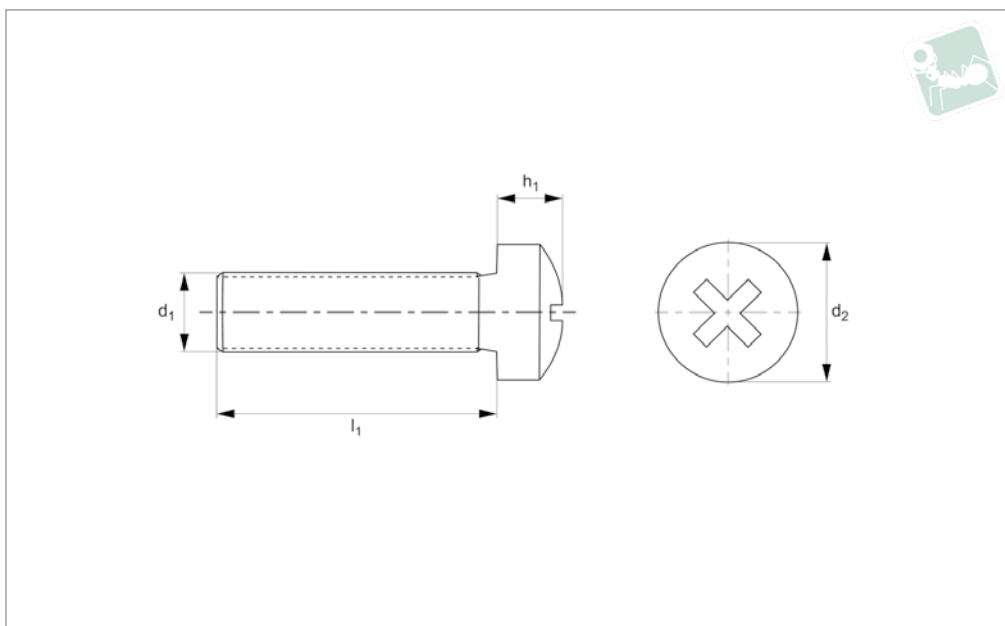
Brass

Order No.	d ₁	l ₁	d ₂	l ₂	l ₃	h	w
B0023.040-020	M 4	20	7.5	-	0.80	2.20	1.0
B0023.040-025	M 4	25	7.5	22	0.80	2.20	1.0
B0023.040-030	M 4	30	7.5	22	0.80	2.20	1.0
B0023.040-035	M 4	35	7.5	22	0.80	2.20	1.0
B0023.040-040	M 4	40	7.5	22	0.80	2.20	1.0
B0023.040-045	M 4	45	7.5	22	0.80	2.20	1.0
B0023.040-050	M 4	50	7.5	22	0.80	2.20	1.0
B0023.050-008	M 5	8	9.2	-	1.00	2.50	1.2
B0023.050-010	M 5	10	9.2	-	1.00	2.50	1.2
B0023.050-012	M 5	12	9.2	-	1.00	2.50	1.2
B0023.050-016	M 5	16	9.2	-	1.00	2.50	1.2
B0023.050-018	M 5	18	9.2	-	1.00	2.50	1.2
B0023.050-020	M 5	20	9.2	-	1.00	2.50	1.2
B0023.050-025	M 5	25	9.2	25	1.00	2.50	1.2
B0023.050-030	M 5	30	9.2	25	1.00	2.50	1.2
B0023.050-035	M 5	35	9.2	25	1.00	2.50	1.2
B0023.050-040	M 5	40	9.2	25	1.00	2.50	1.2
B0023.050-045	M 5	45	9.2	25	1.00	2.50	1.2
B0023.050-050	M 5	50	9.2	25	1.00	2.50	1.2
B0023.050-060	M 5	60	9.2	25	1.00	2.50	1.2
B0023.050-070	M 5	70	9.2	25	1.00	2.50	1.2
B0023.050-080	M 5	80	9.2	25	1.00	2.50	1.2
B0023.050-090	M 5	90	9.2	25	1.00	2.50	1.2
B0023.050-100	M 5	100	9.2	25	1.00	2.50	1.2
B0023.060-008	M 6	8	11.0	-	1.20	3.00	1.6
B0023.060-010	M 6	10	11.0	-	1.20	3.00	1.6
B0023.060-012	M 6	12	11.0	-	1.20	3.00	1.6
B0023.060-016	M 6	16	11.0	-	1.20	3.00	1.6
B0023.060-018	M 6	18	11.0	-	1.20	3.00	1.6
B0023.060-020	M 6	20	11.0	-	1.20	3.00	1.6
B0023.060-025	M 6	25	11.0	-	1.20	3.00	1.6
B0023.060-030	M 6	30	11.0	28	1.20	3.00	1.6
B0023.060-035	M 6	35	11.0	28	1.20	3.00	1.6
B0023.060-040	M 6	40	11.0	28	1.20	3.00	1.6
B0023.060-045	M 6	45	11.0	28	1.20	3.00	1.6
B0023.060-050	M 6	50	11.0	28	1.20	3.00	1.6
B0023.060-060	M 6	60	11.0	28	1.20	3.00	1.6
B0023.060-070	M 6	70	11.0	28	1.20	3.00	1.6
B0023.060-080	M 6	80	11.0	28	1.20	3.00	1.6
B0023.060-090	M 6	90	11.0	28	1.20	3.00	1.6
B0023.060-100	M 6	100	11.0	28	1.20	3.00	1.6
B0023.080-012	M 8	12	14.5	-	1.60	4.0	2.0
B0023.080-016	M 8	16	14.5	-	1.60	4.0	2.0
B0023.080-018	M 8	18	14.5	-	1.60	4.0	2.0
B0023.080-020	M 8	20	14.5	-	1.60	4.0	2.0
B0023.080-025	M 8	25	14.5	-	1.60	4.0	2.0
B0023.080-030	M 8	30	14.5	-	1.60	4.0	2.0
B0023.080-035	M 8	35	14.5	34	1.60	4.0	2.0
B0023.080-040	M 8	40	14.5	34	1.60	4.0	2.0
B0023.080-045	M 8	45	14.5	34	1.60	4.0	2.0
B0023.080-050	M 8	50	14.5	34	1.60	4.0	2.0
B0023.080-060	M 8	60	14.5	34	1.60	4.0	2.0
B0023.080-070	M 8	70	14.5	34	1.60	4.0	2.0
B0023.080-080	M 8	80	14.5	34	1.60	4.0	2.0
B0023.080-090	M 8	90	14.5	34	1.60	4.0	2.0
B0023.100-020	M10	20	18.0	-	2.00	5.0	2.5
B0023.100-025	M10	25	18.0	-	2.00	5.0	2.5
B0023.100-030	M10	30	18.0	-	2.00	5.0	2.5
B0023.100-035	M10	35	18.0	-	2.00	5.0	2.5
B0023.100-040	M10	40	18.0	40	2.00	5.0	2.5
B0023.100-045	M10	45	18.0	40	2.00	5.0	2.5
B0023.100-050	M10	50	18.0	40	2.00	5.0	2.5
B0023.100-060	M10	60	18.0	40	2.00	5.0	2.5
B0023.100-070	M10	70	18.0	40	2.00	5.0	2.5
B0023.100-080	M10	80	18.0	40	2.00	5.0	2.5
B0023.100-090	M10	90	18.0	40	2.00	5.0	2.5
B0023.120-016	M12	16	22.0	-	2.40	6.0	3.0
B0023.120-018	M12	18	22.0	-	2.40	6.0	3.0
B0023.120-020	M12	20	22.0	-	2.40	6.0	3.0

BRASS



Order No.	d ₁	l ₁	d ₂	l ₂	l ₃	h	w
B0023.120-025	M12	25	22.0	-	2.40	6.0	3.0
B0023.120-030	M12	30	22.0	-	2.40	6.0	3.0
B0023.120-035	M12	35	22.0	-	2.40	6.0	3.0
B0023.120-040	M12	40	22.0	-	2.40	6.0	3.0
B0023.120-045	M12	45	22.0	46	2.40	6.0	3.0
B0023.120-050	M12	50	22.0	46	2.40	6.0	3.0
B0023.120-060	M12	60	22.0	46	2.40	6.0	3.0
B0023.120-070	M12	70	22.0	46	2.40	6.0	3.0
B0023.120-080	M12	80	22.0	46	2.40	6.0	3.0
B0023.120-090	M12	90	22.0	46	2.40	6.0	3.0
B0023.120-100	M12	100	22.0	46	2.40	6.0	3.0



B0029.B0

BRASS

Material

Brass, Cu3 (CuZn39Pb3).

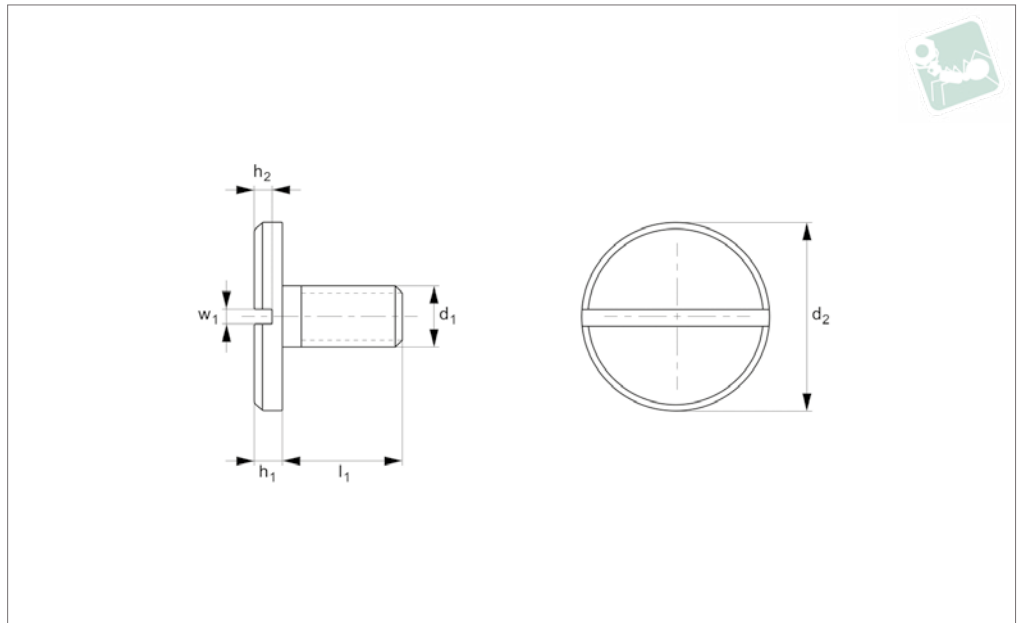
Technical Notes

To DIN 7985. Threaded within 2,5 x pitch of head.

Order No.	d ₁	l ₁	d ₂	h ₁	Size
B0029.030-006	M 3	6	6	2.4	PH-1
B0029.030-008	M 3	8	6	2.4	PH-1
B0029.030-010	M 3	10	6	2.4	PH-1
B0029.030-012	M 3	12	6	2.4	PH-1
B0029.040-006	M 4	6	6	3.1	PH-2
B0029.040-008	M 4	8	6	3.1	PH-2
B0029.040-010	M 4	10	6	3.1	PH-2
B0029.040-012	M 4	12	6	3.1	PH-2
B0029.040-016	M 4	16	6	3.1	PH-2
B0029.040-020	M 4	20	6	3.1	PH-2
B0029.050-008	M 5	8	6	3.8	PH-2
B0029.050-010	M 5	10	6	3.8	PH-2
B0029.050-012	M 5	12	6	3.8	PH-2
B0029.050-016	M 5	16	6	3.8	PH-2
B0029.050-020	M 5	20	6	3.8	PH-2
B0029.050-025	M 5	25	6	3.8	PH-2
B0029.060-010	M 6	10	6	4.6	PH-3
B0029.060-012	M 6	12	6	4.6	PH-3
B0029.060-016	M 6	16	6	4.6	PH-3
B0029.060-020	M 6	20	6	4.6	PH-3
B0029.060-025	M 6	25	6	4.6	PH-3
B0029.060-030	M 6	30	6	4.6	PH-3



B0001.B0



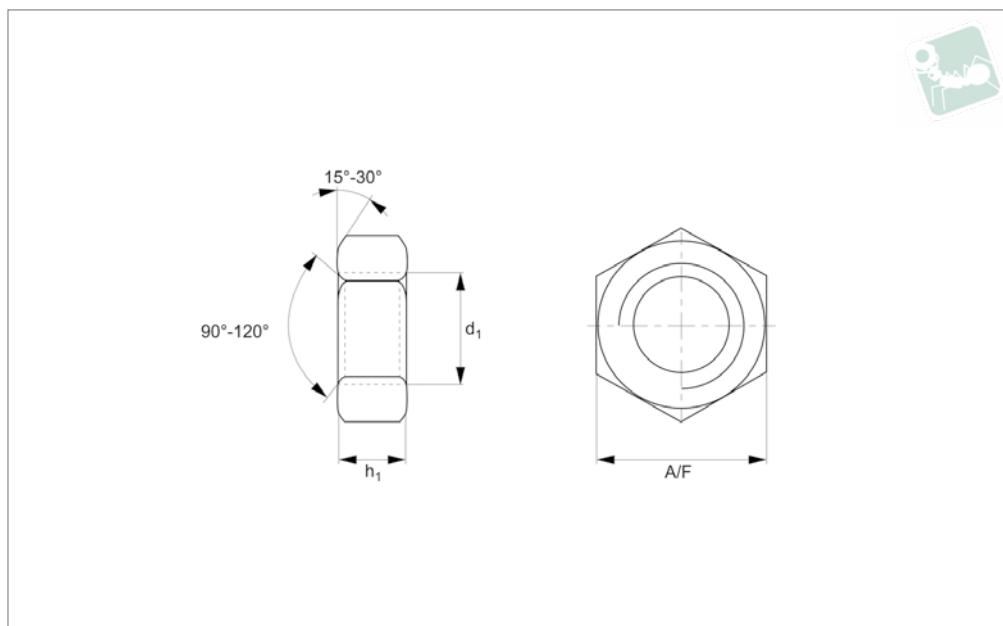
Material

Steel (zinc-plated), stainless steel (A2), or brass.

Technical Notes

To DIN 921.

Order No.	d ₁	l ₁	d ₂	h ₁	h ₂	w ₁	Material
B0001.030-004	M 3	4	8	1.8	0.9	0.8	Brass
B0001.030005B000	M 3	5	8	1.8	0.9	0.8	Brass
B0001.030-006	M 3	6	8	1.8	0.9	0.8	Brass
B0001.030008B000	M 3	8	8	1.8	0.9	0.8	Brass
B0001.030010B000	M 3	10	8	1.8	0.9	0.8	Brass
B0001.040005B000	M 4	5	12	2.4	1.2	1.0	Brass
B0001.040006B000	M 4	6	12	2.4	1.2	1.0	Brass
B0001.040008B000	M 4	8	12	2.4	1.2	1.0	Brass
B0001.040010B000	M 4	10	12	2.4	1.2	1.0	Brass
B0001.040012B000	M 4	12	12	2.4	1.2	1.0	Brass
B0001.040016B000	M 4	16	12	2.4	1.2	1.0	Brass
B0001.050008B000	M 5	8	16	2.7	1.3	1.2	Brass
B0001.050010B000	M 5	10	16	2.7	1.3	1.2	Brass
B0001.050012B000	M 5	12	16	2.7	1.3	1.2	Brass
B0001.050016B000	M 5	16	16	2.7	1.3	1.2	Brass
B0001.050020B000	M 5	20	16	2.7	1.3	1.2	Brass
B0001.060010B000	M 6	10	20	3.1	1.5	1.6	Brass
B0001.060012B000	M 6	12	20	3.1	1.5	1.6	Brass
B0001.060016B000	M 6	16	20	3.1	1.5	1.6	Brass
B0001.060020B000	M 6	20	20	3.1	1.5	1.6	Brass
B0001.060025B000	M 6	25	20	3.1	1.5	1.6	Brass



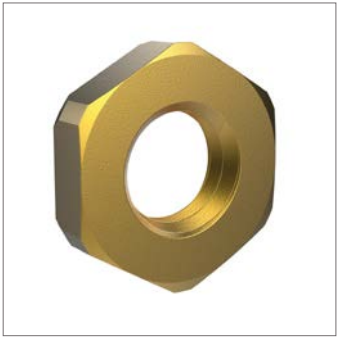
B0504.B0

BRASS

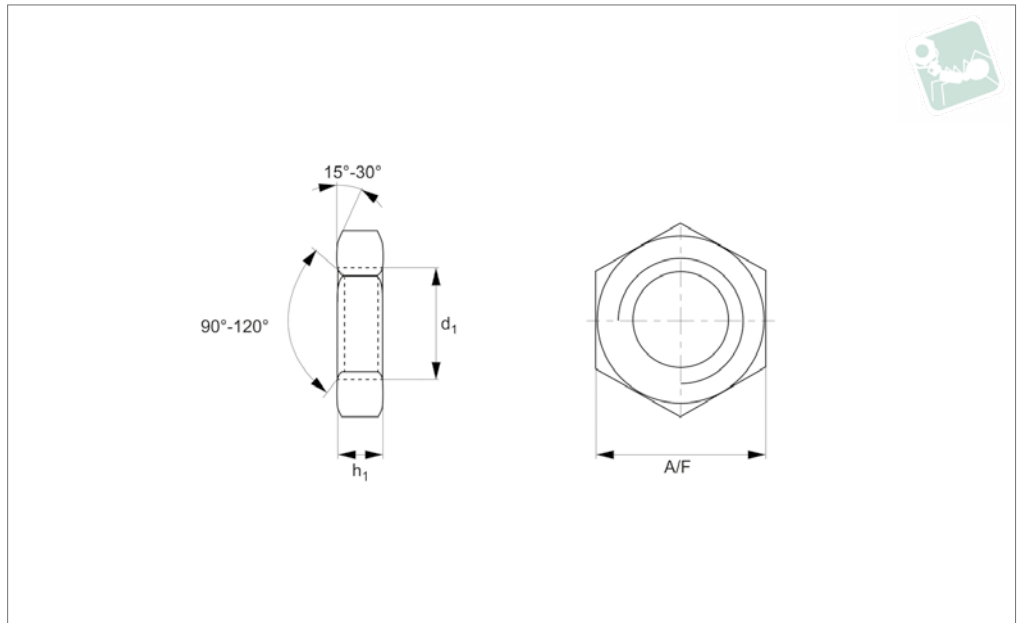
Material
Brass.

Technical Notes
DIN 934. Fine pitch threads.
For coarse thread full nuts see P0301.

Order No.	d ₁	h ₁ min.	A/F	Material
B0504.080100B000	M8x1	6.14	13	Brass
B0504.100100B000	M10x1	7.64	17	Brass
B0504.300150B000	M30x1,5	22.7	46	Brass



B0510.B0



BRASS

Material

Brass, Cu3 (CuZn39Pb3).

Technical Notes

To DIN 439. Fine pitch threads.

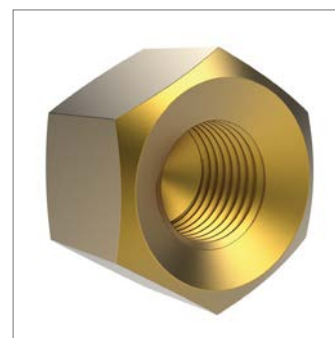
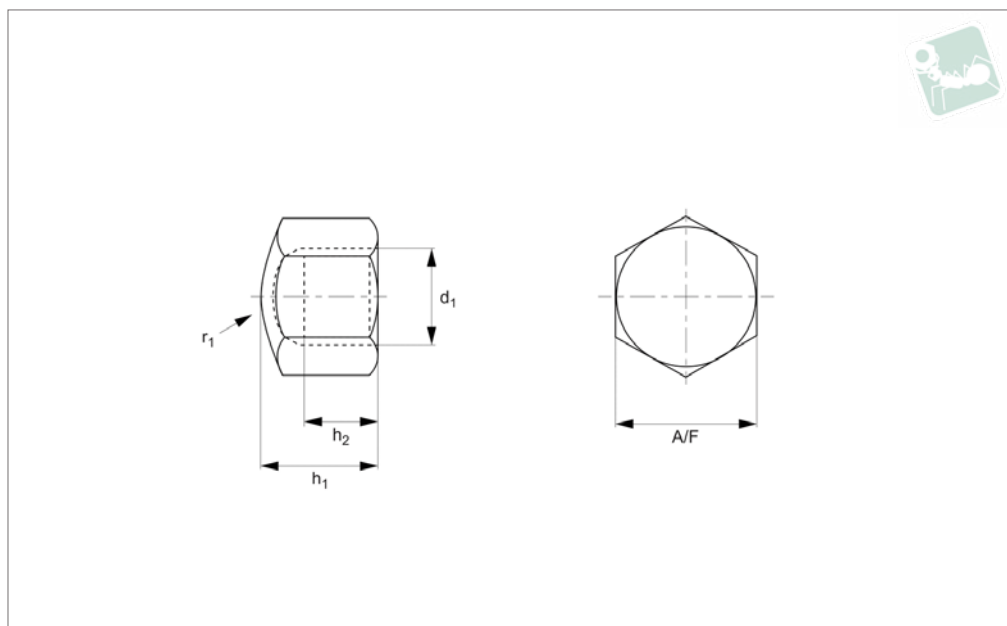
Order No.	Thread d ₁	h ₁	A/F	Material	Finish
B0510.080-100	M 8x1,0	3.7	13	Brass	unfinished
B0510.100-100	M10x1,0	4.7	17	Brass	unfinished
B0510.120-150	M12x1,5	5.7	19	Brass	unfinished
B0510.140-150	M14x1,5	6.42	22	Brass	unfinished
B0510.160-150	M16x1,5	7.42	24	Brass	unfinished
B0510.180-150	M18x1,5	8.42	27	Brass	unfinished
B0510.200-150	M20x1,5	9.1	30	Brass	unfinished
B0510.220-150	M22x1,5	9.9	34	Brass	unfinished
B0510.240-150	M24x1,5	10.9	36	Brass	unfinished
B0510.270-150	M27x1,5	12.4	41	Brass	unfinished
B0510.300-150	M30x1,5	13.9	46	Brass	unfinished



Hexagon Cap Nuts

Low Pattern, DIN 917

Brass



B0513.B0

BRASS

Material

Brass, Cu3 (CuZn39Pb3).

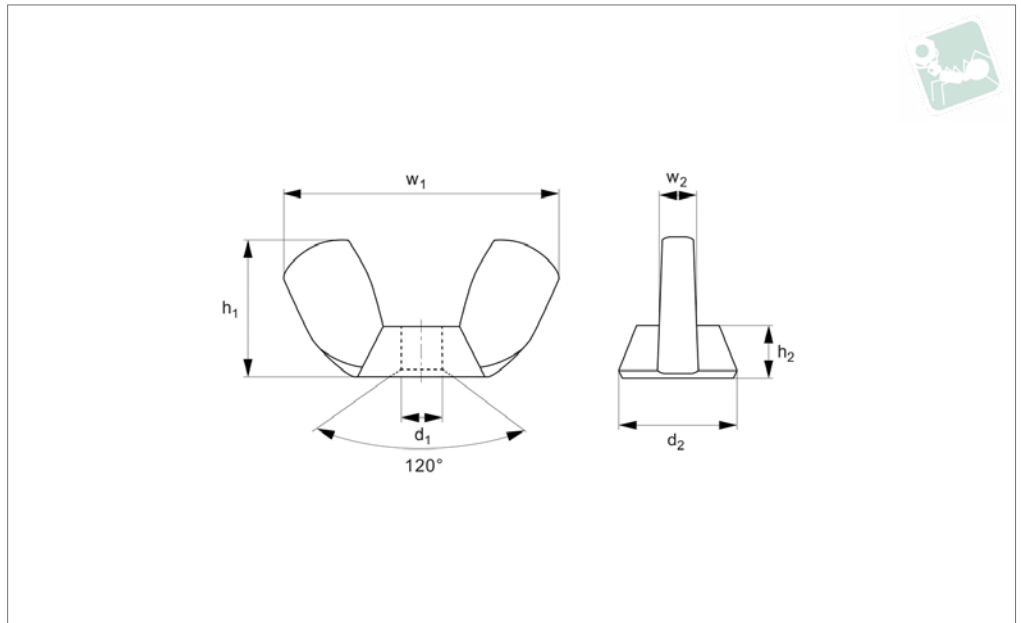
Technical Notes

To DIN 917.

Order No.	Thread d_1	h_1	h_2 min.	A/F	r_1	Material	Finish
B0513.030	M 3	5.0	3.0	5.5	-	Brass	unfinished
B0513.040	M 4	5.5	4.4	7.0	8	Brass	unfinished
B0513.050	M 5	7.0	5.2	8.0	10	Brass	unfinished
B0513.060	M 6	9.0	7.0	10.0	12	Brass	unfinished
B0513.080	M 8	12.0	9.5	13.0	15	Brass	unfinished
B0513.100	M10	14.0	11.0	17.0	20	Brass	unfinished
B0513.120	M12	16.0	13.5	19.0	25	Brass	unfinished
B0513.140	M14	18.0	15.0	22.0	28	Brass	unfinished
B0513.160	M16	20.0	17.0	24.0	30	Brass	unfinished
B0513.200	M20	25.0	21.0	30.0	35	Brass	unfinished



B0525.B0



BRASS

Material

Brass, Cu3 (CuZn39Pb3).

Technical Notes

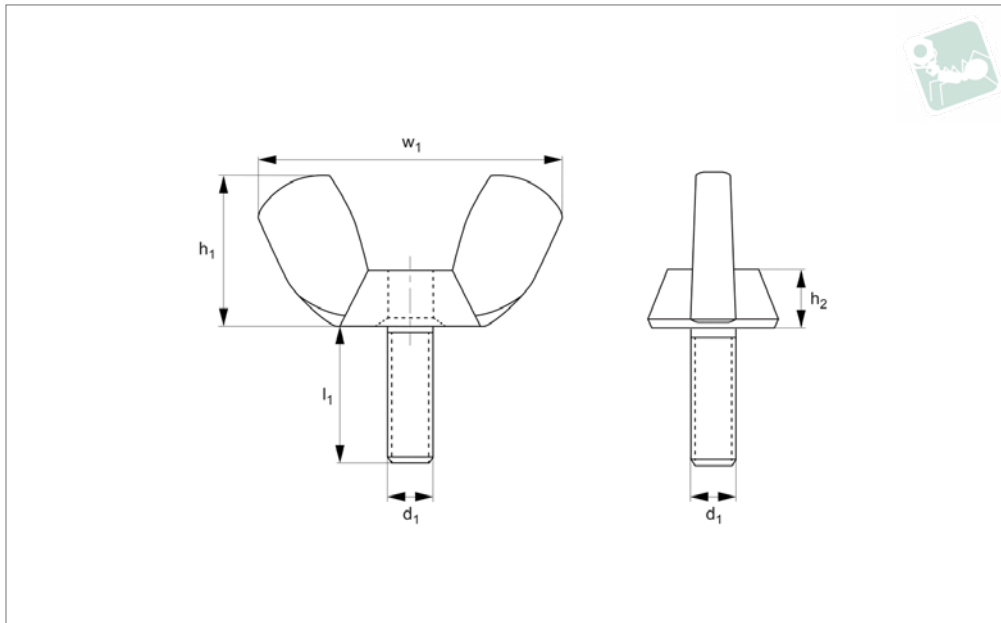
DIN 315

Order No.	d ₁	d ₂	h ₁	h ₂	w ₁	w ₂	Material	Finish
B0525.030	M 3	6.8	8.8	15.3	15.3	1.2	Brass	Unfinished
B0525.040	M 4	8.0	8.8	17.6	17.6	1.6	Brass	Unfinished
B0525.050	M 5	10.3	10.5	22.5	22.5	2.1	Brass	Unfinished
B0525.060	M 6	12.7	12.9	27.8	27.8	2.5	Brass	Unfinished
B0525.080	M 8	13.8	14.8	30.3	30.3	2.8	Brass	Unfinished
B0525.100	M10	16.5	17.3	36.2	36.2	3.3	Brass	Unfinished
B0525.120	M12	22.5	22.3	49.4	49.4	4.5	Brass	Unfinished
B0525.160	M16	26.6	30.8	58.3	58.3	5.5	Brass	Unfinished



Wing Screw male thread

Brass



B0528.B0

BRASS

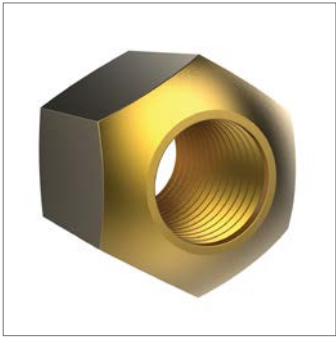
Material

Brass, Cu3 (CuZn39Pb3).

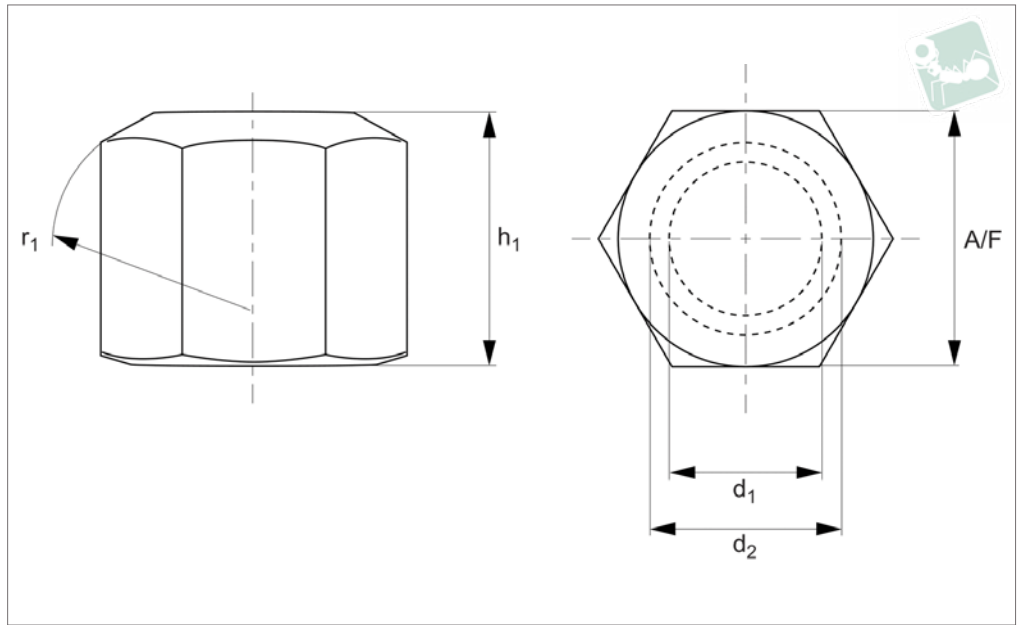
Technical Notes

DIN 316

Order No.	d ₁	h ₁	h ₂	l ₁	w ₁
B0528.050-010	M 5	11.0	4.0	10	24.0
B0528.050-016	M 5	11.0	4.0	16	24.0
B0528.050-020	M 5	11.0	4.0	20	24.0
B0528.050-025	M 5	11.0	4.0	25	24.0
B0528.060-010	M 6	15.0	5.0	10	30.0
B0528.060-016	M 6	15.0	5.0	16	30.0
B0528.060-020	M 6	15.0	5.0	20	30.0
B0528.060-025	M 6	15.0	5.0	25	30.0
B0528.060-030	M 6	15.0	5.0	30	30.0
B0528.060-040	M 6	15.0	5.0	40	30.0
B0528.080-010	M 8	18.0	6.5	10	36.0
B0528.080-016	M 8	18.0	6.5	16	36.0
B0528.080-020	M 8	18.0	6.5	20	36.0
B0528.080-025	M 8	18.0	6.5	25	36.0
B0528.080-030	M 8	18.0	6.5	30	36.0
B0528.080-040	M 8	18.0	6.5	40	36.0
B0528.100-020	M10	23.0	8.0	20	48.0
B0528.100-025	M10	23.0	8.0	25	48.0
B0528.100-030	M10	23.0	8.0	30	48.0
B0528.100-040	M10	23.0	8.0	40	48.0



B0531.B0



Material

Brass, Cu3 (Cuzn39Pb3).

Technical Notes

DIN 6330 B

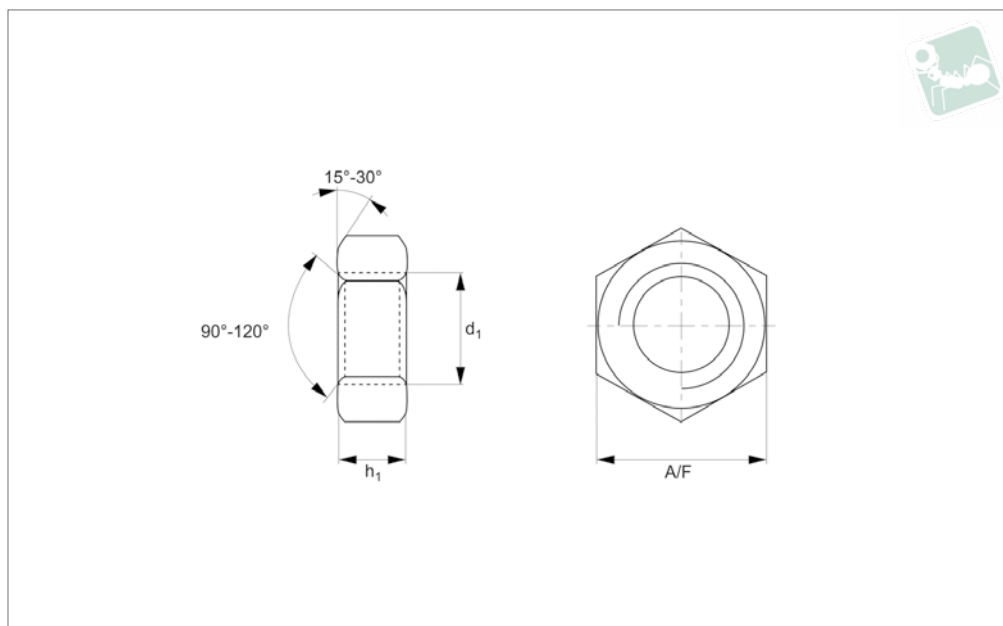
Order No.	d ₁	d ₂	h ₁	A/F	r ₁
B0531.060	M 6	7	9	10	9
B0531.080	M 8	9	12	13	11
B0531.100	M10	11.5	15	16	15
B0531.120	M12	14	18	18	17
B0531.160	M16	18	24	24	22
B0531.200	M20	22	30	30	27
B0531.240	M30	32	45	46	41
B0531.360	M36	38	54	55	50



Full Nuts Coarse Thread

Brass

Brass



B0501.B0

BRASS

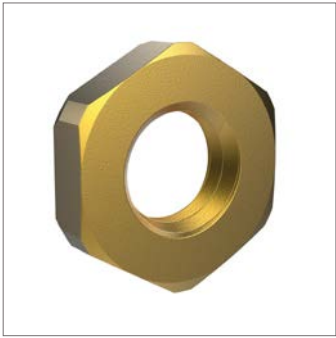
Material
Brass.

threads.
For fine thread full nuts see P0302.

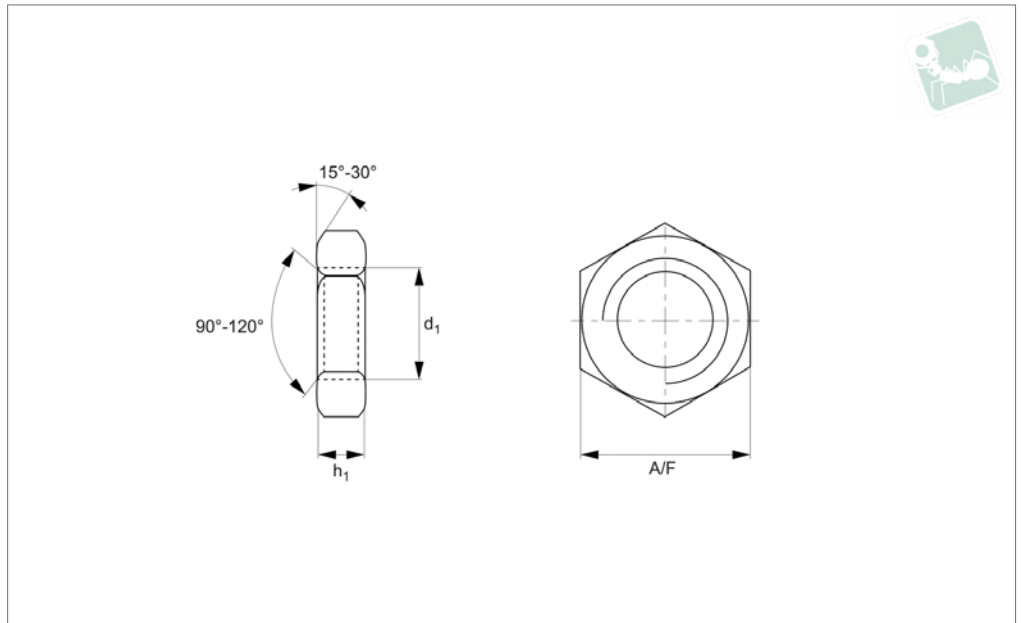
Technical Notes

To DIN 934. Standard metric coarse pitch

Order No.	d ₁	h ₁ min.	A/F	Material
B0501.040B000	M 4	2.9	7	Brass
B0501.060B000	M 6	4.7	10	Brass
B0501.080B000	M 8	6.14	13	Brass
B0501.100B000	M10	7.64	17	Brass
B0501.200B000	M20	14.9	30	Brass
B0501.300B000	M30	22.7	46	Brass



B0507.B0



BRASS

Material

Brass, Cu3 (Cuzn39Pb3).

Technical Notes

To DIN 439. Standard metric coarse pitch threads.

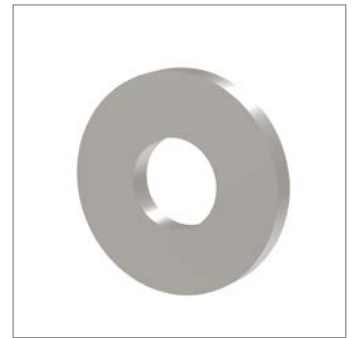
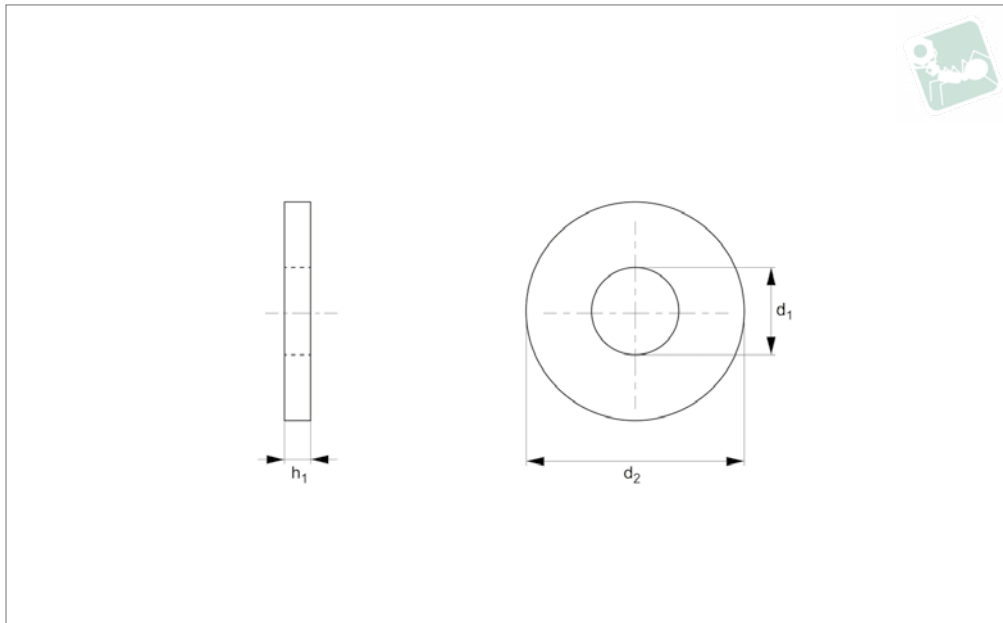
Order No.	Thread	h min.	A/F	Material	Finish
B0507.020	M 2	0.95	4.0	Brass	unfinished
B0507.025	M2,5	1.35	5.0	Brass	unfinished
B0507.030	M 3	1.55	5.5	Brass	unfinished
B0507.040	M 4	1.95	7.0	Brass	unfinished
B0507.050	M 5	2.45	8.0	Brass	unfinished
B0507.060	M 6	2.9	10.0	Brass	unfinished
B0507.080	M 8	3.7	13.0	Brass	unfinished
B0507.100	M10	4.7	17.0	Brass	unfinished
B0507.120	M12	5.7	19.0	Brass	unfinished
B0507.140	M14	6.42	22.0	Brass	unfinished
B0507.160	M16	7.42	24.0	Brass	unfinished
B0507.180	M18	8.42	27.0	Brass	unfinished
B0507.200	M20	9.1	30.0	Brass	unfinished
B0507.220	M22	9.9	34.0	Brass	unfinished
B0507.240	M24	10.9	36.0	Brass	unfinished
B0507.270	M27	12.4	41.0	Brass	unfinished
B0507.300	M30	13.9	46.0	Brass	unfinished
B0507.330	M33	15.4	50.0	Brass	unfinished
B0507.360	M36	16.9	55.0	Brass	unfinished
B0507.420	M42	19.7	55.0	Brass	unfinished



Flat Washers Form B

Brass

Brass



B0403.B0

BRASS

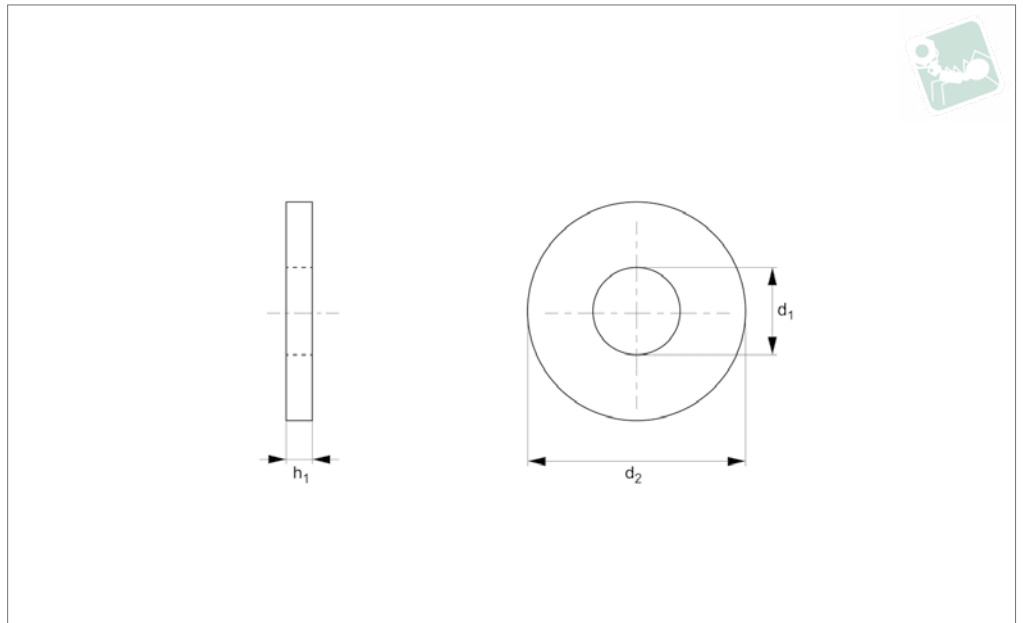
Material
Brass.

Technical Notes
To DIN 125 B, BS4320B.

Order No.	For thread	d_1	h_1	d_2	Material
B0403.080B000	M 8	8.4	1.6	16	Brass
B0403.100B000	M10	10.5	2.0	20	Brass
B0403.160B000	M16	17.0	3.0	30	Brass
B0403.200B000	M20	21.0	3.0	37	Brass
B0403.300B000	M30	31.0	4.0	56	Brass



B0406.B0



Material

Brass, Cu3 (Cuzn39Pb3).

Technical Notes

To DIN 433.

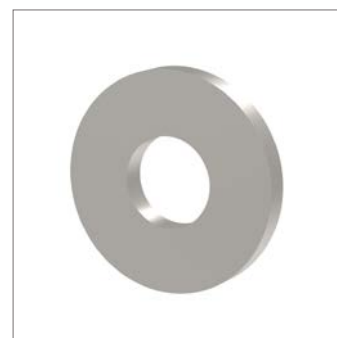
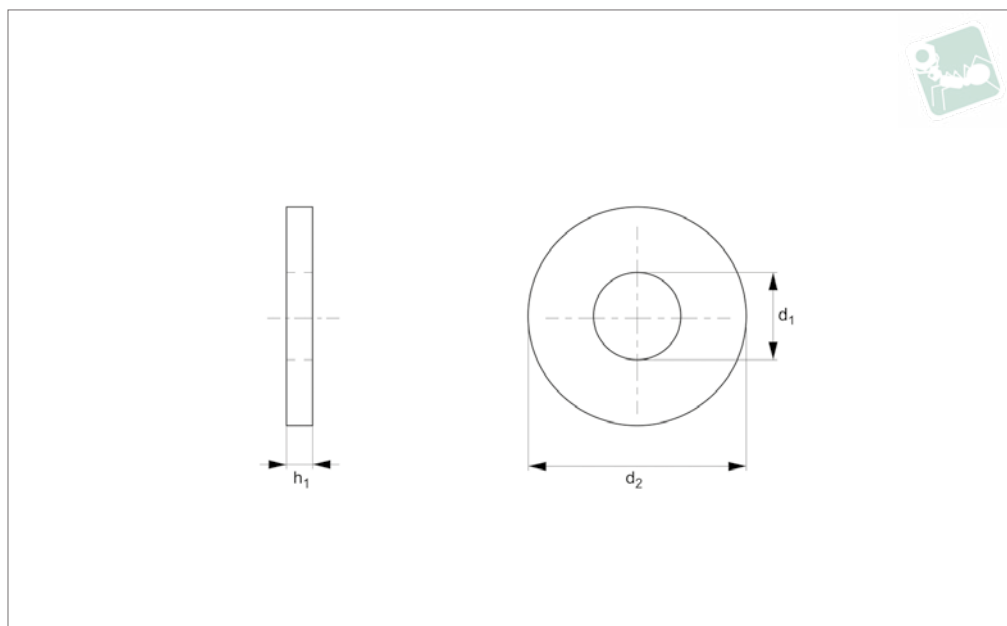
Order No.	Thread	d ₁	d ₂	h ₁	Material	Finish
B0406.022	M 2	2.2	4.5	0.3	Brass	Self colour/Unfinished
B0406.025	M2,5	2.7	6.0	0.5	Brass	Self colour/Unfinished
B0406.027	M2,5	2.7	5.0	0.5	Brass	Self colour/Unfinished
B0406.032	M 3	3.2	6.0	0.5	Brass	Self colour/Unfinished
B0406.037	M3,5	3.7	7.0	0.5	Brass	Self colour/Unfinished
B0406.043	M 4	4.3	8.0	0.8	Brass	Self colour/Unfinished
B0406.053	M 5	5.3	9.0	1.0	Brass	Self colour/Unfinished
B0406.064	M 6	6.4	11	1.6	Brass	Self colour/Unfinished
B0406.084	M 8	8.4	15	1.6	Brass	Self colour/Unfinished
B0406.105	M10	10.5	18	1.6	Brass	Self colour/Unfinished
B0406.120	M12	13.0	20	2.0	Brass	Self colour/Unfinished
B0406.170	M16	17.0	28	2.5	Brass	Self colour/Unfinished
B0406.210	M20	21.0	34	3.0	Brass	Self colour/Unfinished



Large Diameter Washers

Large Diameter- Brass

Brass



B0409.B0

BRASS

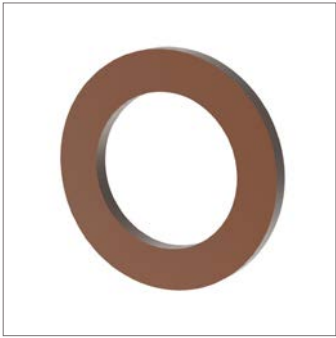
Material

Brass.

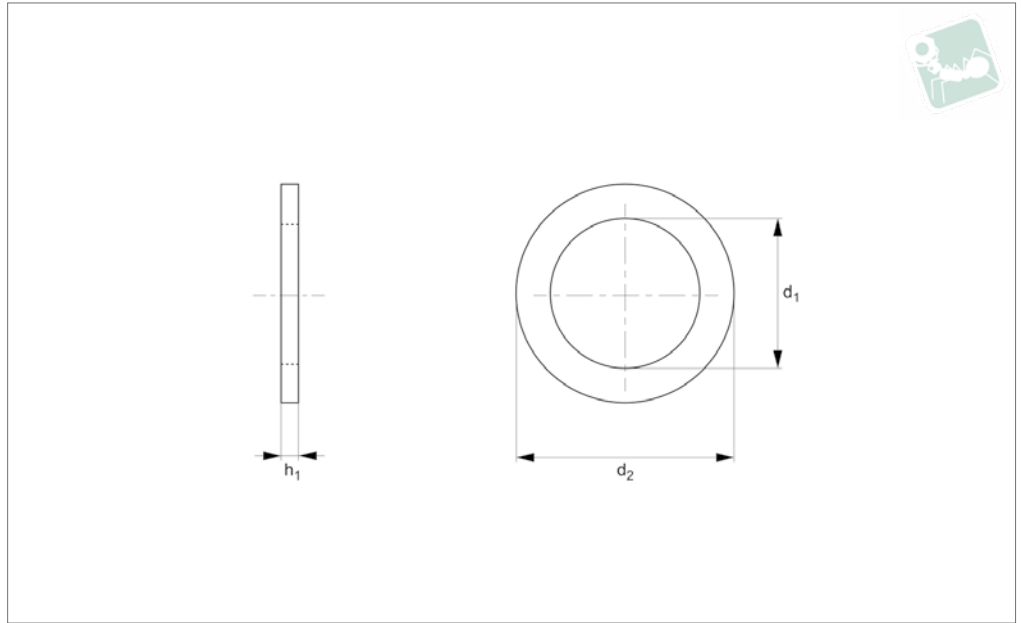
Technical Notes

To DIN 9021, ISO 7093.

Order No.	For thread	d_1	d_2	h_1	Material
B0409.040B000	M 4	4.3	12	1.0	Brass
B0409.050B000	M 5	5.3	15	1.2	Brass
B0409.060B000	M 6	6.4	18	1.6	Brass
B0409.080B000	M 8	8.4	24	2.0	Brass
B0409.100B000	M10	10.5	30	2.5	Brass
B0409.120B000	M12	13.0	37	3.0	Brass
B0409.160B000	M16	17.0	50	3.0	Brass



B0412.B6



Material
Copper.

Technical Notes
To DIN 7603 A. Used as sealing ring for pipe connections and blanking plugs.

Order No.	d ₁	d ₂	h ₁	Suitable for DIN 908 thread	Suitable for pipe thread
B0412.0510010B60	5	10	1.0	-	-
B0412.0610010B60	6	10	1.0	-	-
B0412.0710010B60	7	10	1.0	-	-
B0412.0812010B60	8	12	1.0	M 8 x 1,0	-
B0412.0914010B60	9	14	1.0	-	-
B0412.1014010B60	10	14	1.0	M10 x 1,0	G1/8"
B0412.1016010B60	10	16	1.0	M10 x 1,0	-
B0412.1420010B60	14	20	1.0	-	-
B0412.1520010B60	15	20	1.0	-	-
B0412.0610015B60	6	10	1.5	-	-
B0412.0814015B60	8	14	1.5	M 8 x 1,0	-
B0412.0914015B60	9	14	1.5	M10 x 1,0	-
B0412.1014015B60	10	14	1.5	M10 x 1,0	G1/8"
B0412.1016015B60	10	16	1.5	M10 x 1,0	-
B0412.1420015B60	14	20	1.5	-	-
B0412.1222015B60	14	22	1.5	-	-
B0412.1520015B60	15	20	1.5	-	-
B0412.1620015B60	16	20	1.5	M16 x 1,5	-
B0412.1622015B60	16	22	1.5	-	-
B0412.1721015B60	17	21	1.5	-	G3/8"
B0412.2126015B60	21	26	1.5	-	G1/2"
B0412.2128015B60	21	28	1.5	-	-
B0412.2227015B60	22	27	1.5	M22 x 1,5	-
B0412.2229015B60	22	29	1.5	-	-
B0412.1019020B60	10	19	2.0	-	-
B0412.1318020B60	13	18	2.0	-	-
B0412.1418020B60	14	18	2.0	M14 x 1,5	G1/4"
B0412.2024020B60	20	24	2.0	M20 x 1,5	-
B0412.2128020B60	21	28	2.0	-	-
B0412.2226020B60	22	26	2.0	M22 x 1,5	-
B0412.2229020B60	22	29	2.0	-	-
B0412.2430020B60	24	30	2.0	M24 x 1,5	-
B0412.2432020B60	24	32	2.0	-	-
B0412.2632020B60	26	32	2.0	M26 x 1,5	G3/4"
B0412.2834020B60	28	34	2.0	-	-

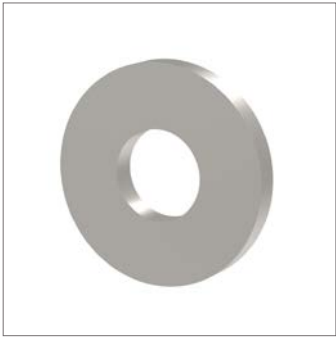


Sealing Rings copper

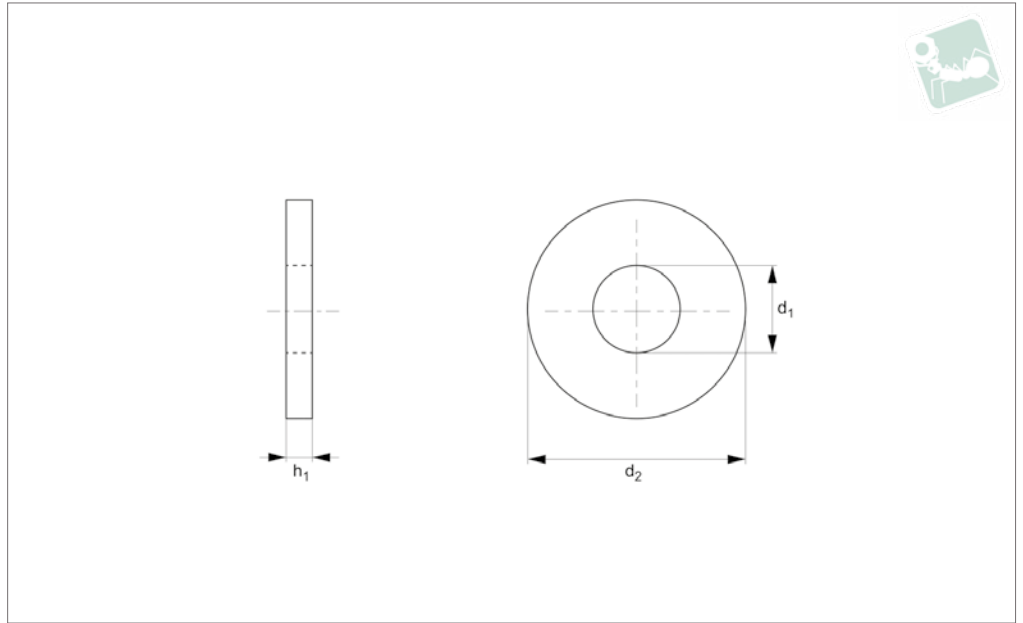
Brass

Order No.	d ₁	d ₂	h ₁	Suitable for DIN 908 thread	Suitable for pipe thread
B0412.3036020B60	30	36	2.0	M30 x 1,5	G7/8"
B0412.3038020B60	30	38	2.0	-	-
B0412.3238020B60	32	38	2.0	-	-
B0412.3240020B60	32	40	2.0	-	-
B0412.3339020B60	33	39	2.0	-	G1"
B0412.3642020B60	36	42	2.0	M36 x 2,0	G1-1/8"
B0412.3844020B60	38	44	2.0	M38 x 2,0	-
B0412.4047020B60	40	47	2.0	-	-
B0412.4552020B60	45	52	2.0	-	-
B0412.5057020B60	50	57	2.0	-	-

BRASS



B0415.B0



BRASS

Material

Brass, Cu3 (CuZn39Pb3).

Technical Notes

To DIN 9021, ISO 7093.

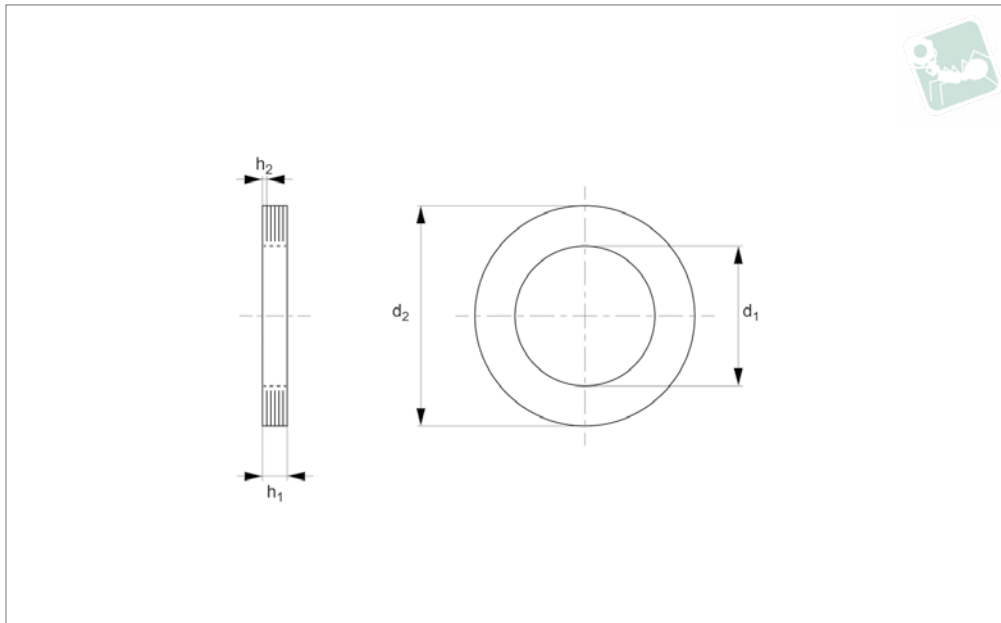
Order No.	For thread	d ₁	d ₂	h ₁	Material	Finished
B0415.030	M 3	3.2	9	0.8	Brass	Unfinished
B0415.040	M 4	4.3	12	1.0	Brass	Unfinished
B0415.050	M 5	5.3	15	1.2	Brass	Unfinished
B0415.060	M 6	6.4	18	1.6	Brass	Unfinished
B0415.080	M 8	8.4	24	2.0	Brass	Unfinished
B0415.100	M10	10.5	30	2.5	Brass	Unfinished
B0415.120	M12	13.0	37	3.0	Brass	Unfinished
B0415.140	M14	15.0	44	3.0	Brass	Unfinished
B0415.160	M16	17.0	50	3.0	Brass	Unfinished
B0415.200	M20	22.0	60	4.0	Brass	Unfinished



Laminated Shim Spacers

brass

Brass



B0418.B0

BRASS

Material

Brass, Cu3 (CuZn39Pb3). With 0,05mm laminations.

Technical Notes

The inner race spacers fits onto shafts and

preloads inner race of ball bearing.

The outer race fits into the housing and preloads outer race of ball bearing.

The outer race fits into the housing and preloads outer race of ball bearing.

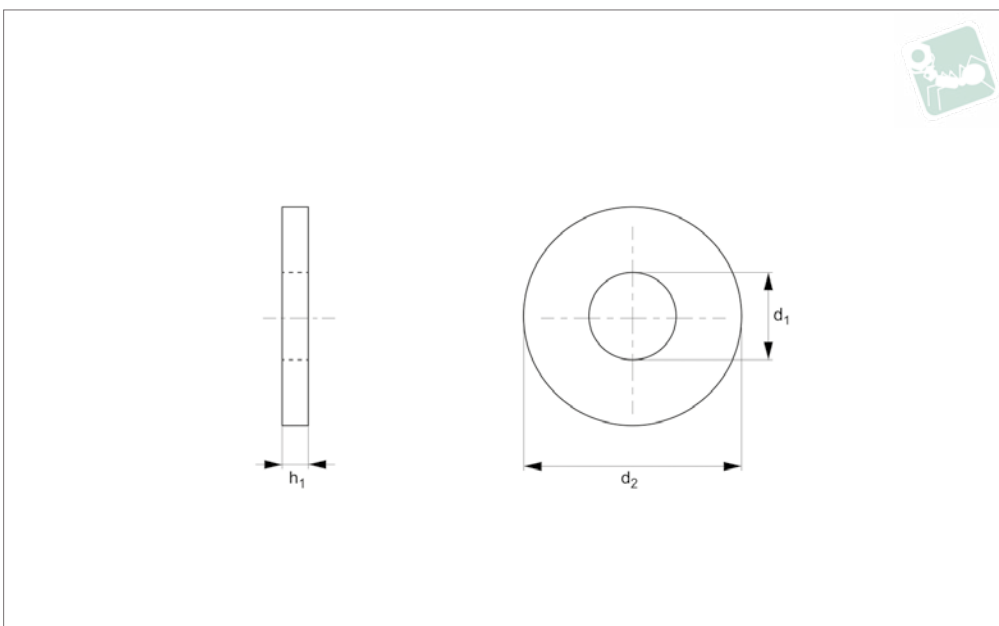
Tips

The laminations can be peeled off as required.

Order No.	For shaft	d ₁ ±0.1	d ₂ +0.0 -0.1	h ₂	h ₁ ±0.1	Finished
B0418.030-I	3	3.2	5.9	0.05	0.8	Laminated
B0418.050-I	5	5.2	9.5	0.05	0.8	Laminated
B0418.060-I	6	6.2	12.7	0.05	0.8	Laminated
B0418.100-I	10	10.2	15.9	0.05	0.8	Laminated
B0418.010-O	10	7.9	10.0	0.05	0.8	Laminated
B0418.013-O	13	9.5	13.0	0.05	0.8	Laminated
B0418.016-O	16	11.1	16.0	0.05	0.8	Laminated



B0400.B0



Material
Brass.

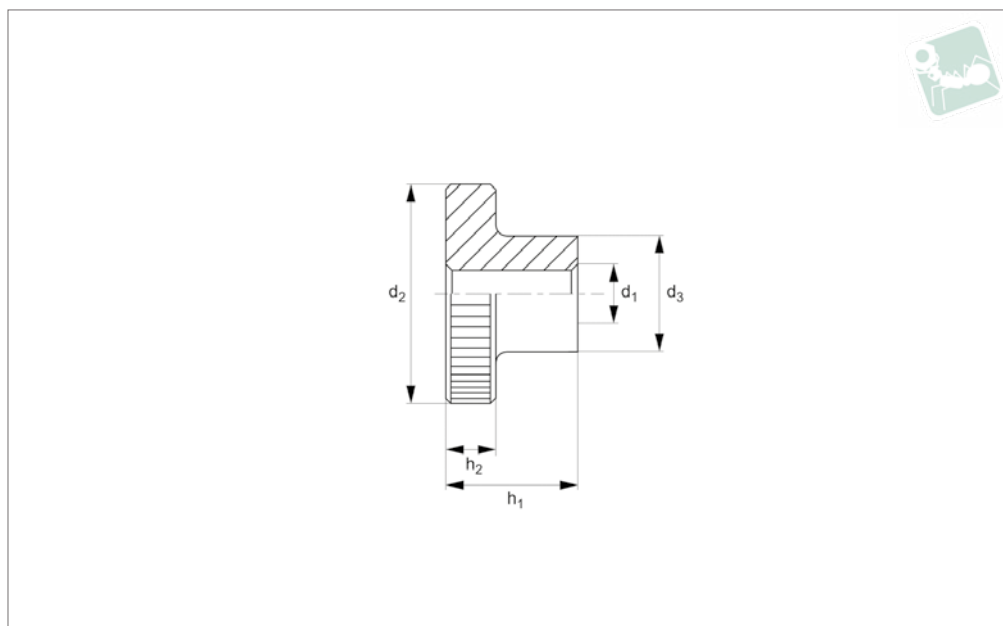
Technical Notes
To DIN 125 A.



Brass Knurled Nuts

DIN 466

Brass



B0103.B0

BRASS

Material

Brass, Cu3 (CuZn39Pb3).

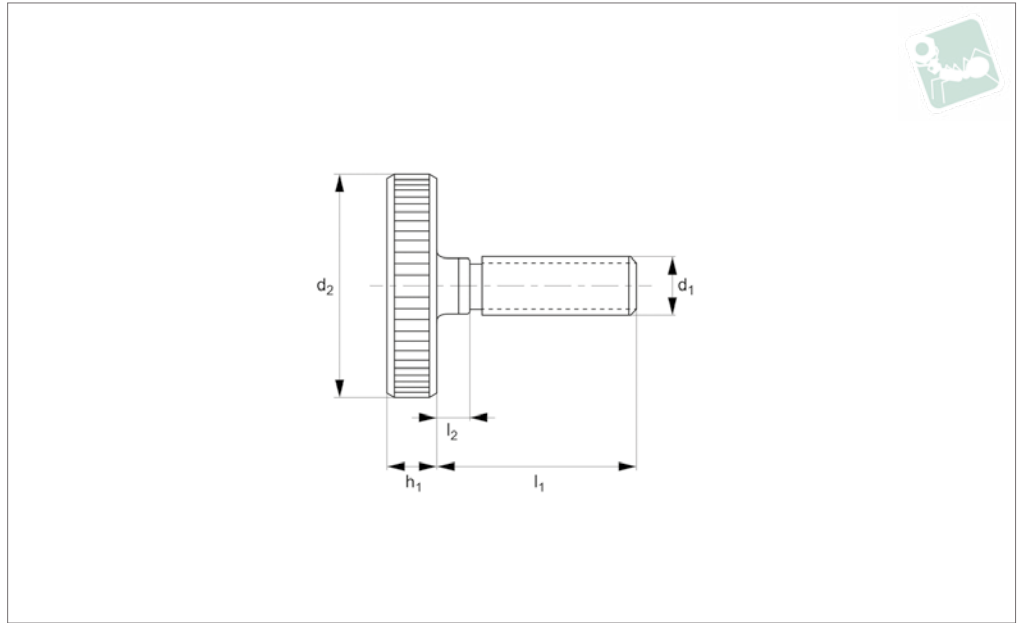
Technical Notes

To DIN 466, size M12 not contained in DIN standard.

Order No.	Thread	d_2	d_3	h_1	h_2	Material	Finish	Weight g
B0103.030	M 3	12	6.0	7.5	2.5	Brass	Self colour/Unfinished	3
B0103.040	M 4	16	8.0	9.5	3.5	Brass	Self colour/Unfinished	7
B0103.050	M 5	20	10	11.5	4.0	Brass	Self colour/Unfinished	13
B0103.060	M 6	24	12	15	5.0	Brass	Self colour/Unfinished	24
B0103.080	M 8	30	16	18	6.0	Brass	Self colour/Unfinished	46
B0103.100	M10	36	20	23	8.0	Brass	Self colour/Unfinished	83



B0106.B0



BRASS

Material

Brass, Cu3 (Cuzn39Pb3).

Technical Notes

To DIN 653.

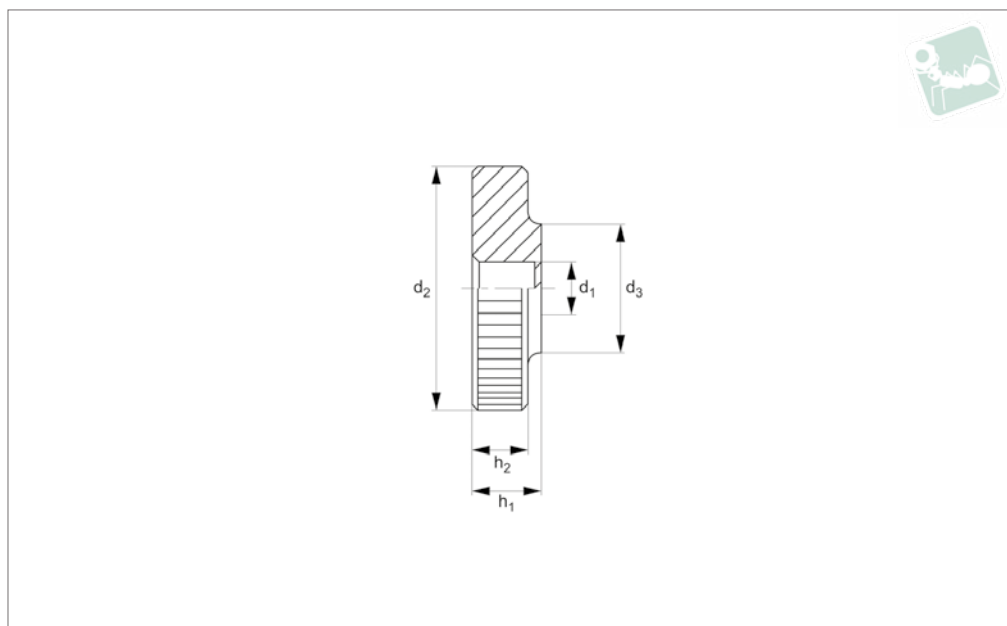
Order No.	Thread	l_1	d_2	h_1	l_2	Material	Weight g
B0106.030-006	M 3	6.0	12	2.5	2.0	Brass	2.3
B0106.030-008	M 3	8.0	12	2.5	2.0	Brass	2.4
B0106.030-010	M 3	10	12	2.5	2.0	Brass	2.5
B0106.030-012	M 3	12	12	2.5	2.0	Brass	2.6
B0106.030-016	M 3	16	12	2.5	2.0	Brass	2.7
B0106.030-020	M 3	20	12	2.5	2.0	Brass	2.7
B0106.030-025	M 3	25	12	2.5	2.0	Brass	2.7
B0106.040-008	M 4	8.0	16	3.5	3.0	Brass	6.1
B0106.040-010	M 4	10	16	3.5	3.0	Brass	6.2
B0106.040-012	M 4	12	16	3.5	3.0	Brass	6.4
B0106.040-016	M 4	16	16	3.5	3.0	Brass	6.7
B0106.040-020	M 4	20	16	3.5	3.0	Brass	6.7
B0106.040-025	M 4	25	16	3.5	3.0	Brass	6.7
B0106.050-008	M 5	8	20	4.0	3.0	Brass	11.0
B0106.050-010	M 5	10	20	4.0	3.0	Brass	11.0
B0106.050-012	M 5	12	20	4.0	3.0	Brass	11.3
B0106.050-016	M 5	16	20	4.0	3.0	Brass	11.7
B0106.050-020	M 5	20	20	4.0	3.0	Brass	12.0
B0106.050-025	M 5	25	20	4.0	3.0	Brass	12.0
B0106.050-030	M 5	30	20	4.0	3.0	Brass	12.0
B0106.060-010	M 6	10	24.0	5.0	4.0	Brass	20.0
B0106.060-012	M 6	12	24.0	5.0	4.0	Brass	20.0
B0106.060-016	M 6	16	24.0	5.0	4.0	Brass	20.4
B0106.060-020	M 6	20	24.0	5.0	4.0	Brass	21.0
B0106.060-025	M 6	25	24.0	5.0	4.0	Brass	25.0
B0106.060-030	M 6	30	24.0	5.0	4.0	Brass	22.0
B0106.060-040	M 6	40	24.0	5.0	4.0	Brass	22.0
B0106.080-016	M 8	16	30.0	6.0	5.0	Brass	40.0
B0106.080-020	M 8	20	30.0	6.0	5.0	Brass	40.0
B0106.080-025	M 8	25	30.0	6.0	5.0	Brass	42.0
B0106.080-030	M 8	30	30.0	6.0	5.0	Brass	43.0
B0106.080-040	M 8	40	30.0	6.0	5.0	Brass	45.0



Brass Flat Knurled Nuts

DIN 467

Brass



B0109.B0

BRASS

Material

Brass, Cu3 (CuZn39Pb3).

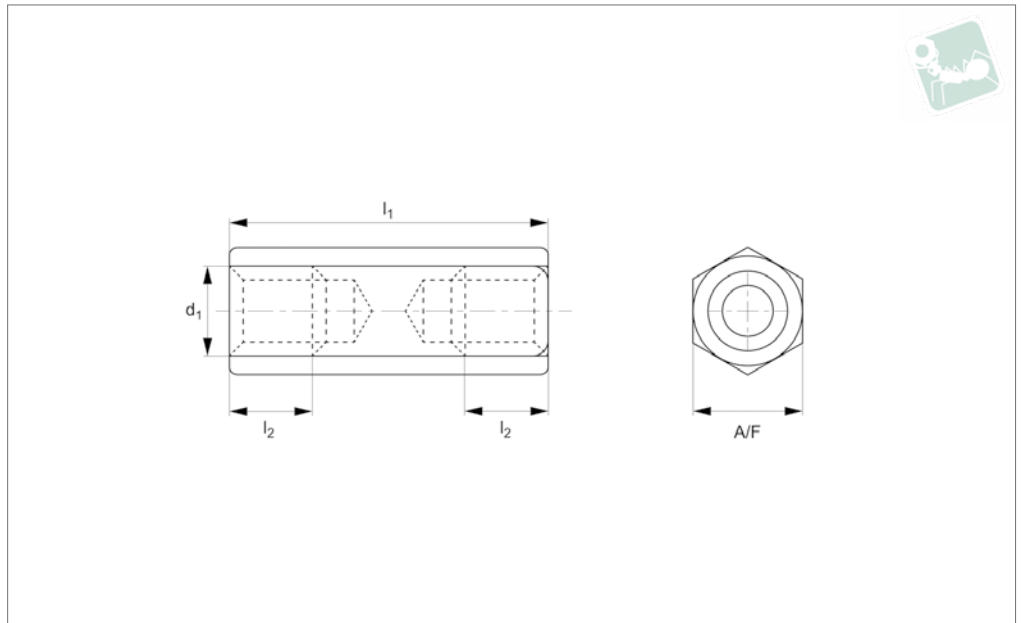
Technical Notes

To DIN 467, size M12 not contained in DIN standard.

Order No.	Thread	d_2	d_3	h_1	h_2	Material	Finish	Weight g
B0109.030	M 3	12.0	6.0	3.0	2.5	Brass	Self colour/Unfinished	2.0
B0109.040	M 4	16.0	8.0	4.0	3.5	Brass	Self colour/Unfinished	5.0
B0109.050	M 5	20.0	10.0	5.0	4.0	Brass	Self colour/Unfinished	10.0
B0109.060	M 6	24.0	12.0	6.0	5.0	Brass	Self colour/Unfinished	17.0
B0109.080	M 8	30.0	16.0	8.0	6.0	Brass	Self colour/Unfinished	33.0
B0109.100	M10	36.0	20.0	10.0	8.0	Brass	Self colour/Unfinished	63.0



B6000.B0



Material

Brass (2.0402), bright nickel-plated.

Technical Notes

$l_3 = (l_2 + >1\text{mm})$.

Order No.	d ₁	l ₁ tol. js13	l ₂	A/F
B6000.020005B004	M2	5	5	4
B6000.020048B004	M2	8	8	4
B6000.020010B004	M2	10	10	4
B6000.020012B004	M2	12	6	4
B6000.020015B004	M2	15	6	4
B6000.020018B004	M2	18	5	4
B6000.020020B004	M2	20	6	4
B6000.020025B004	M2	25	6	4
B6000.020030B004	M2	30	6	4
B6000.020035B004	M2	35	10	4
B6000.020040B004	M2	40	10	4
B6000.020045B004	M2	45	10	4
B6000.025005B004	M2,5	5	5	5
B6000.025008B004	M2,5	8	4	5
B6000.025010B004	M2,5	10	5	5
B6000.025012B004	M2,5	12	6	5
B6000.025015B004	M2,5	15	6	5
B6000.025018B004	M2,5	18	6	5
B6000.025020B004	M2,5	20	6	5
B6000.025025B004	M2,5	25	6	5
B6000.025030B004	M2,5	30	6	5
B6000.025035B004	M2,5	35	6	5
B6000.025040B004	M2,5	40	6	5
B6000.025045B004	M2,5	45	10	5
B6000.030005B004	M3	5	5	5
B6000.030048B004	M3	8	8	5
B6000.030010B004	M3	10	10	5
B6000.030012B004	M3	12	6	5
B6000.030015B004	M3	15	7	5
B6000.030018B004	M3	18	7	5
B6000.030020B004	M3	20	7	5
B6000.030025B004	M3	25	7	5
B6000.030030B004	M3	30	7	5
B6000.030035B004	M3	35	7	5



Brass Hexagonal Spacers

Brass

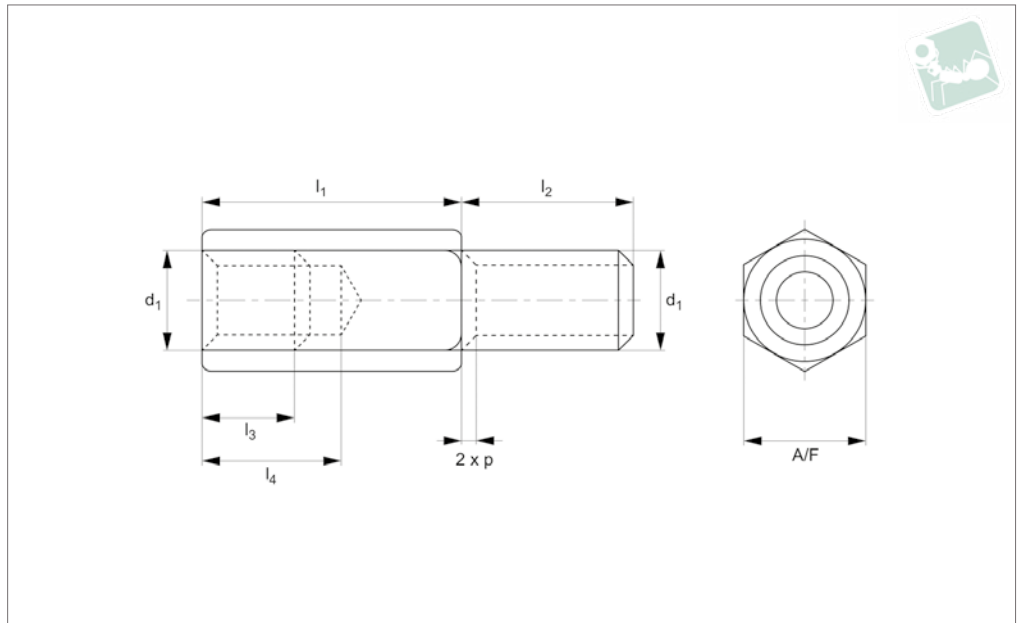
Brass

Order No.	d ₁	l ₁ tol. js13	l ₂	A/F
B6000.030040B004	M3	40	7	5
B6000.030045B004	M3	45	10	5
B6000.030050B004	M3	50	10	5
B6000.040005B004	M4	5	5	7
B6000.040048B004	M4	8	8	7
B6000.040010B004	M4	10	10	7
B6000.040012B004	M4	12	12	7
B6000.040015B004	M4	15	7	7
B6000.040018B004	M4	18	9	7
B6000.040020B004	M4	20	9	7
B6000.040025B004	M4	25	9	7
B6000.040030B004	M4	30	9	7
B6000.040035B004	M4	35	9	7
B6000.040040B004	M4	40	9	7
B6000.040045B004	M4	45	9	7
B6000.040050B004	M4	50	9	7
B6000.040055B004	M4	55	9	7
B6000.040060B004	M4	60	9	7
B6000.050010B004	M5	10	10	8
B6000.050012B004	M5	12	12	8
B6000.050020B004	M5	20	10	8
B6000.050025B004	M5	25	10	8
B6000.050030B004	M5	30	10	8
B6000.050035B004	M5	35	10	8
B6000.050040B004	M5	40	10	8
B6000.050045B004	M5	45	10	8
B6000.050050B004	M5	50	11	8
B6000.050055B004	M5	55	11	8
B6000.050060B004	M5	60	11	8
B6000.050070B004	M5	70	11	8
B6000.050080B004	M5	80	11	8
B6000.060015B004	M6	15	15	10
B6000.060025B004	M6	25	10	10
B6000.060030B004	M6	30	10	10
B6000.060035B004	M6	35	12	10
B6000.060040B004	M6	40	12	10
B6000.060045B004	M6	45	12	10
B6000.060050B004	M6	50	12	10

BRASS



B6003.B0



BRASS

Material

Brass (CZ 121), bright nickel-plated.

Technical Notes

$l_4 = (l_3 + >1\text{mm})$.

Order No.	d ₁	l ₁ tol. js13	l ₂	l ₃	A/F
B6003.020045B004	M 2	5	6	2.8	4
B6003.020048B004	M 2	8	6	6	4
B6003.020010B004	M 2	10	6	7	4
B6003.020012B004	M 2	12	6	7	4
B6003.020015B004	M 2	15	6	7	4
B6003.020020B004	M 2	20	5	7	4
B6003.020025B004	M 2	25	6	7	4
B6003.020030B004	M 2	30	6	7	4
B6003.025005B004	M2,5	5	6	2.5	4
B6003.025008B004	M2,5	8	6	5.5	4
B6003.025010B004	M2,5	10	6	7	4
B6003.025012B004	M2,5	12	6	7	4
B6003.025015B004	M2,5	15	6	7	4
B6003.025018B004	M2,5	18	6	7	4
B6003.025020B004	M2,5	20	6	7	4
B6003.025025B004	M2,5	25	6	7	4
B6003.025030B004	M2,5	30	6	7	4
B6003.025040B004	M2,5	40	6	7	4
B6003.025050B004	M2,5	50	6	7	4
B6003.030005B004	M 3	5	8	2.5	5.5
B6003.030048B004	M 3	8	8	5	5.5
B6003.030010B004	M 3	10	8	6.5	5.5
B6003.030012B004	M 3	12	8	7	5.5
B6003.030015B004	M 3	15	8	8	5.5
B6003.030018B004	M 3	18	8	7	5.5
B6003.030020B004	M 3	20	8	7	5.5
B6003.030025B004	M 3	25	8	7	5.5
B6003.030030B004	M 3	30	8	7	5.5
B6003.030035B004	M 3	35	8	7	5.5
B6003.030040B004	M 3	40	8	7	5.5
B6003.030045B004	M 3	45	8	7	5.5
B6003.030050B004	M 3	50	8	7	5.5
B6003.030055B004	M 3	55	8	7	5.5
B6003.030060B004	M 3	60	8	7	5.5



Brass Hexagonal Pillars

Brass

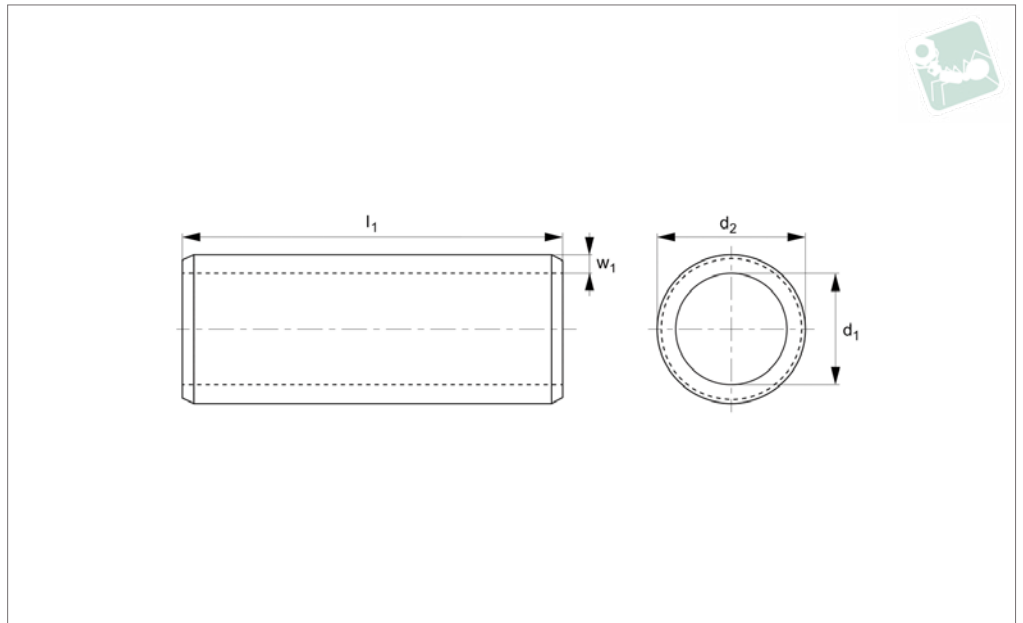
Brass

Order No.	d ₁	l ₁ tol. js13	l ₂	l ₃	A/F
B6003.040005B004	M 4	5	8	2.3	7
B6003.040048B004	M 4	8	8	4.5	7
B6003.040010B004	M 4	10	8	6	7
B6003.040012B004	M 4	12	8	6	7
B6003.040015B004	M 4	15	8	9	7
B6003.040018B004	M 4	18	8	9	7
B6003.040020B004	M 4	20	8	9	7
B6003.040025B004	M 4	25	8	9	7
B6003.040030B004	M 4	30	8	9	7
B6003.040035B004	M 4	35	10	9	7
B6003.040040B004	M 4	40	8	9	7
B6003.040045B004	M 4	45	8	9	7
B6003.040050B004	M 4	50	8	9	7
B6003.040055B004	M 4	55	8	9	7
B6003.040060B004	M 4	60	8	9	7
B6003.040065B004	M 4	65	8	9	7
B6003.040070B004	M 4	70	10	9	7
B6003.040080B004	M 4	80	8	9	7
B6003.050010B004	M 5	10	10	5.5	8
B6003.050012B004	M 5	12	10	8	8
B6003.050015B004	M 5	15	10	9	8
B6003.050018B004	M 5	18	10	10	8
B6003.050020B004	M 5	20	10	10	8
B6003.050025B004	M 5	25	10	10	8
B6003.050030B004	M 5	30	10	10	8
B6003.050035B004	M 5	35	10	10	8
B6003.050040B004	M 5	40	10	10	8
B6003.050045B004	M 5	45	10	10	8
B6003.050050B004	M 5	50	10	10	8
B6003.050060B004	M 5	60	10	10	8
B6003.060015B004	M 6	15	12	11	10
B6003.060020B004	M 6	20	12	12	10
B6003.060025B004	M 6	25	12	12	10
B6003.060030B004	M 6	30	12	12	10
B6003.060045B004	M 6	45	12	12	10

BRASS



B6006.B0



Material

Brass, nickel plated.

Order No.	For thread	l_1	d_1	d_2	w_1
B6006.020001B000	M2	1	2.2	4.0	0.8
B6006.020002B000	M2	2	2.2	4.0	0.8
B6006.020003B000	M2	3	2.2	4.0	0.8
B6006.020004B000	M2	4	2.2	4.0	0.8
B6006.020005B000	M2	5	2.2	4.0	0.8
B6006.020006B000	M2	6	2.2	4.0	0.8
B6006.020008B000	M2	8	2.2	4.0	0.8
B6006.020010B000	M2	10	2.2	4.0	0.8
B6006.020012B000	M2	12	2.2	4.0	0.8
B6006.020015B000	M2	15	2.2	4.0	0.8
B6006.020018B000	M2	18	2.2	4.0	0.8
B6006.020020B000	M2	20	2.2	4.0	0.8
B6006.025001B000	M2,5	1	2.6	4.5	0.9
B6006.025002B000	M2,5	2	2.6	4.5	0.9
B6006.025003B000	M2,5	3	2.6	4.5	0.9
B6006.025004B000	M2,5	4	2.6	4.5	0.9
B6006.025005B000	M2,5	5	2.6	4.5	0.9
B6006.025006B000	M2,5	6	2.6	4.5	0.9
B6006.025008B000	M2,5	8	2.6	4.5	0.9
B6006.025010B000	M2,5	10	2.6	4.5	0.9
B6006.025015B000	M2,5	15	2.6	4.5	0.9
B6006.025020B000	M2,5	20	2.6	4.5	0.9
B6006.030001B000	M3	1	3.2	6.0	0.8
B6006.030002B000	M3	2	3.2	6.0	0.8
B6006.030003B000	M3	3	3.2	6.0	0.8
B6006.030004B000	M3	4	3.2	6.0	0.8
B6006.030005B000	M3	5	3.2	6.0	0.8
B6006.030006B000	M3	6	3.2	6.0	0.8
B6006.030008B000	M3	8	3.2	6.0	0.8
B6006.030010B000	M3	10	3.2	6.0	0.8
B6006.030015B000	M3	15	3.2	6.0	0.8
B6006.030020B000	M3	20	3.2	6.0	0.8
B6006.030025B000	M3	25	3.2	6.0	0.8
B6006.030030B000	M3	30	3.2	6.0	0.8
B6006.030035B000	M3	35	3.2	6.0	0.8



Brass Clearance Spacers

Brass

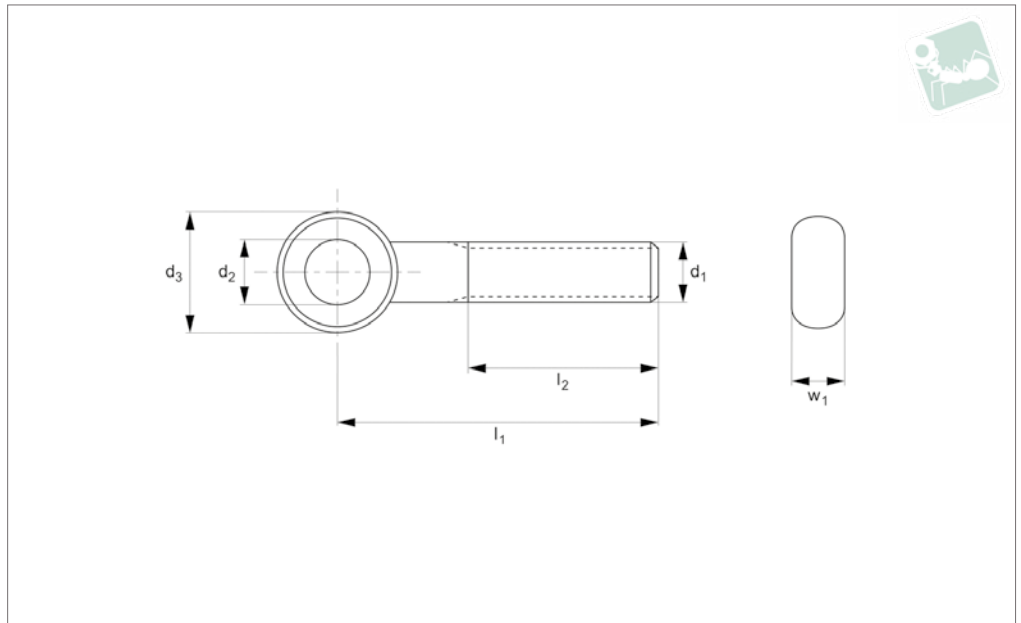
Brass

Order No.	For thread	l_1	d_1	d_2	w_1
B6006.040001B000	M4	1	4.3	8.0	0.75
B6006.040003B000	M4	3	4.3	8.0	0.75
B6006.040004B000	M4	4	4.3	8.0	0.75
B6006.040005B000	M4	5	4.3	8.0	0.75
B6006.040006B000	M4	6	4.3	8.0	0.75
B6006.040008B000	M4	8	4.3	8.0	0.75
B6006.040010B000	M4	10	4.3	8.0	0.75
B6006.040015B000	M4	15	4.3	8.0	0.75
B6006.040020B000	M4	20	4.3	8.0	0.75
B6006.040025B000	M4	25	4.3	8.0	0.75
B6006.040030B000	M4	30	4.3	8.0	0.75
B6006.040035B000	M4	35	4.3	8.0	0.75
B6006.040040B000	M4	40	4.3	8.0	0.75
B6006.040050B000	M4	50	4.3	8.0	0.75
B6006.050001B000	M5	1	5.4	10.0	1.2
B6006.050002B000	M5	2	5.4	10.0	1.2
B6006.050003B000	M5	3	5.4	10.0	1.2
B6006.050005B000	M5	5	5.4	10.0	1.2
B6006.050006B000	M5	6	5.4	10.0	1.2
B6006.050008B000	M5	8	5.4	10.0	1.2
B6006.050010B000	M5	10	5.4	10.0	1.2
B6006.050015B000	M5	15	5.4	10.0	1.2
B6006.050020B000	M5	20	5.4	10.0	1.2
B6006.050025B000	M5	25	5.4	10.0	1.2
B6006.050030B000	M5	30	5.4	10.0	1.2
B6006.050035B000	M5	35	5.4	10.0	1.2
B6006.050040B000	M5	40	5.4	10.0	1.2
B6006.050050B000	M5	50	5.4	10.0	1.2
B6006.060003B000	M6	3	6.4	11.0	1.8
B6006.060005B000	M6	5	6.4	11.0	1.8
B6006.060008B000	M6	8	6.4	11.0	1.8
B6006.060010B000	M6	10	6.4	11.0	1.8
B6006.060015B000	M6	15	6.4	11.0	1.8
B6006.060020B000	M6	20	6.4	11.0	1.8
B6006.060025B000	M6	25	6.4	11.0	1.8
B6006.060030B000	M6	30	6.4	11.0	1.8
B6006.060035B000	M6	35	6.4	11.0	1.8
B6006.060040B000	M6	40	6.4	11.0	1.8
B6006.060050B000	M6	50	6.4	11.0	1.8

BRASS



B1084.B0



BRASS

Material

Brass.

Technical Notes

To DIN 444 B.

Order No.	d ₁ tol. H9	l ₁	d ₂ tol. H7	d ₃	l ₂	w ₁ max.
B1084.060030B000	M6	30	6	14	18	7
B1084.060040B000	M6	40	6	14	18	7
B1084.060050B000	M6	50	6	14	18	7
B1084.080030B000	M8	30	8	18	22	9
B1084.080040B000	M8	40	8	18	22	9
B1084.080050B000	M8	50	8	18	22	9
B1084.080060B000	M8	60	8	18	22	9
B1084.080080B000	M8	80	8	18	22	9
B1084.080100B000	M8	100	8	18	22	9
B1084.100050B000	M10	50	10	20	26	12
B1084.100060B000	M10	60	10	20	26	12
B1084.100080B000	M10	80	10	20	26	12
B1084.100120B000	M10	100	10	20	26	12
B1084.100100B000	M10	120	10	20	26	12
B1084.120040B000	M12	40	12	25	30	14
B1084.120050B000	M12	50	12	25	30	14
B1084.120060B000	M12	60	12	25	30	14
B1084.120080B000	M12	80	12	25	30	14
B1084.120100B000	M12	100	12	25	30	14
B1084.120120B000	M12	120	12	25	30	14
B1084.160060B000	M16	60	16	32	38	17
B1084.160080B000	M16	80	16	32	38	17
B1084.160100B000	M16	100	16	32	38	17
B1084.160120B000	M16	120	16	32	38	17
B1084.200100B000	M20	100	18	40	46	22
B1084.200120B000	M20	120	18	40	46	22
B1084.200140B000	M20	140	18	40	46	22
B1084.200160B000	M20	160	18	40	46	22