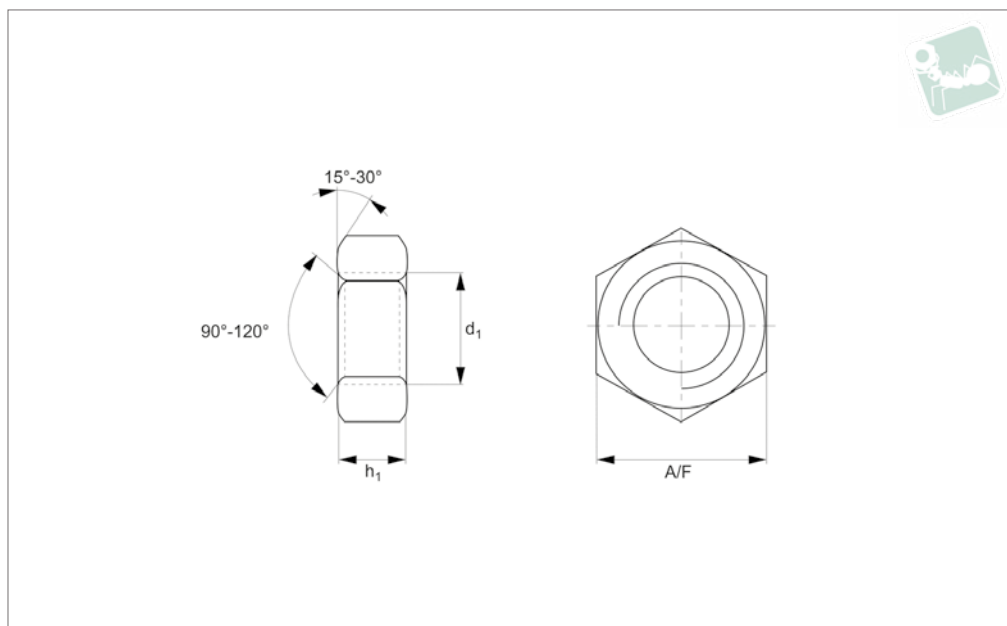




Hexagon Thin Nuts

unchamfered, DIN 439, Titanium G2

Titanium



T0509.T2

TITANIUM

Material
Titanium G2.

Technical Notes
To DIN 439. Standard metric coarse pitch threads.

Order No.	Thread	h_1	A/F	Material
T0509.020-T2-00	M 2	0.95	4	Titanium G2
T0509.030-T2-00	M 3	1.55	5.5	Titanium G2
T0509.040-T2-00	M 4	1.95	7.0	Titanium G2
T0509.050-T2-00	M 5	2.7	8	Titanium G2
T0509.060-T2-00	M 6	3.2	10	Titanium G2
T0509.080-T2-00	M 8	4.0	13	Titanium G2
T0509.100-125-T2-00	M10x1,25	4.7	17	Titanium G2
T0509.100-T2-00	M10	5.0	17	Titanium G2
T0509.120-T2-00	M12	5.7	19	Titanium G2
T0509.160-T2-00	M16	7.42	24	Titanium G2
T0509.200-T2-00	M20	9.1	30	Titanium G2
T0509.025-T2-00	M2.5	1.35	5	Titanium G2