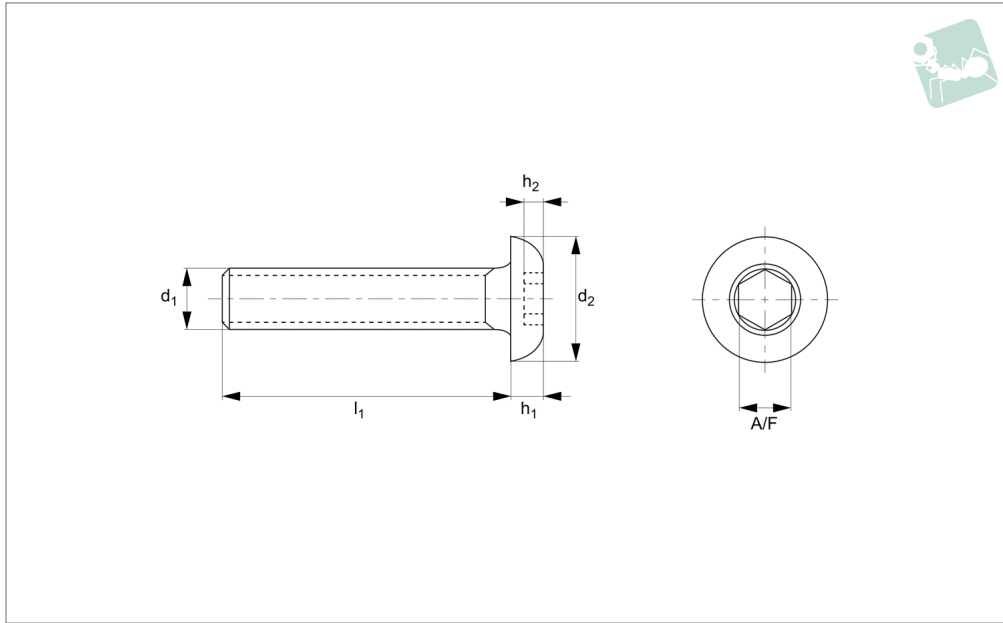




Buttonhead Socket Cap Screw

titanium G2

Titanium



T0019.T2

TITANIUM

Material

Titanium G2.

Order No.	Thread	l_1	d_2	h_1	h_2	A/F
T0019.050-016-T2-A	M 5	16.0	9.0	3.0	1.56	3.0
T0019.050-016-T2-B	M 5	16.0	10.5	3.0	1.56	3.0
T0019.050-025-T2-A	M 5	25.0	9.0	3.0	1.56	3.0
T0019.050-025-T2-B	M 5	25.0	10.5	3.0	1.56	3.0
T0019.060-016-T2-A	M 6	16.0	10.5	3.3	2.08	4.0
T0019.060-016-T2-B	M 6	16.0	16.0	3.3	2.08	4.0
T0019.060-025-T2-A	M 6	25.0	10.5	3.3	2.08	4.0
T0019.060-025-T2-B	M 6	25.0	16.0	3.3	2.08	4.0
T0019.080-020-T2-A	M 8	20.0	14.0	4.5	2.08	5.0
T0019.080-020-T2-B	M 8	20.0	16.0	4.5	2.08	5.0
T0019.080-030-T2-A	M 8	30.0	14.0	4.5	2.08	5.0
T0019.080-030-T2-B	M 8	30.0	16.0	4.5	2.08	5.0