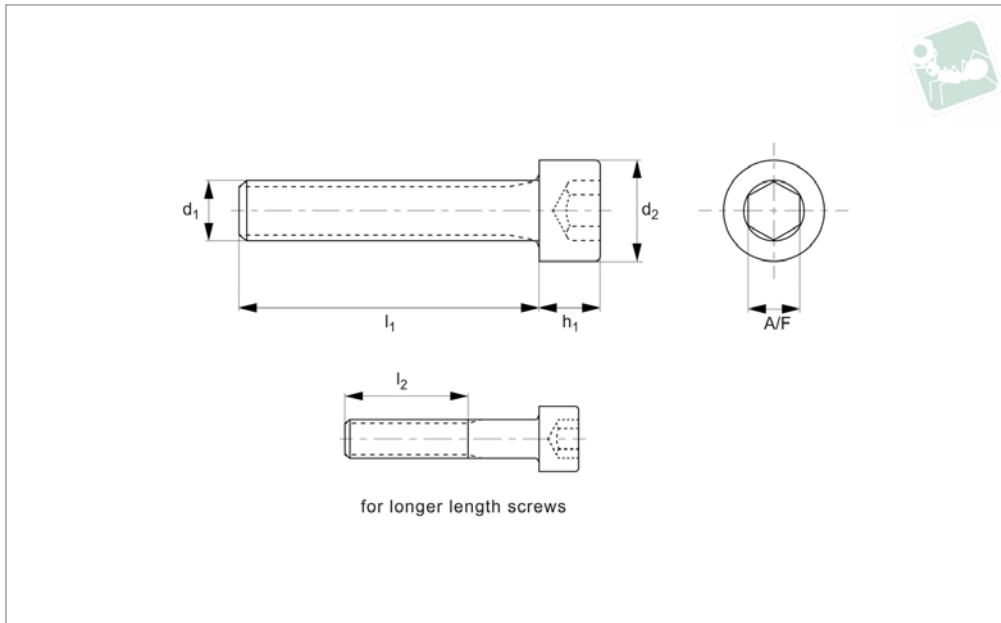




Socket Cap Screw - M2 - M8

DIN 912 Gr.5

Titanium



T0010.91T.3

TITANIUM

Material

Titanium Grade 5 (aerospace grade Ti 6Al-4V Titanium alloy, good strength to weight ratio, corrosion resistant).

Technical Notes

Items to DIN 912 where stated in data

table.

For the majority of screw lengths the threads goes all the way to the head of the screw (i.e. $l_1 = l_2$) less 2.5 thread pitches.

For longer length screws the threaded portion $l_2 < l_1$.

Order No.	d_1	l_1	d_2	h_1	l_2	A/F	Finish	Material
91T.020.0060.5AD	M 2	6	4.0	2.0	-	2	Natural	Ti-G5
91T.020.0080.5AD	M 2	8	4.0	2.0	-	2	Natural	Ti-G5
91T.020.0100.5AD	M 2	10	4.0	2.0	-	2	Natural	Ti-G5
91T.020.0120.5AD	M 2	12	4.0	2.0	-	2	Natural	Ti-G5
91T.020.0150.5AD	M 2	15	4.0	2.0	-	2	Natural	Ti-G5
91T.020.0160.5AD	M 2	16	4.0	2.0	-	2	Natural	Ti-G5
91T.020.0200.5AD	M 2	20	4.0	2.0	18.0	2	Natural	Ti-G5
91T.020.0250.5AD	M 2	25	4.0	2.0	18.0	2	Natural	Ti-G5
91T.020.0300.5AD	M 2	30	4.0	2.0	18.0	2	Natural	Ti-G5
91T.025.0060.5AD	M2,5	6	5.0	2.5	-	2	Natural	Ti-G5
91T.025.0080.5AD	M2,5	8	5.0	2.5	-	2	Natural	Ti-G5
91T.025.0100.5AD	M2,5	10	5.0	2.5	-	2	Natural	Ti-G5
91T.025.0120.5AD	M2,5	12	5.0	2.5	-	2	Natural	Ti-G5
91T.025.0150.5AD	M2,5	15	5.0	2.5	-	2	Natural	Ti-G5
91T.025.0160.5AD	M2,5	16	5.0	2.5	-	2	Natural	Ti-G5
91T.025.0200.5AD	M2,5	20	5.0	2.5	18.5	2	Natural	Ti-G5
91T.025.0250.5AD	M2,5	25	5.0	2.5	18.5	2	Natural	Ti-G5
91T.025.0300.5AD	M2,5	30	5.0	2.5	18.5	2	Natural	Ti-G5
91T.025.0350.5AD	M2,5	35	5.0	2.5	18.5	2	Natural	Ti-G5
91T.025.0400.5AD	M2,5	40	5.0	2.5	18.5	2	Natural	Ti-G5
91T.030.0060.5AD	M 3	6	5.5	3.0	-	2	Natural	Ti-G5
91T.030.0080.5AD	M 3	8	5.5	3.0	-	2	Natural	Ti-G5
91T.030.0100.5AD	M 3	10	5.5	3.0	-	2	Natural	Ti-G5
91T.030.0120.5AD	M 3	12	5.5	3.0	-	2	Natural	Ti-G5
91T.030.0150.5AD	M 3	15	5.5	3.0	-	2	Natural	Ti-G5
91T.030.0160.5AD	M 3	16	5.5	3.0	-	2	Natural	Ti-G5
91T.030.0200.5AD	M 3	20	5.5	3.0	19.0	2	Natural	Ti-G5
91T.030.0250.5AD	M 3	25	5.5	3.0	19.0	2	Natural	Ti-G5
91T.030.0300.5AD	M 3	30	5.5	3.0	19.0	2	Natural	Ti-G5
91T.030.0350.5AD	M 3	35	5.5	3.0	19.0	2	Natural	Ti-G5
91T.030.0400.5AD	M 3	40	5.5	3.0	19.0	2	Natural	Ti-G5
91T.030.0450.5AD	M 3	45	5.5	3.0	19.0	2	Natural	Ti-G5



Order No.	d ₁	l ₁	d ₂	h ₁	l ₂	A/F	Finish	Material
91T.030.0500.5AD	M 3	50	5.5	3.0	19.0	2	Natural	Ti-G5
91T.030.0550.5AD	M 3	55	5.5	3.0	19.0	2	Natural	Ti-G5
91T.030.0600.5AD	M 3	60	5.5	3.0	19.0	2	Natural	Ti-G5
91T.040.0060.5AD	M 4	6	7.0	4.0	-	3	Natural	Ti-G5
91T.040.0080.5AD	M 4	8	7.0	4.0	-	3	Natural	Ti-G5
91T.040.0100.5AD	M 4	10	7.0	4.0	-	3	Natural	Ti-G5
91T.040.0120.5AD	M 4	12	7.0	4.0	-	3	Natural	Ti-G5
91T.040.0150.5AD	M 4	15	7.0	4.0	-	3	Natural	Ti-G5
91T.040.0160.5AD	M 4	16	7.0	4.0	-	3	Natural	Ti-G5
91T.040.0200.5AD	M 4	20	7.0	4.0	20.0	3	Natural	Ti-G5
91T.040.0250.5AD	M 4	25	7.0	4.0	20.0	3	Natural	Ti-G5
91T.040.0300.5AD	M 4	30	7.0	4.0	20.0	3	Natural	Ti-G5
91T.040.0350.5AD	M 4	35	7.0	4.0	20.0	3	Natural	Ti-G5
91T.040.0400.5AD	M 4	40	7.0	4.0	20.0	3	Natural	Ti-G5
91T.040.0450.5AD	M 4	45	7.0	4.0	20.0	3	Natural	Ti-G5
91T.040.0500.5AD	M 4	50	7.0	4.0	20.0	3	Natural	Ti-G5
91T.040.0550.5AD	M 4	55	7.0	4.0	20.0	3	Natural	Ti-G5
91T.040.0600.5AD	M 4	60	7.0	4.0	20.0	3	Natural	Ti-G5
91T.040.0650.5AD	M 4	65	7.0	4.0	20.0	3	Natural	Ti-G5
91T.040.0700.5AD	M 4	70	7.0	4.0	20.0	3	Natural	Ti-G5
91T.040.0750.5AD	M 4	75	7.0	4.0	20.0	3	Natural	Ti-G5
91T.040.0800.5AD	M 4	80	7.0	4.0	20.0	3	Natural	Ti-G5
91T.050.0060.5AD	M 5	6	8.5	5.0	-	4	Natural	Ti-G5
91T.050.0080.5AD	M 5	8	8.5	5.0	-	4	Natural	Ti-G5
91T.050.0100.5AD	M 5	10	8.5	5.0	-	4	Natural	Ti-G5
91T.050.0120.5AD	M 5	12	8.5	5.0	-	4	Natural	Ti-G5
91T.050.0150.5AD	M 5	15	8.5	5.0	-	4	Natural	Ti-G5
91T.050.0160.5AD	M 5	16	8.5	5.0	-	4	Natural	Ti-G5
91T.050.0200.5AD	M 5	20	8.5	5.0	-	4	Natural	Ti-G5
91T.050.0250.5AD	M 5	25	8.5	5.0	22.0	4	Natural	Ti-G5
91T.050.0300.5AD	M 5	30	8.5	5.0	22.0	4	Natural	Ti-G5
91T.050.0350.5AD	M 5	35	8.5	5.0	22.0	4	Natural	Ti-G5
91T.050.0400.5AD	M 5	40	8.5	5.0	22.0	4	Natural	Ti-G5
91T.050.0450.5AD	M 5	45	8.5	5.0	22.0	4	Natural	Ti-G5
91T.050.0500.5AD	M 5	50	8.5	5.0	22.0	4	Natural	Ti-G5
91T.050.0550.5AD	M 5	55	8.5	5.0	22.0	4	Natural	Ti-G5
91T.050.0600.5AD	M 5	60	8.5	5.0	22.0	4	Natural	Ti-G5
91T.050.0650.5AD	M 5	65	8.5	5.0	22.0	4	Natural	Ti-G5
91T.050.0700.5AD	M 5	70	8.5	5.0	22.0	4	Natural	Ti-G5
91T.050.0750.5AD	M 5	75	8.5	5.0	22.0	4	Natural	Ti-G5
91T.050.0800.5AD	M 5	80	8.5	5.0	22.0	4	Natural	Ti-G5
91T.050.0850.5AD	M 5	85	8.5	5.0	22.0	4	Natural	Ti-G5
91T.050.0900.5AD	M 5	90	8.5	5.0	22.0	4	Natural	Ti-G5
91T.050.0950.5AD	M 5	95	8.5	5.0	22.0	4	Natural	Ti-G5
91T.050.1000.5AD	M 5	100	8.5	5.0	22.0	4	Natural	Ti-G5
91T.060.0060.5AD	M 6	6	10.0	6.0	-	5	Natural	Ti-G5
91T.060.0080.5AD	M 6	8	10.0	6.0	-	5	Natural	Ti-G5
91T.060.0100.5AD	M 6	10	10.0	6.0	-	5	Natural	Ti-G5
91T.060.0120.5AD	M 6	12	10.0	6.0	-	5	Natural	Ti-G5
91T.060.0150.5AD	M 6	15	10.0	6.0	-	5	Natural	Ti-G5
91T.060.0160.5AD	M 6	16	10.0	6.0	-	5	Natural	Ti-G5
91T.060.0200.5AD	M 6	20	10.0	6.0	-	5	Natural	Ti-G5
91T.060.0250.5AD	M 6	25	10.0	6.0	24.0	5	Natural	Ti-G5
91T.060.0300.5AD	M 6	30	10.0	6.0	24.0	5	Natural	Ti-G5
91T.060.0350.5AD	M 6	35	10.0	6.0	24.0	5	Natural	Ti-G5
91T.060.0400.5AD	M 6	40	10.0	6.0	24.0	5	Natural	Ti-G5
91T.060.0450.5AD	M 6	45	10.0	6.0	24.0	5	Natural	Ti-G5
91T.060.0500.5AD	M 6	50	10.0	6.0	24.0	5	Natural	Ti-G5
91T.060.0550.5AD	M 6	55	10.0	6.0	24.0	5	Natural	Ti-G5
91T.060.0600.5AD	M 6	60	10.0	6.0	24.0	5	Natural	Ti-G5
91T.060.0650.5AD	M 6	65	10.0	6.0	24.0	5	Natural	Ti-G5
91T.060.0700.5AD	M 6	70	10.0	6.0	24.0	5	Natural	Ti-G5
91T.060.0750.5AD	M 6	75	10.0	6.0	24.0	5	Natural	Ti-G5
91T.060.0800.5AD	M 6	80	10.0	6.0	24.0	5	Natural	Ti-G5
91T.060.0850.5AD	M 6	85	10.0	6.0	24.0	5	Natural	Ti-G5
91T.060.0900.5AD	M 6	90	10.0	6.0	24.0	5	Natural	Ti-G5
91T.060.0950.5AD	M 6	95	10.0	6.0	24.0	5	Natural	Ti-G5
91T.060.1000.5AD	M 6	100	10.0	6.0	24.0	5	Natural	Ti-G5
91T.060.1100.5AD	M 6	110	10.0	6.0	24.0	5	Natural	Ti-G5



Socket Cap Screw - M2 - M8

DIN 912 Gr.5

Titanium

Order No.	d ₁	l ₁	d ₂	h ₁	l ₂	A/F	Finish	Material
91T.060.1200.5AD	M 6	120	10.0	6.0	24.0	5	Natural	Ti-G5
91T.060.1300.5AD	M 6	130	10.0	6.0	24.0	5	Natural	Ti-G5
91T.060.1400.5AD	M 6	140	10.0	6.0	24.0	5	Natural	Ti-G5
91T.060.1500.5AD	M 6	150	10.0	6.0	24.0	5	Natural	Ti-G5
91T.080.0100.5AD	M 8	10	13.0	8.0	-	6	Natural	Ti-G5
91T.080.0120.5AD	M 8	12	13.0	8.0	-	6	Natural	Ti-G5
91T.080.0150.5AD	M 8	15	13.0	8.0	-	6	Natural	Ti-G5
91T.080.0160.5AD	M 8	16	13.0	8.0	-	6	Natural	Ti-G5
91T.080.0200.5AD	M 8	20	13.0	8.0	-	6	Natural	Ti-G5
91T.080.0250.5AD	M 8	25	13.0	8.0	-	6	Natural	Ti-G5
91T.080.0300.5AD	M 8	30	13.0	8.0	28.0	6	Natural	Ti-G5
91T.080.0350.5AD	M 8	35	13.0	8.0	28.0	6	Natural	Ti-G5
91T.080.0400.5AD	M 8	40	13.0	8.0	28.0	6	Natural	Ti-G5
91T.080.0450.5AD	M 8	45	13.0	8.0	28.0	6	Natural	Ti-G5
91T.080.0500.5AD	M 8	50	13.0	8.0	28.0	6	Natural	Ti-G5
91T.080.0550.5AD	M 8	55	13.0	8.0	28.0	6	Natural	Ti-G5
91T.080.0600.5AD	M 8	60	13.0	8.0	28.0	6	Natural	Ti-G5
91T.080.0650.5AD	M 8	65	13.0	8.0	28.0	6	Natural	Ti-G5
91T.080.0700.5AD	M 8	70	13.0	8.0	28.0	6	Natural	Ti-G5
91T.080.0750.5AD	M 8	75	13.0	8.0	28.0	6	Natural	Ti-G5

TITANIUM