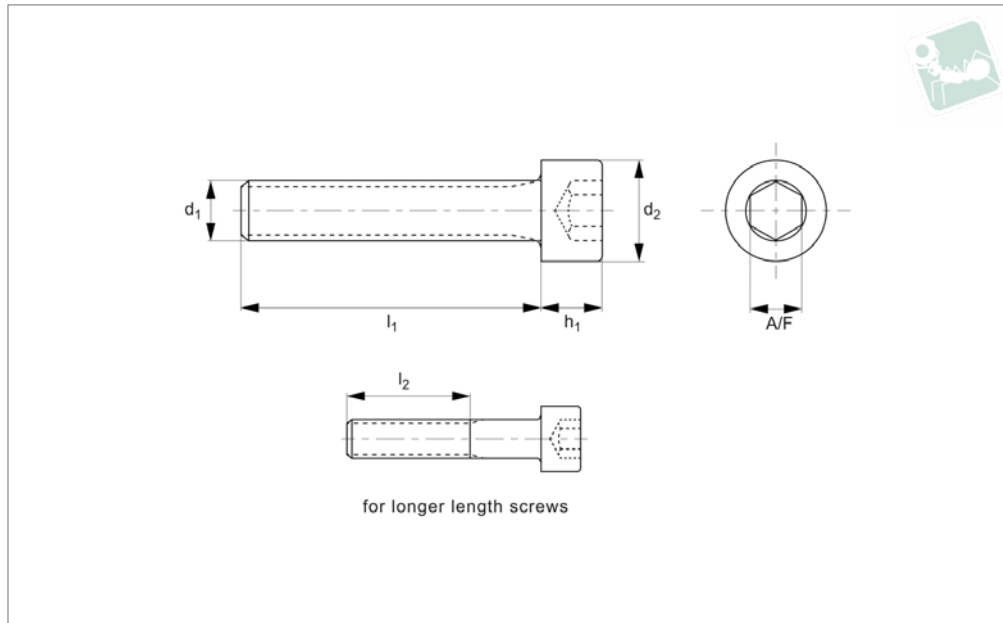




# Socket Cap Screw - M2 - M6

## DIN 912 Gr.2

Titanium



**T0010.91T.1**

TITANIUM

### Material

Titanium Grade 2 (commercial grade, high corrosion resistance, strong weldability, standard strength).

### Technical Notes

Items to DIN 912 where stated in data

table.

For the majority of screw lengths the threads goes all the way to the head of the screw (i.e.  $l_1 = l_2$ ) less 2.5 thread pitches.

For longer length screws the threaded portion  $l_2 < l_1$ .

Order No.	Finish	d <sub>1</sub>	l <sub>1</sub>	d <sub>2</sub>	h <sub>1</sub>	l <sub>2</sub>	A/F	Grade	Material	To standard
91T.020.0060.2AD	Natural	M 2	6	4.0	2.0	-	2	Comm	Ti-G2	DIN 912
91T.020.0080.2AD	Natural	M 2	8	4.0	2.0	-	2	Comm	Ti-G2	DIN 912
91T.020.0100.2AD	Natural	M 2	10	4.0	2.0	-	2	Comm	Ti-G2	DIN 912
91T.020.0120.2AD	Natural	M 2	12	4.0	2.0	-	2	Comm	Ti-G2	DIN 912
91T.020.0150.2AD	Natural	M 2	15	4.0	2.0	-	2	Comm	Ti-G2	DIN 912
91T.020.0160.2AD	Natural	M 2	16	4.0	2.0	-	2	Comm	Ti-G2	DIN 912
91T.020.0200.2AD	Natural	M 2	20	4.0	2.0	18.0	2	Comm	Ti-G2	DIN 912
91T.020.0250.2AD	Natural	M 2	25	4.0	2.0	18.0	2	Comm	Ti-G2	DIN 912
91T.020.0300.2AD	Natural	M 2	30	4.0	2.0	18.0	2	Comm	Ti-G2	DIN 912
91T.025.0060.2AD	Natural	M2,5	6	5.0	2.5	-	2	Comm	Ti-G2	DIN 912
91T.025.0080.2AD	Natural	M2,5	8	5.0	2.5	-	2	Comm	Ti-G2	DIN 912
91T.025.0100.2AD	Natural	M2,5	10	5.0	2.5	-	2	Comm	Ti-G2	DIN 912
91T.025.0120.2AD	Natural	M2,5	12	5.0	2.5	-	2	Comm	Ti-G2	DIN 912
91T.025.0150.2AD	Natural	M2,5	15	5.0	2.5	-	2	Comm	Ti-G2	DIN 912
91T.025.0160.2AD	Natural	M2,5	16	5.0	2.5	-	2	Comm	Ti-G2	DIN 912
91T.025.0200.2AD	Natural	M2,5	20	5.0	2.5	18.5	2	Comm	Ti-G2	DIN 912
91T.025.0250.2AD	Natural	M2,5	25	5.0	2.5	18.5	2	Comm	Ti-G2	DIN 912
91T.025.0300.2AD	Natural	M2,5	30	5.0	2.5	18.5	2	Comm	Ti-G2	DIN 912
91T.025.0350.2AD	Natural	M2,5	35	5.0	2.5	18.5	2	Comm	Ti-G2	DIN 912
91T.025.0400.2AD	Natural	M2,5	40	5.0	2.5	18.5	2	Comm	Ti-G2	DIN 912
91T.030.0060.2AD	Natural	M 3	6	5.5	3.0	-	2	Comm	Ti-G2	DIN 912
91T.030.0080.2AD	Natural	M 3	8	5.5	3.0	-	2	Comm	Ti-G2	DIN 912
91T.030.0100.2AD	Natural	M 3	10	5.5	3.0	-	2	Comm	Ti-G2	DIN 912
91T.030.0120.2AD	Natural	M 3	12	5.5	3.0	-	2	Comm	Ti-G2	DIN 912
91T.030.0150.2AD	Natural	M 3	15	5.5	3.0	-	2	Comm	Ti-G2	DIN 912
91T.030.0160.2AD	Natural	M 3	16	5.5	3.0	-	2	Comm	Ti-G2	DIN 912
91T.030.0200.2AD	Natural	M 3	20	5.5	3.0	19.0	2	Comm	Ti-G2	DIN 912
91T.030.0250.2AD	Natural	M 3	25	5.5	3.0	19.0	2	Comm	Ti-G2	DIN 912
91T.030.0300.2AD	Natural	M 3	30	5.5	3.0	19.0	2	Comm	Ti-G2	DIN 912
91T.030.0350.2AD	Natural	M 3	35	5.5	3.0	19.0	2	Comm	Ti-G2	DIN 912
91T.030.0400.2AD	Natural	M 3	40	5.5	3.0	19.0	2	Comm	Ti-G2	DIN 912
91T.030.0450.2AD	Natural	M 3	45	5.5	3.0	19.0	2	Comm	Ti-G2	DIN 912



Order No.	Finish	d <sub>1</sub>	l <sub>1</sub>	d <sub>2</sub>	h <sub>1</sub>	l <sub>2</sub>	A/F	Grade	Material	To standard
91T.030.0500.2AD	Natural	M 3	50	5.5	3.0	19.0	2	Comm	Ti-G2	DIN 912
91T.030.0550.2AD	Natural	M 3	55	5.5	3.0	19.0	2	Comm	Ti-G2	DIN 912
91T.030.0600.2AD	Natural	M 3	60	5.5	3.0	19.0	2	Comm	Ti-G2	DIN 912
91T.040.0060.2AD	Natural	M 4	6	7.0	4.0	-	3	Comm	Ti-G2	DIN 912
91T.040.0080.2AD	Natural	M 4	8	7.0	4.0	-	3	Comm	Ti-G2	DIN 912
91T.040.0100.2AD	Natural	M 4	10	7.0	4.0	-	3	Comm	Ti-G2	DIN 912
91T.040.0120.2AD	Natural	M 4	12	7.0	4.0	-	3	Comm	Ti-G2	DIN 912
91T.040.0150.2AD	Natural	M 4	15	7.0	4.0	-	3	Comm	Ti-G2	DIN 912
91T.040.0160.2AD	Natural	M 4	16	7.0	4.0	-	3	Comm	Ti-G2	DIN 912
91T.040.0200.2AD	Natural	M 4	20	7.0	4.0	20.0	3	Comm	Ti-G2	DIN 912
91T.040.0250.2AD	Natural	M 4	25	7.0	4.0	20.0	3	Comm	Ti-G2	DIN 912
91T.040.0300.2AD	Natural	M 4	30	7.0	4.0	20.0	3	Comm	Ti-G2	DIN 912
91T.040.0350.2AD	Natural	M 4	35	7.0	4.0	20.0	3	Comm	Ti-G2	DIN 912
91T.040.0400.2AD	Natural	M 4	40	7.0	4.0	20.0	3	Comm	Ti-G2	DIN 912
91T.040.0450.2AD	Natural	M 4	45	7.0	4.0	20.0	3	Comm	Ti-G2	DIN 912
91T.040.0500.2AD	Natural	M 4	50	7.0	4.0	20.0	3	Comm	Ti-G2	DIN 912
91T.040.0550.2AD	Natural	M 4	55	7.0	4.0	20.0	3	Comm	Ti-G2	DIN 912
91T.040.0600.2AD	Natural	M 4	60	7.0	4.0	20.0	3	Comm	Ti-G2	DIN 912
91T.040.0650.2AD	Natural	M 4	65	7.0	4.0	20.0	3	Comm	Ti-G2	DIN 912
91T.040.0700.2AD	Natural	M 4	70	7.0	4.0	20.0	3	Comm	Ti-G2	DIN 912
91T.040.0750.2AD	Natural	M 4	75	7.0	4.0	20.0	3	Comm	Ti-G2	DIN 912
91T.040.0800.2AD	Natural	M 4	80	7.0	4.0	20.0	3	Comm	Ti-G2	DIN 912
91T.050.0060.2AD	Natural	M 5	6	8.5	5.0	-	4	Comm	Ti-G2	DIN 912
91T.050.0080.2AD	Natural	M 5	8	8.5	5.0	-	4	Comm	Ti-G2	DIN 912
91T.050.0100.2AD	Natural	M 5	10	8.5	5.0	-	4	Comm	Ti-G2	DIN 912
91T.050.0120.2AD	Natural	M 5	12	8.5	5.0	-	4	Comm	Ti-G2	DIN 912
91T.050.0150.2AD	Natural	M 5	15	8.5	5.0	-	4	Comm	Ti-G2	DIN 912
91T.050.0160.2AD	Natural	M 5	16	8.5	5.0	-	4	Comm	Ti-G2	DIN 912
91T.050.0200.2AD	Natural	M 5	20	8.5	5.0	-	4	Comm	Ti-G2	DIN 912
91T.050.0250.2AD	Natural	M 5	25	8.5	5.0	22.0	4	Comm	Ti-G2	DIN 912
91T.050.0300.2AD	Natural	M 5	30	8.5	5.0	22.0	4	Comm	Ti-G2	DIN 912
91T.050.0350.2AD	Natural	M 5	35	8.5	5.0	22.0	4	Comm	Ti-G2	DIN 912
91T.050.0400.2AD	Natural	M 5	40	8.5	5.0	22.0	4	Comm	Ti-G2	DIN 912
91T.050.0450.2AD	Natural	M 5	45	8.5	5.0	22.0	4	Comm	Ti-G2	DIN 912
91T.050.0500.2AD	Natural	M 5	50	8.5	5.0	22.0	4	Comm	Ti-G2	DIN 912
91T.050.0550.2AD	Natural	M 5	55	8.5	5.0	22.0	4	Comm	Ti-G2	DIN 912
91T.050.0600.2AD	Natural	M 5	60	8.5	5.0	22.0	4	Comm	Ti-G2	DIN 912
91T.050.0650.2AD	Natural	M 5	65	8.5	5.0	22.0	4	Comm	Ti-G2	DIN 912
91T.050.0700.2AD	Natural	M 5	70	8.5	5.0	22.0	4	Comm	Ti-G2	DIN 912
91T.050.0750.2AD	Natural	M 5	75	8.5	5.0	22.0	4	Comm	Ti-G2	DIN 912
91T.050.0800.2AD	Natural	M 5	80	8.5	5.0	22.0	4	Comm	Ti-G2	DIN 912
91T.050.0850.2AD	Natural	M 5	85	8.5	5.0	22.0	4	Comm	Ti-G2	DIN 912
91T.050.0900.2AD	Natural	M 5	90	8.5	5.0	22.0	4	Comm	Ti-G2	DIN 912
91T.050.0950.2AD	Natural	M 5	95	8.5	5.0	22.0	4	Comm	Ti-G2	DIN 912
91T.050.1000.2AD	Natural	M 5	100	8.5	5.0	22.0	4	Comm	Ti-G2	DIN 912
91T.060.0060.2AD	Natural	M 6	6	10.0	6.0	-	5	Comm	Ti-G2	DIN 912
91T.060.0080.2AD	Natural	M 6	8	10.0	6.0	-	5	Comm	Ti-G2	DIN 912
91T.060.0100.2AD	Natural	M 6	10	10.0	6.0	-	5	Comm	Ti-G2	DIN 912
91T.060.0120.2AD	Natural	M 6	12	10.0	6.0	-	5	Comm	Ti-G2	DIN 912
91T.060.0150.2AD	Natural	M 6	15	10.0	6.0	-	5	Comm	Ti-G2	DIN 912
91T.060.0160.2AD	Natural	M 6	16	10.0	6.0	-	5	Comm	Ti-G2	DIN 912
91T.060.0200.2AD	Natural	M 6	20	10.0	6.0	-	5	Comm	Ti-G2	DIN 912
91T.060.0250.2AD	Natural	M 6	25	10.0	6.0	24.0	5	Comm	Ti-G2	DIN 912
91T.060.0300.2AD	Natural	M 6	30	10.0	6.0	24.0	5	Comm	Ti-G2	DIN 912
91T.060.0350.2AD	Natural	M 6	35	10.0	6.0	24.0	5	Comm	Ti-G2	DIN 912
91T.060.0400.2AD	Natural	M 6	40	10.0	6.0	24.0	5	Comm	Ti-G2	DIN 912
91T.060.0450.2AD	Natural	M 6	45	10.0	6.0	24.0	5	Comm	Ti-G2	DIN 912
91T.060.0500.2AD	Natural	M 6	50	10.0	6.0	24.0	5	Comm	Ti-G2	DIN 912
91T.060.0550.2AD	Natural	M 6	55	10.0	6.0	24.0	5	Comm	Ti-G2	DIN 912
91T.060.0600.2AD	Natural	M 6	60	10.0	6.0	24.0	5	Comm	Ti-G2	DIN 912
91T.060.0650.2AD	Natural	M 6	65	10.0	6.0	24.0	5	Comm	Ti-G2	DIN 912
91T.060.0700.2AD	Natural	M 6	70	10.0	6.0	24.0	5	Comm	Ti-G2	DIN 912
91T.060.0750.2AD	Natural	M 6	75	10.0	6.0	24.0	5	Comm	Ti-G2	DIN 912
91T.060.0800.2AD	Natural	M 6	80	10.0	6.0	24.0	5	Comm	Ti-G2	DIN 912
91T.060.0850.2AD	Natural	M 6	85	10.0	6.0	24.0	5	Comm	Ti-G2	DIN 912
91T.060.0900.2AD	Natural	M 6	90	10.0	6.0	24.0	5	Comm	Ti-G2	DIN 912
91T.060.0950.2AD	Natural	M 6	95	10.0	6.0	24.0	5	Comm	Ti-G2	DIN 912
91T.060.1000.2AD	Natural	M 6	100	10.0	6.0	24.0	5	Comm	Ti-G2	DIN 912
91T.060.1100.2AD	Natural	M 6	110	10.0	6.0	24.0	5	Comm	Ti-G2	DIN 912



# Socket Cap Screw - M2 - M6

DIN 912 Gr.2

Titanium

Order No.	Finish	d <sub>1</sub>	l <sub>1</sub>	d <sub>2</sub>	h <sub>1</sub>	l <sub>2</sub>	A/F	Grade	Material	To standard
91T.060.1200.2AD	Natural	M 6	120	10.0	6.0	24.0	5	Comm	Ti-G2	DIN 912
91T.060.1300.2AD	Natural	M 6	130	10.0	6.0	24.0	5	Comm	Ti-G2	DIN 912
91T.060.1400.2AD	Natural	M 6	140	10.0	6.0	24.0	5	Comm	Ti-G2	DIN 912
91T.060.1500.2AD	Natural	M 6	150	10.0	6.0	24.0	5	Comm	Ti-G2	DIN 912
91T.080.0100.2AD	Natural	M 8	10	13.0	8.0	-	6	Comm	Ti-G2	DIN 912
91T.080.0120.2AD	Natural	M 8	12	13.0	8.0	-	6	Comm	Ti-G2	DIN 912
91T.080.0150.2AD	Natural	M 8	15	13.0	8.0	-	6	Comm	Ti-G2	DIN 912
91T.080.0160.2AD	Natural	M 8	16	13.0	8.0	-	6	Comm	Ti-G2	DIN 912
91T.080.0200.2AD	Natural	M 8	20	13.0	8.0	-	6	Comm	Ti-G2	DIN 912
91T.080.0250.2AD	Natural	M 8	25	13.0	8.0	-	6	Comm	Ti-G2	DIN 912
91T.080.0300.2AD	Natural	M 8	30	13.0	8.0	28.0	6	Comm	Ti-G2	DIN 912
91T.080.0350.2AD	Natural	M 8	35	13.0	8.0	28.0	6	Comm	Ti-G2	DIN 912
91T.080.0400.2AD	Natural	M 8	40	13.0	8.0	28.0	6	Comm	Ti-G2	DIN 912
91T.080.0450.2AD	Natural	M 8	45	13.0	8.0	28.0	6	Comm	Ti-G2	DIN 912
91T.080.0500.2AD	Natural	M 8	50	13.0	8.0	28.0	6	Comm	Ti-G2	DIN 912
91T.080.0550.2AD	Natural	M 8	55	13.0	8.0	28.0	6	Comm	Ti-G2	DIN 912
91T.080.0600.2AD	Natural	M 8	60	13.0	8.0	28.0	6	Comm	Ti-G2	DIN 912
91T.080.0650.2AD	Natural	M 8	65	13.0	8.0	28.0	6	Comm	Ti-G2	DIN 912
91T.080.0700.2AD	Natural	M 8	70	13.0	8.0	28.0	6	Comm	Ti-G2	DIN 912
91T.080.0750.2AD	Natural	M 8	75	13.0	8.0	28.0	6	Comm	Ti-G2	DIN 912
91T.080.0800.2AD	Natural	M 8	80	13.0	8.0	28.0	6	Comm	Ti-G2	DIN 912

TITANIUM