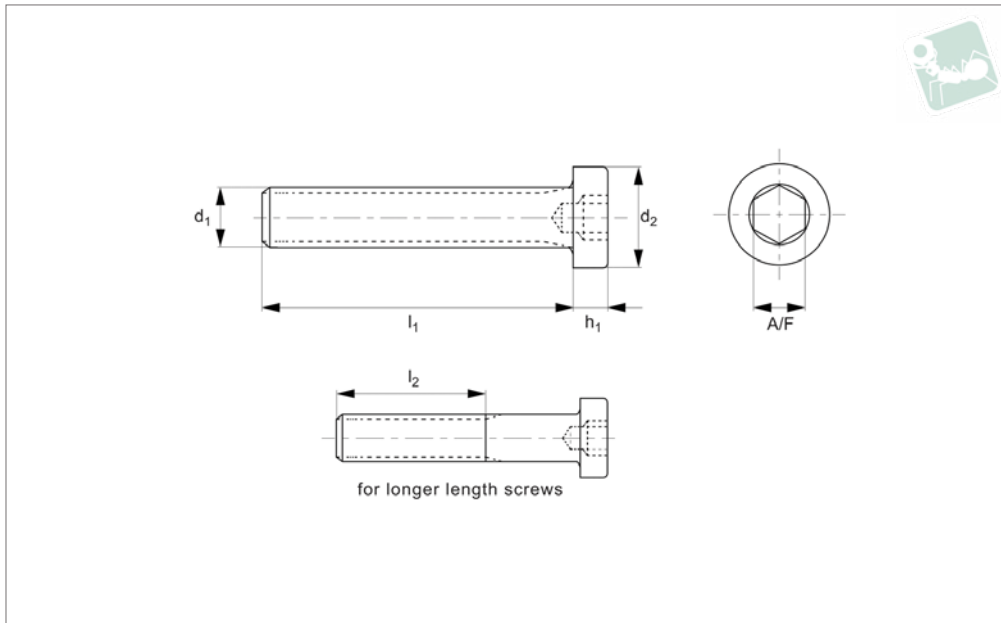




# Thin Cylindrical Head Cap Screws

DIN 6912, Titanium 5

Titanium



**T0004.T5**

TITANIUM

### Material

Titanium 5 (6AL-4V).

### Technical Notes

To DIN 6912

Order No.	d <sub>1</sub>	l <sub>1</sub>	d <sub>2</sub>	h <sub>1</sub>	l <sub>2</sub>	A/F
T0004.020-006-T5	M 2	6	3.8	1.8	-	1.5
T0004.020-008-T5	M 2	8	3.8	1.8	-	1.5
T0004.020-010-T5	M 2	10	3.8	1.8	-	1.5
T0004.020-015-T5	M 2	15	3.8	1.8	-	1.5
T0004.020-020-T5	M 2	20	3.8	1.8	-	1.5
T0004.020-025-T5	M 2	25	3.8	1.8	-	1.5
T0004.020-030-T5	M 2	30	3.8	1.8	-	1.5
T0004.020-035-T5	M 2	35	3.8	1.8	-	1.5
T0004.020-040-T5	M 2	40	3.8	1.8	-	1.5
T0004.025-006-T5	M2,5	6	3.8	1.8	-	1.5
T0004.025-008-T5	M2,5	8	3.8	1.8	-	1.5
T0004.025-010-T5	M2,5	10	3.8	1.8	-	1.5
T0004.025-015-T5	M2,5	15	3.8	1.8	-	1.5
T0004.025-020-T5	M2,5	20	3.8	1.8	-	1.5
T0004.025-025-T5	M2,5	25	3.8	1.8	-	1.5
T0004.025-030-T5	M2,5	30	3.8	1.8	-	1.5
T0004.025-035-T5	M2,5	35	3.8	1.8	-	1.5
T0004.025-040-T5	M2,5	40	3.8	1.8	-	1.5
T0004.030-010-T5	M 3	10	5.5	2.5	-	2.5
T0004.030-015-T5	M 3	15	5.5	2.5	12	2.5
T0004.030-020-T5	M 3	20	5.5	2.5	12	2.5
T0004.030-025-T5	M 3	25	5.5	2.5	12	2.5
T0004.030-030-T5	M 3	30	5.5	2.5	12	2.5
T0004.030-035-T5	M 3	35	5.5	2.5	12	2.5
T0004.030-040-T5	M 3	40	5.5	2.5	12	2.5
T0004.030-045-T5	M 3	45	5.5	2.5	12	2.5
T0004.030-050-T5	M 3	50	5.5	2.5	12	2.5
T0004.030-055-T5	M 3	55	5.5	2.5	12	2.5
T0004.030-060-T5	M 3	60	5.5	2.5	12	2.5
T0004.040-010-T5	M 4	10	7.0	2.8	-	3.0
T0004.040-015-T5	M 4	15	7.0	2.8	14	3.0
T0004.040-020-T5	M 4	20	7.0	2.8	14	3.0
T0004.040-025-T5	M 4	25	7.0	2.8	14	3.0
T0004.040-030-T5	M 4	30	7.0	2.8	14	3.0
T0004.040-035-T5	M 4	35	7.0	2.8	14	3.0



Order No.	d <sub>1</sub>	l <sub>1</sub>	d <sub>2</sub>	h <sub>1</sub>	l <sub>2</sub>	A/F
T0004.040-040-T5	M 4	40	7.0	2.8	14	3.0
T0004.040-045-T5	M 4	45	7.0	2.8	14	3.0
T0004.040-050-T5	M 4	50	7.0	2.8	14	3.0
T0004.040-055-T5	M 4	55	7.0	2.8	14	3.0
T0004.040-060-T5	M 4	60	7.0	2.8	14	3.0
T0004.050-010-T5	M 5	10	8.5	3.5	-	4.0
T0004.050-015-T5	M 5	15	8.5	3.5	-	4.0
T0004.050-020-T5	M 5	20	8.5	3.5	16	4.0
T0004.050-025-T5	M 5	25	8.5	3.5	16	4.0
T0004.050-030-T5	M 5	30	8.5	3.5	16	4.0
T0004.050-035-T5	M 5	35	8.5	3.5	16	4.0
T0004.050-040-T5	M 5	40	8.5	3.5	16	4.0
T0004.050-045-T5	M 5	45	8.5	3.5	16	4.0
T0004.050-050-T5	M 5	50	8.5	3.5	16	4.0
T0004.050-055-T5	M 5	55	8.5	3.5	16	4.0
T0004.050-060-T5	M 5	60	8.5	3.5	16	4.0
T0004.060-006-T5	M 6	6	10.0	4.0	-	5.0
T0004.060-008-T5	M 6	8	10.0	4.0	-	5.0
T0004.060-010-T5	M 6	10	10.0	4.0	-	5.0
T0004.060-015-T5	M 6	15	10.0	4.0	-	5.0
T0004.060-016-T5	M 6	16	10.0	4.0	-	5.0
T0004.060-020-T5	M 6	20	10.0	4.0	18	5.0
T0004.060-025-T5	M 6	25	10.0	4.0	18	5.0
T0004.060-030-T5	M 6	30	10.0	4.0	18	5.0
T0004.060-035-T5	M 6	35	10.0	4.0	18	5.0
T0004.060-040-T5	M 6	40	10.0	4.0	18	5.0
T0004.060-045-T5	M 6	45	10.0	4.0	18	5.0
T0004.060-050-T5	M 6	50	10.0	4.0	18	5.0
T0004.060-055-T5	M 6	55	10.0	4.0	18	5.0
T0004.060-060-T5	M 6	60	10.0	4.0	18	5.0
T0004.060-065-T5	M 6	65	10.0	4.0	18	5.0
T0004.060-070-T5	M 6	70	10.0	4.0	18	5.0
T0004.060-075-T5	M 6	75	10.0	4.0	18	5.0
T0004.060-080-T5	M 6	80	10.0	4.0	18	5.0
T0004.060-085-T5	M 6	85	10.0	4.0	18	5.0
T0004.060-090-T5	M 6	90	10.0	4.0	18	5.0
T0004.060-095-T5	M 6	95	10.0	4.0	18	5.0
T0004.060-100-T5	M 6	100	10.0	4.0	18	5.0
T0004.060-110-T5	M 6	110	10.0	4.0	18	5.0
T0004.060-120-T5	M 6	120	10.0	4.0	18	5.0
T0004.060-130-T5	M 6	130	10.0	4.0	18	5.0
T0004.060-140-T5	M 6	140	10.0	4.0	18	5.0
T0004.060-150-T5	M 6	150	10.0	4.0	18	5.0
T0004.080-010-T5	M 8	10	13.0	5.0	22	6.0
T0004.080-015-T5	M 8	15	13.0	5.0	22	6.0
T0004.080-016-T5	M 8	16	13.0	5.0	22	6.0
T0004.080-020-T5	M 8	20	13.0	5.0	22	6.0
T0004.080-025-T5	M 8	25	13.0	5.0	22	6.0
T0004.080-030-T5	M 8	30	13.0	5.0	22	6.0
T0004.080-035-T5	M 8	35	13.0	5.0	22	6.0
T0004.080-040-T5	M 8	40	13.0	5.0	22	6.0
T0004.080-045-T5	M 8	45	13.0	5.0	22	6.0
T0004.080-050-T5	M 8	50	13.0	5.0	22	6.0
T0004.080-055-T5	M 8	55	13.0	5.0	22	6.0
T0004.080-060-T5	M 8	60	13.0	5.0	22	6.0
T0004.080-065-T5	M 8	65	13.0	5.0	22	6.0
T0004.080-070-T5	M 8	70	13.0	5.0	22	6.0
T0004.080-075-T5	M 8	75	13.0	5.0	22	6.0
T0004.080-080-T5	M 8	80	13.0	5.0	22	6.0
T0004.080-085-T5	M 8	85	13.0	5.0	22	6.0
T0004.080-090-T5	M 8	90	13.0	5.0	22	6.0
T0004.080-095-T5	M 8	95	13.0	5.0	22	6.0
T0004.080-100-T5	M 8	100	13.0	5.0	22	6.0
T0004.080-110-T5	M 8	110	13.0	5.0	22	6.0
T0004.080-120-T5	M 8	120	13.0	5.0	22	6.0
T0004.080-130-T5	M 8	130	13.0	5.0	-	6.0
T0004.080-140-T5	M 8	140	13.0	5.0	-	6.0
T0004.080-150-T5	M 8	150	13.0	5.0	-	6.0
T0004.100-015-T5	M10	15	16.0	6.5	26	8.0



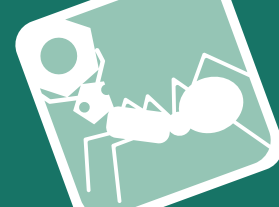
# Thin Cylindrical Head Cap Screws

DIN 6912, Titanium 5

Titanium

Order No.	d <sub>1</sub>	l <sub>1</sub>	d <sub>2</sub>	h <sub>1</sub>	l <sub>2</sub>	A/F
T0004.100-016-T5	M10	16	16.0	6.5	26	8.0
T0004.100-020-T5	M10	20	16.0	6.5	26	8.0
T0004.100-025-T5	M10	25	16.0	6.5	26	8.0
T0004.100-030-T5	M10	30	16.0	6.5	26	8.0
T0004.100-035-T5	M10	35	16.0	6.5	26	8.0
T0004.100-040-T5	M10	40	16.0	6.5	26	8.0
T0004.100-045-T5	M10	45	16.0	6.5	26	8.0
T0004.100-050-T5	M10	50	16.0	6.5	26	8.0
T0004.100-055-T5	M10	55	16.0	6.5	26	8.0
T0004.100-060-T5	M10	60	16.0	6.5	26	8.0
T0004.100-065-T5	M10	65	16.0	6.5	26	8.0
T0004.100-070-T5	M10	70	16.0	6.5	26	8.0
T0004.100-075-T5	M10	75	16.0	6.5	26	8.0
T0004.100-080-T5	M10	80	16.0	6.5	26	8.0
T0004.100-085-T5	M10	85	16.0	6.5	26	8.0
T0004.100-090-T5	M10	90	16.0	6.5	26	8.0
T0004.100-095-T5	M10	95	16.0	6.5	26	8.0
T0004.100-100-T5	M10	100	16.0	6.5	26	8.0
T0004.100-110-T5	M10	110	16.0	6.5	26	8.0
T0004.100-120-T5	M10	120	16.0	6.5	26	8.0
T0004.100-130-T5	M10	130	16.0	6.5	32	8.0
T0004.100-140-T5	M10	140	16.0	6.5	32	8.0
T0004.100-150-T5	M10	150	16.0	6.5	32	8.0
T0004.120-020-T5	M12	20	18.0	7.5	30	10.0
T0004.120-025-T5	M12	25	18.0	7.5	30	10.0
T0004.120-030-T5	M12	30	18.0	7.5	30	10.0
T0004.120-035-T5	M12	35	18.0	7.5	30	10.0
T0004.120-040-T5	M12	40	18.0	7.5	30	10.0
T0004.120-045-T5	M12	45	18.0	7.5	30	10.0
T0004.120-050-T5	M12	50	18.0	7.5	30	10.0
T0004.120-055-T5	M12	55	18.0	7.5	30	10.0
T0004.120-060-T5	M12	60	18.0	7.5	30	10.0
T0004.120-065-T5	M12	65	18.0	7.5	30	10.0
T0004.120-070-T5	M12	70	18.0	7.5	30	10.0
T0004.120-075-T5	M12	75	18.0	7.5	30	10.0
T0004.120-080-T5	M12	80	18.0	7.5	30	10.0
T0004.120-085-T5	M12	85	18.0	7.5	30	10.0
T0004.120-090-T5	M12	90	18.0	7.5	30	10.0
T0004.120-095-T5	M12	95	18.0	7.5	30	10.0
T0004.120-100-T5	M12	100	18.0	7.5	30	10.0
T0004.120-110-T5	M12	110	18.0	7.5	30	10.0
T0004.120-120-T5	M12	120	18.0	7.5	30	10.0
T0004.120-130-T5	M12	130	18.0	7.5	36	10.0
T0004.120-140-T5	M12	140	18.0	7.5	36	10.0
T0004.120-150-T5	M12	150	18.0	7.5	36	10.0
T0004.140-020-T5	M14	20	21.0	8.5	34	12.0
T0004.140-025-T5	M14	25	21.0	8.5	34	12.0
T0004.140-030-T5	M14	30	21.0	8.5	34	12.0
T0004.140-035-T5	M14	35	21.0	8.5	34	12.0
T0004.140-040-T5	M14	40	21.0	8.5	34	12.0
T0004.140-045-T5	M14	45	21.0	8.5	34	12.0
T0004.140-050-T5	M14	50	21.0	8.5	34	12.0
T0004.140-055-T5	M14	55	21.0	8.5	34	12.0
T0004.140-060-T5	M14	60	21.0	8.5	34	12.0
T0004.140-065-T5	M14	65	21.0	8.5	34	12.0
T0004.140-070-T5	M14	70	21.0	8.5	34	12.0
T0004.140-075-T5	M14	75	21.0	8.5	34	12.0
T0004.140-080-T5	M14	80	21.0	8.5	34	12.0
T0004.140-085-T5	M14	85	21.0	8.5	34	12.0
T0004.140-090-T5	M14	90	21.0	8.5	34	12.0
T0004.140-095-T5	M14	95	21.0	8.5	34	12.0
T0004.140-100-T5	M14	100	21.0	8.5	34	12.0
T0004.140-110-T5	M14	110	21.0	8.5	34	12.0
T0004.140-120-T5	M14	120	21.0	8.5	34	12.0
T0004.140-130-T5	M14	130	21.0	8.5	40	12.0
T0004.140-140-T5	M14	140	21.0	8.5	40	12.0
T0004.140-150-T5	M14	150	21.0	8.5	40	12.0
T0004.160-020-T5	M16	20	24.0	10.0	38	14.0
T0004.160-025-T5	M16	25	24.0	10.0	38	14.0

TITANIUM



Order No.	d <sub>1</sub>	l <sub>1</sub>	d <sub>2</sub>	h <sub>1</sub>	l <sub>2</sub>	A/F
T0004.160-030-T5	M16	30	24.0	10.0	38	14.0
T0004.160-035-T5	M16	35	24.0	10.0	38	14.0
T0004.160-040-T5	M16	40	24.0	10.0	38	14.0
T0004.160-045-T5	M16	45	24.0	10.0	38	14.0
T0004.160-050-T5	M16	50	24.0	10.0	38	14.0
T0004.160-055-T5	M16	55	24.0	10.0	38	14.0
T0004.160-060-T5	M16	60	24.0	10.0	38	14.0
T0004.160-065-T5	M16	65	24.0	10.0	38	14.0
T0004.160-070-T5	M16	70	24.0	10.0	38	14.0
T0004.160-075-T5	M16	75	24.0	10.0	38	14.0
T0004.160-080-T5	M16	80	24.0	10.0	38	14.0
T0004.160-085-T5	M16	85	24.0	10.0	38	14.0
T0004.160-090-T5	M16	90	24.0	10.0	38	14.0
T0004.160-095-T5	M16	95	24.0	10.0	38	14.0
T0004.160-100-T5	M16	100	24.0	10.0	38	14.0
T0004.160-110-T5	M16	110	24.0	10.0	38	14.0
T0004.160-120-T5	M16	120	24.0	10.0	38	14.0
T0004.160-130-T5	M16	130	24.0	10.0	44	14.0
T0004.160-140-T5	M16	140	24.0	10.0	44	14.0
T0004.160-160-T5	M16	160	24.0	10.0	44	14.0
T0004.200-020-T5	M20	20	30.0	12.0	46	17.0
T0004.200-025-T5	M20	25	30.0	12.0	46	17.0
T0004.200-030-T5	M20	30	30.0	12.0	46	17.0
T0004.200-035-T5	M20	35	30.0	12.0	46	17.0
T0004.200-040-T5	M20	40	30.0	12.0	46	17.0
T0004.200-045-T5	M20	45	30.0	12.0	46	17.0
T0004.200-050-T5	M20	50	30.0	12.0	46	17.0
T0004.200-055-T5	M20	55	30.0	12.0	46	17.0
T0004.200-060-T5	M20	60	30.0	12.0	46	17.0
T0004.200-065-T5	M20	65	30.0	12.0	46	17.0
T0004.200-070-T5	M20	70	30.0	12.0	46	17.0
T0004.200-075-T5	M20	75	30.0	12.0	46	17.0
T0004.200-080-T5	M20	80	30.0	12.0	46	17.0
T0004.200-085-T5	M20	85	30.0	12.0	46	17.0
T0004.200-090-T5	M20	90	30.0	12.0	46	17.0
T0004.200-095-T5	M20	95	30.0	12.0	46	17.0
T0004.200-100-T5	M20	100	30.0	12.0	46	17.0
T0004.200-110-T5	M20	110	30.0	12.0	46	17.0
T0004.200-120-T5	M20	120	30.0	12.0	46	17.0
T0004.200-130-T5	M20	130	30.0	12.0	52	17.0
T0004.200-140-T5	M20	140	30.0	12.0	52	17.0
T0004.200-200-T5	M20	200	30.0	12.0	52	17.0