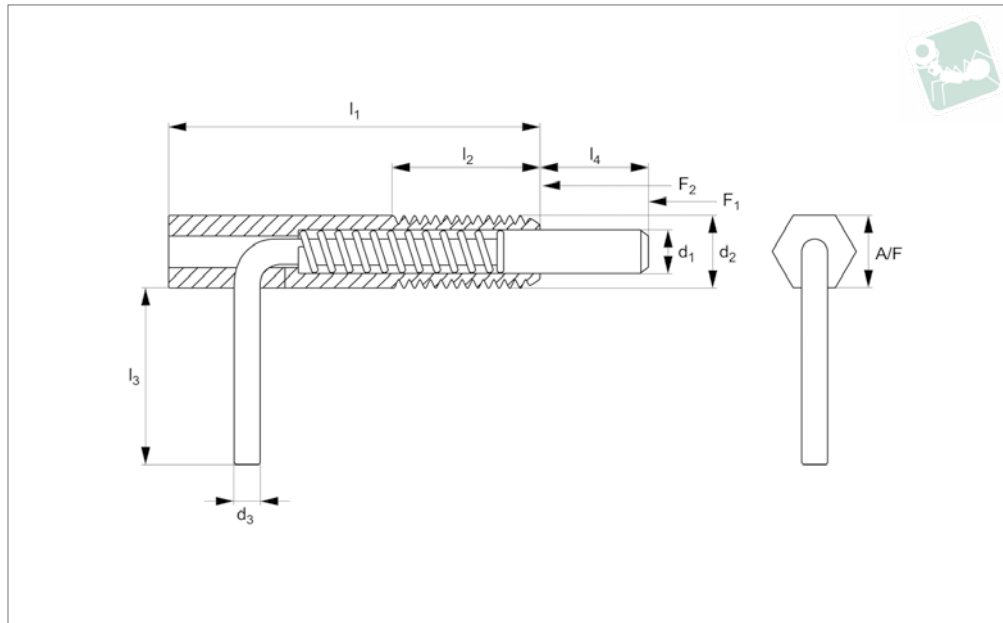




Spring Loaded Pin - Inch - Lever

locking - blackened

Spring Loaded Pins



SL1119

SPRING LOADED PINS

Material

Body and pin: steel 12L14, black oxide finish.

enable pin to be held in retracted/ non-projecting position. Pull back lever, turn 90° to engage 'locking'.

Technical Notes

Spring loaded pin can be „locked“ to

Tips

For suitable locknut, see part no. SL1816.

Order No.	d_1 +0.000 -0.001	d_2 UNC	l_1	l_2	l_3	l_4	d_3	A/F	Spring force f_1 lb	Spring force f_2 lb
SL1119.I25-038-C	0.155	1/4-20	1.25	0.50	0.50	0.38	0.101	1/4	0.50	2.50
SL1119.I37-056-C	0.234	3/8-16	2.00	1.00	0.74	0.56	0.134	3/8	0.75	3.75
SL1119.I50-031-C	0.313	1/2-13	2.11	1.11	1.00	0.75	0.188	1/2	1.00	5.00