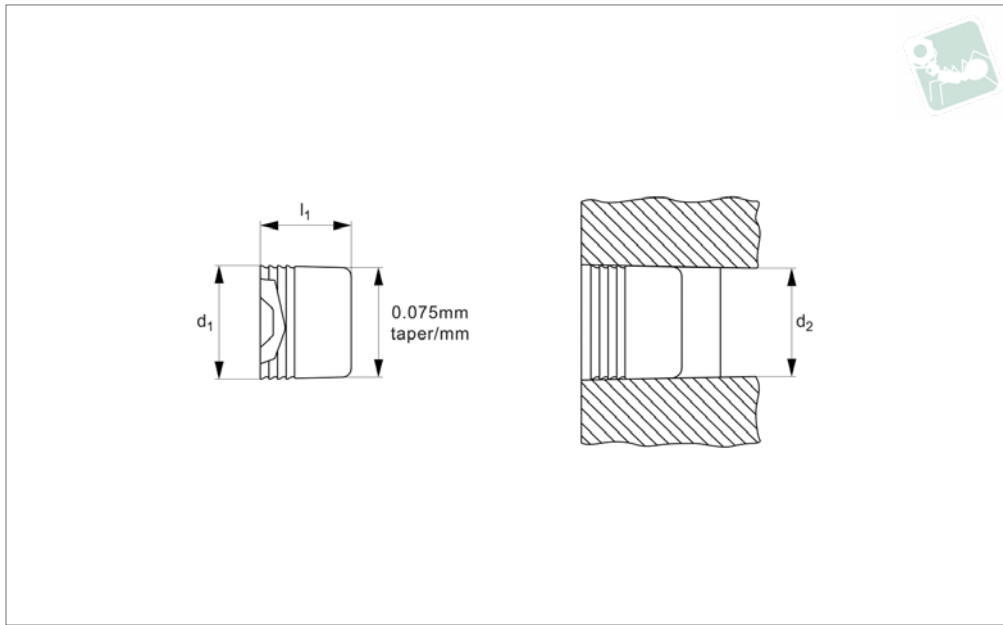
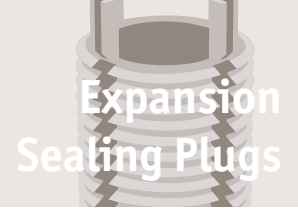




Blocker Sealing Plugs Aluminium



SE0526

EXPANSION SEALING PLUGS

Material

Aluminium (6061).

a 0.075mm/mm taper over their length.

Burst pressure 35 bar (500 psi).

Technical Notes

These are high pressure sealing plugs with

Order No.	d_1	d_2 max.	l_1	Size
SE0526.070-A	7.01	6.50	5.5	7
SE0526.090-A	9.01	8.38	5.5	9