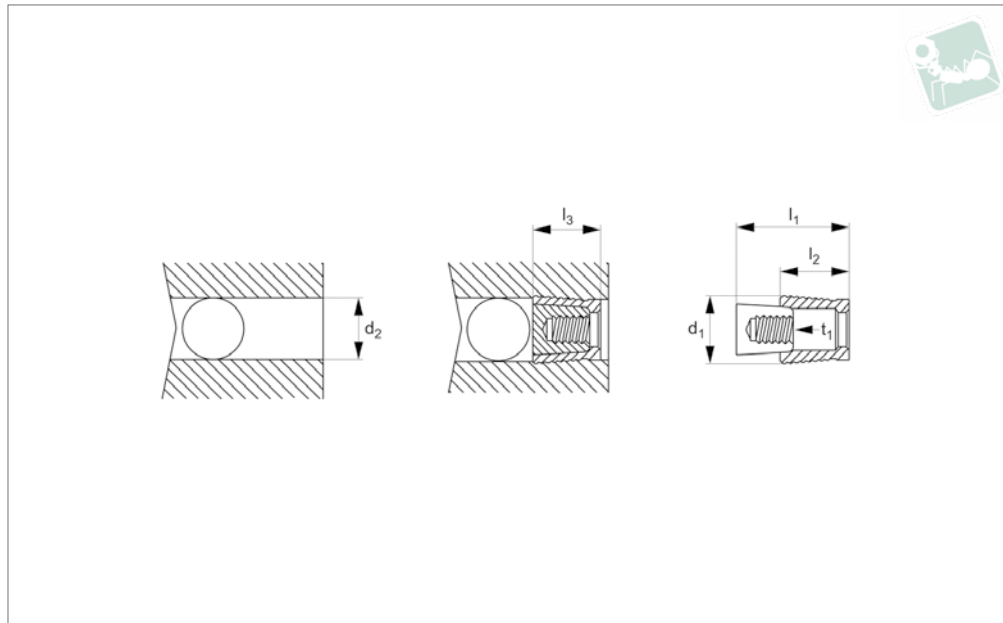
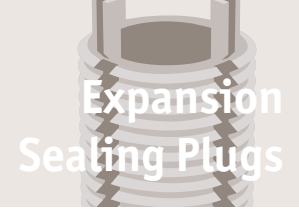




# Pull Sealing Plugs



**SE0522**

EXPANSION SEALING PLUGS

**Material**

Sleeve: case-hardened steel, black oxide finish.

Pin: heat-treatable steel, black oxide finish.

to blank off externally drilled holes for air and gas.

No need for tapping, reaming, machining of O-ring grooves or the use of tapes or sealants.

**product installation details.**

**Technical Notes**

These high pressure sealing plugs are used

**Important Notes**

**Please refer to technical pages for**

Order No.	d <sub>1</sub>	d <sub>2</sub> +0.1 -0.0	l <sub>1</sub>	l <sub>2</sub>	l <sub>3</sub>	t <sub>1</sub>
SE0522.070-C	7.0	7.0	13.0	7.5	8.0	4-40 UNC
SE0522.080-C	8.0	8.0	14.0	8.5	9.0	6-32 UNC
SE0522.090-C	9.0	9.0	16.0	9.5	10.0	8-32 UNC
SE0522.100-C	10.0	10.0	18.0	10.5	11.0	10-32 UNC
SE0522.120-C	12.0	12.0	21.0	12.5	13.0	10-32 UNC
SE0522.140-C	14.0	14.0	25.0	14.5	15.0	1/4-20 UNC
SE0522.160-C	16.0	16.0	28.0	16.5	17.0	1/4-20 UNC
SE0522.180-C	18.0	18.0	31.5	18.5	19.0	5/16-18 UNC
SE0522.200-C	20.0	20.0	35.0	20.5	21.0	3/8-16 UNC
SE0522.220-C	22.0	22.0	38.5	22.5	23.0	3/8-16 UNC