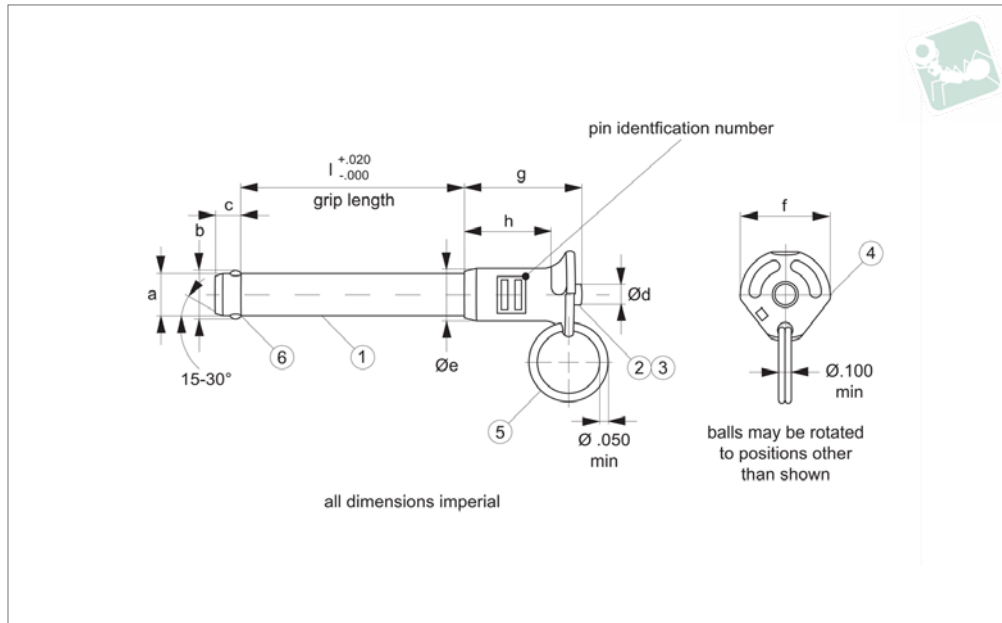




Aviation Pip-Pin - Standard B Handle

single acting - quick release pins

Quick Release Pins



QR5584

QUICK RELEASE PINS

Material

Shank (part 1) & Spindle (part 2):

CRES 17-4PH (AMS 5643), heat treated per MIL-H-6875, condition H900, min. 40 HRC, passivated per AMS2700

Spring (part 3, not shown):

CRES 302 (ASTM-A-313), heat treated per MIL-H-6875, passivated per AMS2700

Handle (part 4):

A380 (QQ-A-591), anodized (black) per MIL-A-8625

Attaching ring (part 5):

CRES 302 (ASTM-A-313), passivated per AMS2700

Ball (locking element, part 6):

CRES CL440C (AMS5630), heat treated per MIL-H-6875, passivated per AMS2700

Technical Notes

Wixroyd Aviation Pip-Pins manufactured to Aviation Norm NASM 17984 (former norm: MS 17984) and tested to NAS 1332.

Manufacture certified & assessed to EN9100D by EASE (European Aerospace Supplier Evaluation).

Temp. range -22°F to 302°F

Pressing = unlocking.

Releasing = locking.

Pip-Pins are used for frequently repeated operations such as quick fastening, locking, adjusting, changing and securing. All dimensions shown are imperial.

Tips

We can manufacture specials (both metric & imperial) to your drawing, and are certified to produce to NASM standards.

Wixroyd Aviation Pip-Pins can be produced within the following dimensions:

+ diameter: from 3/16" to 1"

+ grip length: from 0.3" to 9.9"

Quick production time on small batches.

Order No.	Dia. Ø nom.	Grip l	b	c	Ø d max.	Ø e max.	Weight g
QR5584.A005	3/16	0.5	0.220	0.26	0.31	0.44	17
QR5584.A007	3/16	0.7	0.220	0.26	0.31	0.44	17
QR5584.A008	3/16	0.8	0.220	0.26	0.31	0.44	18
QR5584.A011	3/16	1.1	0.220	0.26	0.31	0.44	19
QR5584.A015	3/16	1.5	0.220	0.26	0.31	0.44	20
QR5584.A018	3/16	1.8	0.220	0.26	0.31	0.44	21
QR5584.A020	3/16	2.0	0.220	0.26	0.31	0.44	22
QR5584.B010	1/4	1.0	0.289	0.29	0.31	0.44	22
QR5584.B019	1/4	1.9	0.289	0.29	0.31	0.44	27
QR5584.B020	1/4	2.0	0.289	0.29	0.31	0.44	27
QR5584.B025	1/4	2.5	0.289	0.29	0.31	0.44	32
QR5584.B064	1/4	6.4	0.289	0.29	0.31	0.44	59
QR5584.C010	5/16	1.0	0.375	0.33	0.31	0.49	28
QR5584.C012	5/16	1.2	0.375	0.33	0.31	0.49	29
QR5584.C017	5/16	1.7	0.375	0.33	0.31	0.49	34
QR5584.C020	5/16	2.0	0.375	0.33	0.31	0.49	36
QR5584.C022	5/16	2.2	0.375	0.33	0.31	0.49	38
QR5584.C025	5/16	2.5	0.375	0.33	0.31	0.49	43
QR5584.C029	5/16	2.9	0.375	0.33	0.31	0.49	46
QR5584.C030	5/16	3.0	0.375	0.33	0.31	0.49	47
QR5584.C036	5/16	3.6	0.375	0.33	0.31	0.49	53



Order No.	Dia. Ø nom.	Grip l	b	c	Ø d max.	Ø e max.	Weight g
QR5584.C049	5/16	4.9	0.375	0.33	0.31	0.49	65
QR5584.C062	5/16	6.2	0.375	0.33	0.31	0.49	73
QR5584.C067	5/16	6.7	0.375	0.33	0.31	0.49	85

QUICK RELEASE PINS

Order No.	Ø f max.	g max.	h min.	Shearing resistance, double lb min.	Location hole dia. max.	MS Part No.
QR5584.A005	0.800	0.83	0.48	5.150	0.1940	MS17984C305
QR5584.A007	0.800	0.83	0.48	5.150	0.1940	MS17984C307
QR5584.A008	0.800	0.83	0.48	5.150	0.1940	MS17984C308
QR5584.A011	0.800	0.83	0.48	5.150	0.1940	MS17984C311
QR5584.A015	0.800	0.83	0.48	5.150	0.1940	MS17984C315
QR5584.A018	0.800	0.83	0.48	5.150	0.1940	MS17984C318
QR5584.A020	0.800	0.83	0.48	5.150	0.1940	MS17984C320
QR5584.B010	0.800	0.89	0.48	9.200	0.2540	MS17984C410
QR5584.B019	0.800	0.89	0.48	9.200	0.2540	MS17984C419
QR5584.B020	0.800	0.89	0.48	9.200	0.2540	MS17984C410
QR5584.B025	0.800	0.89	0.48	9.200	0.2540	MS17984C425
QR5584.B064	0.800	0.89	0.48	9.200	0.2540	MS17984C464
QR5584.C010	1.135	0.93	0.48	14.400	0.3165	MS17984C510
QR5584.C012	1.135	0.93	0.48	14.400	0.3165	MS17984C512
QR5584.C017	1.135	0.93	0.48	14.400	0.3165	MS17984C517
QR5584.C020	1.135	0.93	0.48	14.400	0.3165	MS17984C520
QR5584.C022	1.135	0.93	0.48	14.400	0.3165	MS17984C522
QR5584.C025	1.135	0.93	0.48	14.400	0.3165	MS17984C525
QR5584.C029	1.135	0.93	0.48	14.400	0.3165	MS17984C529
QR5584.C030	1.135	0.93	0.48	14.400	0.3165	MS17984C530
QR5584.C036	1.135	0.93	0.48	14.400	0.3165	MS17984C536
QR5584.C049	1.135	0.93	0.48	14.400	0.3165	MS17984C549
QR5584.C062	1.135	0.93	0.48	14.400	0.3165	MS17984C562
QR5584.C067	1.135	0.93	0.48	14.400	0.3165	MS17984C567



Wixroyd Flight Pin Range - Certified to Aviation Standards

With many years experience producing an extensive range of standard Pip-pins (also know as quick release pins or ball lock pins) we are now able to offer of Aviation Standard approved Pip-pins, manufactured according to NASM norms (formerly MS norms) and tested to NAS 1332 standards.



33600 - Single acting Pip-pin, standard B handle

33610 - Single acting Pip-pin, standard TA handle

33620 - Single acting Pip-pin, standard LA handle

33630 - Single acting Pip-pin, standard R handle

Expanding Range

- Interior panel attachment
- Baby bassinet pin
- Curtain track attachment

- Curtain track support pins
- TV monitor attachment
- Folding table assembly (e.g. First Class Cabins)

Wide Range of Aviation Applications

The Wixroyd Aviation Pip-pin range is produced according to NASM norms, and tested to NAS standards. Our manufacturing processes have been assessed and certified by EASE (European Aerospace Supplier Evaluation) to EN9100D.

All our Aviation Pip-pins are individually marked to enable identification of their production lot number.

Aviation Approved

Yes! The product sizes shown on the following pages, with a cross reference to the NASM part code for ease of identification, are all available from stock for delivery within 5 days.

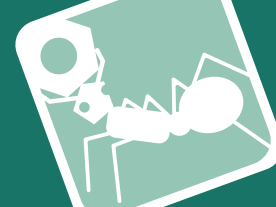
In-Stock and Available?

We have extensive knowledge and experience in designing, producing and assembling bespoke design pip-pins and ball lock pins in both imperial and metric sizes. We produce under a fully certified manufacturing process, both to our own high standard or to meet Aviation standards.

Please contact our technical team to discuss your requirements (tel. 0845 26 66 577) or email a drawing to info@wixroyd.com

Special Designs

For our full range visit:
wixroyd.com



Wixroyd Flight Pin Range - Certified to Aviation Standards

Your normal experience may be that imperial Aviation Standard Pip-pins are hard to obtain; price prohibitive, and delivery times far too long. The range of Wixroyd Aviation Pip-pins, in a variety of imperial dimensions, has been designed to solve these problems - we hold a wide, and ever increasing range of sizes ex-stock for immediate delivery - no more 6-8 week lead time!

With many years experience producing an extensive range of standard Pip-pins (also know as quick release pins or ball lock pins) we are now able to offer of Aviation Standard approved Pip-pins, manufactured according to NASM norms (formerly MS norms) and tested to NAS 1332 standards.

Wide Range of Aviation Applications

- Interior panel attachment
- Baby bassinet pin
- Curtain track attachment
- Curtain track support pins
- TV monitor attachment
- Folding table assembly (e.g. First Class Cabins)

In-stock and Available?

Yes! The product sizes shown on the following pages, with a cross reference to the NASM part code for ease of identification, are all available from stock for delivery within 5 days.

Materials

Our Aviation Pip-pins are manufactured to NASM norms, and we follow the material specification of these norms, which means you can feel safe in purchasing a part which is to specification - both in materials and strength.

Aviation Approved



The new Wixroyd Aviation Pip-pin range is produced according to NASM norms, and tested to NAS standards. Our manufacturing processes have been assessed and certified by EASE (European Aerospace Supplier Evaluation) to EN9100D.

Identifying Production Batches

All our Aviation Pip-pins are individually marked to enable identification of their production lot number. Marking allows identification of:

- NASM Standard Number
- Material Grade
- Pin/shank diameter
- Grip length
- Company identification
- Production lot number.

Special Designs

We have extensive knowledge and experience in designing, producing and assembling bespoke design pip-pins and ball lock pins in both imperial and metric sizes. We produce under a fully certified manufacturing process, both to our own high standard or to meet Aviation standards.

We can customise to meet your needs:

- Changes in grip/handle type
- Material variations
- Changes of functional dimensions; pin diameter, pin grip length

Please contact our technical team to discuss your requirements (tel. 0845 26 66 577) or email a drawing to info@wixroyd.com

Expanding Range



Single acting Pip-pin, standard B handle



Single acting Pip-pin, standard TA handle



Single acting Pip-pin, standard LA handle



Single acting Pip-pin, standard R handle