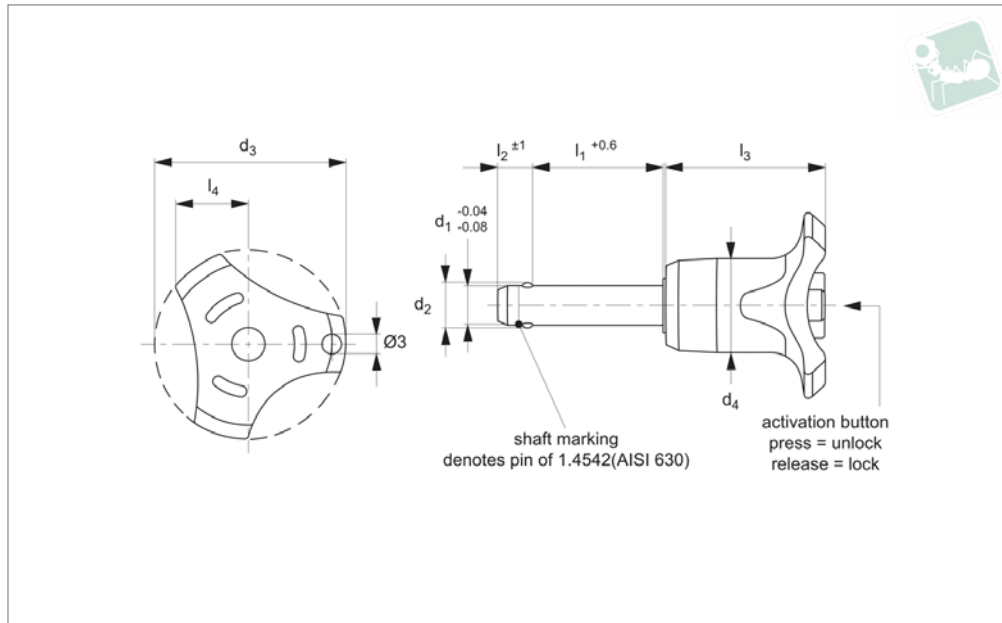




Ball Lock Pins - Single Acting - Black

self-locking - stainless steel 1.4542 (AISI 630)

Quick Release Pins



QR1706

QUICK RELEASE PINS

Material

Pin: stainless steel 1,4542 (AISI 630), precipitation hardened, blast finish. (marked at end of shaft to denote 1.4542 material).
 Ball: stainless steel 1.3541
 Spring: stainless steel.
 Handle: thermoplastic PA 6.
 Available colours: grey/orange, grey/blue, grey/grey, black/black.

Technical Notes

Pressing = unlocking.
 Releasing = locking.
 Temperature resistance -30°C to +80°C.
 For quick fastening and locking of frequently repeated connections.

Tips

For lanyards & retaining cables see part no.LA1066. Easy install locating bushes

available see part no.LA1310.

Important Notes

Extreme load capacity due to high material grade.
 *Shearing resistance similar to DIN 50141. Also available in stainless grade 1.4305 (AISI 303), see part no.33080.

Order No.	d ₁	l ₁	d ₂	d ₃	d ₄	l ₂	l ₃	l ₄	Loc'n hole tol. H11	Shearing resistance, double kN min.	Weight g
QR1706.M05-010-T	5	10	5.5	33.2	14.5	6.0	26.7	10.8	5	24	15
QR1706.M05-015-T	5	15	5.5	33.2	14.5	6.0	26.7	10.8	5	24	15
QR1706.M05-020-T	5	20	5.5	33.2	14.5	6.0	26.7	10.8	5	24	16
QR1706.M05-025-T	5	25	5.5	33.2	14.5	6.0	26.7	10.8	5	24	17
QR1706.M05-030-T	5	30	5.5	33.2	14.5	6.0	26.7	10.8	5	24	18
QR1706.M06-010-T	6	10	7.0	33.2	14.5	7.0	26.7	10.8	6	35	16
QR1706.M06-015-T	6	15	7.0	33.2	14.5	7.0	26.7	10.8	6	35	17
QR1706.M06-020-T	6	20	7.0	33.2	14.5	7.0	26.7	10.8	6	35	18
QR1706.M06-025-T	6	25	7.0	33.2	14.5	7.0	26.7	10.8	6	35	19
QR1706.M06-030-T	6	30	7.0	33.2	14.5	7.0	26.7	10.8	6	35	20
QR1706.M06-035-T	6	35	7.0	33.2	14.5	7.0	26.7	10.8	6	35	21
QR1706.M06-040-T	6	40	7.0	33.2	14.5	7.0	26.7	10.8	6	35	22
QR1706.M06-045-T	6	45	7.0	33.2	14.5	7.0	26.7	10.8	6	35	23
QR1706.M06-050-T	6	50	7.0	33.2	14.5	7.0	26.7	10.8	6	35	24
QR1706.M08-020-T	8	20	9.6	39.2	19.3	8.2	33.3	13.4	8	63	40
QR1706.M08-030-T	8	30	9.6	39.2	19.3	8.2	33.3	13.4	8	63	44
QR1706.M08-040-T	8	40	9.6	39.2	19.3	8.2	33.3	13.4	8	63	47
QR1706.M10-020-T	10	20	12.0	39.2	19.3	9.6	33.3	13.4	10	100	47
QR1706.M10-025-T	10	25	12.0	39.2	19.3	9.6	33.3	13.4	10	100	49
QR1706.M10-030-T	10	30	12.0	39.2	19.3	9.6	33.3	13.4	10	100	53
QR1706.M10-035-T	10	35	12.0	39.2	19.3	9.6	33.3	13.4	10	100	55
QR1706.M10-040-T	10	40	12.0	39.2	19.3	9.6	33.3	13.4	10	100	58
QR1706.M10-045-T	10	45	12.0	39.2	19.3	9.6	33.3	13.4	10	100	61
QR1706.M10-060-T	10	60	12.0	39.2	19.3	9.6	33.3	13.4	10	100	70
QR1706.M12-030-T	12	30	14.5	47.6	26.3	10.6	39.7	16.7	12	144	100
QR1706.M12-035-T	12	35	14.5	47.6	26.3	10.6	39.7	16.7	12	144	105

Quick Release Pins

Ball Lock Pins - Single Acting - Black

self-locking - stainless steel 1.4542 (AISI 630)



QUICK RELEASE PINS

Order No.	d ₁	l ₁	d ₂	d ₃	d ₄	l ₂	l ₃	l ₄	Loc'n hole tol. H11	Shearing resistance, double kN min.	Weight g
QR1706.M12-045-T	12	45	14.5	47.6	26.3	10.6	39.7	16.7	12	144	113
QR1706.M12-050-T	12	50	14.5	47.6	26.3	10.6	39.7	16.7	12	144	117
QR1706.M12-060-T	12	60	14.5	47.6	26.3	10.6	39.7	16.7	12	144	126
QR1706.M12-070-T	12	70	14.5	47.6	26.3	10.6	39.7	16.7	12	144	134
QR1706.M12-080-T	12	80	14.5	47.6	26.3	10.6	39.7	16.7	12	144	143
QR1706.M16-030-T	16	30	19.0	47.6	26.3	14.0	39.7	16.7	16	257	132
QR1706.M16-035-T	16	35	19.0	47.6	26.3	14.0	39.7	16.7	16	257	140
QR1706.M16-040-T	16	40	19.0	47.6	26.3	14.0	39.7	16.7	16	257	148
QR1706.M16-045-T	16	45	19.0	47.6	26.3	14.0	39.7	16.7	16	257	155
QR1706.M16-060-T	16	60	19.0	47.6	26.3	14.0	39.7	16.7	16	257	178
QR1706.M16-070-T	16	70	19.0	47.6	26.3	14.0	39.7	16.7	16	257	194
QR1706.M16-080-T	16	80	19.0	47.6	26.3	14.0	39.7	16.7	16	257	208
QR1706.M20-060-T	20	60	25.0	57.1	35.4	20.5	50.7	21.5	20	403	343
QR1706.M20-080-T	20	80	25.0	57.1	35.4	20.5	50.7	21.5	20	403	392
QR1706.M20-100-T	20	100	25.0	57.1	35.4	20.5	50.7	21.5	20	403	440
QR1706.M20-120-T	20	120	25.0	57.1	33.8	20.5	50.7	21.5	20	403	488





Sound Rigging Systems

Ball lock pins on a sound rigging system. Offering secure fixing with high shear forces and easy fitting for operators at heights.

In addition full black powder coating of grip and actuation button eliminates glare from other stage lighting.

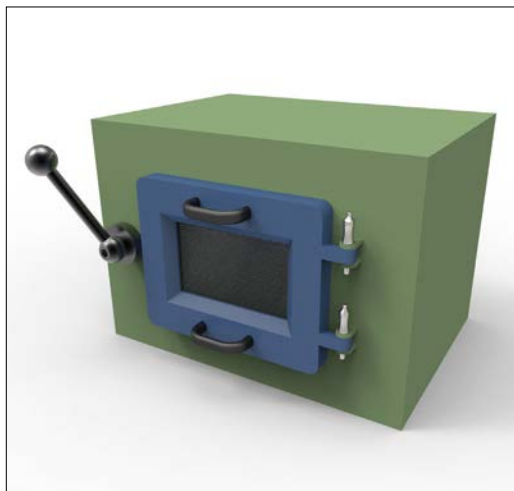


QUICK RELEASE PINS

Gym Equipment



Scientific and Medical



ov-W33060.BK-A-TOR1706-W33250-A-TLA1066-a-rmh - Updated - 27-10-2022



Pin Material

1.4305 (AISI 303) - shear force approx. 60% of higher material version 1.4542

1.4542 (AISI 630) - identified by the ridge on the pin

CRES 17-4PH (AMS 5643) aviation standard



Handle Style



Plastic tri-star



T-handled, metal



L-handled, metal



Mushroom, metal



Single piece metal, contoured



Special plastic self-spring



Adjustable grip length, plastic



Key ring



Safety, metal



Mushroom Type B aviation

Type R aviation

Lanyards and Locating Bushes



Stainless wire - (coated) - 2 x key ring



Stainless wire - Key ring and fixing loop



Plastic - 2 x cable tie



Steel wire - (coated) - 2 x key ring

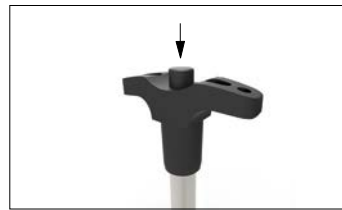


Stainless bead chain - 2 x key ring



Locating bushes

Actuation



Press = unlock
Release = lock (standard)



Press = unlock and position
Release = lock and simultaneous clamp



Simple spring loaded balls "pullout pin"

Important Note

Important Note: Ball lock pins are not suited to lifting applications!
For quick release lifting pins, see part 33400.



Shear force



Lifting force

Special Variations

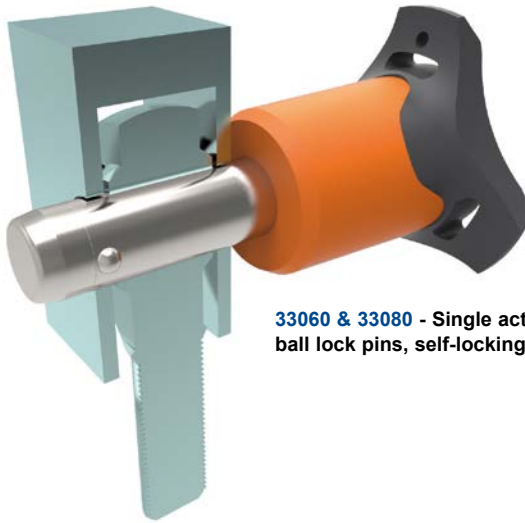


Variations on our standard designs are possible, please contact our sales team for technical assistance. Quick production on specials can be as little as 3 weeks.



Applications

- Positioning.
- Lifting.
- Locking.
- Indexing.
- Joining.



33060 & 33080 - Single acting ball lock pins, self-locking.



33194 - Single acting ball lock pins, self locking, simple finish.



33140 - Socket pins, non-locking, spring loaded balls.



33100 - Single acting ball lock pin, self locking.



33180 - Clamping pins, with span compensation, self-locking.



33250 & 33270 - Lanyards.



33220 - Ball lock pins, single acting - L-handle

QUICK RELEASE PINS

ov-W33060.BK-A-TOR1706-W33250-A-TLA1066-c-rmh - Updated - 27-10-2022