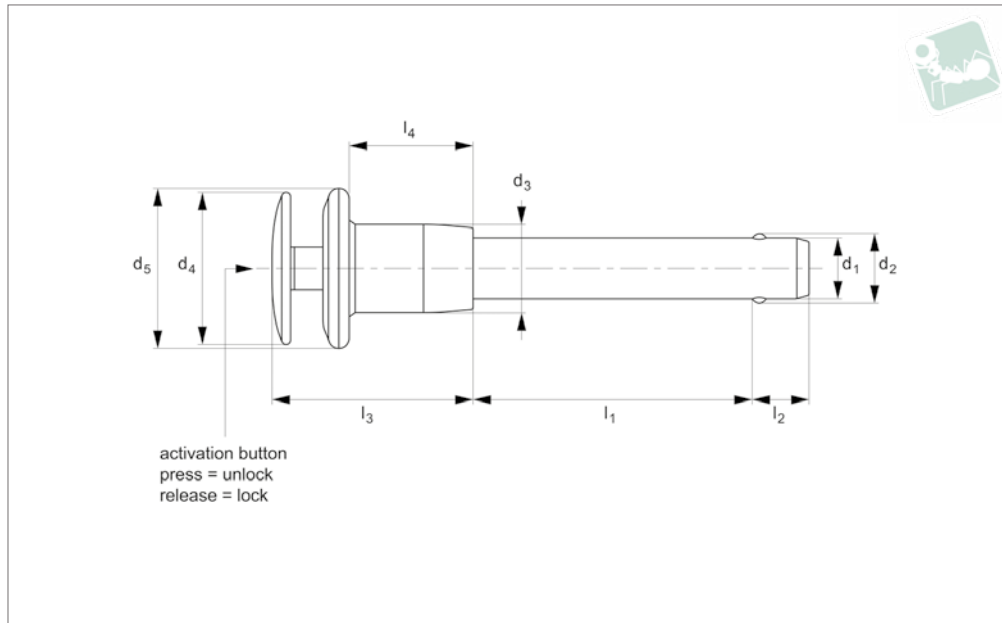




Quick Release Pins - Inch - Dome

precipitation hardened stainless pin - stainless

Quick Release Pins



QR1576

QUICK RELEASE PINS

Material

Pin: stainless steel 17-4PH (DIN 1.4542, AISI 630), precipitation hardened, passivated. Tensile strength 1,300 N/mm² min. HRC 40. RoHS compliant.
Handle: stainless steel, AISI 303 (DIN 1.4305), passivated.
Actuator button: stainless steel, AISI 303 (DIN 1.4305), passivated.
Internal spindle, balls; from stainless

steel.

Technical Notes

Pressing = unlocking.
Releasing = locking.
Temperature range -30°C to +150°C
Use of split ring on this model is not advised, as may interfere with operation of activation button. Locating hole for attachment of wire lanyard is present to

enable securing of quick release pin to assembly.

Tips

For quick fastening and locking frequently repeated connections.
For lanyards & retaining cables see part nos. L to LA1224. For easy install locating bushes and end caps see part nos. LA1260 to LA1355.

Order No.	d ₁ min.	d ₁ max.	d ₁ nom.	l ₁ grip +0.02 - 0.00	Material	d ₂ ±0.005	d ₃	d ₄	d ₅	l ₂ +0.000 -0.030	l ₃	l ₄	Loc'n hole min. max.	Pull out strength lb min.	Calc. double shear lb
QR1576.I18-050-T	,1870	,1885	3/16	0,50	17-4 PH	0,220	0,47	0,75	0,81	0,260	1,00	0,63	,1940/,1900	200	5150
QR1576.I18-075-T	,1870	,1885	3/16	0,75	17-4 PH	0,220	0,47	0,75	0,81	0,260	1,00	0,63	,1900/,1940	200	5150
QR1576.I18-100-T	,1870	,1885	3/16	1,00	17-4 PH	0,220	0,47	0,75	0,81	0,260	1,00	0,63	,1900/,1940	200	5150
QR1576.I18-125-T	,1870	,1885	3/16	1,25	17-4 PH	0,220	0,47	0,75	0,81	0,260	1,00	0,63	,1900/,1940	200	5150
QR1576.I18-150-T	,1870	,1885	3/16	1,50	17-4 PH	0,220	0,47	0,75	0,81	0,260	1,00	0,63	,1900/,1940	200	5150
QR1576.I18-175-T	,1870	,1885	3/16	1,75	17-4 PH	0,220	0,47	0,75	0,81	0,260	1,00	0,63	,1900/,1940	200	5150
QR1576.I18-200-T	,1870	,1885	3/16	2,00	17-4 PH	0,220	0,47	0,75	0,81	0,260	1,00	0,63	,1900/,1940	200	5150
QR1576.I18-250-T	,1870	,1885	3/16	2,50	17-4 PH	0,220	0,47	0,75	0,81	0,260	1,00	0,63	,1900/,1940	200	5150
QR1576.I18-300-T	,1870	,1885	3/16	3,00	17-4 PH	0,220	0,47	0,75	0,81	0,260	1,00	0,63	,1900/,1940	200	5150
QR1576.I18-350-T	,1870	,1885	3/16	3,50	17-4 PH	0,220	0,47	0,75	0,81	0,260	1,00	0,63	,1900/,1940	200	5150
QR1576.I18-400-T	,1870	,1885	3/16	4,00	17-4 PH	0,220	0,47	0,75	0,81	0,260	1,00	0,63	,1900/,1940	200	5150
QR1576.I25-050-T	,2470	,2485	1/4	0,50	17-4 PH	0,289	0,47	0,75	0,81	0,290	1,00	0,63	,2500/,2540	230	9200
QR1576.I25-075-T	,2470	,2485	1/4	0,75	17-4 PH	0,289	0,47	0,75	0,81	0,290	1,00	0,63	,2500/,2540	230	9200
QR1576.I25-100-T	,2470	,2485	1/4	1,00	17-4 PH	0,289	0,47	0,75	0,81	0,290	1,00	0,63	,2500/,2540	230	9200
QR1576.I25-125-T	,2470	,2485	1/4	1,25	17-4 PH	0,289	0,47	0,75	0,81	0,290	1,00	0,63	,2500/,2540	230	9200
QR1576.I25-150-T	,2470	,2485	1/4	1,50	17-4 PH	0,289	0,47	0,75	0,81	0,290	1,00	0,63	,2500/,2540	230	9200
QR1576.I25-175-T	,2470	,2485	1/4	1,75	17-4 PH	0,289	0,47	0,75	0,81	0,290	1,00	0,63	,2500/,2540	230	9200
QR1576.I25-200-T	,2470	,2485	1/4	2,00	17-4 PH	0,289	0,47	0,75	0,81	0,290	1,00	0,63	,2500/,2540	230	9200
QR1576.I25-250-T	,2470	,2485	1/4	2,50	17-4 PH	0,289	0,47	0,75	0,81	0,290	1,00	0,63	,2500/,2540	230	9200
QR1576.I25-300-T	,2470	,2485	1/4	3,00	17-4 PH	0,289	0,47	0,75	0,81	0,290	1,00	0,63	,2500/,2540	230	9200
QR1576.I25-350-T	,2470	,2485	1/4	3,50	17-4 PH	0,289	0,47	0,75	0,81	0,290	1,00	0,63	,2500/,2540	230	9200
QR1576.I25-400-T	,2470	,2485	1/4	4,00	17-4 PH	0,289	0,47	0,75	0,81	0,290	1,00	0,63	,2500/,2540	230	9200
QR1576.I31-050-T	,3095	,3110	5/16	0,50	17-4 PH	0,375	0,47	0,75	0,81	0,330	1,00	0,63	,3125/,3165	510	14400
QR1576.I31-075-T	,3095	,3110	5/16	0,75	17-4 PH	0,375	0,47	0,75	0,81	0,330	1,00	0,63	,3125/,3165	510	14400
QR1576.I31-100-T	,3095	,3110	5/16	1,00	17-4 PH	0,375	0,47	0,75	0,81	0,330	1,00	0,63	,3125/,3165	510	14400

Quick Release Pins

Quick Release Pins - Inch - Dome

precipitation hardened stainless pin - stainless



QUICK RELEASE PINS

Order No.	d ₁ min.	d ₁ max.	d ₁ nom.	l ₁ grip +0.02 - 0.00	Material	d ₂ ±0.005	d ₃	d ₄	d ₅	l ₂ +0.000 -0.030	l ₃	l ₄	Loc'n hole min. max.	Pull out strength lb min.	Calc. double shear lb
QR1576.I31-125-T	,3095	,3110	5/16	1,25	17-4 PH	0,375	0,47	0,75	0,81	0,330	1,00	0,63	,3125/,3165	510	14400
QR1576.I31-150-T	,3095	,3110	5/16	1,50	17-4 PH	0,375	0,47	0,75	0,81	0,330	1,00	0,63	,3125/,3165	510	14400
QR1576.I31-175-T	,3095	,3110	5/16	1,75	17-4 PH	0,375	0,47	0,75	0,81	0,330	1,00	0,63	,3125/,3165	510	14400
QR1576.I31-200-T	,3095	,3110	5/16	2,00	17-4 PH	0,375	0,47	0,75	0,81	0,330	1,00	0,63	,3125/,3165	510	14400
QR1576.I31-250-T	,3095	,3110	5/16	2,50	17-4 PH	0,375	0,47	0,75	0,81	0,330	1,00	0,63	,3125/,3165	510	14400
QR1576.I31-300-T	,3095	,3110	5/16	3,00	17-4 PH	0,375	0,47	0,75	0,81	0,330	1,00	0,63	,3125/,3165	510	14400
QR1576.I31-350-T	,3095	,3110	5/16	3,50	17-4 PH	0,375	0,47	0,75	0,81	0,330	1,00	0,63	,3125/,3165	510	14400
QR1576.I31-400-T	,3095	,3110	5/16	4,00	17-4 PH	0,375	0,47	0,75	0,81	0,330	1,00	0,63	,3125/,3165	510	14400
QR1576.I37-050-T	,3720	,3735	3/8	0,50	17-4 PH	0,440	0,56	0,93	1,00	0,365	1,12	0,70	,3750/,3790	575	20600
QR1576.I37-075-T	,3720	,3735	3/8	0,75	17-4 PH	0,440	0,56	0,93	1,00	0,365	1,12	0,70	,3750/,3790	575	20600
QR1576.I37-100-T	,3720	,3735	3/8	1,00	17-4 PH	0,440	0,56	0,93	1,00	0,365	1,12	0,70	,3750/,3790	575	20600
QR1576.I37-125-T	,3720	,3735	3/8	1,25	17-4 PH	0,440	0,56	0,93	1,00	0,365	1,12	0,70	,3750/,3790	575	20600
QR1576.I37-150-T	,3720	,3735	3/8	1,50	17-4 PH	0,440	0,56	0,93	1,00	0,365	1,12	0,70	,3750/,3790	575	20600
QR1576.I37-175-T	,3720	,3735	3/8	1,75	17-4 PH	0,440	0,56	0,93	1,00	0,365	1,12	0,70	,3750/,3790	575	20600
QR1576.I37-200-T	,3720	,3735	3/8	2,00	17-4 PH	0,440	0,56	0,93	1,00	0,365	1,12	0,70	,3750/,3790	575	20600
QR1576.I37-250-T	,3720	,3735	3/8	2,50	17-4 PH	0,440	0,56	0,93	1,00	0,365	1,12	0,70	,3750/,3790	575	20600
QR1576.I37-300-T	,3720	,3735	3/8	3,00	17-4 PH	0,440	0,56	0,93	1,00	0,365	1,12	0,70	,3750/,3790	575	20600
QR1576.I37-350-T	,3720	,3735	3/8	3,50	17-4 PH	0,440	0,56	0,93	1,00	0,365	1,12	0,70	,3750/,3790	575	20600
QR1576.I37-400-T	,3720	,3735	3/8	4,00	17-4 PH	0,440	0,56	0,93	1,00	0,365	1,12	0,70	,3750/,3790	575	20600
QR1576.I50-100-T	,4970	,4985	1/2	1,00	17-4 PH	0,594	0,72	1,30	1,37	0,460	1,41	0,85	,5000/,5050	1160	36800
QR1576.I50-125-T	,4970	,4985	1/2	1,25	17-4 PH	0,594	0,72	1,30	1,37	0,460	1,41	0,85	,5000/,5050	1160	36800
QR1576.I50-150-T	,4970	,4985	1/2	1,50	17-4 PH	0,594	0,72	1,30	1,37	0,460	1,41	0,85	,5000/,5050	1160	36800
QR1576.I50-175-T	,4970	,4985	1/2	1,75	17-4 PH	0,594	0,72	1,30	1,37	0,460	1,41	0,85	,5000/,5050	1160	36800
QR1576.I50-200-T	,4970	,4985	1/2	2,00	17-4 PH	0,594	0,72	1,30	1,37	0,460	1,41	0,85	,5000/,5050	1160	36800
QR1576.I50-250-T	,4970	,4985	1/2	2,50	17-4 PH	0,594	0,72	1,30	1,37	0,460	1,41	0,85	,5000/,5050	1160	36800
QR1576.I50-300-T	,4970	,4985	1/2	3,00	17-4 PH	0,594	0,72	1,30	1,37	0,460	1,41	0,85	,5000/,5050	1160	36800
QR1576.I50-350-T	,4970	,4985	1/2	3,50	17-4 PH	0,594	0,72	1,30	1,37	0,460	1,41	0,85	,5000/,5050	1160	36800
QR1576.I50-400-T	,4970	,4985	1/2	4,00	17-4 PH	0,594	0,72	1,30	1,37	0,460	1,41	0,85	,5000/,5050	1160	36800
QR1576.I50-450-T	,4970	,4985	1/2	4,50	17-4 PH	0,594	0,72	1,30	1,37	0,460	1,41	0,85	,5000/,5050	1160	36800
QR1576.I50-500-T	,4970	,4985	1/2	5,00	17-4 PH	0,594	0,72	1,30	1,37	0,460	1,41	0,85	,5000/,5050	1160	36800
QR1576.I50-550-T	,4970	,4985	1/2	5,50	17-4 PH	0,594	0,72	1,30	1,37	0,460	1,41	0,85	,5000/,5050	1160	36800
QR1576.I50-600-T	,4970	,4985	1/2	6,00	17-4 PH	0,594	0,72	1,30	1,37	0,460	1,41	0,85	,5000/,5050	1160	36800