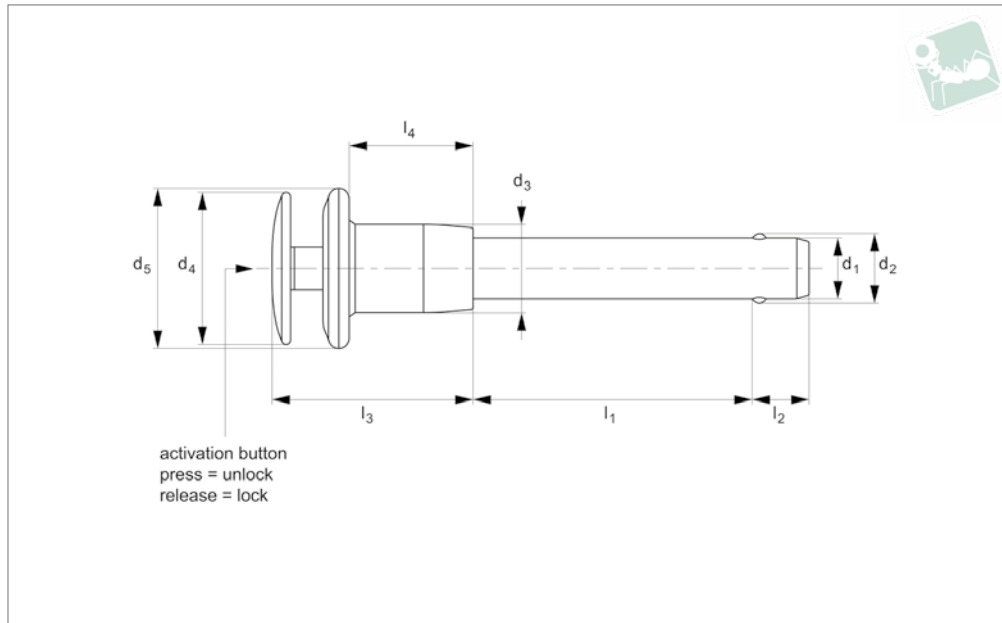




Quick Release Pins - Inch - Dome steel pin

Quick Release Pins



QR1522

QUICK RELEASE PINS

Material

Pin: alloy steel, 4130 (DIN 1.7218), Cadmium plated. Tensile strength 1,100 N/mm² min. Non-RoHS compliant.
Handle: Alu. 2024-T4 (DIN AlCuMg2), black anodised (RAL 9003).
Actuator button: Alu. 2024-T4 (DIN AlCuMg2), anodised blue or clear.
Internal spindle, balls; from stainless steel.

Technical Notes

Pressing = unlocking.
Releasing = locking.
Temperature range -30°C to +150°C
Use of split ring on this model is not advised, as may interfere with operation of activation button. Locating hole for attachment of wire lanyard is present to enable securing of quick release pin to assembly.

Tips

For quick fastening and locking frequently repeated connections.
For lanyards & retaining cables see part nos. L to LA1224. For easy install locating bushes and end caps see part nos. LA1260 to LA1355.

Order No.	d ₁ min.	d ₁ max.	d ₁ nom.	l ₁ grip +0.02 -0.00	Material	d ₂ ±0.005	d ₃	d ₄	d ₅	l ₂ +0.000 - 0.030	l ₃	l ₄	Loc'n hole min. max.	Pull out strength lb min.	Calc. double shear lb
QR1522.I18-050-C	,1870	,1885	3/16	0,50	4130 Steel	0,220	0,47	0,75	0,81	0,260	1,00	0,63	,1900/,1940	200	4600
QR1522.I18-075-C	,1870	,1885	3/16	0,75	4130 Steel	0,220	0,47	0,75	0,81	0,260	1,00	0,63	,1900/,1940	200	4600
QR1522.I18-100-C	,1870	,1885	3/16	1,00	4130 Steel	0,220	0,47	0,75	0,81	0,260	1,00	0,63	,1900/,1940	200	4600
QR1522.I18-125-C	,1870	,1885	3/16	1,25	4130 Steel	0,220	0,47	0,75	0,81	0,260	1,00	0,63	,1900/,1940	200	4600
QR1522.I18-150-C	,1870	,1885	3/16	1,50	4130 Steel	0,220	0,47	0,75	0,81	0,260	1,00	0,63	,1900/,1940	200	4600
QR1522.I18-175-C	,1870	,1885	3/16	1,75	4130 Steel	0,220	0,47	0,75	0,81	0,260	1,00	0,63	,1900/,1940	200	4600
QR1522.I18-200-C	,1870	,1885	3/16	2,00	4130 Steel	0,220	0,47	0,75	0,81	0,260	1,00	0,63	,1900/,1940	200	4600
QR1522.I18-250-C	,1870	,1885	3/16	2,50	4130 Steel	0,220	0,47	0,75	0,81	0,260	1,00	0,63	,1900/,1940	200	4600
QR1522.I18-300-C	,1870	,1885	3/16	3,00	4130 Steel	0,220	0,47	0,75	0,81	0,260	1,00	0,63	,1900/,1940	200	4600
QR1522.I18-350-C	,1870	,1885	3/16	3,50	4130 Steel	0,220	0,47	0,75	0,81	0,260	1,00	0,63	,1900/,1940	200	4600
QR1522.I18-400-C	,1870	,1885	3/16	4,00	4130 Steel	0,220	0,47	0,75	0,81	0,260	1,00	0,63	,1900/,1940	200	4600
QR1522.I25-050-C	,2470	,2485	1/4	0,50	4130 Steel	0,289	0,47	0,75	0,81	0,290	1,00	0,63	,2500/,2540	230	8200
QR1522.I25-075-C	,2470	,2485	1/4	0,75	4130 Steel	0,289	0,47	0,75	0,81	0,290	1,00	0,63	,2500/,2540	230	8200
QR1522.I25-100-C	,2470	,2485	1/4	1,00	4130 Steel	0,289	0,47	0,75	0,81	0,290	1,00	0,63	,2500/,2540	230	8200
QR1522.I25-125-C	,2470	,2485	1/4	1,25	4130 Steel	0,289	0,47	0,75	0,81	0,290	1,00	0,63	,2500/,2540	230	8200
QR1522.I25-150-C	,2470	,2485	1/4	1,50	4130 Steel	0,289	0,47	0,75	0,81	0,290	1,00	0,63	,2500/,2540	230	8200
QR1522.I25-175-C	,2470	,2485	1/4	1,75	4130 Steel	0,289	0,47	0,75	0,81	0,290	1,00	0,63	,2500/,2540	230	8200
QR1522.I25-200-C	,2470	,2485	1/4	2,00	4130 Steel	0,289	0,47	0,75	0,81	0,290	1,00	0,63	,2500/,2540	230	8200
QR1522.I25-250-C	,2470	,2485	1/4	2,50	4130 Steel	0,289	0,47	0,75	0,81	0,290	1,00	0,63	,2500/,2540	230	8200
QR1522.I25-300-C	,2470	,2485	1/4	3,00	4130 Steel	0,289	0,47	0,75	0,81	0,290	1,00	0,63	,2500/,2540	230	8200
QR1522.I25-350-C	,2470	,2485	1/4	3,50	4130 Steel	0,289	0,47	0,75	0,81	0,290	1,00	0,63	,2500/,2540	230	8200
QR1522.I25-400-C	,2470	,2485	1/4	4,00	4130 Steel	0,289	0,47	0,75	0,81	0,290	1,00	0,63	,2500/,2540	230	8200
QR1522.I31-050-C	,3095	,3110	5/16	0,50	4130 Steel	0,375	0,47	0,75	0,81	0,330	1,00	0,63	,3125/,3165	510	12800
QR1522.I31-075-C	,3095	,3110	5/16	0,75	4130 Steel	0,375	0,47	0,75	0,81	0,330	1,00	0,63	,3125/,3165	510	12800
QR1522.I31-100-C	,3095	,3110	5/16	1,00	4130 Steel	0,375	0,47	0,75	0,81	0,330	1,00	0,63	,3125/,3165	510	12800

Quick Release Pins

Quick Release Pins - Inch - Dome steel pin



QUICK RELEASE PINS

Order No.	d ₁ min.	d ₁ max.	d ₁ nom.	l ₁ grip +0.02 -0.00	Material	d ₂ ±0.005	d ₃	d ₄	d ₅	l ₂ +0.000 - 0.030	l ₃	l ₄	Loc'n hole min. max.	Pull out strength lb min.	Calc. double shear lb
QR1522.I31-125-C	,3095	,3110	5/16	1,25	4130 Steel	0,375	0,47	0,75	0,81	0,330	1,00	0,63	,3125/,3165	510	12800
QR1522.I31-150-C	,3095	,3110	5/16	1,50	4130 Steel	0,375	0,47	0,75	0,81	0,330	1,00	0,63	,3125/,3165	510	12800
QR1522.I31-175-C	,3095	,3110	5/16	1,75	4130 Steel	0,375	0,47	0,75	0,81	0,330	1,00	0,63	,3125/,3165	510	12800
QR1522.I31-200-C	,3095	,3110	5/16	2,00	4130 Steel	0,375	0,47	0,75	0,81	0,330	1,00	0,63	,3125/,3165	510	12800
QR1522.I31-250-C	,3095	,3110	5/16	2,50	4130 Steel	0,375	0,47	0,75	0,81	0,330	1,00	0,63	,3125/,3165	510	12800
QR1522.I31-300-C	,3095	,3110	5/16	3,00	4130 Steel	0,375	0,47	0,75	0,81	0,330	1,00	0,63	,3125/,3165	510	12800
QR1522.I31-350-C	,3095	,3110	5/16	3,50	4130 Steel	0,375	0,47	0,75	0,81	0,330	1,00	0,63	,3125/,3165	510	12800
QR1522.I31-400-C	,3095	,3110	5/16	4,00	4130 Steel	0,375	0,47	0,75	0,81	0,330	1,00	0,63	,3125/,3165	510	12800
QR1522.I37-050-C	,3720	,3735	3/8	0,50	4130 Steel	0,440	0,56	0,93	1,00	0,365	1,12	0,70	,3750/,3790	575	18400
QR1522.I37-075-C	,3720	,3735	3/8	0,75	4130 Steel	0,440	0,56	0,93	1,00	0,365	1,12	0,70	,3750/,3790	575	18400
QR1522.I37-100-C	,3720	,3735	3/8	1,00	4130 Steel	0,440	0,56	0,93	1,00	0,365	1,12	0,70	,3750/,3790	575	18400
QR1522.I37-125-C	,3720	,3735	3/8	1,25	4130 Steel	0,440	0,56	0,93	1,00	0,365	1,12	0,70	,3750/,3790	575	18400
QR1522.I37-150-C	,3720	,3735	3/8	1,50	4130 Steel	0,440	0,56	0,93	1,00	0,365	1,12	0,70	,3750/,3790	575	18400
QR1522.I37-175-C	,3720	,3735	3/8	1,75	4130 Steel	0,440	0,56	0,93	1,00	0,365	1,12	0,70	,3750/,3790	575	18400
QR1522.I37-200-C	,3720	,3735	3/8	2,00	4130 Steel	0,440	0,56	0,93	1,00	0,365	1,12	0,70	,3750/,3790	575	18400
QR1522.I37-250-C	,3720	,3735	3/8	2,50	4130 Steel	0,440	0,56	0,93	1,00	0,365	1,12	0,70	,3750/,3790	575	18400
QR1522.I37-300-C	,3720	,3735	3/8	3,00	4130 Steel	0,440	0,56	0,93	1,00	0,365	1,12	0,70	,3750/,3790	575	18400
QR1522.I37-350-C	,3720	,3735	3/8	3,50	4130 Steel	0,440	0,56	0,93	1,00	0,365	1,12	0,70	,3750/,3790	575	18400
QR1522.I37-400-C	,3720	,3735	3/8	4,00	4130 Steel	0,440	0,56	0,93	1,00	0,365	1,12	0,70	,3750/,3790	575	18400
QR1522.I50-100-C	,4970	,4985	1/2	1,00	4130 Steel	0,594	0,72	1,30	1,37	0,460	1,41	0,85	,5000/,5050	1160	32800
QR1522.I50-125-C	,4970	,4985	1/2	1,25	4130 Steel	0,594	0,72	1,30	1,37	0,460	1,41	0,85	,5000/,5050	1160	32800
QR1522.I50-150-C	,4970	,4985	1/2	1,50	4130 Steel	0,594	0,72	1,30	1,37	0,460	1,41	0,85	,5000/,5050	1160	32800
QR1522.I50-175-C	,4970	,4985	1/2	1,75	4130 Steel	0,594	0,72	1,30	1,37	0,460	1,41	0,85	,5000/,5050	1160	32800
QR1522.I50-200-C	,4970	,4985	1/2	2,00	4130 Steel	0,594	0,72	1,30	1,37	0,460	1,41	0,85	,5000/,5050	1160	32800
QR1522.I50-250-C	,4970	,4985	1/2	2,50	4130 Steel	0,594	0,72	1,30	1,37	0,460	1,41	0,85	,5000/,5050	1160	32800
QR1522.I50-300-C	,4970	,4985	1/2	3,00	4130 Steel	0,594	0,72	1,30	1,37	0,460	1,41	0,85	,5000/,5050	1160	32800
QR1522.I50-350-C	,4970	,4985	1/2	3,50	4130 Steel	0,594	0,72	1,30	1,37	0,460	1,41	0,85	,5000/,5050	1160	32800
QR1522.I50-400-C	,4970	,4985	1/2	4,00	4130 Steel	0,594	0,72	1,30	1,37	0,460	1,41	0,85	,5000/,5050	1160	32800
QR1522.I50-450-C	,4970	,4985	1/2	4,50	4130 Steel	0,594	0,72	1,30	1,37	0,460	1,41	0,85	,5000/,5050	1160	32800
QR1522.I50-500-C	,4970	,4985	1/2	5,00	4130 Steel	0,594	0,72	1,30	1,37	0,460	1,41	0,85	,5000/,5050	1160	32800
QR1522.I50-550-C	,4970	,4985	1/2	5,50	4130 Steel	0,594	0,72	1,30	1,37	0,460	1,41	0,85	,5000/,5050	1160	32800
QR1522.I50-600-C	,4970	,4985	1/2	6,00	4130 Steel	0,594	0,72	1,30	1,37	0,460	1,41	0,85	,5000/,5050	1160	32800
QR1522.I62-150-C	,6220	,6235	5/8	1,50	4130 Steel	0,750	0,94	1,68	1,75	0,580	1,84	1,10	,6250/,6300	2070	51200
QR1522.I62-175-C	,6220	,6235	5/8	1,75	4130 Steel	0,750	0,94	1,68	1,75	0,580	1,84	1,10	,6250/,6300	2070	51200
QR1522.I62-200-C	,6220	,6235	5/8	2,00	4130 Steel	0,750	0,94	1,68	1,75	0,580	1,84	1,10	,6250/,6300	2070	51200
QR1522.I62-250-C	,6220	,6235	5/8	2,50	4130 Steel	0,750	0,94	1,68	1,75	0,580	1,84	1,10	,6250/,6300	2070	51200
QR1522.I62-300-C	,6220	,6235	5/8	3,00	4130 Steel	0,750	0,94	1,68	1,75	0,580	1,84	1,10	,6250/,6300	2070	51200
QR1522.I62-350-C	,6220	,6235	5/8	3,50	4130 Steel	0,750	0,94	1,68	1,75	0,580	1,84	1,10	,6250/,6300	2070	51200
QR1522.I62-400-C	,6220	,6235	5/8	4,00	4130 Steel	0,750	0,94	1,68	1,75	0,580	1,84	1,10	,6250/,6300	2070	51200
QR1522.I62-450-C	,6220	,6235	5/8	4,50	4130 Steel	0,750	0,94	1,68	1,75	0,580	1,84	1,10	,6250/,6300	2070	51200
QR1522.I62-500-C	,6220	,6235	5/8	5,00	4130 Steel	0,750	0,94	1,68	1,75	0,580	1,84	1,10	,6250/,6300	2070	51200
QR1522.I62-550-C	,6220	,6235	5/8	5,50	4130 Steel	0,750	0,94	1,68	1,75	0,580	1,84	1,10	,6250/,6300	2070	51200
QR1522.I62-600-C	,6220	,6235	5/8	6,00	4130 Steel	0,750	0,94	1,68	1,75	0,580	1,84	1,10	,6250/,6300	2070	51200