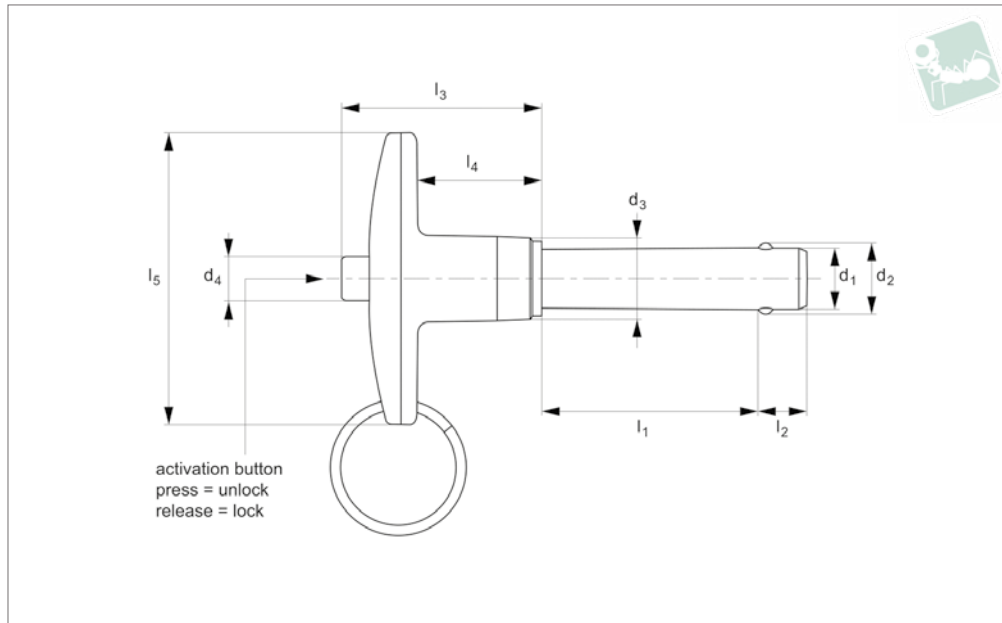




# Quick Release Pins - Inch - T-handle stainless pin

# Quick Release Pins



## QR1024

QUICK RELEASE PINS

### Material

Pin: stainless steel, AISI 304 (DIN 1.4301) or AISI 303 (DIN 1.4305), passivated.

Tensile strength 500 N/mm<sup>2</sup> min. RoHS compliant.

Handle: Alu. 380 die cast (DIN AlSi9Cu3), black anodised (RAL 9003).

Actuator button: Alu. 2024-T4 (DIN AlCuMg2), anodised blue or clear.

Internal spindle, balls and split ring (supplied); from stainless steel.

### Technical Notes

Pressing = unlocking.

Releasing = locking.

Temperature range -30°C to +150°C

**Supplied with split ring.**

### Tips

For quick fastening and locking frequently repeated connections.

For lanyards & retaining cables see part nos. L to LA1224. For easy install locating bushes and end caps see part nos. LA1260 to LA1355.

Order No.	d <sub>1</sub> nom.	l <sub>1</sub> grip +0.02 - 0.00	Material	d <sub>1</sub> max.	d <sub>1</sub> min.	d <sub>2</sub> ±0.005	d <sub>3</sub>	d <sub>4</sub>	l <sub>2</sub> +0.000  -0.030	l <sub>3</sub>	l <sub>4</sub>	l <sub>5</sub>	Loc'n hole min. max.	Pull out strength lb min.	Calc. double shear lb
QR1024.I25-050-S	1/4	0,50	304 SS	,2485	,2470	0,289	0,47	0,23	0,290	1,21	0,76	1,81	,2500/,2540	230	2200
QR1024.I25-075-S	1/4	0,75	304 SS	,2485	,2470	0,289	0,47	0,23	0,290	1,21	0,76	1,81	,2500/,2540	230	2200
QR1024.I25-100-S	1/4	1,00	304 SS	,2485	,2470	0,289	0,47	0,23	0,290	1,21	0,76	1,81	,2500/,2540	230	2200
QR1024.I25-125-S	1/4	1,25	304 SS	,2485	,2470	0,289	0,47	0,23	0,290	1,21	0,76	1,81	,2500/,2540	230	2200
QR1024.I25-150-S	1/4	1,50	304 SS	,2485	,2470	0,289	0,47	0,23	0,290	1,21	0,76	1,81	,2500/,2540	230	2200
QR1024.I25-175-S	1/4	1,75	304 SS	,2485	,2470	0,289	0,47	0,23	0,290	1,21	0,76	1,81	,2500/,2540	230	2200
QR1024.I25-200-S	1/4	2,00	304 SS	,2485	,2470	0,289	0,47	0,23	0,290	1,21	0,76	1,81	,2500/,2540	230	2200
QR1024.I25-250-S	1/4	2,50	304 SS	,2485	,2470	0,289	0,47	0,23	0,290	1,21	0,76	1,81	,2500/,2540	230	2200
QR1024.I25-300-S	1/4	3,00	304 SS	,2485	,2470	0,289	0,47	0,23	0,290	1,21	0,76	1,81	,2500/,2540	230	2200
QR1024.I25-350-S	1/4	3,50	304 SS	,2485	,2470	0,289	0,47	0,23	0,290	1,21	0,76	1,81	,2500/,2540	230	2200
QR1024.I25-400-S	1/4	4,00	304 SS	,2485	,2470	0,289	0,47	0,23	0,290	1,21	0,76	1,81	,2500/,2540	230	2200
QR1024.I31-050-S	5/16	0,50	304 SS	,3110	,3095	0,375	0,47	0,23	0,330	1,21	0,76	1,81	,3125/,3165	510	3500
QR1024.I31-075-S	5/16	0,75	304 SS	,3110	,3095	0,375	0,47	0,23	0,330	1,21	0,76	1,81	,3125/,3165	510	3500
QR1024.I31-100-S	5/16	1,00	304 SS	,3110	,3095	0,375	0,47	0,23	0,330	1,21	0,76	1,81	,3125/,3165	510	3500
QR1024.I31-125-S	5/16	1,25	304 SS	,3110	,3095	0,375	0,47	0,23	0,330	1,21	0,76	1,81	,3125/,3165	510	3500
QR1024.I31-150-S	5/16	1,50	304 SS	,3110	,3095	0,375	0,47	0,23	0,330	1,21	0,76	1,81	,3125/,3165	510	3500
QR1024.I31-175-S	5/16	1,75	304 SS	,3110	,3095	0,375	0,47	0,23	0,330	1,21	0,76	1,81	,3125/,3165	510	3500
QR1024.I31-200-S	5/16	2,00	304 SS	,3110	,3095	0,375	0,47	0,23	0,330	1,21	0,76	1,81	,3125/,3165	510	3500
QR1024.I31-250-S	5/16	2,50	304 SS	,3110	,3095	0,375	0,47	0,23	0,330	1,21	0,76	1,81	,3125/,3165	510	3500
QR1024.I31-300-S	5/16	3,00	304 SS	,3110	,3095	0,375	0,47	0,23	0,330	1,21	0,76	1,81	,3125/,3165	510	3500
QR1024.I31-350-S	5/16	3,50	304 SS	,3110	,3095	0,375	0,47	0,23	0,330	1,21	0,76	1,81	,3125/,3165	510	3500
QR1024.I31-400-S	5/16	4,00	304 SS	,3110	,3095	0,375	0,47	0,23	0,330	1,21	0,76	1,81	,3125/,3165	510	3500
QR1024.I37-050-S	3/8	0,50	304 SS	,3735	,3720	0,440	0,56	0,29	0,365	1,37	0,87	2,00	,3750/,3790	575	4500
QR1024.I37-075-S	3/8	0,75	304 SS	,3735	,3720	0,440	0,56	0,29	0,365	1,37	0,87	2,00	,3750/,3790	575	4500
QR1024.I37-100-S	3/8	1,00	304 SS	,3735	,3720	0,440	0,56	0,29	0,365	1,37	0,87	2,00	,3750/,3790	575	4500
QR1024.I37-125-S	3/8	1,25	304 SS	,3735	,3720	0,440	0,56	0,29	0,365	1,37	0,87	2,00	,3750/,3790	575	4500

# Quick Release Pins

# Quick Release Pins - Inch - T-handle stainless pin



QUICK RELEASE PINS

Order No.	d <sub>1</sub> nom.	l <sub>1</sub> grip +0.02 - 0.00	Material	d <sub>1</sub> max.	d <sub>1</sub> min.	d <sub>2</sub> ±0.005	d <sub>3</sub>	d <sub>4</sub>	l <sub>2</sub> +0.000  -0.030	l <sub>3</sub>	l <sub>4</sub>	l <sub>5</sub>	Loc'n hole min. max.	Pull out strength lb min.	Calc. double shear lb
QR1024.I37-150-S	3/8	1,50	304 SS	,3735	,3720	0,440	0,56	0,29	0,365	1,37	0,87	2,00	,3750/,3790	575	4500
QR1024.I37-175-S	3/8	1,75	304 SS	,3735	,3720	0,440	0,56	0,29	0,365	1,37	0,87	2,00	,3750/,3790	575	4500
QR1024.I37-200-S	3/8	2,00	304 SS	,3735	,3720	0,440	0,56	0,29	0,365	1,37	0,87	2,00	,3750/,3790	575	4500
QR1024.I37-250-S	3/8	2,50	304 SS	,3735	,3720	0,440	0,56	0,29	0,365	1,37	0,87	2,00	,3750/,3790	575	4500
QR1024.I37-300-S	3/8	3,00	304 SS	,3735	,3720	0,440	0,56	0,29	0,365	1,37	0,87	2,00	,3750/,3790	575	4500
QR1024.I37-350-S	3/8	3,50	304 SS	,3735	,3720	0,440	0,56	0,29	0,365	1,37	0,87	2,00	,3750/,3790	575	4500
QR1024.I37-400-S	3/8	4,00	304 SS	,3735	,3720	0,440	0,56	0,29	0,365	1,37	0,87	2,00	,3750/,3790	575	4500
QR1024.I50-100-S	1/2	1,00	304 SS	,4985	,4970	0,594	0,72	0,42	0,460	1,60	1,00	2,25	,5000/,5050	1160	11500
QR1024.I50-125-S	1/2	1,25	304 SS	,4985	,4970	0,594	0,72	0,42	0,460	1,60	1,00	2,25	,5000/,5050	1160	11500
QR1024.I50-150-S	1/2	1,50	304 SS	,4985	,4970	0,594	0,72	0,42	0,460	1,60	1,00	2,25	,5000/,5050	1160	11500
QR1024.I50-175-S	1/2	1,75	304 SS	,4985	,4970	0,594	0,72	0,42	0,460	1,60	1,00	2,25	,5000/,5050	1160	11500
QR1024.I50-200-S	1/2	2,00	304 SS	,4985	,4970	0,594	0,72	0,42	0,460	1,60	1,00	2,25	,5000/,5050	1160	11500
QR1024.I50-250-S	1/2	2,50	304 SS	,4985	,4970	0,594	0,72	0,42	0,460	1,60	1,00	2,25	,5000/,5050	1160	11500
QR1024.I50-300-S	1/2	3,00	304 SS	,4985	,4970	0,594	0,72	0,42	0,460	1,60	1,00	2,25	,5000/,5050	1160	11500
QR1024.I50-350-S	1/2	3,50	304 SS	,4985	,4970	0,594	0,72	0,42	0,460	1,60	1,00	2,25	,5000/,5050	1160	11500
QR1024.I50-400-S	1/2	4,00	304 SS	,4985	,4970	0,594	0,72	0,42	0,460	1,60	1,00	2,25	,5000/,5050	1160	11500
QR1024.I50-450-S	1/2	4,50	304 SS	,4985	,4970	0,594	0,72	0,42	0,460	1,60	1,00	2,25	,5000/,5050	1160	11500
QR1024.I50-500-S	1/2	5,00	304 SS	,4985	,4970	0,594	0,72	0,42	0,460	1,60	1,00	2,25	,5000/,5050	1160	11500
QR1024.I50-550-S	1/2	5,50	304 SS	,4985	,4970	0,594	0,72	0,42	0,460	1,60	1,00	2,25	,5000/,5050	1160	11500
QR1024.I50-600-S	1/2	6,00	304 SS	,4985	,4970	0,594	0,72	0,42	0,460	1,60	1,00	2,25	,5000/,5050	1160	11500