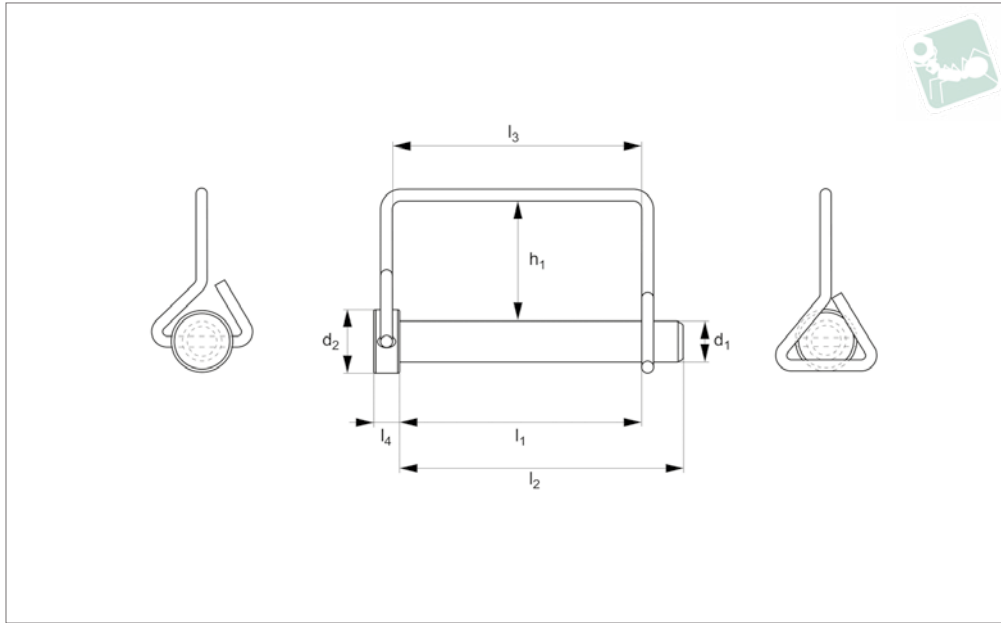




Lock Pin - Square Wire - Single steel

Pull Pins



PP1706

PULL PINS

Material

Pin: Carbon steel, C1008-C1010, zinc plated.
 Single wire loop: hard drawn spring wire.

Technical Notes

Pin and cotter in one, preventing loss of

parts. Pull wire over pin to lock in place, no need for separate clevis pin and cotter. Ideal economic solution for quick release applications. Whereas part PP1700 has a double wire loop, PP1706 has just a single wire loop.

Tips

Use lanyard or retaining cable to permanently attach wire lock pin to assembly, see part nos. L to LA1224. Also known as PTO Pins, Snapper Pins, Hitch Pins and Quick Pins.

Order No.	d ₁	l ₁	d ₂	h ₁	l ₂	l ₃	l ₄
PP1706.050-300-C	12,7(1/2")	78,59(3")	19.05	41.3	88.9	78.59	7.94