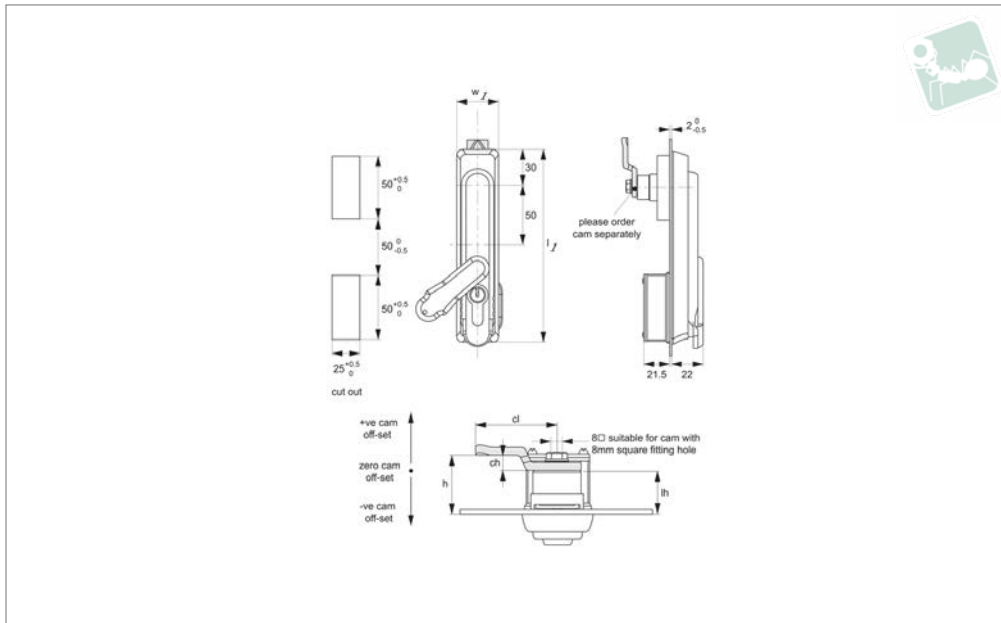




Swing Handles - Cam Control

40mm euro cylinder lock - dust cover - polyamide

Swing Handles



PL0110

SWING HANDLES

Material

Body & Handle: polyamide, PA6, black.
Cylinder lock: die cast zinc, chrome plated.

Supplied with: Keys: two per lock.

Not supplied: Cam: order separately.

Supplied with: Keys: two per lock.

Not supplied: Cam: order separately.

Technical Notes

Order cam separately.

Cams: see suitable cam CC0020, and

CC0040. Select „without projection“ cam type.

Dimensions ch and cl relate to cam. Use formula to calculate ch (required cam off-set), and refer to cam selection chart;

ch = h - lh where;

ch = required cam off-set/height.

h = grip length (distance between inside of latch face and front of cam).

lh = body length of cam latch/lock to be

used (see product table below).

Rods & Guides: to achieve 3-point latching - CC0340, CC0350, CC0355.

Tips

Also available with radial pin lock, subject to min. order quantity.

Ideal for electrical cabinets, telecom racks or enclosures max. panel thickness of 2mm. For use inside of cabinet gasket. Universal left/right.

Order No.	Finish	Lock type	Key type	l ₁	w ₁	lh
PL0110.M0020	Black, Plastic	40 Euro	Keyed Alike	160	35	16