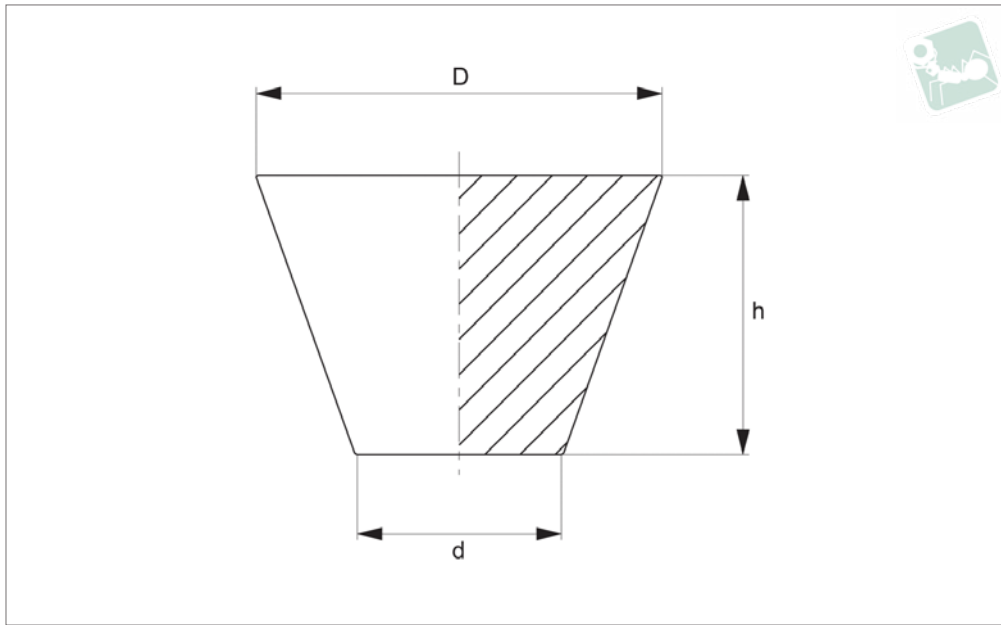




# High Temperature Plugs silicone

## Other Plastics



### 08253.N7

OTHER PLASTICS

#### Material

Silicone, natural.  
Temperature resistant to +300°C.

wide range of finishing processes such as spraying, over painting etc.

#### Important Notes

Sold subject to minimum pack quantity.

#### Technical Notes

Plugging of plain or threaded holes for

| Order No.    | d <sub>1</sub> | h    | d <sub>2</sub> |
|--------------|----------------|------|----------------|
| 08253.AC0531 | 0.8            | 15.9 | 3.2            |
| 08253.AC0533 | 1.6            | 15.9 | 4.8            |
| 08253.AC0535 | 3.2            | 19.1 | 6.4            |
| 08253.AC0537 | 4.8            | 15.9 | 8.7            |
| 08253.AC0539 | 6.4            | 19.1 | 9.5            |
| 08253.AC0540 | 7.9            | 25.4 | 14.3           |
| 08253.AC0541 | 8.7            | 17.5 | 11.1           |
| 08253.AC0543 | 10.3           | 25.4 | 15.1           |
| 08253.AC0545 | 12.7           | 25.4 | 16.7           |
| 08253.AC0547 | 14.3           | 25.4 | 19.1           |
| 08253.AC0549 | 15.9           | 25.4 | 19.8           |
| 08253.AC0551 | 18.3           | 25.4 | 23.8           |
| 08253.AC0553 | 19.8           | 25.4 | 25.4           |