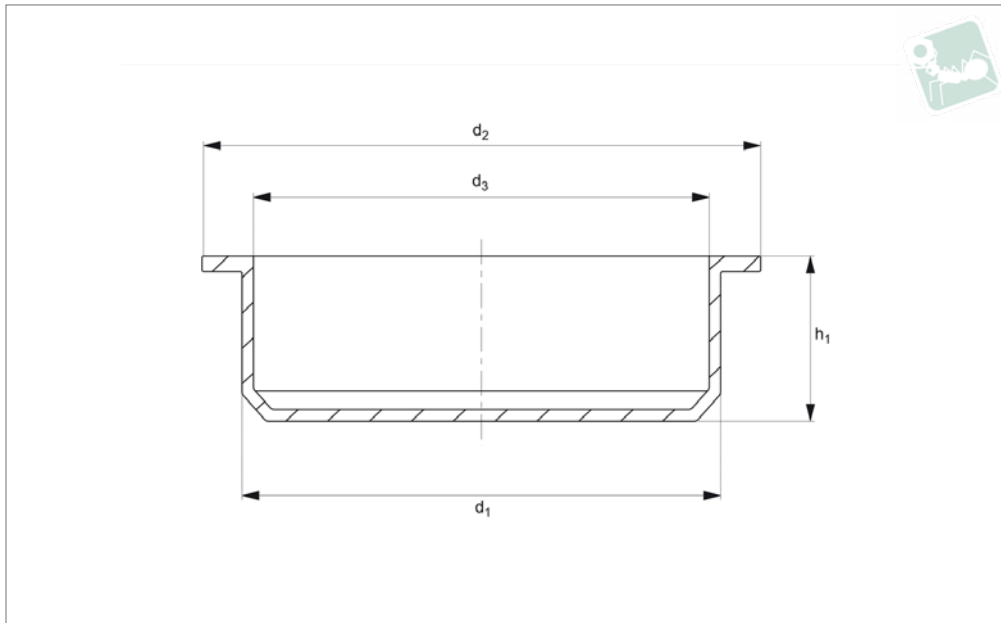




Parallel Protection Plug

push fit

Other Plastics



08209.N3

OTHER PLASTICS

Material

Polyethylene, natural colour.

Technical Notes

General purpose for a wide range of appli-

cations.

Important Notes

Sold subject to minimum pack quantity.

Order No.	d_1	d_2	d_3	h_1	Thread	Thread inch
08209.AC0001	3.0	6.5	2.0	5.2	-	-
08209.AC0003	3.5	6.9	2.0	5.5	M 4	-
08209.AC0005	4.0	7.5	3.0	6	-	-
08209.AC0007	4.5	8.0	3.5	6.0	M 5	-
08209.AC0009	5.0	9.0	4.0	7.0	M 6	-
08209.AC0011	5.5	9.0	4.5	7.0	-	-
08209.AC0013	6.0	9.5	5.0	7.0	-	-
08209.AC0015	6.5	9.9	5.5	8.0	-	-
08209.AC0017	7.0	10.0	6.0	7.2	M 8	-
08209.AC0019	7.5	10.5	6.3	7.5	-	-
08209.AC0021	8.0	11.3	7.0	7.8	-	-
08209.AC0023	8.5	11.5	7.5	8.7	M10	-
08209.AC0025	9.0	11.8	8.0	8.6	-	1/8"
08209.AC0027	9.5	12.3	8.5	8.2	-	-
08209.AC0029	10.0	12.8	9.0	9.0	-	-
08209.AC0031	10.5	13.5	9.5	8.8	M12	-
08209.AC0033	11.0	14.0	10.0	9.0	-	-
08209.AC0035	11.5	14.5	10.5	9.0	-	-
08209.AC0037	12.0	15.3	11.0	9.2	-	1/4"
08209.AC0039	12.5	15.7	11.5	9.2	M14	-
08209.AC0041	13.0	16.3	12.0	10.0	-	-
08209.AC0043	13.5	16.5	12.5	10.0	-	-
08209.AC0045	14.0	17.0	13.0	10.2	-	-
08209.AC0047	14.5	17.5	13.5	10.2	M16	-
08209.AC0049	15.0	18.4	14.0	10.2	-	-
08209.AC0051	15.5	19.3	14.5	10.2	-	3/8"
08209.AC0053	16.0	20.0	15.0	11.0	M18	-
08209.AC0055	16.5	20.7	15.5	11.0	-	-
08209.AC0057	17.0	20.2	16.0	11.0	-	-
08209.AC0059	17.5	20.7	16.5	11.0	-	-
08209.AC0061	18.0	21.5	17.0	11.0	M20	-
08209.AC0063	18.5	23.0	17.5	11.0	-	-
08209.AC0065	19.0	22.7	18.0	11.2	-	1/2"
08209.AC0067	19.5	23.5	18.5	11.7	-	-



Order No.	d ₁	d ₂	d ₃	h ₁	Thread	Thread inch
08209.AC0069	20.0	23.5	19.0	11.7	M22	-
08209.AC0071	20.5	24.5	19.5	11.7	-	-
08209.AC0073	21.0	25.0	20.0	11.8	-	5/8"
08209.AC0075	21.5	25.5	20.0	12.0	M24	-
08209.AC0077	22.0	26.4	20.8	12.0	-	-
08209.AC0081	23.0	27.0	21.5	12.2	-	-
08209.AC0085	24.0	28.0	22.5	12.0	-	-
08209.AC0089	25.0	30.0	23.5	12.0	M27	3/4"
08209.AC0093	26.0	30.9	24.5	11.6	-	-
08209.AC0095	26.5	30.4	25.0	11.5	-	-
08209.AC0097	27.0	31.0	25.2	10.4	M30	-
08209.AC0101	28.0	31.3	26.0	11.5	-	-
08209.AC0105	29.0	32.0	27.0	10.5	-	7/8"
08209.AC0109	30.0	33.0	28.0	10.8	M33	-
08209.AC0113	31.0	35.0	29.0	11.8	-	1"
08209.AC0117	32.0	36.9	30.0	11.6	-	-
08209.AC0119	32.5	37.4	30.5	11.6	M36	-
08209.AC0123	33.0	37.7	31.0	11.4	-	-
08209.AC0127	34.0	38.5	32.0	11.7	-	-
08209.AC0131	35.0	40.0	33.0	11.4	-	-
08209.AC0135	36.0	41.2	34.0	12.0	M39	-
08209.AC0139	37.0	41.6	35.0	11.5	-	-
08209.AC0143	38.0	42.0	36.0	11.5	M42	-
08209.AC0147	39.0	43.8	37.0	11.3	-	-
08209.AC0151	40.0	44.5	38.0	11.5	-	1,1/4"
08209.AC0155	41.0	45.7	39.0	11.5	-	-
08209.AC0159	42.0	47.0	40.0	11.3	-	-
08209.AC0163	43.0	47.5	41.0	11.8	-	-
08209.AC0167	44.0	48.6	42.0	11.3	-	-
08209.AC0175	46.0	50.6	44.0	11.3	-	1,1/2"
08209.AC0179	47.0	51.3	45.0	11.3	-	-
08209.AC0183	48.0	53.2	46.0	11.5	-	-
08209.AC0187	49.0	53.7	47.0	11.5	-	-
08209.AC0191	50.0	54.1	48.0	11.0	-	-
08209.AC0195	51.0	54.5	49.0	10.8	-	-
08209.AC0199	52.0	60.0	50.0	12.0	-	-
08209.AC0203	53.0	59.0	51.0	11.9	-	-
08209.AC0207	54.0	60.5	52.0	12.0	-	-
08209.AC0211	55.0	61.2	53.0	12.0	-	-
08209.AC0215	56.0	62.4	54.0	13.0	-	-
08209.AC0219	57.0	60.2	55.0	10.8	-	-
08209.AC0223	58.0	64.6	56.0	11.7	-	-
08209.AC0227	59.0	66.7	57.0	10.7	-	-
08209.AC0231	60.0	67.3	58.0	12.0	-	-
08209.AC0235	61.0	67.1	59.0	12.5	-	-
08209.AC0239	62.0	68.7	60.0	12.2	-	-
08209.AC0243	63.0	66.5	61.0	11.0	-	-
08209.AC0245	63.5	69.5	61.0	11.5	-	-
08209.AC0247	64.0	67.2	62.0	10.7	-	-
08209.AC0251	65.0	68.7	63.0	11.5	-	-
08209.AC0255	66.0	71.5	64.0	11.7	-	-
08209.AC0259	67.0	73.0	65.0	11.5	-	-
08209.AC0263	68.0	74.2	66.0	11.8	-	-
08209.AC0267	69.0	75.0	67.0	11.9	-	-
08209.AC0271	70.0	74.2	68.0	12.1	-	-
08209.AC0275	71.0	75.0	69.0	12.5	-	-
08209.AC0279	72.0	79.0	70.0	13.0	-	-
08209.AC0283	73.0	76.5	71.0	12.0	-	-
08209.AC0287	74.0	77.0	72.0	11.8	-	-
08209.AC0291	75.0	78.5	72.5	11.2	-	-
08209.AC0295	76.0	78.8	74.0	11.5	-	-
08209.AC0299	77.0	80.5	75.0	11.0	-	-
08209.AC0303	78.0	81.7	76.0	11.7	-	-
08209.AC0307	79.0	82.0	77.0	11.0	-	-
08209.AC0311	80.0	83.5	78.0	10.7	-	-
08209.AC0315	81.0	84.0	79.0	10.7	-	-
08209.AC0319	82.0	85.5	80.0	10.5	-	-
08209.AC0323	83.0	86.0	81.0	10.7	-	-



Parallel Protection Plug push fit

Other Plastics

Order No.	d ₁	d ₂	d ₃	h ₁	Thread	Thread inch
08209.AC0327	84.0	90.0	82.0	12.0	-	-
08209.AC0329	84.5	90.0	82.0	9.2	-	-
08209.AC0331	85.0	89.0	83.0	11.0	-	-
08209.AC0335	86.0	89.0	83.5	11.0	-	-
08209.AC0339	86.5	90.0	84.0	11.0	-	-
08209.AC0343	87.0	90.0	85.0	10.7	-	-
08209.AC0347	88.0	91.0	86.0	10.5	-	-
08209.AC0351	89.0	92.5	87.0	12.0	-	-
08209.AC0355	90.0	93.5	88.0	11.0	-	-
08209.AC0359	91.0	94.3	89.0	11.0	-	-
08209.AC0363	92.0	95.8	90.0	10.8	-	-
08209.AC0367	93.0	95.6	91.0	10.8	-	-
08209.AC0371	94.0	97.5	92.0	10.7	-	-
08209.AC0375	95.0	97.8	93.0	10.7	-	-
08209.AC0379	96.0	99.5	94.0	10.8	-	-
08209.AC0383	97.0	100.1	95.0	10.7	-	-
08209.AC0387	98.0	101.8	96.0	10.8	-	-
08209.AC0391	99.0	102.5	97.0	10.7	-	-
08209.AC0395	100.0	104.5	98.0	11.5	-	-
08209.AC0475	120.0	125.0	117.0	14.0	-	-

OTHER PLASTICS