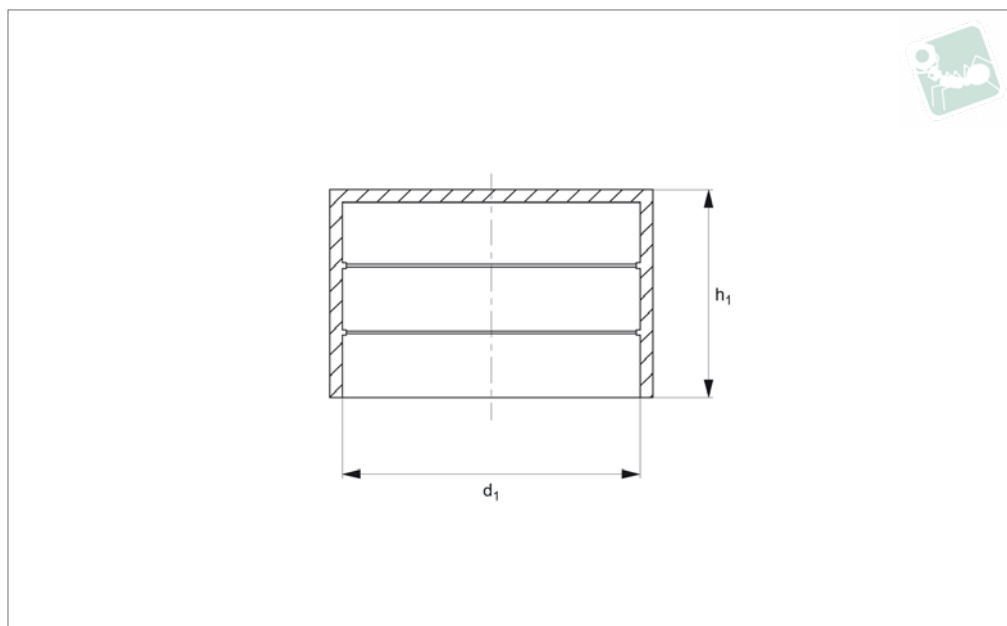




# Tube End Caps push-fit

## Other Plastics



### 08200.N3

OTHER PLASTICS

#### Material

Low density polyethylene.  
Natural colour/yellow.

#### Important Notes

Sold subject to minimum pack quantity.

Order No.	Ext. tube dia. $d_1$ mm	Ext. tube dia. inch	$h_1$
08200.AC0001	4.0	-	22.0
08200.AC0003	6.0	-	18.0
08200.AC0005	6.0	-	18.0
08200.AC0007	6.35	-	18.0
08200.AC0009	7.0	-	18.0
08200.AC0011	8.0	-	19.0
08200.AC0013	9.6	1/8"	18.0
08200.AC0015	10.0	1/8"	18.0
08200.AC0017	11.0	-	15.0
08200.AC0019	12.0	-	18.0
08200.AC0021	12.7	-	18.0
08200.AC0023	13.0	1/4"	18.0
08200.AC0025	13.7	1/4"	18.0
08200.AC0027	14.0	-	20.0
08200.AC0029	15.0	-	19.0
08200.AC0031	15.5	-	19.5
08200.AC0033	16.0	-	20.0
08200.AC0035	17.2	3/8"	20.0
08200.AC0037	18.0	-	20.0
08200.AC0039	18.5	-	20.0
08200.AC0041	19.0	-	20.0
08200.AC0043	20.0	-	20.0
08200.AC0045	21.3	1/2"	16.0
08200.AC0047	22.0	-	20.0
08200.AC0049	23.2	-	19.0
08200.AC0051	24.0	-	20.0
08200.AC0053	24.8	-	20.0
08200.AC0055	25.4	-	20.0
08200.AC0057	26.0	-	20.0
08200.AC0059	26.9	3/4"	20.0
08200.AC0061	28.5	-	24.0
08200.AC0063	30.0	-	25.0
08200.AC0065	31.8	-	20.0
08200.AC0067	33.7	1"	20.0



Order No.	Ext. tube dia. d <sub>1</sub> mm	Ext. tube dia. inch	h <sub>1</sub>
08200.AC0069	35.0	-	25.0
08200.AC0071	38.0	-	20.0
08200.AC0073	39.0	-	17.0
08200.AC0075	40.0	-	25.0
08200.AC0077	41.3	-	20.0
08200.AC0079	42.4	1,1/4"	25.3
08200.AC0081	44.5	-	25.0
08200.AC0083	45.4	-	20.0
08200.AC0085	47.5	-	25.0
08200.AC0087	48.3	1,1/2"	25.0
08200.AC0089	51.0	-	27.5
08200.AC0091	52.0	-	28.0
08200.AC0093	52.8	-	28.0
08200.AC0095	54.0	1,3/4"	27.5
08200.AC0097	55.0	-	29.0
08200.AC0099	57.0	-	26.5
08200.AC0101	59.0	-	27.0
08200.AC0103	60.3	2"	27.0
08200.AC0105	63.5	-	27.0
08200.AC0107	65.0	-	35.0
08200.AC0109	67.0	-	35.0
08200.AC0111	70.0	-	35.5
08200.AC0113	73.0	2,1/2"	30.0
08200.AC0115	75.0	-	28.0
08200.AC0117	76.0	2,1/2"	30.0
08200.AC0119	77.0	-	35.0
08200.AC0121	78.0	-	29.5
08200.AC0123	80.0	-	29.5
08200.AC0127	82.0	-	30.0
08200.AC0129	83.0	2,3/4"	30.0
08200.AC0131	85.0	-	30.0
08200.AC0133	88.9	3"	35.0
08200.AC0135	92.4	-	25.0
08200.AC0137	95.0	-	37.5
08200.AC0139	98.0	-	37.5
08200.AC0141	100.0	-	31.0
08200.AC0143	101.6	3,1/2"	30.0
08200.AC0145	103.0	-	35.0
08200.AC0151	105.0	-	40.0
08200.AC0153	108.0	-	35.0
08200.AC0155	110.0	-	38.0
08200.AC0157	114.3	4"	33.0
08200.AC0159	116.3	-	38.5
08200.AC0161	117.5	-	38.5
08200.AC0163	121.0	-	38.0
08200.AC0165	125.0	-	35.0
08200.AC0169	127.0	4,1/2"	35.0
08200.AC0171	130.0	-	40.0
08200.AC0173	133.0	-	40.0
08200.AC0175	136.0	-	40.0
08200.AC0177	138.0	-	32.5
08200.AC0179	139.7	5"	33.5
08200.AC0181	141.3	5"	34.5
08200.AC0183	146.0	-	40.0
08200.AC0185	148.0	-	35.0
08200.AC0189	152.4	5,1/2"	40.0
08200.AC0191	156.0	-	40.0
08200.AC0193	159.0	-	37.0
08200.AC0195	165.0	-	40.0
08200.AC0197	168.3	6"	38.5
08200.AC0199	170.0	-	45.0
08200.AC0201	176.0	-	40.0
08200.AC0203	177.8	-	40.0
08200.AC0205	180.0	-	40.0
08200.AC0207	185.0	-	40.0
08200.AC0209	190.0	-	40.0
08200.AC0211	193.7	-	42.0
08200.AC0213	200.0	-	50.0



## Tube End Caps push-fit

## Other Plastics

Order No.	Ext. tube dia. $d_1$ mm	Ext. tube dia. inch	$h_1$
08200.AC0215	210.0	-	40.0
08200.AC0217	219.1	8"	44.0
08200.AC0219	225.0	-	39.0
08200.AC0221	232.0	-	40.0
08200.AC0223	242.0	-	50.0
08200.AC0225	245.0	-	49.0
08200.AC0227	250.0	-	47.0
08200.AC0229	267.0	-	43.0
08200.AC0231	273.0	10"	49.0
08200.AC0237	323.9	12"	55.0
08200.AC0239	355.6	14"	56.0
08200.AC0241	366.0	-	54.0
08200.AC0243	400.0	-	65.0
08200.AC0247	406.4	16"	60.5
08200.AC0249	450.0	-	65.0
08200.AC0251	457.2	18"	63.0
08200.AC0253	508.0	20"	65.0
08200.AC0255	558.8	22"	60.0
08200.AC0257	609.6	24"	61.0
08200.AC0259	660.4	26"	115.0
08200.AC0261	711.2	28"	115.0
08200.AC0263	762.0	30"	115.0
08200.AC0265	812.4	32"	115.0
08200.AC0267	914.4	36"	115.0
08200.AC0269	1016.0	40"	115.0
08200.AC0271	1066.8	42"	115.0
08200.AC0273	1117.6	44"	125.0
08200.AC0275	1219.2	48"	115.0
08200.AC0277	1320.8	52"	150.0
08200.AC0281	1422.4	56"	150.0
08200.AC0283	1524.0	60"	150.0
08200.AC0285	1625.6	64"	150.0