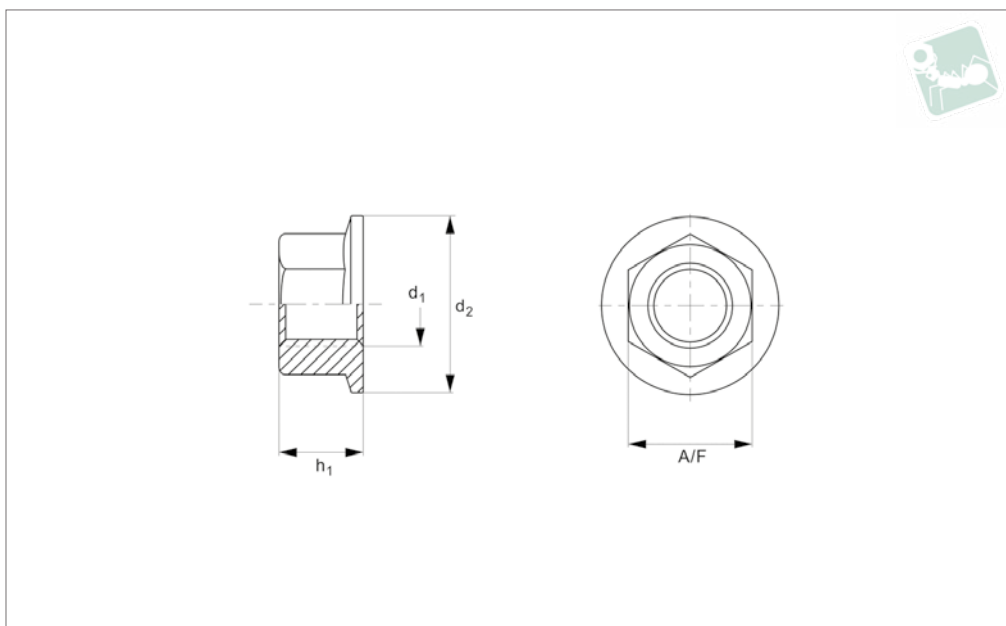




Full Nut With Flange

Flanged, DIN 6923

Nylon



N0523.NO

NYLON

Material
Nylon.

Technical Notes
To DIN 6923

Order No.	d ₁	d ₂ max.	h ₁ max.	A/F	Material	Finish
N0523.030-N0-00	M 3	8	4.0	5.5	Nylon	unfinished
N0523.040-N0-00	M 4	10.0	4.5	7.0	Nylon	unfinished
N0523.050-N0-00	M 5	11.8	5.0	8.0	Nylon	unfinished
N0523.060-N0-00	M 6	14.2	6.0	10	Nylon	unfinished
N0523.080-N0-00	M 8	17.9	8.0	13	Nylon	unfinished
N0523.100-N0-00	M10	21.8	10.0	15	Nylon	unfinished