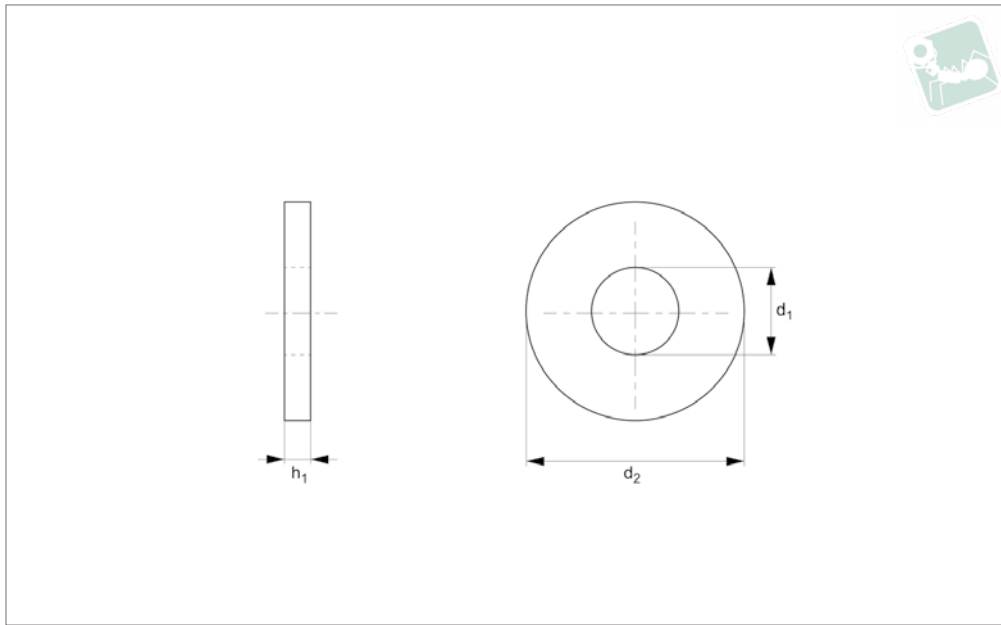




Flat Washers, Glass Filled

DIN 125 A

Nylon



N0406.14N

NYLON

Material

Nylon 66 (PA 6/66), 30% glass filled.
Natural.

the dimensions of our plastic DIN equivalents are close to the norm but do not follow the strict tolerances typically relevant to metal parts.

Technical Notes

DIN norms were created for metal parts,

Order No.	For thread	d ₁	d ₂	h	Material	Grade	Finish	To standard
14N.050.0100.1AD	M 5	5.3	10.0	1.0	PA-6/66	Glass 0.3	Natural	DIN 125
14N.060.0120.1AD	M 6	6.4	12.0	1.6	PA-6/66	Glass 0.3	Natural	DIN 125
14N.070.0140.1AD	M 7	7.4	14.0	1.6	PA-6/66	Glass 0.3	Natural	DIN 125
14N.080.0160.1AD	M 8	8.4	16.0	1.6	PA-6/66	Glass 0.3	Natural	DIN 125
14N.100.0200.1AD	M10	10.5	20.0	2.0	PA-6/66	Glass 0.3	Natural	DIN 125
14N.120.0240.1AD	M12	13.0	24.0	2.5	PA-6/66	Glass 0.3	Natural	DIN 125
14N.140.0280.1AD	M14	15.0	28.0	2.5	PA-6/66	Glass 0.3	Natural	DIN 125
14N.160.0300.1AD	M16	17.0	30.0	3.0	PA-6/66	Glass 0.3	Natural	DIN 125
14N.180.0340.1AD	M18	19.0	34.0	3.0	PA-6/66	Glass 0.3	Natural	DIN 125
14N.200.0370.1AD	M20	21.0	37.0	3.0	PA-6/66	Glass 0.3	Natural	DIN 125
14N.220.0390.1AD	M22	23.0	39.0	3.0	PA-6/66	Glass 0.3	Natural	DIN 125
14N.240.0440.1AD	M24	25.0	44.0	4.0	PA-6/66	Glass 0.3	Natural	DIN 125
14N.260.0500.1AD	M26	27.0	50.0	4.0	PA-6/66	Glass 0.3	Natural	DIN 125
14N.270.0500.1AD	M27	28.0	50.0	4.0	PA-6/66	Glass 0.3	Natural	DIN 125
14N.280.0500.1AD	M28	29.0	50.0	4.0	PA-6/66	Glass 0.3	Natural	DIN 125
14N.300.0560.1AD	M30	31.0	56.0	4.0	PA-6/66	Glass 0.3	Natural	DIN 125
14N.320.0600.1AD	M32	33.0	60.0	5.0	PA-6/66	Glass 0.3	Natural	DIN 125
14N.330.0600.1AD	M33	34.0	60.0	5.0	PA-6/66	Glass 0.3	Natural	DIN 125
14N.350.0660.1AD	M35	36.0	66.0	5.0	PA-6/66	Glass 0.3	Natural	DIN 125
14N.360.0660.1AD	M36	37.0	66.0	5.0	PA-6/66	Glass 0.3	Natural	DIN 125
14N.380.0720.1AD	M38	39.0	72.0	6.0	PA-6/66	Glass 0.3	Natural	DIN 125
14N.390.0720.1AD	M39	40.0	72.0	6.0	PA-6/66	Glass 0.3	Natural	DIN 125
14N.400.0720.1AD	M40	41.0	72.0	6.0	PA-6/66	Glass 0.3	Natural	DIN 125