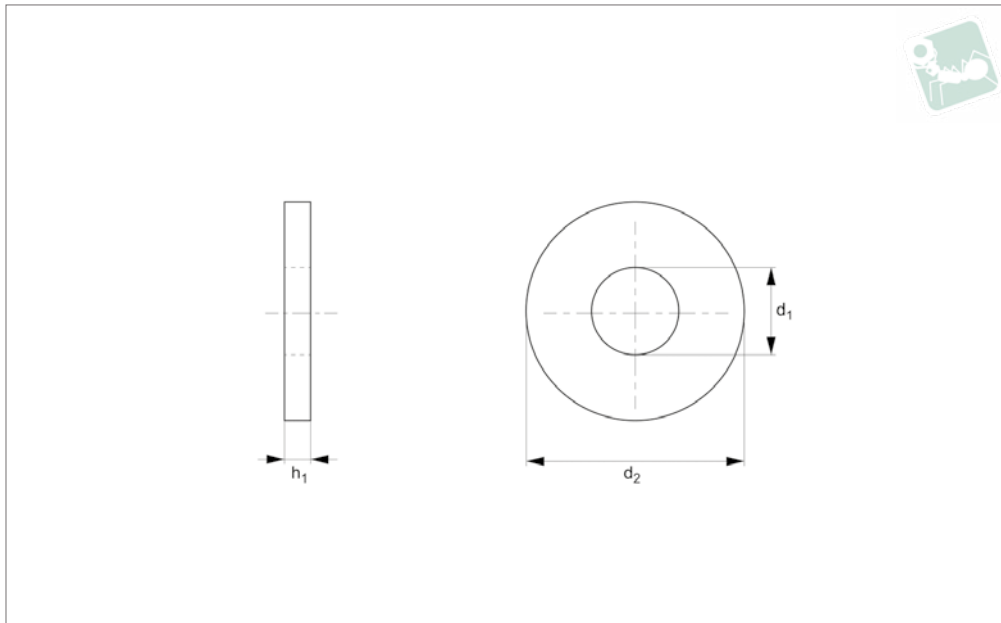




# Plain Washer

Plain

Nylon



**N0400.04N.3**

NYLON

**Material**  
Nylon.

**Technical Notes**  
Nylon plain washer

Order No.	d <sub>1</sub>	d <sub>2</sub>	h	Material	Grade	Finish
04N.080.0103.A	8.07	10.31	1.93	PA-6/66	Std.	Natural
04N.080.0111.A	8.08	11.18	0.79	PA-6/66	Std.	Natural
04N.080.0119.A	8.00	11.98	0.99	PA-6/66	Std.	Natural
04N.080.0127.A1	8.05	12.70	0.81	PA-6/66	Std.	Natural
04N.080.0127.A2	8.05	12.70	0.81	PA-6/66	Std.	Natural
04N.080.0127.A3	8.05	12.70	1.58	PA-6/66	Std.	Natural
04N.080.0127.A4	8.05	12.70	2.33	PA-6/66	Std.	Natural
04N.080.0127.A5	8.05	12.70	2.36	PA-6/66	Std.	Natural
04N.080.0127.A6	8.05	12.70	3.18	PA-6/66	Std.	Natural
04N.080.0127.B	8.05	12.70	0.81	PA-6/66	Std.	Black
04N.080.0134.A	8.00	13.49	0.79	PA-6/66	Std.	Natural
04N.080.0142.A	8.00	14.22	1.57	PA-6/66	Std.	Natural
04N.080.0143.A1	8.02	14.30	0.88	PA-6/66	Std.	Natural
04N.080.0143.A2	8.05	14.35	2.41	PA-6/66	Std.	Natural
04N.080.0158.A	8.00	15.88	0.79	PA-6/66	Std.	Natural
04N.080.0158.B	8.00	15.88	0.79	PA-6/66	Std.	Black
04N.080.0172.A	8.08	17.27	4.75	PA-6/66	Std.	Natural
04N.080.0174.A	8.08	17.48	4.83	PA-6/66	Std.	Natural
04N.080.0190.A1	8.00	19.05	5.08	PA-6/66	Std.	Natural
04N.080.0190.A2	8.05	19.05	1.02	PA-6/66	Std.	Natural
04N.080.0190.A3	8.05	19.05	1.57	PA-6/66	Std.	Natural
04N.080.0190.A4	8.07	19.07	3.17	PA-6/66	Std.	Natural
04N.080.0190.B	8.05	19.05	1.57	PA-6/66	Std.	Black
04N.080.0191.A	8.08	19.18	2.54	PA-6/66	Std.	Natural
04N.080.0221.A	8.00	22.15	1.57	PA-6/66	Std.	Natural
04N.080.0221.B	8.00	22.15	1.57	PA-6/66	Std.	Black
04N.080.0226.A1	8.00	22.61	5.46	PA-6/66	Std.	Natural
04N.080.0226.A2	8.05	22.61	6.22	PA-6/66	Std.	Natural
04N.080.0284.A	8.03	28.47	0.87	PA-6/66	Std.	Natural
04N.080.0509.A	8.00	50.98	5.00	PA-6/66	Std.	Natural
04N.081.0094.A	8.13	9.40	2.36	PA-6/66	Std.	Natural
04N.081.0126.A	8.15	12.62	1.52	PA-6/66	Std.	Natural
04N.081.0127.A1	8.13	12.70	4.32	PA-6/66	Std.	Natural
04N.081.0127.A2	8.13	12.70	5.08	PA-6/66	Std.	Natural
04N.081.0127.A3	8.13	12.70	6.35	PA-6/66	Std.	Natural



Order No.	d <sub>1</sub>	d <sub>2</sub>	h	Material	Grade	Finish
04N.081.0127.A4	8.13	12.70	7.14	PA-6/66	Std.	Natural
04N.081.0142.A1	8.13	14.22	4.75	PA-6/66	Std.	Natural
04N.081.0142.A2	8.13	14.27	0.51	PA-6/66	Std.	Natural
04N.081.0142.A3	8.13	14.27	3.18	PA-6/66	Std.	Natural
04N.081.0142.B	8.13	14.22	4.75	PA-6/66	Std.	Black
04N.081.0158.A1	8.12	15.87	3.17	PA-6/66	Std.	Natural
04N.081.0158.A2	8.15	15.88	3.18	PA-6/66	Std.	Natural
04N.081.0158.B	8.15	15.88	3.18	PA-6/66	Std.	Black
04N.081.0190.A	8.13	19.05	6.35	PA-6/66	Std.	Natural
04N.081.0254.A	8.13	25.40	9.53	PA-6/66	Std.	Natural
04N.081.0285.A	8.13	28.58	1.57	PA-6/66	Std.	Natural
04N.082.0111.A	8.25	11.17	1.52	PA-6/66	Std.	Natural
04N.082.0169.A	8.20	16.99	0.99	PA-6/66	Std.	Natural
04N.082.0190.A	8.20	19.05	3.18	PA-6/66	Std.	Natural
04N.082.0190.B	8.20	19.05	3.18	PA-6/66	Std.	Black
04N.082.0254.A	8.28	25.40	3.18	PA-6/66	Std.	Natural
04N.082.0303.A	8.25	30.35	2.03	PA-6/66	Std.	Natural
04N.083.0099.A	8.33	9.91	2.01	PA-6/66	Std.	Natural
04N.083.0118.A	8.38	11.81	0.79	PA-6/66	Std.	Natural
04N.083.0142.A	8.33	14.27	2.41	PA-6/66	Std.	Natural
04N.083.0142.B	8.33	14.27	2.41	PA-6/66	Std.	Black
04N.083.0149.A	8.33	14.99	3.73	PA-6/66	Std.	Natural
04N.083.0158.A	8.38	15.88	1.63	PA-6/66	Std.	Natural
04N.083.0160.A	8.31	16.00	1.80	PA-6/66	Std.	Natural
04N.083.0190.A1	8.33	19.05	0.81	PA-6/66	Std.	Natural
04N.083.0190.A2	8.38	19.05	1.57	PA-6/66	Std.	Natural
04N.083.0223.A	8.31	22.35	1.52	PA-6/66	Std.	Natural
04N.083.0349.A	8.32	34.93	3.18	PA-6/66	Std.	Natural
04N.084.0130.A	8.45	13.03	2.00	PA-6/66	Std.	Natural
04N.084.0239.A	8.41	23.98	2.49	PA-6/66	Std.	Natural
04N.084.0254.A	8.46	25.40	9.78	PA-6/66	Std.	Natural
04N.085.0173.A	8.56	17.35	1.60	PA-6/66	Std.	Natural
04N.085.0180.A	8.53	18.01	2.01	PA-6/66	Std.	Natural
04N.085.0180.B	8.53	18.01	2.01	PA-6/66	Std.	Black
04N.085.0190.A	8.51	19.05	6.35	PA-6/66	Std.	Natural
04N.085.0251.A	8.56	25.15	7.42	PA-6/66	Std.	Natural
04N.085.0381.A	8.51	38.10	3.18	PA-6/66	Std.	Natural
04N.086.0156.A	8.64	15.62	3.18	PA-6/66	Std.	Natural
04N.086.0188.A	8.64	18.80	1.57	PA-6/66	Std.	Natural
04N.086.0219.A	8.64	21.97	4.75	PA-6/66	Std.	Natural
04N.086.0254.A	8.61	25.40	3.91	PA-6/66	Std.	Natural
04N.086.0320.A	8.64	32.00	6.35	PA-6/66	Std.	Natural
04N.087.0111.A	8.74	11.10	1.57	PA-6/66	Std.	Natural
04N.087.0127.A	8.71	12.70	2.77	PA-6/66	Std.	Natural
04N.087.0174.A1	8.71	17.45	0.79	PA-6/66	Std.	Natural
04N.087.0174.A2	8.79	17.45	1.63	PA-6/66	Std.	Natural
04N.087.0224.A	8.71	22.48	1.57	PA-6/66	Std.	Natural
04N.087.0248.A	8.71	24.89	1.65	PA-6/66	Std.	Natural
04N.088.0114.A	8.86	11.48	1.91	PA-6/66	Std.	Natural
04N.088.0119.A	8.89	11.99	2.79	PA-6/66	Std.	Natural
04N.088.0157.A	8.89	15.75	4.78	PA-6/66	Std.	Natural
04N.089.0190.A	8.94	19.05	0.79	PA-6/66	Std.	Natural
04N.090.0160.A	9.02	16.00	1.02	PA-6/66	Std.	Natural
04N.090.0240.A	9.00	24.00	4.00	PA-6/66	Std.	Natural
04N.091.0186.A	9.14	18.67	4.06	PA-6/66	Std.	Natural
04N.091.0186.B	9.14	18.67	4.06	PA-6/66	Std.	Black
04N.091.0249.A	9.14	24.97	3.05	PA-6/66	Std.	Natural
04N.092.0141.A	9.22	14.10	1.57	PA-6/66	Std.	Natural
04N.092.0313.A	9.27	31.37	2.79	PA-6/66	Std.	Natural
04N.092.0313.B	9.27	31.37	2.79	PA-6/66	Std.	Black
04N.094.0131.A	9.40	13.16	0.97	PA-6/66	Std.	Natural
04N.094.0142.A	9.47	14.22	0.79	PA-6/66	Std.	Natural
04N.094.0317.A	9.40	31.75	6.35	PA-6/66	Std.	Natural
04N.095.0115.A	9.52	11.51	1.57	PA-6/66	Std.	Natural
04N.095.0124.A	9.53	12.45	2.21	PA-6/66	Std.	Natural
04N.095.0127.A1	9.53	12.70	0.81	PA-6/66	Std.	Natural
04N.095.0127.A2	9.53	12.70	2.21	PA-6/66	Std.	Natural
04N.095.0128.A	9.53	12.83	1.27	PA-6/66	Std.	Natural
04N.095.0134.A	9.53	13.46	2.36	PA-6/66	Std.	Natural



# Plain Washer

## Plain

# Nylon

Order No.	d <sub>1</sub>	d <sub>2</sub>	h	Material	Grade	Finish
04N.095.0150.A	9.50	15.01	3.00	PA-6/66	Std.	Natural
04N.095.0158.A	9.53	15.88	0.81	PA-6/66	Std.	Natural
04N.095.0158.B	9.53	15.88	0.81	PA-6/66	Std.	Black
04N.095.0190.A1	9.53	19.05	1.57	PA-6/66	Std.	Natural
04N.095.0190.A2	9.53	19.05	3.18	PA-6/66	Std.	Natural
04N.095.0190.A3	9.53	19.05	6.35	PA-6/66	Std.	Natural
04N.095.0209.A	9.53	20.96	2.54	PA-6/66	Std.	Natural
04N.095.0222.A	9.58	22.23	1.57	PA-6/66	Std.	Natural
04N.095.0228.A	9.53	22.86	1.40	PA-6/66	Std.	Natural
04N.095.0254.A1	9.52	25.40	3.17	PA-6/66	Std.	Natural
04N.095.0254.A2	9.53	25.40	1.57	PA-6/66	Std.	Natural
04N.095.0254.A3	9.53	25.40	7.49	PA-6/66	Std.	Natural
04N.095.0254.A4	9.53	25.40	7.92	PA-6/66	Std.	Natural
04N.095.0297.A	9.58	29.72	3.18	PA-6/66	Std.	Natural
04N.095.0381.A	9.53	38.10	9.53	PA-6/66	Std.	Natural
04N.095.0952.A	9.53	95.25	1.57	PA-6/66	Std.	Natural
04N.096.0140.A	9.60	14.00	1.60	PA-6/66	Std.	Natural
04N.096.0144.A	9.65	14.47	0.76	PA-6/66	Std.	Natural
04N.096.0156.A	9.65	15.62	3.10	PA-6/66	Std.	Natural
04N.096.0158.A1	9.65	15.87	1.27	PA-6/66	Std.	Natural
04N.096.0158.A2	9.65	15.88	1.58	PA-6/66	Std.	Natural
04N.096.0158.A3	9.65	15.88	2.36	PA-6/66	Std.	Natural
04N.096.0158.A4	9.65	15.88	3.18	PA-6/66	Std.	Natural
04N.096.0190.A	9.65	19.05	4.75	PA-6/66	Std.	Natural
04N.096.0222.A	9.65	22.23	2.36	PA-6/66	Std.	Natural
04N.096.0236.A	9.68	23.67	0.79	PA-6/66	Std.	Natural
04N.096.0238.A	9.65	23.81	1.57	PA-6/66	Std.	Natural
04N.096.0317.A	9.66	31.75	3.18	PA-6/66	Std.	Natural
04N.097.0127.A	9.78	12.70	4.06	PA-6/66	Std.	Natural
04N.097.0137.A	9.70	13.72	2.44	PA-6/66	Std.	Natural
04N.097.0158.A	9.78	15.88	4.70	PA-6/66	Std.	Natural
04N.097.0187.A	9.70	18.75	4.06	PA-6/66	Std.	Natural
04N.097.0190.A1	9.70	19.05	1.68	PA-6/66	Std.	Natural
04N.097.0190.A2	9.78	19.05	0.63	PA-6/66	Std.	Natural
04N.097.0190.A3	9.78	19.05	1.14	PA-6/66	Std.	Natural
04N.097.0190.A4	9.78	19.05	5.08	PA-6/66	Std.	Natural
04N.097.0224.A	9.78	22.48	1.57	PA-6/66	Std.	Natural
04N.097.0228.A	9.78	22.86	3.18	PA-6/66	Std.	Natural
04N.098.0137.A	9.86	13.77	5.59	PA-6/66	Std.	Natural
04N.098.0139.A	9.80	13.97	1.52	PA-6/66	Std.	Natural
04N.098.0176.A	9.85	17.65	1.50	PA-6/66	Std.	Natural
04N.098.0191.A	9.88	19.15	1.91	PA-6/66	Std.	Natural
04N.098.0206.A	9.80	20.62	4.75	PA-6/66	Std.	Natural
04N.099.0158.A	9.91	15.88	6.73	PA-6/66	Std.	Natural
04N.099.0172.A	9.91	17.27	3.18	PA-6/66	Std.	Natural
04N.099.0174.A	9.91	17.48	0.79	PA-6/66	Std.	Natural
04N.099.0182.A	9.91	18.29	7.62	PA-6/66	Std.	Natural
04N.099.0190.A1	9.91	19.05	1.27	PA-6/66	Std.	Natural
04N.099.0190.A2	9.91	19.05	1.57	PA-6/66	Std.	Natural
04N.099.0190.A3	9.91	19.05	3.56	PA-6/66	Std.	Natural
04N.099.0222.A	9.91	22.23	2.36	PA-6/66	Std.	Natural
04N.099.0223.A	9.91	22.35	1.57	PA-6/66	Std.	Natural
04N.099.0224.A	9.91	22.48	2.39	PA-6/66	Std.	Natural
04N.099.0254.A1	9.91	25.40	2.38	PA-6/66	Std.	Natural
04N.099.0254.A2	9.91	25.40	4.45	PA-6/66	Std.	Natural
04N.099.0254.A3	9.91	25.40	6.35	PA-6/66	Std.	Natural
04N.099.0254.A4	9.93	25.40	3.81	PA-6/66	Std.	Natural
04N.099.0284.A	9.91	28.45	3.18	PA-6/66	Std.	Natural
04N.099.0317.A	9.90	31.75	2.08	PA-6/66	Std.	Natural
04N.099.0321.A1	9.90	32.13	3.96	PA-6/66	Std.	Natural
04N.099.0321.A2	9.91	32.18	1.14	PA-6/66	Std.	Natural
04N.099.0381.A	9.91	38.10	1.52	PA-6/66	Std.	Natural
04N.099.0508.A	9.91	50.80	1.57	PA-6/66	Std.	Natural
04N.100.0146.A	10.03	14.68	1.57	PA-6/66	Std.	Natural
04N.100.0151.A	10.03	15.19	4.45	PA-6/66	Std.	Natural
04N.100.0160.A	10.00	16.00	2.00	PA-6/66	Std.	Natural
04N.100.0190.A	10.03	19.00	2.36	PA-6/66	Std.	Natural
04N.100.0191.A	10.01	19.15	6.48	PA-6/66	Std.	Natural
04N.100.0192.A	10.01	19.23	3.18	PA-6/66	Std.	Natural

NYLON



Order No.	d <sub>1</sub>	d <sub>2</sub>	h	Material	Grade	Finish
04N.100.0199.A	10.01	19.94	2.03	PA-6/66	Std.	Natural
04N.100.0218.A	10.08	21.84	4.19	PA-6/66	Std.	Natural
04N.101.0190.A	10.16	19.00	2.26	PA-6/66	Std.	Natural
04N.101.0226.A	10.16	22.60	1.60	PA-6/66	Std.	Natural
04N.101.0323.A	10.16	32.36	1.57	PA-6/66	Std.	Natural
04N.102.0130.A	10.29	13.00	1.37	PA-6/66	Std.	Natural
04N.102.0137.A1	10.26	13.77	2.46	PA-6/66	Std.	Natural
04N.102.0137.A2	10.26	13.77	2.79	PA-6/66	Std.	Natural
04N.102.0137.A3	10.29	13.72	2.03	PA-6/66	Std.	Natural
04N.102.0137.A4	10.29	13.72	2.84	PA-6/66	Std.	Natural
04N.102.0190.A	10.24	19.00	1.50	PA-6/66	Std.	Natural
04N.102.0205.A	10.21	20.50	1.65	PA-6/66	Std.	Natural
04N.102.0345.A	10.28	34.56	2.08	PA-6/66	Std.	Natural
04N.103.0130.A	10.31	13.00	2.26	PA-6/66	Std.	Natural
04N.103.0156.A	10.31	15.62	1.07	PA-6/66	Std.	Natural
04N.103.0158.A	10.31	15.88	3.05	PA-6/66	Std.	Natural
04N.103.0190.A1	10.31	19.05	0.81	PA-6/66	Std.	Natural
04N.103.0190.A2	10.31	19.05	1.52	PA-6/66	Std.	Natural
04N.103.0190.A3	10.31	19.05	5.08	PA-6/66	Std.	Natural
04N.103.0199.A	10.39	19.98	5.99	PA-6/66	Std.	Natural
04N.103.0222.A	10.36	22.23	1.52	PA-6/66	Std.	Natural
04N.103.0249.A	10.31	24.99	3.18	PA-6/66	Std.	Natural
04N.103.0254.A	10.31	25.40	1.57	PA-6/66	Std.	Natural
04N.103.0255.A	10.31	25.53	2.03	PA-6/66	Std.	Natural
04N.103.0268.A	10.31	26.80	6.35	PA-6/66	Std.	Natural
04N.104.0158.A	10.41	15.88	0.83	PA-6/66	Std.	Natural
04N.104.0158.B	10.41	15.88	0.83	PA-6/66	Std.	Black
04N.104.0199.A	10.49	19.98	2.00	PA-6/66	Std.	Natural
04N.104.0219.A	10.49	21.97	2.49	PA-6/66	Std.	Natural
04N.104.0256.A	10.41	25.65	2.54	PA-6/66	Std.	Natural
04N.104.0300.A	10.49	30.00	2.49	PA-6/66	Std.	Natural
04N.105.0141.A	10.54	14.10	1.52	PA-6/66	Std.	Natural
04N.105.0252.A	10.57	25.27	1.52	PA-6/66	Std.	Natural
04N.106.0174.A1	10.69	17.45	0.79	PA-6/66	Std.	Natural
04N.106.0174.A2	10.69	17.45	1.57	PA-6/66	Std.	Natural
04N.106.0174.B	10.69	17.45	0.79	PA-6/66	Std.	Black
04N.106.0204.A	10.62	20.45	1.57	PA-6/66	Std.	Natural
04N.107.0152.A	10.74	15.24	0.81	PA-6/66	Std.	Natural
04N.107.0158.A	10.72	15.88	5.16	PA-6/66	Std.	Natural
04N.109.0166.A	10.99	16.66	2.15	PA-6/66	Std.	Natural