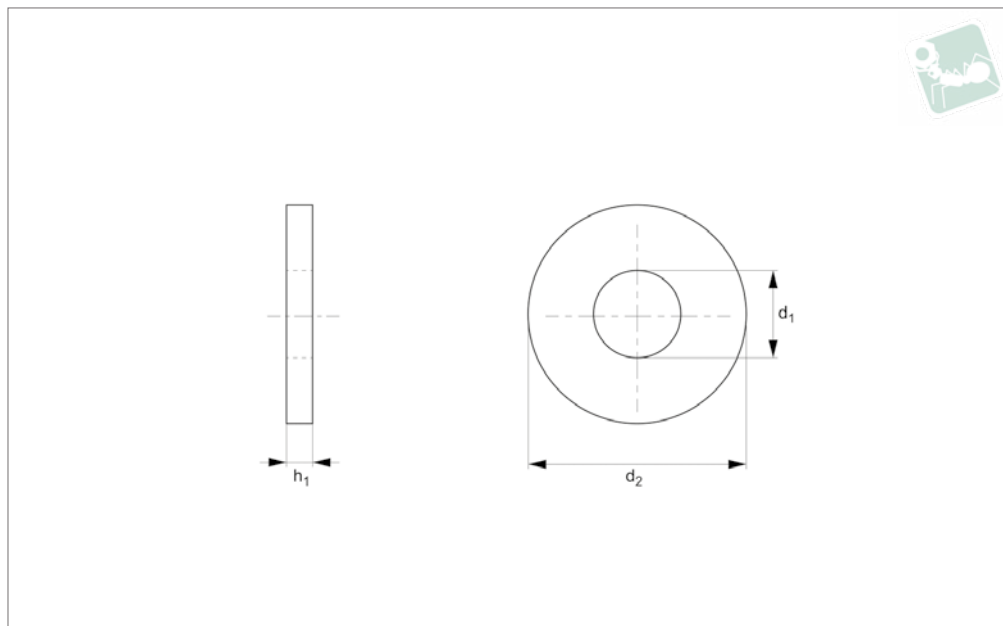




# Plain Washer - I/D Ø 5-8mm

Plain

Nylon



**N0400.04N.2**

NYLON

**Material**  
Nylon.

**Technical Notes**  
Nylon plain washer

Order No.	d <sub>1</sub>	d <sub>2</sub>	h	Material	Grade	Finish
04N.050.0064.A	5.02	6.47	2.31	PA-6/66	Std.	Natural
04N.050.0071.A	5.08	7.11	2.36	PA-6/66	Std.	Natural
04N.050.0089.A	5.00	8.97	3.99	PA-6/66	Std.	Natural
04N.050.0095.A	5.00	9.52	1.27	PA-6/66	Std.	Natural
04N.050.0096.A	5.08	9.65	0.76	PA-6/66	Std.	Natural
04N.050.0099.A	5.08	9.91	0.79	PA-6/66	Std.	Natural
04N.050.0101.A	5.08	10.16	2.36	PA-6/66	Std.	Natural
04N.050.0111.A1	5.08	11.10	1.57	PA-6/66	Std.	Natural
04N.050.0111.A2	5.08	11.10	2.92	PA-6/66	Std.	Natural
04N.050.0111.A3	5.08	11.18	2.29	PA-6/66	Std.	Natural
04N.050.0114.A1	5.08	11.43	0.76	PA-6/66	Std.	Natural
04N.050.0114.A2	5.08	11.43	1.22	PA-6/66	Std.	Natural
04N.051.0110.A	5.13	11.05	4.75	PA-6/66	Std.	Natural
04N.051.0116.A	5.18	11.68	0.79	PA-6/66	Std.	Natural
04N.051.0143.A	5.16	14.35	1.57	PA-6/66	Std.	Natural
04N.051.0190.A	5.16	19.00	5.08	PA-6/66	Std.	Natural
04N.051.0253.A	5.11	25.30	5.08	PA-6/66	Std.	Natural
04N.051.0381.A	5.16	38.10	1.73	PA-6/66	Std.	Natural
04N.052.0068.A	5.26	6.86	1.27	PA-6/66	Std.	Natural
04N.052.0071.A	5.28	7.18	1.82	PA-6/66	Std.	Natural
04N.052.0127.A	5.21	12.70	3.18	PA-6/66	Std.	Natural
04N.053.0071.A	5.33	7.11	3.18	PA-6/66	Std.	Natural
04N.053.0078.A	5.33	7.80	3.18	PA-6/66	Std.	Natural
04N.053.0095.A1	5.33	9.52	3.86	PA-6/66	Std.	Natural
04N.053.0095.A2	5.33	9.52	4.06	PA-6/66	Std.	Natural
04N.053.0110.A	5.31	11.05	0.99	PA-6/66	Std.	Natural
04N.053.0119.A	5.31	11.99	2.74	PA-6/66	Std.	Natural
04N.053.0125.A	5.31	12.50	0.51	PA-6/66	Std.	Natural
04N.053.0125.B	5.31	12.50	0.51	PA-6/66	Std.	Black
04N.053.0157.A	5.31	15.75	4.57	PA-6/66	Std.	Natural
04N.053.0180.A	5.30	18.00	0.99	PA-6/66	Std.	Natural
04N.054.0079.A1	5.43	7.92	3.04	PA-6/66	Std.	Natural
04N.054.0079.A2	5.48	7.92	2.03	PA-6/66	Std.	Natural
04N.054.0079.A3	5.48	7.95	1.24	PA-6/66	Std.	Natural
04N.054.0088.A	5.48	8.86	2.31	PA-6/66	Std.	Natural



Order No.	d <sub>1</sub>	d <sub>2</sub>	h	Material	Grade	Finish
04N.054.0164.A	5.48	16.43	0.78	PA-6/66	Std.	Natural
04N.054.0188.A	5.46	18.80	2.41	PA-6/66	Std.	Natural
04N.054.0254.A	5.46	25.40	1.57	PA-6/66	Std.	Natural
04N.055.0074.A	5.59	7.49	3.23	PA-6/66	Std.	Natural
04N.055.0079.A	5.51	7.95	3.18	PA-6/66	Std.	Natural
04N.055.0087.A	5.54	8.76	0.81	PA-6/66	Std.	Natural
04N.055.0095.A1	5.54	9.52	0.81	PA-6/66	Std.	Natural
04N.055.0095.A2	5.59	9.50	1.57	PA-6/66	Std.	Natural
04N.055.0095.B	5.54	9.52	0.81	PA-6/66	Std.	Black
04N.055.0103.A	5.56	10.31	5.99	PA-6/66	Std.	Natural
04N.055.0111.A1	5.54	11.13	3.96	PA-6/66	Std.	Natural
04N.055.0111.A2	5.59	11.11	12.70	PA-6/66	Std.	Natural
04N.055.0111.A3	5.59	11.11	15.87	PA-6/66	Std.	Natural
04N.055.0111.A4	5.59	11.11	7.94	PA-6/66	Std.	Natural
04N.055.0127.A1	5.54	12.70	3.90	PA-6/66	Std.	Natural
04N.055.0127.A2	5.56	12.70	1.60	PA-6/66	Std.	Natural
04N.055.0127.A3	5.56	12.70	2.36	PA-6/66	Std.	Natural
04N.055.0158.A1	5.54	15.88	0.79	PA-6/66	Std.	Natural
04N.055.0158.A2	5.54	15.88	1.57	PA-6/66	Std.	Natural
04N.055.0158.A3	5.54	15.88	12.70	PA-6/66	Std.	Natural
04N.055.0158.A4	5.54	15.88	3.18	PA-6/66	Std.	Natural
04N.055.0158.A5	5.54	15.88	6.35	PA-6/66	Std.	Natural
04N.055.0170.A	5.51	17.02	1.27	PA-6/66	Std.	Natural
04N.055.0187.A	5.59	18.75	4.06	PA-6/66	Std.	Natural
04N.055.0188.A	5.59	18.80	3.05	PA-6/66	Std.	Natural
04N.055.0190.A	5.54	19.05	4.75	PA-6/66	Std.	Natural
04N.056.0088.A	5.64	8.84	2.06	PA-6/66	Std.	Natural
04N.056.0092.A	5.63	9.29	2.79	PA-6/66	Std.	Natural
04N.056.0095.A	5.61	9.58	2.41	PA-6/66	Std.	Natural
04N.057.0079.A	5.79	7.92	6.35	PA-6/66	Std.	Natural
04N.057.0092.A	5.76	9.27	1.70	PA-6/66	Std.	Natural
04N.057.0095.A1	5.71	9.52	2.26	PA-6/66	Std.	Natural
04N.057.0095.A2	5.77	9.52	1.65	PA-6/66	Std.	Natural
04N.057.0107.A	5.72	10.74	1.40	PA-6/66	Std.	Natural
04N.057.0114.A	5.72	11.43	1.22	PA-6/66	Std.	Natural
04N.057.0127.A	5.72	12.70	0.81	PA-6/66	Std.	Natural
04N.057.0317.A	5.74	31.75	3.18	PA-6/66	Std.	Natural
04N.057.0319.A	5.74	31.95	1.65	PA-6/66	Std.	Natural
04N.058.0105.A	5.82	10.54	2.59	PA-6/66	Std.	Natural
04N.058.0246.A	5.84	24.64	3.18	PA-6/66	Std.	Natural
04N.059.0103.A	5.94	10.31	1.57	PA-6/66	Std.	Natural
04N.059.0107.A	5.97	10.79	3.30	PA-6/66	Std.	Natural
04N.059.0400.A	5.99	40.01	3.02	PA-6/66	Std.	Natural
04N.060.0087.A	6.07	8.73	3.18	PA-6/66	Std.	Natural
04N.061.0088.A	6.10	8.89	1.02	PA-6/66	Std.	Natural
04N.061.0095.A	6.15	9.52	1.57	PA-6/66	Std.	Natural
04N.061.0110.A	6.12	11.05	2.39	PA-6/66	Std.	Natural
04N.061.0118.A	6.12	11.88	6.35	PA-6/66	Std.	Natural
04N.061.0180.A	6.10	18.00	3.00	PA-6/66	Std.	Natural
04N.062.0110.A	6.20	11.00	1.37	PA-6/66	Std.	Natural
04N.062.0175.A	6.20	17.50	5.99	PA-6/66	Std.	Natural
04N.062.0229.A	6.20	22.91	2.01	PA-6/66	Std.	Natural
04N.063.0095.A1	6.35	9.52	2.36	PA-6/66	Std.	Natural
04N.063.0095.A2	6.35	9.52	3.81	PA-6/66	Std.	Natural
04N.063.0098.A	6.37	9.88	3.17	PA-6/66	Std.	Natural
04N.063.0110.A	6.35	11.05	2.39	PA-6/66	Std.	Natural
04N.063.0111.A	6.35	11.18	0.38	PA-6/66	Std.	Natural
04N.063.0127.A	6.35	12.70	3.81	PA-6/66	Std.	Natural
04N.063.0142.A	6.35	14.27	0.79	PA-6/66	Std.	Natural
04N.063.0158.A1	6.35	15.88	1.57	PA-6/66	Std.	Natural
04N.063.0158.A2	6.35	15.88	4.83	PA-6/66	Std.	Natural
04N.063.0170.A	6.35	17.01	2.48	PA-6/66	Std.	Natural
04N.063.0182.A	6.35	18.26	1.57	PA-6/66	Std.	Natural
04N.063.0182.B	6.35	18.26	1.57	PA-6/66	Std.	Black
04N.063.0317.A1	6.35	31.75	1.57	PA-6/66	Std.	Natural
04N.063.0317.A2	6.35	31.75	6.48	PA-6/66	Std.	Natural
04N.063.0349.A1	6.35	34.93	19.05	PA-6/66	Std.	Natural
04N.063.0349.A2	6.35	34.93	7.63	PA-6/66	Std.	Natural
04N.063.0354.A	6.35	35.43	3.00	PA-6/66	Std.	Natural



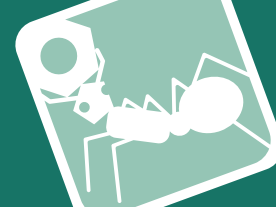
# Plain Washer - I/D Ø 5-8mm

Plain

Nylon

Order No.	d <sub>1</sub>	d <sub>2</sub>	h	Material	Grade	Finish
04N.064.0084.A	6.48	8.43	3.61	PA-6/66	Std.	Natural
04N.064.0085.A	6.47	8.50	3.81	PA-6/66	Std.	Natural
04N.064.0087.A	6.40	8.76	3.17	PA-6/66	Std.	Natural
04N.064.0095.A1	6.43	9.52	2.13	PA-6/66	Std.	Natural
04N.064.0095.A2	6.48	9.52	2.36	PA-6/66	Std.	Natural
04N.064.0097.A	6.48	9.70	4.95	PA-6/66	Std.	Natural
04N.064.0112.A	6.43	11.25	3.18	PA-6/66	Std.	Natural
04N.064.0112.B	6.43	11.25	3.18	PA-6/66	Std.	Black
04N.064.0119.A1	6.40	11.99	0.81	PA-6/66	Std.	Natural
04N.064.0119.A2	6.40	11.99	1.50	PA-6/66	Std.	Natural
04N.064.0123.A	6.40	12.34	1.75	PA-6/66	Std.	Natural
04N.064.0127.A	6.48	12.70	1.91	PA-6/66	Std.	Natural
04N.064.0141.A	6.48	14.10	1.19	PA-6/66	Std.	Natural
04N.064.0141.B	6.48	14.10	1.19	PA-6/66	Std.	Black
04N.064.0143.A	6.45	14.35	2.39	PA-6/66	Std.	Natural
04N.064.0144.A	6.43	14.43	2.36	PA-6/66	Std.	Natural
04N.064.0158.A	6.40	15.80	1.52	PA-6/66	Std.	Natural
04N.064.0228.A	6.48	22.86	3.18	PA-6/66	Std.	Natural
04N.064.0254.A	6.45	25.40	8.26	PA-6/66	Std.	Natural
04N.065.0101.A	6.50	10.16	5.28	PA-6/66	Std.	Natural
04N.065.0127.A1	6.53	12.70	0.81	PA-6/66	Std.	Natural
04N.065.0127.A2	6.53	12.70	1.58	PA-6/66	Std.	Natural
04N.065.0127.A3	6.53	12.70	2.36	PA-6/66	Std.	Natural
04N.065.0127.A4	6.53	12.70	3.18	PA-6/66	Std.	Natural
04N.065.0127.B1	6.53	12.70	0.81	PA-6/66	Std.	Black
04N.065.0127.B2	6.53	12.70	1.58	PA-6/66	Std.	Black
04N.065.0127.B3	6.53	12.70	2.36	PA-6/66	Std.	Black
04N.065.0127.B4	6.53	12.70	3.18	PA-6/66	Std.	Black
04N.065.0142.A	6.50	14.27	6.35	PA-6/66	Std.	Natural
04N.065.0150.A	6.50	15.01	2.21	PA-6/66	Std.	Natural
04N.065.0158.A1	6.52	15.87	2.54	PA-6/66	Std.	Natural
04N.065.0158.A2	6.53	15.88	0.51	PA-6/66	Std.	Natural
04N.065.0190.A1	6.53	19.05	0.76	PA-6/66	Std.	Natural
04N.065.0190.A2	6.53	19.05	1.57	PA-6/66	Std.	Natural
04N.065.0190.A3	6.53	19.05	2.77	PA-6/66	Std.	Natural
04N.065.0222.A1	6.53	22.23	0.79	PA-6/66	Std.	Natural
04N.065.0222.A2	6.53	22.23	1.57	PA-6/66	Std.	Natural
04N.065.0222.B	6.53	22.23	0.79	PA-6/66	Std.	Black
04N.065.0317.A	6.53	31.75	6.48	PA-6/66	Std.	Natural
04N.066.0079.A1	6.60	7.92	1.78	PA-6/66	Std.	Natural
04N.066.0079.A2	6.60	7.92	2.77	PA-6/66	Std.	Natural
04N.066.0079.A3	6.65	7.92	3.23	PA-6/66	Std.	Natural
04N.066.0088.A	6.60	8.89	1.57	PA-6/66	Std.	Natural
04N.066.0110.A	6.65	11.00	3.20	PA-6/66	Std.	Natural
04N.066.0111.A	6.60	11.10	1.19	PA-6/66	Std.	Natural
04N.066.0124.A	6.60	12.45	6.22	PA-6/66	Std.	Natural
04N.066.0127.A	6.65	12.70	3.81	PA-6/66	Std.	Natural
04N.066.0142.A1	6.60	14.22	3.18	PA-6/66	Std.	Natural
04N.066.0142.A2	6.60	14.27	1.57	PA-6/66	Std.	Natural
04N.066.0142.A3	6.60	14.27	2.87	PA-6/66	Std.	Natural
04N.066.0142.B1	6.60	14.22	3.18	PA-6/66	Std.	Black
04N.066.0142.B2	6.60	14.27	1.57	PA-6/66	Std.	Black
04N.066.0156.A	6.60	15.62	2.54	PA-6/66	Std.	Natural
04N.066.0158.A1	6.60	15.87	0.78	PA-6/66	Std.	Natural
04N.066.0158.A2	6.60	15.87	1.52	PA-6/66	Std.	Natural
04N.066.0158.A3	6.60	15.88	3.56	PA-6/66	Std.	Natural
04N.066.0158.A4	6.60	15.88	4.57	PA-6/66	Std.	Natural
04N.066.0174.A1	6.60	17.40	0.81	PA-6/66	Std.	Natural
04N.066.0174.A2	6.60	17.45	0.51	PA-6/66	Std.	Natural
04N.066.0174.A3	6.60	17.45	1.02	PA-6/66	Std.	Natural
04N.066.0174.A4	6.60	17.45	1.27	PA-6/66	Std.	Natural
04N.066.0174.A5	6.60	17.45	1.52	PA-6/66	Std.	Natural
04N.066.0174.A6	6.60	17.45	3.18	PA-6/66	Std.	Natural
04N.066.0189.A1	6.60	18.92	1.68	PA-6/66	Std.	Natural
04N.066.0189.A2	6.60	18.92	3.18	PA-6/66	Std.	Natural
04N.066.0189.B	6.60	18.92	3.18	PA-6/66	Std.	Black
04N.066.0190.A	6.63	19.05	2.41	PA-6/66	Std.	Natural
04N.066.0190.B	6.63	19.05	2.41	PA-6/66	Std.	Black
04N.066.0317.A	6.60	31.75	1.52	PA-6/66	Std.	Natural

NYLON



Order No.	d <sub>1</sub>	d <sub>2</sub>	h	Material	Grade	Finish
04N.067.0102.A	6.73	10.29	3.18	PA-6/66	Std.	Natural
04N.067.0103.A	6.76	10.31	2.03	PA-6/66	Std.	Natural
04N.067.0134.A	6.73	13.49	1.57	PA-6/66	Std.	Natural
04N.067.0142.A1	6.73	14.22	0.76	PA-6/66	Std.	Natural
04N.067.0142.A2	6.73	14.27	4.75	PA-6/66	Std.	Natural
04N.067.0150.A	6.73	15.01	2.56	PA-6/66	Std.	Natural
04N.067.0157.A	6.73	15.75	4.89	PA-6/66	Std.	Natural
04N.067.0157.B	6.73	15.75	4.89	PA-6/66	Std.	Black
04N.067.0158.A	6.73	15.88	2.36	PA-6/66	Std.	Natural
04N.067.0185.A	6.76	18.57	3.00	PA-6/66	Std.	Natural
04N.067.0190.A	6.76	19.05	3.94	PA-6/66	Std.	Natural
04N.067.0222.A	6.73	22.23	2.36	PA-6/66	Std.	Natural
04N.067.0222.B	6.73	22.23	2.36	PA-6/66	Std.	Black
04N.067.0254.A1	6.71	25.40	1.78	PA-6/66	Std.	Natural
04N.067.0254.A2	6.73	25.40	6.65	PA-6/66	Std.	Natural
04N.067.0254.A3	6.74	25.40	7.94	PA-6/66	Std.	Natural
04N.067.0381.A	6.73	38.10	9.53	PA-6/66	Std.	Natural
04N.068.0157.A	6.86	15.70	5.59	PA-6/66	Std.	Natural
04N.068.0317.A	6.86	31.75	2.03	PA-6/66	Std.	Natural
04N.069.0105.A	6.91	10.57	3.05	PA-6/66	Std.	Natural
04N.069.0110.A	6.99	11.00	1.91	PA-6/66	Std.	Natural
04N.069.0136.A	6.91	13.67	1.19	PA-6/66	Std.	Natural
04N.069.0190.A	6.96	19.05	6.35	PA-6/66	Std.	Natural
04N.069.0546.A	6.99	54.61	3.18	PA-6/66	Std.	Natural
04N.070.0110.A	7.01	11.00	1.37	PA-6/66	Std.	Natural
04N.070.0120.A	7.01	12.01	1.37	PA-6/66	Std.	Natural
04N.070.0199.A1	7.01	19.98	5.00	PA-6/66	Std.	Natural
04N.070.0199.A2	7.08	19.98	3.50	PA-6/66	Std.	Natural
04N.071.0085.A	7.11	8.51	4.95	PA-6/66	Std.	Natural
04N.071.0115.A	7.11	11.51	0.76	PA-6/66	Std.	Natural
04N.071.0124.A	7.14	12.45	0.76	PA-6/66	Std.	Natural
04N.071.0158.A1	7.14	15.87	5.33	PA-6/66	Std.	Natural
04N.071.0158.A2	7.14	15.88	2.79	PA-6/66	Std.	Natural
04N.071.0160.A	7.11	16.00	0.76	PA-6/66	Std.	Natural
04N.071.0162.A	7.19	16.20	1.96	PA-6/66	Std.	Natural
04N.071.0174.A	7.11	17.45	0.79	PA-6/66	Std.	Natural
04N.071.0182.A	7.14	18.26	1.57	PA-6/66	Std.	Natural
04N.071.0191.A	7.16	19.13	3.12	PA-6/66	Std.	Natural
04N.071.0317.A	7.14	31.75	1.60	PA-6/66	Std.	Natural
04N.072.0125.A	7.29	12.50	5.00	PA-6/66	Std.	Natural
04N.072.0158.A	7.21	15.88	1.57	PA-6/66	Std.	Natural
04N.073.0103.A	7.39	10.31	5.16	PA-6/66	Std.	Natural
04N.073.0106.A	7.39	10.69	2.29	PA-6/66	Std.	Natural
04N.073.0113.A	7.37	11.30	0.84	PA-6/66	Std.	Natural
04N.073.0142.A	7.37	14.22	1.57	PA-6/66	Std.	Natural
04N.074.0158.A	7.42	15.88	1.02	PA-6/66	Std.	Natural
04N.074.0174.A	7.49	17.40	1.57	PA-6/66	Std.	Natural
04N.075.0110.A	7.52	11.07	3.96	PA-6/66	Std.	Natural
04N.075.0146.A	7.59	14.61	0.99	PA-6/66	Std.	Natural
04N.075.0190.A	7.52	19.05	0.81	PA-6/66	Std.	Natural
04N.075.0254.A	7.54	25.40	1.60	PA-6/66	Std.	Natural
04N.076.0158.A	7.64	15.87	0.99	PA-6/66	Std.	Natural
04N.076.0190.A	7.62	19.05	3.17	PA-6/66	Std.	Natural
04N.076.0248.A	7.65	24.80	3.18	PA-6/66	Std.	Natural
04N.078.0112.A	7.87	11.23	4.32	PA-6/66	Std.	Natural
04N.078.0125.A	7.87	12.57	2.41	PA-6/66	Std.	Natural
04N.078.0146.A	7.80	14.68	3.18	PA-6/66	Std.	Natural
04N.078.0190.A1	7.87	19.05	4.32	PA-6/66	Std.	Natural
04N.078.0190.A2	7.87	19.05	9.53	PA-6/66	Std.	Natural
04N.078.0298.A	7.87	29.85	3.18	PA-6/66	Std.	Natural
04N.078.0317.A	7.87	31.75	3.05	PA-6/66	Std.	Natural
04N.079.0095.A	7.92	9.52	3.17	PA-6/66	Std.	Natural
04N.079.0127.A1	7.92	12.70	2.44	PA-6/66	Std.	Natural
04N.079.0127.A2	7.92	12.70	3.18	PA-6/66	Std.	Natural
04N.079.0127.A3	7.92	12.70	3.96	PA-6/66	Std.	Natural
04N.079.0127.B	7.92	12.70	3.18	PA-6/66	Std.	Black
04N.079.0142.A	7.92	14.27	0.79	PA-6/66	Std.	Natural
04N.079.0158.A	7.92	15.88	6.35	PA-6/66	Std.	Natural
04N.079.0180.A1	7.92	18.08	2.06	PA-6/66	Std.	Natural



# Plain Washer - I/D Ø 5-8mm

Plain

Nylon

Order No.	d <sub>1</sub>	d <sub>2</sub>	h	Material	Grade	Finish
04N.079.0180.A2	7.95	18.03	1.27	PA-6/66	Std.	Natural
04N.079.0190.A	7.95	19.05	1.25	PA-6/66	Std.	Natural
04N.079.0206.A1	7.92	20.62	1.57	PA-6/66	Std.	Natural
04N.079.0206.A2	7.92	20.62	3.18	PA-6/66	Std.	Natural
04N.079.0217.A	7.92	21.72	3.18	PA-6/66	Std.	Natural
04N.079.0222.A1	7.92	22.23	3.18	PA-6/66	Std.	Natural
04N.079.0222.A2	7.92	22.23	4.75	PA-6/66	Std.	Natural
04N.079.0254.A1	7.92	25.40	0.81	PA-6/66	Std.	Natural
04N.079.0254.A2	7.94	25.40	4.76	PA-6/66	Std.	Natural
04N.079.0381.A	7.94	38.10	1.59	PA-6/66	Std.	Natural

NYLON