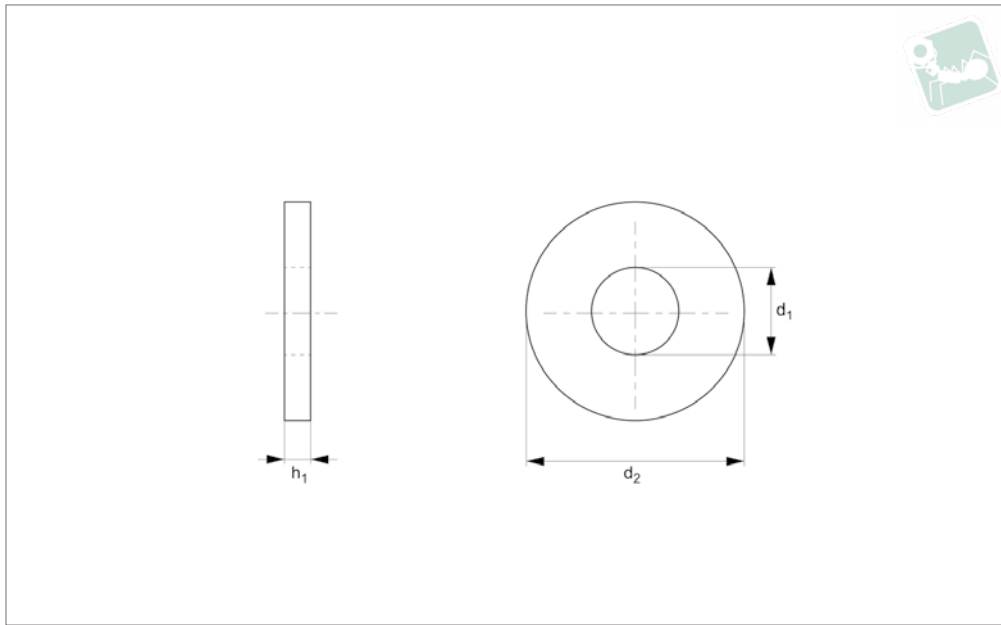




# Plain Washer - I/D Ø 0-5mm

Plain

Nylon



**N0400.04N.1**

NYLON

**Material**  
Nylon.

**Technical Notes**  
Nylon plain washer

Order No.	d <sub>1</sub>	d <sub>2</sub>	h	Material	Grade	Finish
04N.007.0022.A	0.79	2.29	0.79	PA-6/66	Std.	Natural
04N.007.0039.A	0.79	3.96	1.57	PA-6/66	Std.	Natural
04N.008.0021.A	0.81	2.16	1.57	PA-6/66	Std.	Natural
04N.008.0025.A	0.89	2.54	0.51	PA-6/66	Std.	Natural
04N.008.0031.A	0.81	3.18	1.57	PA-6/66	Std.	Natural
04N.009.0043.A	0.97	4.32	1.52	PA-6/66	Std.	Natural
04N.010.0035.A	1.02	3.51	0.84	PA-6/66	Std.	Natural
04N.011.0030.A	1.14	3.05	3.30	PA-6/66	Std.	Natural
04N.011.0031.A	1.19	3.17	3.17	PA-6/66	Std.	Natural
04N.012.0039.A	1.27	3.96	5.08	PA-6/66	Std.	Natural
04N.013.0047.A	1.30	4.70	3.35	PA-6/66	Std.	Natural
04N.014.0030.A	1.40	3.05	2.03	PA-6/66	Std.	Natural
04N.015.0030.A	1.57	3.04	2.00	PA-6/66	Std.	Natural
04N.015.0031.A1	1.50	3.18	3.18	PA-6/66	Std.	Natural
04N.015.0031.A2	1.57	3.18	2.03	PA-6/66	Std.	Natural
04N.015.0079.A	1.57	7.92	3.18	PA-6/66	Std.	Natural
04N.016.0030.A	1.60	3.05	4.57	PA-6/66	Std.	Natural
04N.016.0031.A	1.62	3.17	7.92	PA-6/66	Std.	Natural
04N.016.0032.A	1.65	3.23	1.02	PA-6/66	Std.	Natural
04N.016.0045.A	1.65	4.55	1.98	PA-6/66	Std.	Natural
04N.016.0079.A	1.60	7.92	2.29	PA-6/66	Std.	Natural
04N.017.0031.A1	1.77	3.17	1.57	PA-6/66	Std.	Natural
04N.017.0031.A2	1.78	3.18	2.29	PA-6/66	Std.	Natural
04N.017.0050.A	1.70	5.00	3.91	PA-6/66	Std.	Natural
04N.018.0036.A	1.80	3.68	1.70	PA-6/66	Std.	Natural
04N.019.0039.A	1.93	3.96	1.57	PA-6/66	Std.	Natural
04N.020.0063.A	2.06	6.35	0.63	PA-6/66	Std.	Natural
04N.020.0065.A	2.06	6.58	1.57	PA-6/66	Std.	Natural
04N.020.0176.A	2.08	17.65	4.67	PA-6/66	Std.	Natural
04N.021.0037.A	2.16	3.76	1.57	PA-6/66	Std.	Natural
04N.021.0039.A	2.16	3.96	5.08	PA-6/66	Std.	Natural
04N.021.0041.A	2.15	4.19	1.42	PA-6/66	Std.	Natural
04N.021.0047.A	2.18	4.75	3.30	PA-6/66	Std.	Natural
04N.021.0049.A	2.16	4.98	0.79	PA-6/66	Std.	Natural
04N.022.0030.A	2.29	3.05	4.57	PA-6/66	Std.	Natural



Order No.	d <sub>1</sub>	d <sub>2</sub>	h	Material	Grade	Finish
04N.022.0047.A1	2.26	4.78	3.58	PA-6/66	Std.	Natural
04N.022.0047.A2	2.29	4.75	4.45	PA-6/66	Std.	Natural
04N.022.0063.A1	2.29	6.35	0.81	PA-6/66	Std.	Natural
04N.022.0063.A2	2.29	6.35	1.40	PA-6/66	Std.	Natural
04N.022.0063.A3	2.29	6.35	1.58	PA-6/66	Std.	Natural
04N.022.0063.A4	2.29	6.35	2.39	PA-6/66	Std.	Natural
04N.022.0063.A5	2.29	6.35	3.18	PA-6/66	Std.	Natural
04N.022.0094.A	2.29	9.45	1.98	PA-6/66	Std.	Natural
04N.023.0031.A	2.31	3.17	3.18	PA-6/66	Std.	Natural
04N.023.0038.A	2.38	3.81	0.88	PA-6/66	Std.	Natural
04N.023.0039.A	2.31	3.96	6.35	PA-6/66	Std.	Natural
04N.023.0047.A1	2.31	4.75	2.03	PA-6/66	Std.	Natural
04N.023.0047.A2	2.36	4.74	1.98	PA-6/66	Std.	Natural
04N.023.0048.A	2.39	4.83	0.51	PA-6/66	Std.	Natural
04N.023.0055.A	2.39	5.56	2.54	PA-6/66	Std.	Natural
04N.023.0063.A	2.31	6.35	4.19	PA-6/66	Std.	Natural
04N.023.0095.A	2.39	9.52	7.14	PA-6/66	Std.	Natural
04N.023.0119.A	2.36	11.94	6.36	PA-6/66	Std.	Natural
04N.023.0254.A	2.36	25.40	3.18	PA-6/66	Std.	Natural
04N.024.0045.A	2.49	4.52	1.14	PA-6/66	Std.	Natural
04N.024.0047.A	2.49	4.72	1.02	PA-6/66	Std.	Natural
04N.024.0047.B	2.49	4.72	1.02	PA-6/66	Std.	Black
04N.024.0079.A	2.41	7.92	1.57	PA-6/66	Std.	Natural
04N.025.0039.A	2.59	3.99	2.49	PA-6/66	Std.	Natural
04N.025.0050.A	2.54	5.00	3.96	PA-6/66	Std.	Natural
04N.025.0059.A	2.59	5.99	2.49	PA-6/66	Std.	Natural
04N.025.0080.A	2.54	8.03	0.84	PA-6/66	Std.	Natural
04N.025.0127.A	2.57	12.72	1.02	PA-6/66	Std.	Natural
04N.025.0317.A	2.54	31.75	1.52	PA-6/66	Std.	Natural
04N.026.0042.A	2.69	4.24	0.99	PA-6/66	Std.	Natural
04N.026.0055.A	2.64	5.59	0.79	PA-6/66	Std.	Natural
04N.027.0040.A	2.79	4.01	1.79	PA-6/66	Std.	Natural
04N.027.0043.A	2.79	4.32	0.51	PA-6/66	Std.	Natural
04N.027.0049.A	2.79	4.95	1.44	PA-6/66	Std.	Natural
04N.027.0071.A	2.71	7.14	0.51	PA-6/66	Std.	Natural
04N.027.0079.A1	2.79	7.92	3.18	PA-6/66	Std.	Natural
04N.027.0079.A2	2.79	7.98	1.57	PA-6/66	Std.	Natural
04N.028.0044.A	2.84	4.49	2.99	PA-6/66	Std.	Natural
04N.028.0052.A	2.84	5.23	1.35	PA-6/66	Std.	Natural
04N.028.0061.A	2.87	6.10	1.02	PA-6/66	Std.	Natural
04N.029.0047.A1	2.92	4.75	4.19	PA-6/66	Std.	Natural
04N.029.0047.A2	2.92	4.78	1.02	PA-6/66	Std.	Natural
04N.029.0047.A3	2.95	4.75	2.77	PA-6/66	Std.	Natural
04N.029.0050.A1	2.92	5.00	0.76	PA-6/66	Std.	Natural
04N.029.0050.A2	2.95	5.05	1.27	PA-6/66	Std.	Natural
04N.029.0063.A1	2.92	6.35	0.81	PA-6/66	Std.	Natural
04N.029.0063.A2	2.92	6.35	1.58	PA-6/66	Std.	Natural
04N.029.0063.A3	2.92	6.35	1.65	PA-6/66	Std.	Natural
04N.029.0063.A4	2.92	6.35	2.36	PA-6/66	Std.	Natural
04N.029.0063.A5	2.92	6.35	3.18	PA-6/66	Std.	Natural
04N.029.0073.A	2.92	7.38	1.19	PA-6/66	Std.	Natural
04N.029.0079.A	2.92	7.92	3.56	PA-6/66	Std.	Natural
04N.029.0095.A	2.92	9.53	4.75	PA-6/66	Std.	Natural
04N.030.0046.A	3.05	4.62	3.17	PA-6/66	Std.	Natural
04N.030.0047.A1	3.05	4.75	0.81	PA-6/66	Std.	Natural
04N.030.0047.A2	3.05	4.75	1.52	PA-6/66	Std.	Natural
04N.030.0047.A3	3.05	4.75	1.57	PA-6/66	Std.	Natural
04N.030.0047.A4	3.05	4.75	3.96	PA-6/66	Std.	Natural
04N.030.0048.A	3.05	4.83	2.54	PA-6/66	Std.	Natural
04N.030.0055.A	3.05	5.54	0.94	PA-6/66	Std.	Natural
04N.030.0063.A	3.05	6.35	3.56	PA-6/66	Std.	Natural
04N.030.0069.A	3.05	6.99	1.57	PA-6/66	Std.	Natural
04N.030.0071.A1	3.05	7.11	0.76	PA-6/66	Std.	Natural
04N.030.0071.A2	3.05	7.11	3.68	PA-6/66	Std.	Natural
04N.030.0071.A3	3.05	7.14	0.51	PA-6/66	Std.	Natural
04N.030.0071.A4	3.05	7.14	1.02	PA-6/66	Std.	Natural
04N.030.0071.A5	3.05	7.14	1.52	PA-6/66	Std.	Natural
04N.030.0073.A	3.05	7.32	1.02	PA-6/66	Std.	Natural
04N.030.0135.A	3.05	13.51	1.60	PA-6/66	Std.	Natural



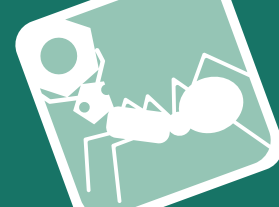
# Plain Washer - I/D Ø 0-5mm

Plain

Nylon

Order No.	d <sub>1</sub>	d <sub>2</sub>	h	Material	Grade	Finish
04N.031.0047.A	3.18	4.75	1.27	PA-6/66	Std.	Natural
04N.031.0050.A	3.18	5.05	1.14	PA-6/66	Std.	Natural
04N.031.0055.A	3.10	5.59	3.25	PA-6/66	Std.	Natural
04N.031.0057.A1	3.10	5.79	2.36	PA-6/66	Std.	Natural
04N.031.0057.A2	3.18	5.72	2.54	PA-6/66	Std.	Natural
04N.031.0059.A	3.18	5.97	1.02	PA-6/66	Std.	Natural
04N.031.0063.A1	3.18	6.35	1.57	PA-6/66	Std.	Natural
04N.031.0063.A2	3.18	6.35	2.41	PA-6/66	Std.	Natural
04N.031.0063.A3	3.18	6.35	3.81	PA-6/66	Std.	Natural
04N.031.0079.A	3.18	7.92	0.81	PA-6/66	Std.	Natural
04N.031.0080.A	3.18	8.00	0.79	PA-6/66	Std.	Natural
04N.031.0095.A1	3.18	9.52	1.02	PA-6/66	Std.	Natural
04N.031.0095.A2	3.18	9.52	1.83	PA-6/66	Std.	Natural
04N.031.0099.A	3.18	9.91	1.60	PA-6/66	Std.	Natural
04N.031.0127.A	3.18	12.70	3.18	PA-6/66	Std.	Natural
04N.031.0158.A	3.18	15.88	1.57	PA-6/66	Std.	Natural
04N.030.0080.B	3.2	8.0	0.8	PA-6/66	Std.	Black
04N.032.0059.A1	3.20	5.99	1.57	PA-6/66	Std.	Natural
04N.032.0059.A2	3.20	5.99	2.01	PA-6/66	Std.	Natural
04N.032.0062.A	3.25	6.22	2.36	PA-6/66	Std.	Natural
04N.032.0063.A	3.20	6.35	0.64	PA-6/66	Std.	Natural
04N.032.0081.A	3.25	8.18	1.57	PA-6/66	Std.	Natural
04N.033.0046.A	3.32	4.69	4.34	PA-6/66	Std.	Natural
04N.033.0047.A	3.30	4.75	3.81	PA-6/66	Std.	Natural
04N.033.0072.A	3.30	7.24	1.52	PA-6/66	Std.	Natural
04N.033.0080.A	3.30	8.08	1.57	PA-6/66	Std.	Natural
04N.033.0090.A	3.30	9.02	1.57	PA-6/66	Std.	Natural
04N.033.0095.A	3.30	9.52	0.76	PA-6/66	Std.	Natural
04N.033.0096.A	3.33	9.65	2.36	PA-6/66	Std.	Natural
04N.034.0054.A	3.40	5.48	1.70	PA-6/66	Std.	Natural
04N.034.0074.A	3.43	7.49	3.23	PA-6/66	Std.	Natural
04N.034.0095.A	3.43	9.52	1.57	PA-6/66	Std.	Natural
04N.034.0097.A	3.45	9.75	1.37	PA-6/66	Std.	Natural
04N.034.0124.A	3.45	12.45	1.40	PA-6/66	Std.	Natural
04N.034.0124.B	3.45	12.45	1.40	PA-6/66	Std.	Black
04N.035.0045.A	3.53	4.57	1.63	PA-6/66	Std.	Natural
04N.035.0047.A	3.58	4.75	3.18	PA-6/66	Std.	Natural
04N.035.0059.A	3.58	5.94	2.41	PA-6/66	Std.	Natural
04N.035.0063.A1	3.56	6.35	2.39	PA-6/66	Std.	Natural
04N.035.0063.A2	3.56	6.35	3.81	PA-6/66	Std.	Natural
04N.035.0063.A3	3.58	6.35	1.57	PA-6/66	Std.	Natural
04N.035.0066.A	3.56	6.60	2.03	PA-6/66	Std.	Natural
04N.035.0070.A	3.50	7.01	0.88	PA-6/66	Std.	Natural
04N.035.0071.A	3.56	7.14	0.51	PA-6/66	Std.	Natural
04N.035.0078.A	3.50	7.87	0.76	PA-6/66	Std.	Natural
04N.035.0079.A1	3.56	7.92	0.51	PA-6/66	Std.	Natural
04N.035.0079.A2	3.56	7.92	1.19	PA-6/66	Std.	Natural
04N.035.0079.A3	3.56	7.94	0.81	PA-6/66	Std.	Natural
04N.035.0079.A4	3.56	7.94	1.58	PA-6/66	Std.	Natural
04N.035.0079.A5	3.56	7.94	2.36	PA-6/66	Std.	Natural
04N.035.0079.A6	3.56	7.94	3.18	PA-6/66	Std.	Natural
04N.035.0079.B	3.56	7.94	1.58	PA-6/66	Std.	Black
04N.035.0095.A1	3.56	9.52	2.03	PA-6/66	Std.	Natural
04N.035.0095.A2	3.58	9.52	0.79	PA-6/66	Std.	Natural
04N.035.0101.A	3.56	10.16	1.57	PA-6/66	Std.	Natural
04N.035.0127.A1	3.56	12.70	1.09	PA-6/66	Std.	Natural
04N.035.0127.A2	3.56	12.70	1.57	PA-6/66	Std.	Natural
04N.035.0128.A	3.51	12.83	2.03	PA-6/66	Std.	Natural
04N.035.0142.A	3.58	14.27	1.57	PA-6/66	Std.	Natural
04N.036.0047.A	3.68	4.75	1.27	PA-6/66	Std.	Natural
04N.036.0059.A	3.60	5.99	1.14	PA-6/66	Std.	Natural
04N.036.0063.A1	3.61	6.35	2.79	PA-6/66	Std.	Natural
04N.036.0063.A2	3.63	6.35	2.08	PA-6/66	Std.	Natural
04N.036.0078.A	3.66	7.80	1.50	PA-6/66	Std.	Natural
04N.036.0094.A	3.63	9.40	3.96	PA-6/66	Std.	Natural
04N.036.0127.A	3.66	12.70	3.18	PA-6/66	Std.	Natural
04N.037.0059.A	3.76	5.99	3.00	PA-6/66	Std.	Natural
04N.037.0063.A1	3.73	6.35	3.18	PA-6/66	Std.	Natural
04N.037.0063.A2	3.73	6.35	3.96	PA-6/66	Std.	Natural

NYLON



Order No.	d <sub>1</sub>	d <sub>2</sub>	h	Material	Grade	Finish
04N.037.0125.A	3.73	12.57	7.57	PA-6/66	Std.	Natural
04N.038.0057.A1	3.81	5.72	1.14	PA-6/66	Std.	Natural
04N.038.0057.A2	3.81	5.72	2.29	PA-6/66	Std.	Natural
04N.038.0063.A	3.84	6.38	0.88	PA-6/66	Std.	Natural
04N.038.0071.A	3.81	7.11	2.74	PA-6/66	Std.	Natural
04N.038.0079.A1	3.81	7.92	0.51	PA-6/66	Std.	Natural
04N.038.0079.A2	3.81	7.92	0.76	PA-6/66	Std.	Natural
04N.038.0079.A3	3.81	7.92	1.02	PA-6/66	Std.	Natural
04N.038.0079.A4	3.81	7.92	1.27	PA-6/66	Std.	Natural
04N.038.0079.A5	3.81	7.92	1.52	PA-6/66	Std.	Natural
04N.038.0083.A	3.81	8.36	1.52	PA-6/66	Std.	Natural
04N.038.0095.A1	3.81	9.52	0.76	PA-6/66	Std.	Natural
04N.038.0095.A2	3.89	9.52	1.60	PA-6/66	Std.	Natural
04N.038.0190.A	3.81	19.05	1.40	PA-6/66	Std.	Natural
04N.039.0063.A1	3.94	6.38	1.96	PA-6/66	Std.	Natural
04N.039.0063.A2	3.96	6.35	2.54	PA-6/66	Std.	Natural
04N.039.0063.A3	3.96	6.35	3.81	PA-6/66	Std.	Natural
04N.039.0071.A	3.94	7.11	4.06	PA-6/66	Std.	Natural
04N.039.0079.A	3.96	7.94	3.18	PA-6/66	Std.	Natural
04N.039.0080.A	3.98	8.00	5.00	PA-6/66	Std.	Natural
04N.039.0081.A	3.96	8.13	0.79	PA-6/66	Std.	Natural
04N.039.0111.A1	3.96	11.13	1.57	PA-6/66	Std.	Natural
04N.039.0111.A2	3.96	11.18	0.81	PA-6/66	Std.	Natural
04N.039.0128.A	3.98	12.82	2.59	PA-6/66	Std.	Natural
04N.039.0174.A	3.96	17.45	3.43	PA-6/66	Std.	Natural
04N.039.0254.A	3.96	25.40	1.57	PA-6/66	Std.	Natural
04N.039.0285.A	3.96	28.57	6.35	PA-6/66	Std.	Natural
04N.040.0063.A1	4.07	6.35	1.57	PA-6/66	Std.	Natural
04N.040.0063.A2	4.08	6.35	4.31	PA-6/66	Std.	Natural
04N.040.0064.A	4.09	6.45	5.56	PA-6/66	Std.	Natural
04N.040.0072.A	4.06	7.24	0.81	PA-6/66	Std.	Natural
04N.040.0078.A	4.06	7.87	1.52	PA-6/66	Std.	Natural
04N.040.0095.A	4.01	9.53	0.81	PA-6/66	Std.	Natural
04N.041.0063.A	4.14	6.35	5.13	PA-6/66	Std.	Natural
04N.041.0079.A	4.11	7.92	1.57	PA-6/66	Std.	Natural
04N.041.0080.A	4.19	8.00	6.00	PA-6/66	Std.	Natural
04N.041.0127.A	4.19	12.70	1.91	PA-6/66	Std.	Natural
04N.041.0157.A	4.19	15.75	6.35	PA-6/66	Std.	Natural
04N.041.0160.A	4.19	16.00	3.00	PA-6/66	Std.	Natural
04N.042.0063.A1	4.22	6.35	1.55	PA-6/66	Std.	Natural
04N.042.0063.A2	4.22	6.35	2.08	PA-6/66	Std.	Natural
04N.042.0065.A	4.29	6.52	1.60	PA-6/66	Std.	Natural
04N.042.0075.A	4.29	7.52	1.88	PA-6/66	Std.	Natural
04N.042.0089.A	4.29	8.99	0.79	PA-6/66	Std.	Natural
04N.042.0119.A	4.24	11.99	3.07	PA-6/66	Std.	Natural
04N.043.0063.A1	4.34	6.30	2.54	PA-6/66	Std.	Natural
04N.043.0063.A2	4.34	6.35	1.34	PA-6/66	Std.	Natural
04N.043.0063.A3	4.34	6.35	2.54	PA-6/66	Std.	Natural
04N.043.0063.A4	4.34	6.35	3.73	PA-6/66	Std.	Natural
04N.043.0095.A1	4.32	9.52	1.02	PA-6/66	Std.	Natural
04N.043.0095.A2	4.32	9.52	1.27	PA-6/66	Std.	Natural
04N.043.0095.A3	4.34	9.53	0.81	PA-6/66	Std.	Natural
04N.043.0095.A4	4.34	9.53	1.58	PA-6/66	Std.	Natural
04N.043.0095.A5	4.34	9.53	2.36	PA-6/66	Std.	Natural
04N.043.0095.A6	4.34	9.53	3.18	PA-6/66	Std.	Natural
04N.043.0095.A7	4.37	9.52	1.52	PA-6/66	Std.	Natural
04N.043.0095.A8	4.39	9.52	2.36	PA-6/66	Std.	Natural
04N.043.0095.B1	4.34	9.53	0.81	PA-6/66	Std.	Black
04N.043.0095.B2	4.34	9.53	2.36	PA-6/66	Std.	Black
04N.043.0095.B3	4.34	9.53	3.18	PA-6/66	Std.	Black
04N.043.0111.A	4.34	11.13	0.81	PA-6/66	Std.	Natural
04N.043.0160.A	4.34	16.00	1.52	PA-6/66	Std.	Natural
04N.043.0173.A	4.32	17.32	1.57	PA-6/66	Std.	Natural
04N.043.0173.B	4.32	17.32	1.57	PA-6/66	Std.	Black
04N.044.0071.A	4.44	7.14	0.79	PA-6/66	Std.	Natural
04N.044.0127.A	4.45	12.70	1.57	PA-6/66	Std.	Natural
04N.045.0090.A	4.55	9.04	3.00	PA-6/66	Std.	Natural
04N.045.0103.A	4.50	10.36	1.57	PA-6/66	Std.	Natural
04N.046.0094.A	4.67	9.40	1.19	PA-6/66	Std.	Natural



# Plain Washer - I/D Ø 0-5mm

Plain

Nylon

Order No.	d <sub>1</sub>	d <sub>2</sub>	h	Material	Grade	Finish
04N.046.0116.A	4.62	11.61	0.81	PA-6/66	Std.	Natural
04N.046.0159.A	4.62	15.90	1.14	PA-6/66	Std.	Natural
04N.047.0063.A	4.75	6.35	3.30	PA-6/66	Std.	Natural
04N.047.0065.A	4.75	6.50	1.14	PA-6/66	Std.	Natural
04N.047.0078.A	4.70	7.87	0.81	PA-6/66	Std.	Natural
04N.047.0079.A1	4.75	7.92	1.27	PA-6/66	Std.	Natural
04N.047.0079.A2	4.77	7.92	2.00	PA-6/66	Std.	Natural
04N.047.0079.A3	4.77	7.92	3.04	PA-6/66	Std.	Natural
04N.047.0079.B	4.75	7.92	1.27	PA-6/66	Std.	Black
04N.047.0096.A	4.75	9.65	3.94	PA-6/66	Std.	Natural
04N.047.0111.A	4.75	11.18	2.36	PA-6/66	Std.	Natural
04N.047.0127.A1	4.75	12.70	1.57	PA-6/66	Std.	Natural
04N.047.0127.A2	4.78	12.70	1.57	PA-6/66	Std.	Natural
04N.047.0128.A	4.78	12.83	0.81	PA-6/66	Std.	Natural
04N.047.0158.A	4.75	15.88	1.57	PA-6/66	Std.	Natural
04N.047.0190.A	4.75	19.05	3.96	PA-6/66	Std.	Natural
04N.047.0381.A	4.75	38.10	1.72	PA-6/66	Std.	Natural
04N.047.0508.A	4.74	50.80	1.52	PA-6/66	Std.	Natural
04N.048.0071.A	4.83	7.16	1.65	PA-6/66	Std.	Natural
04N.048.0078.A	4.83	7.87	0.81	PA-6/66	Std.	Natural
04N.048.0079.A1	4.80	7.92	14.32	PA-6/66	Std.	Natural
04N.048.0079.A2	4.88	7.92	2.34	PA-6/66	Std.	Natural
04N.048.0079.A3	4.88	7.92	2.79	PA-6/66	Std.	Natural
04N.048.0083.A	4.80	8.38	2.03	PA-6/66	Std.	Natural
04N.048.0085.A	4.83	8.51	0.81	PA-6/66	Std.	Natural
04N.048.0088.A	4.83	8.89	1.57	PA-6/66	Std.	Natural
04N.048.0094.A1	4.88	9.40	2.03	PA-6/66	Std.	Natural
04N.048.0094.A2	4.88	9.40	3.18	PA-6/66	Std.	Natural
04N.048.0095.A1	4.80	9.52	0.79	PA-6/66	Std.	Natural
04N.048.0095.A2	4.83	9.52	1.65	PA-6/66	Std.	Natural
04N.048.0095.A3	4.88	9.52	2.92	PA-6/66	Std.	Natural
04N.048.0103.A	4.88	10.31	1.57	PA-6/66	Std.	Natural
04N.048.0110.A	4.83	11.02	3.17	PA-6/66	Std.	Natural
04N.048.0190.A	4.85	19.05	2.54	PA-6/66	Std.	Natural
04N.048.0255.A1	4.80	25.52	1.63	PA-6/66	Std.	Natural
04N.048.0255.A2	4.80	25.55	1.02	PA-6/66	Std.	Natural
04N.049.0062.A1	4.95	6.22	1.57	PA-6/66	Std.	Natural
04N.049.0062.A2	4.95	6.22	3.18	PA-6/66	Std.	Natural
04N.049.0073.A1	4.95	7.37	2.16	PA-6/66	Std.	Natural
04N.049.0073.A2	4.97	7.36	0.76	PA-6/66	Std.	Natural
04N.049.0095.A1	4.93	9.53	0.81	PA-6/66	Std.	Natural
04N.049.0095.A2	4.93	9.53	1.58	PA-6/66	Std.	Natural
04N.049.0095.A3	4.93	9.53	2.36	PA-6/66	Std.	Natural
04N.049.0095.A4	4.93	9.53	3.18	PA-6/66	Std.	Natural
04N.049.0096.A1	4.90	9.60	1.93	PA-6/66	Std.	Natural
04N.049.0096.A2	4.95	9.60	2.79	PA-6/66	Std.	Natural
04N.049.0110.A	4.98	11.05	1.17	PA-6/66	Std.	Natural
04N.049.0111.A1	4.95	11.10	0.51	PA-6/66	Std.	Natural
04N.049.0111.A2	4.95	11.10	0.79	PA-6/66	Std.	Natural
04N.049.0111.A3	4.95	11.10	1.02	PA-6/66	Std.	Natural
04N.049.0111.A4	4.95	11.10	1.27	PA-6/66	Std.	Natural
04N.049.0111.A5	4.95	11.10	1.27	PA-6/66	Std.	Natural
04N.049.0129.A	4.90	12.95	1.27	PA-6/66	Std.	Natural
04N.049.0133.A	4.93	13.34	0.81	PA-6/66	Std.	Natural
04N.049.0158.A	4.93	15.88	3.18	PA-6/66	Std.	Natural
04N.049.0190.A	4.90	19.05	1.02	PA-6/66	Std.	Natural
04N.049.0254.A	4.93	25.40	4.06	PA-6/66	Std.	Natural

NYLON