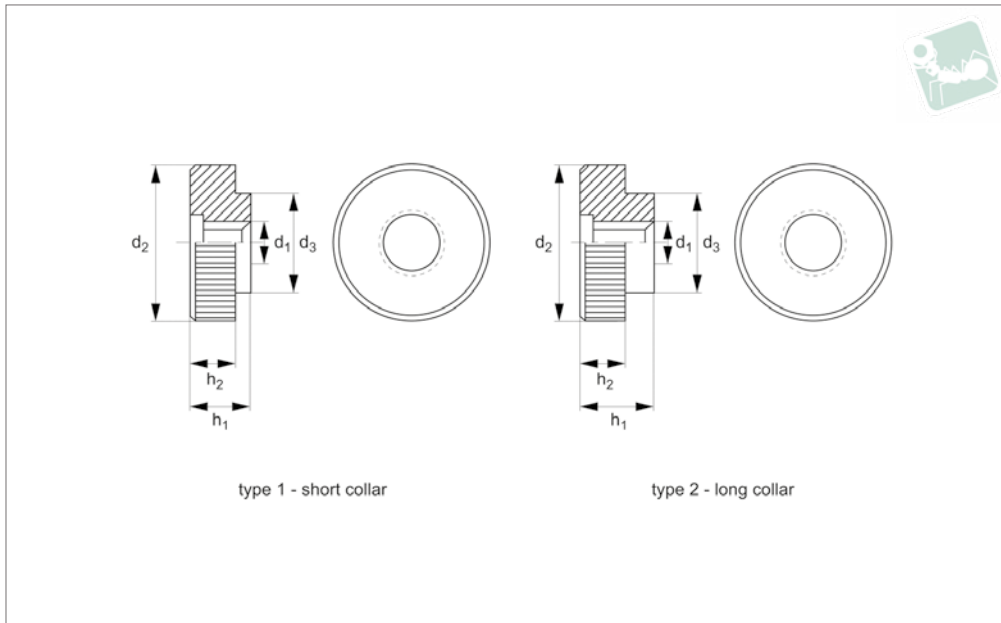




# Knurled Nuts

fine knurl

Nylon



**N0100.10N**

NYLON

### Material

Nylon 66 (PA 6/66), standard.  
White.

tion, is resistant to corrosion and most dilute acids.

Nylon protects work surfaces and absorbs shocks and vibrations.

### Technical Notes

Nylon parts offer good electrical insula-

Order No.	Type	d <sub>1</sub>	d <sub>2</sub>	d <sub>3</sub> max.	h <sub>1</sub> max.	h <sub>2</sub>	Material	Grade	Finish
10N.10312.050.0W	1- short collar	M 3	12.0	8.5	5.0	3.5	PA-6/66	Std	White
10N.10414.050.0W	1- short collar	M 4	14.0	8.5	5.0	3.5	PA-6/66	Std	White
10N.10416.060.0W	1- short collar	M 4	16.0	10.0	6.0	4.5	PA-6/66	Std	White
10N.10420.075.0W	1- short collar	M 4	20.0	10.0	7.5	6.0	PA-6/66	Std	White
10N.10516.060.0W	1- short collar	M 5	16.0	10.0	6.0	4.5	PA-6/66	Std	White
10N.10520.075.0W	1- short collar	M 5	20.0	10.0	7.5	6.0	PA-6/66	Std	White
10N.10616.060.0W	1- short collar	M 6	16.0	10.0	6.0	4.5	PA-6/66	Std	White
10N.10620.075.0W	1- short collar	M 6	20.0	10.0	7.5	6.0	PA-6/66	Std	White
10N.10824.075.0W	1- short collar	M 8	24.0	13.0	7.5	6.0	PA-6/66	Std	White
10N.20312.070.0W	2- long collar	M 3	12.0	7.0	7.0	3.5	PA-6/66	Std	White
10N.20412.070.0W	2- long collar	M 4	12.0	7.0	7.0	3.5	PA-6/66	Std	White
10N.20416.080.0W	2- long collar	M 4	16.0	9.5	8.0	4.5	PA-6/66	Std	White
10N.20514.070.0W	2- long collar	M 5	14.0	8.8	7.0	3.5	PA-6/66	Std	White
10N.20516.080.0W	2- long collar	M 5	16.0	9.5	8.0	4.5	PA-6/66	Std	White
10N.20520.110.0W	2- long collar	M 5	20.0	13.0	11.0	6.0	PA-6/66	Std	White
10N.20616.080.0W	2- long collar	M 6	16.0	9.5	8.0	4.5	PA-6/66	Std	White
10N.20620.110.0W	2- long collar	M 6	20.0	13.0	11.0	6.0	PA-6/66	Std	White