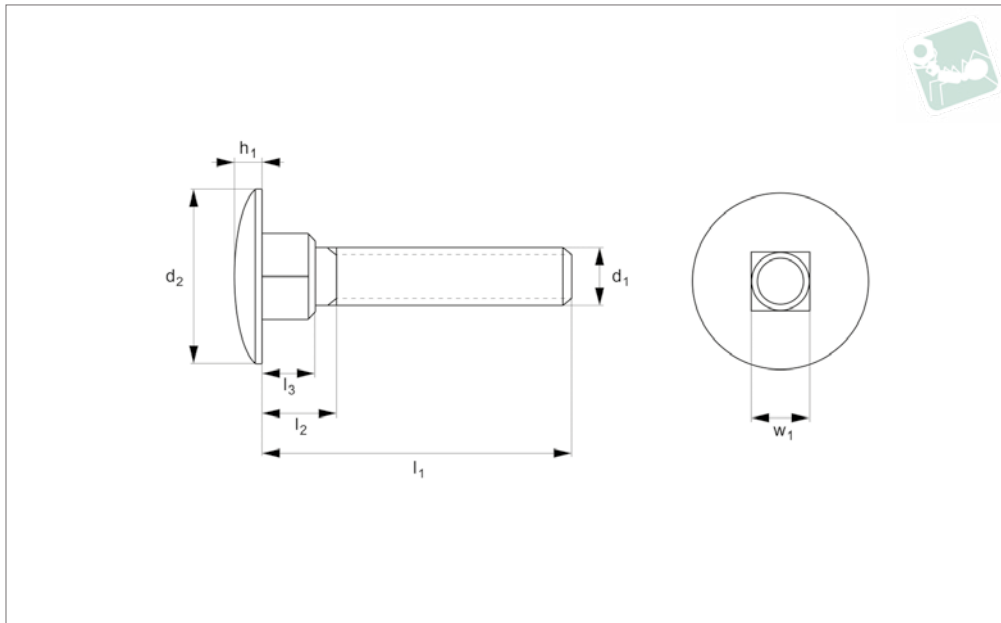




# Carriage Bolts

## DIN 603

Nylon



**N0050.61N**

NYLON

### Material

Nylon 66 (PA 6/66), standard. Natural.

### Technical Notes

DIN norms were created for metal parts, the dimensions of our plastic DIN equivalents are close to the norm but do not

follow the strict tolerances typically relevant to metal parts.

Many Nylon parts are available in dyed black, this subject to a minimum value and process charge, please contact us for further details.

Dyed black colour is not long term UV stable. Nylon parts offer good electrical insulation, is resistant to corrosion and most dilute acids.

Nylon protects work surfaces and absorbs shocks and vibrations.

Order No.	d <sub>1</sub>	l <sub>1</sub>	d <sub>2</sub>	h	l <sub>2</sub>	w	Material	Grade	Finish	To standard
61N.050.0160.0AD	M 5	16	3.5	3.3	13	5	PA-6/66	Std.	Natural	DIN 603
61N.050.0180.0AD	M 5	18	3.5	3.3	13	5	PA-6/66	Std.	Natural	DIN 603
61N.050.0200.0AD	M 5	20	3.5	3.3	13	5	PA-6/66	Std.	Natural	DIN 603
61N.050.0260.0AD	M 5	26	3.5	3.3	13	5	PA-6/66	Std.	Natural	DIN 603
61N.050.0300.0AD	M 5	30	3.5	3.3	13	5	PA-6/66	Std.	Natural	DIN 603
61N.050.0350.0AD	M 5	35	3.5	3.3	13	5	PA-6/66	Std.	Natural	DIN 603
61N.050.0400.0AD	M 5	40	3.5	3.3	13	5	PA-6/66	Std.	Natural	DIN 603
61N.050.0450.0AD	M 5	45	3.5	3.3	13	5	PA-6/66	Std.	Natural	DIN 603
61N.050.0500.0AD	M 5	50	3.5	3.3	13	5	PA-6/66	Std.	Natural	DIN 603
61N.050.0550.0AD	M 5	55	3.5	3.3	13	5	PA-6/66	Std.	Natural	DIN 603
61N.050.0600.0AD	M 5	60	3.5	3.3	13	5	PA-6/66	Std.	Natural	DIN 603
61N.050.0700.0AD	M 5	70	3.5	3.3	13	5	PA-6/66	Std.	Natural	DIN 603
61N.050.0800.0AD	M 5	80	3.5	3.3	13	5	PA-6/66	Std.	Natural	DIN 603
61N.060.0160.0AD	M 6	16	4.0	3.8	16	6	PA-6/66	Std.	Natural	DIN 603
61N.060.0180.0AD	M 6	18	4.0	3.8	16	6	PA-6/66	Std.	Natural	DIN 603
61N.060.0200.0AD	M 6	20	4.0	3.8	16	6	PA-6/66	Std.	Natural	DIN 603
61N.060.0260.0AD	M 6	26	4.0	3.8	16	6	PA-6/66	Std.	Natural	DIN 603
61N.060.0300.0AD	M 6	30	4.0	3.8	16	6	PA-6/66	Std.	Natural	DIN 603
61N.060.0350.0AD	M 6	35	4.0	3.8	16	6	PA-6/66	Std.	Natural	DIN 603
61N.060.0400.0AD	M 6	40	4.0	3.8	16	6	PA-6/66	Std.	Natural	DIN 603
61N.060.0450.0AD	M 6	45	4.0	3.8	16	6	PA-6/66	Std.	Natural	DIN 603
61N.060.0500.0AD	M 6	50	4.0	3.8	16	6	PA-6/66	Std.	Natural	DIN 603
61N.060.0550.0AD	M 6	55	4.0	3.8	16	6	PA-6/66	Std.	Natural	DIN 603
61N.060.0600.0AD	M 6	60	4.0	3.8	16	6	PA-6/66	Std.	Natural	DIN 603
61N.060.0700.0AD	M 6	70	4.0	3.8	16	6	PA-6/66	Std.	Natural	DIN 603
61N.060.0800.0AD	M 6	80	4.0	3.8	16	6	PA-6/66	Std.	Natural	DIN 603
61N.060.0900.0AD	M 6	90	4.0	3.8	16	6	PA-6/66	Std.	Natural	DIN 603
61N.080.0160.0AD	M 8	16	4.5	4.8	20	8	PA-6/66	Std.	Natural	DIN 603
61N.080.0180.0AD	M 8	18	4.5	4.8	20	8	PA-6/66	Std.	Natural	DIN 603
61N.080.0200.0AD	M 8	20	4.5	4.8	20	8	PA-6/66	Std.	Natural	DIN 603
61N.080.0260.0AD	M 8	26	4.5	4.8	20	8	PA-6/66	Std.	Natural	DIN 603
61N.080.0300.0AD	M 8	30	4.5	4.8	20	8	PA-6/66	Std.	Natural	DIN 603



Order No.	d <sub>1</sub>	l <sub>1</sub>	d <sub>2</sub>	h	l <sub>2</sub>	w	Material	Grade	Finish	To standard
61N.080.0350.OAD	M 8	35	4.5	4.8	20	8	PA-6/66	Std.	Natural	DIN 603
61N.080.0400.OAD	M 8	40	4.5	4.8	20	8	PA-6/66	Std.	Natural	DIN 603
61N.080.0450.OAD	M 8	45	4.5	4.8	20	8	PA-6/66	Std.	Natural	DIN 603
61N.080.0500.OAD	M 8	50	4.5	4.8	20	8	PA-6/66	Std.	Natural	DIN 603
61N.080.0550.OAD	M 8	55	4.5	4.8	20	8	PA-6/66	Std.	Natural	DIN 603
61N.080.0600.OAD	M 8	60	4.5	4.8	20	8	PA-6/66	Std.	Natural	DIN 603
61N.080.0700.OAD	M 8	70	4.5	4.8	20	8	PA-6/66	Std.	Natural	DIN 603
61N.080.0800.OAD	M 8	80	4.5	4.8	20	8	PA-6/66	Std.	Natural	DIN 603
61N.080.0900.OAD	M 8	90	4.5	4.8	20	8	PA-6/66	Std.	Natural	DIN 603
61N.100.0160.OAD	M10	16	4.5	5.3	20	8	PA-6/66	Std.	Natural	DIN 603
61N.100.0180.OAD	M10	18	5.0	5.3	24	10	PA-6/66	Std.	Natural	DIN 603
61N.100.0200.OAD	M10	20	5.0	5.3	24	10	PA-6/66	Std.	Natural	DIN 603
61N.100.0260.OAD	M10	26	5.0	5.3	24	10	PA-6/66	Std.	Natural	DIN 603
61N.100.0300.OAD	M10	30	5.0	5.3	24	10	PA-6/66	Std.	Natural	DIN 603
61N.100.0350.OAD	M10	35	5.0	5.3	24	10	PA-6/66	Std.	Natural	DIN 603
61N.100.0400.OAD	M10	40	5.0	5.3	24	10	PA-6/66	Std.	Natural	DIN 603
61N.100.0450.OAD	M10	45	5.0	5.3	24	10	PA-6/66	Std.	Natural	DIN 603
61N.100.0500.OAD	M10	50	5.0	5.3	24	10	PA-6/66	Std.	Natural	DIN 603
61N.100.0550.OAD	M10	55	5.0	5.3	24	10	PA-6/66	Std.	Natural	DIN 603
61N.100.0600.OAD	M10	60	5.0	5.3	24	10	PA-6/66	Std.	Natural	DIN 603
61N.100.0700.OAD	M10	70	5.0	5.3	24	10	PA-6/66	Std.	Natural	DIN 603
61N.100.0800.OAD	M10	80	5.0	5.3	24	10	PA-6/66	Std.	Natural	DIN 603
61N.100.0900.OAD	M10	90	5.0	5.3	24	10	PA-6/66	Std.	Natural	DIN 603
61N.120.0200.OAD	M12	20	7.5	6.9	30	12	PA-6/66	Std.	Natural	DIN 603
61N.120.0260.OAD	M12	26	7.5	6.9	30	12	PA-6/66	Std.	Natural	DIN 603
61N.120.0300.OAD	M12	30	7.5	6.9	30	12	PA-6/66	Std.	Natural	DIN 603
61N.120.0350.OAD	M12	35	7.5	6.9	30	12	PA-6/66	Std.	Natural	DIN 603
61N.120.0400.OAD	M12	40	7.5	6.9	30	12	PA-6/66	Std.	Natural	DIN 603
61N.120.0450.OAD	M12	45	7.5	6.9	30	12	PA-6/66	Std.	Natural	DIN 603
61N.120.0500.OAD	M12	50	7.5	6.9	30	12	PA-6/66	Std.	Natural	DIN 603
61N.120.0550.OAD	M12	55	7.5	6.9	30	12	PA-6/66	Std.	Natural	DIN 603
61N.120.0600.OAD	M12	60	7.5	6.9	30	12	PA-6/66	Std.	Natural	DIN 603
61N.120.0700.OAD	M12	70	7.5	6.9	30	12	PA-6/66	Std.	Natural	DIN 603
61N.120.0800.OAD	M12	80	7.5	6.9	30	12	PA-6/66	Std.	Natural	DIN 603
61N.120.0900.OAD	M12	90	7.5	6.9	30	12	PA-6/66	Std.	Natural	DIN 603