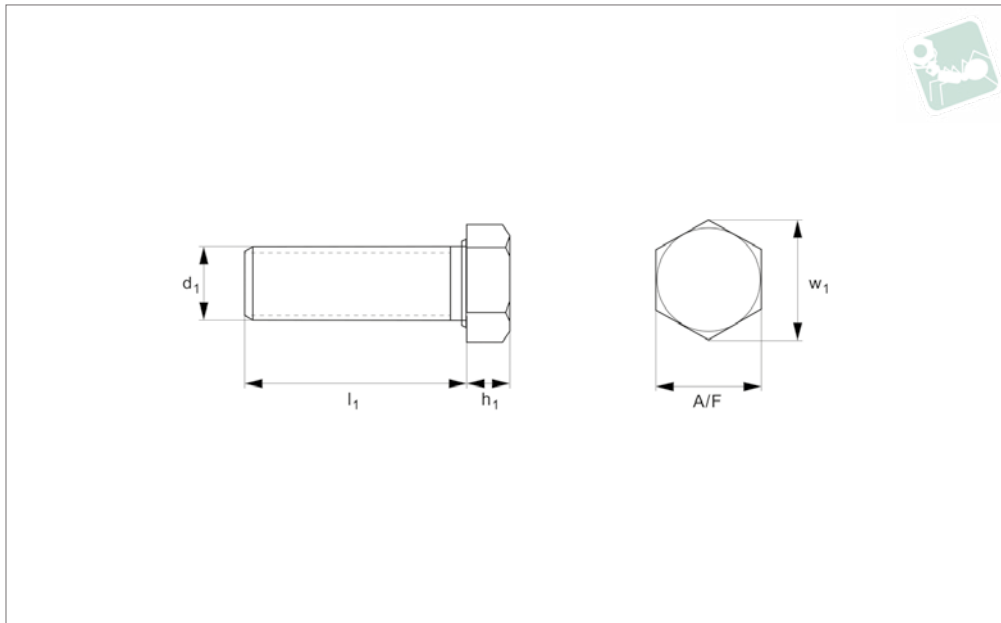




Hexagon Head Set Screws

Hex. Head Set Screws, DIN 933

Nylon



N0010.93N

NYLON

Material
Nylon.

Technical Notes
To DIN 933, ISO 4017.

Order No.	d ₁	l ₁	h ₁	A/F	w ₁	Material	Grade	Finish	To standard
93N.020.0080.A	M 2	8	1.6	4.0	3.38	PA 6/66	Std.	Natural	-
93N.020.0100.A	M 2	10	1.6	4.0	3.38	PA 6/66	Std.	Natural	-
93N.020.0120.A	M 2	12	1.6	4.0	3.38	PA 6/66	Std.	Natural	-
93N.020.0160.A	M 2	16	1.6	4.0	3.38	PA 6/66	Std.	Natural	-
93N.020.0200.A	M 2	20	1.6	4.0	3.38	PA 6/66	Std.	Natural	-
93N.020.0250.A	M 2	25	1.6	4.0	3.38	PA 6/66	Std.	Natural	-
93N.025.0050.A	M2,5	5	2.1	4.5	4.28	PA 6/66	Std.	Natural	-
93N.025.0080.A	M2,5	8	2.1	4.5	4.28	PA 6/66	Std.	Natural	-
93N.025.0120.A	M2,5	12	2.1	4.5	4.28	PA 6/66	Std.	Natural	-
93N.025.0160.A	M2,5	16	2.1	4.5	4.28	PA 6/66	Std.	Natural	-
93N.025.0200.A	M2,5	20	2.1	4.5	4.28	PA 6/66	Std.	Natural	-
93N.025.0250.A	M2,5	25	2.1	4.5	4.28	PA 6/66	Std.	Natural	-
93N.030.0040.A	M 3	4	2.3	5.5	5.40	PA 6/66	Std.	Natural	-
93N.030.0050.A	M 3	5	2.3	5.5	5.40	PA 6/66	Std.	Natural	-
93N.030.0060.A	M 3	6	2.3	5.5	5.40	PA 6/66	Std.	Natural	-
93N.030.0100.	M 3	10	2.3	5.5	5.40	PA 6/66	Std.	Natural	DIN 933
93N.030.0120.A	M 3	12	2.3	5.5	5.40	PA 6/66	Std.	Natural	-
93N.030.0160.A	M 3	16	2.3	5.5	5.40	PA 6/66	Std.	Natural	-
93N.030.0200.A	M 3	20	2.3	5.5	5.40	PA 6/66	Std.	Natural	-
93N.030.0250.A	M 3	25	2.3	5.5	5.40	PA 6/66	Std.	Natural	-
93N.030.0300.A	M 3	30	2.3	5.5	5.40	PA 6/66	Std.	Natural	-
93N.030.0420.A	M 3	42	2.3	5.5	5.40	PA 6/66	Std.	Natural	-
93N.035.0120.A	M3,5	12	2.6	5.5	5.96	PA 6/66	Std.	Natural	-
93N.035.0160.A	M3,5	16	2.6	5.5	5.96	PA 6/66	Std.	Natural	-
93N.035.0200.A	M3,5	20	2.6	5.5	5.96	PA 6/66	Std.	Natural	-
93N.035.0250.A	M3,5	25	2.6	5.5	5.96	PA 6/66	Std.	Natural	-
93N.035.0350.A	M3,5	35	2.6	5.5	5.96	PA 6/66	Std.	Natural	-
93N.035.0420.A	M3,5	42	2.6	5.5	5.96	PA 6/66	Std.	Natural	-
93N.040.0100.A	M 4	10	3.0	7.0	7.59	PA 6/66	Std.	Natural	-
93N.040.0120.A	M 4	12	3.0	7.0	7.59	PA 6/66	Std.	Natural	-
93N.040.0200.A	M 4	20	3.0	7.0	7.59	PA 6/66	Std.	Natural	-
93N.040.0250.A	M 4	25	3.0	7.0	7.59	PA 6/66	Std.	Natural	-
93N.040.0300.A	M 4	30	3.0	7.0	7.59	PA 6/66	Std.	Natural	-
93N.040.0350.A	M 4	35	3.0	7.0	7.59	PA 6/66	Std.	Natural	-
93N.040.0400.A	M 4	40	3.0	7.0	7.59	PA 6/66	Std.	Natural	-



Order No.	d ₁	l ₁	h ₁	A/F	w ₁	Material	Grade	Finish	To standard
93N.050.0060.A	M 5	6	3.8	8.0	8.71	PA 6/66	Std.	Natural	-
93N.050.0080.A	M 5	8	3.8	8.0	8.71	PA 6/66	Std.	Natural	-
93N.050.0100.A	M 5	10	3.8	8.0	8.71	PA 6/66	Std.	Natural	-
93N.050.0120.A	M 5	12	3.8	8.0	8.71	PA 6/66	Std.	Natural	-
93N.050.0160.A	M 5	16	3.8	8.0	8.71	PA 6/66	Std.	Natural	-
93N.050.0200.A	M 5	20	3.8	8.0	8.71	PA 6/66	Std.	Natural	-
93N.050.0250.A	M 5	25	3.8	8.0	8.71	PA 6/66	Std.	Natural	-
93N.050.0300.A	M 5	30	3.8	8.0	8.71	PA 6/66	Std.	Natural	-
93N.050.0350.A	M 5	35	3.8	8.0	8.71	PA 6/66	Std.	Natural	-
93N.050.0400.A	M 5	40	3.8	8.0	8.71	PA 6/66	Std.	Natural	-
93N.050.0500.	M 5	50	3.8	8.0	8.71	PA 6/66	Std.	Natural	DIN 933
93N.060.0080.A	M 6	8	4.7	10.0	11.05	PA 6/66	Std.	Natural	-
93N.060.0120.A	M 6	12	4.7	10.0	11.05	PA 6/66	Std.	Natural	-
93N.060.0200.A	M 6	20	4.7	10.0	11.05	PA 6/66	Std.	Natural	-
93N.060.0250.A	M 6	25	4.7	10.0	11.05	PA 6/66	Std.	Natural	-
93N.060.0300.A	M 6	30	4.7	10.0	11.05	PA 6/66	Std.	Natural	-
93N.060.0400.A	M 6	40	4.7	10.0	11.05	PA 6/66	Std.	Natural	-
93N.060.0500.A	M 6	50	4.7	10.0	11.05	PA 6/66	Std.	Natural	-
93N.060.0600.A	M 6	60	4.7	10.0	11.05	PA 6/66	Std.	Natural	-
93N.060.0700.A	M 6	70	4.7	10.0	11.05	PA 6/66	Std.	Natural	-
93N.080.0100.A	M 8	10	6.0	13.0	14.38	PA 6/66	Std.	Natural	-
93N.080.0160.A	M 8	16	6.0	13.0	14.38	PA 6/66	Std.	Natural	-
93N.080.0200.A	M 8	20	6.0	13.0	14.38	PA 6/66	Std.	Natural	-
93N.080.0300.A	M 8	30	6.0	13.0	14.38	PA 6/66	Std.	Natural	-
93N.080.0350.A	M 8	35	6.0	13.0	14.38	PA 6/66	Std.	Natural	-
93N.080.0400.A	M 8	40	6.0	13.0	14.38	PA 6/66	Std.	Natural	-
93N.080.0500.A	M 8	50	6.0	13.0	14.38	PA 6/66	Std.	Natural	-
93N.080.0600.	M 8	60	5.3	13.0	14.38	PA 6/66	Std.	Natural	DIN 933
93N.080.0700.A	M 8	70	6.0	13.0	14.38	PA 6/66	Std.	Natural	-
93N.080.0800.A	M 8	80	6.0	13.0	14.38	PA 6/66	Std.	Natural	-
93N.100.0060.	M10	6	6.4	17.0	17.77	PA 6/66	Std.	Natural	DIN 933
93N.100.0200.A	M10	20	7.5	17.0	17.77	PA 6/66	Std.	Natural	-
93N.100.0250.A	M10	25	7.5	17.0	17.77	PA 6/66	Std.	Natural	-
93N.100.0300.A	M10	30	7.5	17.0	17.77	PA 6/66	Std.	Natural	-
93N.100.0350.A	M10	35	7.5	17.0	17.77	PA 6/66	Std.	Natural	-
93N.100.0400.A	M10	40	7.5	17.0	17.77	PA 6/66	Std.	Natural	-
93N.100.0500.A	M10	50	7.5	17.0	17.77	PA 6/66	Std.	Natural	-
93N.100.0600.A	M10	60	7.5	17.0	17.77	PA 6/66	Std.	Natural	-
93N.100.0800.A	M10	80	6.4	17.0	17.77	PA 6/66	Std.	Natural	-
93N.100.0900.A	M10	90	6.4	17.0	17.77	PA 6/66	Std.	Natural	-
93N.100.1000.A	M10	100	6.4	17.0	17.77	PA 6/66	Std.	Natural	-
93N.120.0250.A	M12	25	9.0	19.0	20.03	PA 6/66	Std.	Natural	-
93N.120.0500.A	M12	50	9.0	19.0	20.03	PA 6/66	Std.	Natural	-
93N.160.0700.	M16	70	10.0	24.0	26.7	PA 6/66	Std.	Natural	DIN 933
93N.160.1000.	M16	100	10.0	24.0	26.7	PA 6/66	Std.	Natural	DIN 933