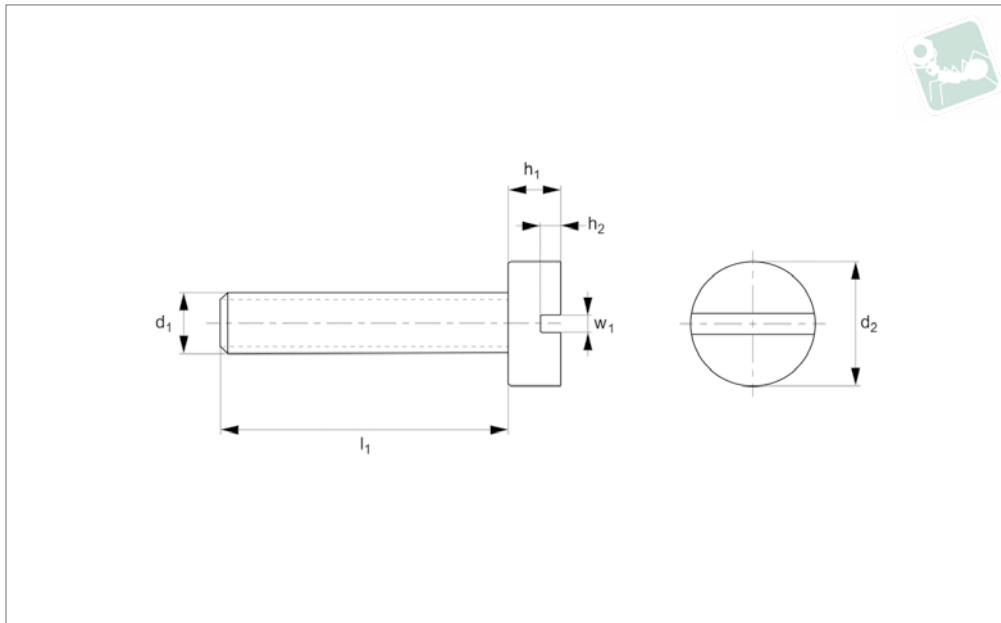




Slot Cheese Machine Screws

DIN 84

Nylon



N0001.84N

NYLON

Material

Nylon 66 (PA 6/66), standard.

Technical Notes

DIN norms were created for metal parts, the dimensions of our plastic DIN equivalents are close to the norm but do not

follow the strict tolerances typically relevant to metal parts.

Many Nylon parts are available in dyed black, this subject to a minimum value and process charge, please contact us for further details.

Dyed black colour is not long term UV stable. Nylon parts offer good electrical insulation, is resistant to corrosion and most dilute acids.

Nylon protects work surfaces and absorbs shocks and vibrations.

Order No.	d ₁	l ₁	d ₂	h ₁	h ₂	w ₁	Material	Grade	Finish	To standard
84N.020.0040.0A	M 2	4	3.8	1.3	0.6	0.5	PA-6/66	Std	Natural	-
84N.020.0050.0A	M 2	5	3.8	1.3	0.6	0.5	PA-6/66	Std	Natural	-
84N.020.0060.0A	M 2	6	3.8	1.3	0.6	0.5	PA-6/66	Std	Natural	-
84N.020.0060.0AD	M 2	6	3.8	1.4	0.6	0.5	PA-6/66	Std	Natural	DIN 84
84N.020.0080.0A	M 2	8	3.8	1.3	0.6	0.5	PA-6/66	Std	Natural	-
84N.020.0080.0AD	M 2	8	3.8	1.4	0.6	0.5	PA-6/66	Std	Natural	DIN 84
84N.020.0100.0A	M 2	10	3.8	1.3	0.6	0.5	PA-6/66	Std	Natural	-
84N.020.0100.0AD	M 2	10	3.8	1.4	0.6	0.5	PA-6/66	Std	Natural	DIN 84
84N.020.0120.0A	M 2	12	3.8	1.3	0.6	0.5	PA-6/66	Std	Natural	-
84N.020.0120.0AD	M 2	12	3.8	1.4	0.6	0.5	PA-6/66	Std	Natural	DIN 84
84N.020.0160.0A	M 2	16	3.8	1.3	0.6	0.5	PA-6/66	Std	Natural	-
84N.020.0160.0AD	M 2	16	3.8	1.4	0.6	0.5	PA-6/66	Std	Natural	DIN 84
84N.020.0200.0A	M 2	20	3.8	1.3	0.6	0.5	PA-6/66	Std	Natural	-
84N.020.0200.0AD	M 2	20	3.8	1.4	0.6	0.5	PA-6/66	Std	Natural	DIN 84
84N.020.0250.0A	M 2	25	3.8	1.3	0.6	0.5	PA-6/66	Std	Natural	-
84N.025.0040.0A	M2,5	4	4.5	1.8	0.7	0.8	PA-6/66	Std	Natural	-
84N.025.0060.0A	M2,5	6	4.5	1.8	0.7	0.8	PA-6/66	Std	Natural	-
84N.025.0060.0AD	M2,5	6	4.5	1.8	0.7	0.6	PA-6/66	Std	Natural	DIN 84
84N.025.0080.0A	M2,5	8	4.5	1.8	0.7	0.8	PA-6/66	Std	Natural	-
84N.025.0080.0AD	M2,5	8	4.5	1.8	0.7	0.6	PA-6/66	Std	Natural	DIN 84
84N.025.0100.0A	M2,5	10	4.5	1.8	0.7	0.8	PA-6/66	Std	Natural	-
84N.025.0100.0AD	M2,5	10	4.5	1.8	0.7	0.6	PA-6/66	Std	Natural	DIN 84
84N.025.0120.0A	M2,5	12	4.5	1.8	0.7	0.8	PA-6/66	Std	Natural	-
84N.025.0120.0AD	M2,5	12	4.5	1.8	0.7	0.6	PA-6/66	Std	Natural	DIN 84
84N.025.0160.0A	M2,5	16	4.5	1.8	0.7	0.8	PA-6/66	Std	Natural	-
84N.025.0160.0AD	M2,5	16	4.5	1.8	0.7	0.6	PA-6/66	Std	Natural	DIN 84
84N.025.0180.0A	M2,5	18	4.5	1.8	0.7	0.8	PA-6/66	Std	Natural	-
84N.025.0200.0A	M2,5	20	4.5	1.8	0.7	0.8	PA-6/66	Std	Natural	-
84N.025.0200.0AD	M2,5	20	4.5	1.8	0.7	0.6	PA-6/66	Std	Natural	DIN 84
84N.025.0250.0A	M2,5	25	4.5	1.8	0.7	0.8	PA-6/66	Std	Natural	-
84N.030.0030.0A	M 3	3	5.5	2.0	0.8	0.8	PA-6/66	Std	Natural	-
84N.030.0040.0A	M 3	4	5.5	2.0	0.8	0.8	PA-6/66	Std	Natural	-



Order No.	d ₁	l ₁	d ₂	h ₁	h ₂	w ₁	Material	Grade	Finish	To standard
84N.030.0050.OA	M 3	5	5.5	2.0	0.8	0.8	PA-6/66	Std	Natural	-
84N.030.0050.OAD	M 3	5	5.5	2.0	0.8	0.8	PA-6/66	Std	Natural	DIN 84
84N.030.0060.OA	M 3	6	5.5	2.0	0.8	0.8	PA-6/66	Std	Natural	-
84N.030.0060.OAD	M 3	6	5.5	2.0	0.8	0.8	PA-6/66	Std	Natural	DIN 84
84N.030.0080.OA	M 3	8	5.5	2.0	0.8	0.8	PA-6/66	Std	Natural	-
84N.030.0080.OAD	M 3	8	5.5	2.0	0.8	0.8	PA-6/66	Std	Natural	DIN 84
84N.030.0100.OA	M 3	10	5.5	2.0	0.8	0.8	PA-6/66	Std	Natural	-
84N.030.0100.OAD	M 3	10	5.5	2.0	0.8	0.8	PA-6/66	Std	Natural	DIN 84
84N.030.0120.OA	M 3	12	5.5	2.0	0.8	0.8	PA-6/66	Std	Natural	-
84N.030.0120.OAD	M 3	12	5.5	2.0	0.8	0.8	PA-6/66	Std	Natural	DIN 84
84N.030.0140.OA	M 3	14	5.5	2.0	0.8	0.8	PA-6/66	Std	Natural	-
84N.030.0160.OA	M 3	16	5.5	2.0	0.8	0.8	PA-6/66	Std	Natural	-
84N.030.0160.OAD	M 3	16	5.5	2.0	0.8	0.8	PA-6/66	Std	Natural	DIN 84
84N.030.0200.OA	M 3	20	5.5	2.0	0.8	0.8	PA-6/66	Std	Natural	-
84N.030.0200.OAD	M 3	20	5.5	2.0	0.8	0.8	PA-6/66	Std	Natural	DIN 84
84N.030.0250.OA	M 3	25	5.5	2.0	0.8	0.8	PA-6/66	Std	Natural	-
84N.030.0250.OAD	M 3	25	5.5	2.0	0.8	0.8	PA-6/66	Std	Natural	DIN 84
84N.030.0300.OA	M 3	30	5.5	2.0	0.8	0.8	PA-6/66	Std	Natural	-
84N.030.0300.OAD	M 3	30	5.5	2.0	0.8	0.8	PA-6/66	Std	Natural	DIN 84
84N.030.0350.OA	M 3	35	5.5	2.0	0.8	0.8	PA-6/66	Std	Natural	-
84N.030.0350.OAD	M 3	35	5.5	2.0	0.8	0.8	PA-6/66	Std	Natural	DIN 84
84N.030.0400.OA	M 3	40	5.5	2.0	0.8	0.8	PA-6/66	Std	Natural	-
84N.030.0400.OAD	M 3	40	5.5	2.0	0.8	0.8	PA-6/66	Std	Natural	DIN 84
84N.030.0420.OA	M 3	42	5.5	2.0	0.8	0.8	PA-6/66	Std	Natural	-
84N.035.0050.OA	M3,5	5	6.0	2.4	1.4	1.1	PA-6/66	Std	Natural	-
84N.035.0060.OA	M3,5	6	6.0	2.4	1.4	1.1	PA-6/66	Std	Natural	-
84N.035.0080.OA	M3,5	8	6.0	2.4	1.4	1.1	PA-6/66	Std	Natural	-
84N.035.0100.OA	M3,5	10	6.0	2.4	1.4	1.1	PA-6/66	Std	Natural	-
84N.035.0120.OA	M3,5	12	6.0	2.4	1.4	1.1	PA-6/66	Std	Natural	-
84N.035.0160.OA	M3,5	16	6.0	2.4	1.4	1.1	PA-6/66	Std	Natural	-
84N.035.0200.OA	M3,5	20	6.0	2.4	1.4	1.1	PA-6/66	Std	Natural	-
84N.035.0250.OA	M3,5	25	6.0	2.4	1.4	1.1	PA-6/66	Std	Natural	-
84N.035.0350.OA	M3,5	35	6.0	2.4	1.4	1.1	PA-6/66	Std	Natural	-
84N.035.0420.OA	M3,5	42	6.0	2.4	1.4	1.1	PA-6/66	Std	Natural	-
84N.040.0040.OA	M 4	4	7.0	2.6	1.1	1.2	PA-6/66	Std	Natural	-
84N.040.0050.OA	M 4	5	7.0	2.6	1.1	1.2	PA-6/66	Std	Natural	-
84N.040.0060.OA	M 4	6	7.0	2.6	1.1	1.2	PA-6/66	Std	Natural	-
84N.040.0060.OAD	M 4	6	7.0	2.6	1.1	1.2	PA-6/66	Std	Natural	DIN 84
84N.040.0080.OA	M 4	8	7.0	2.6	1.1	1.2	PA-6/66	Std	Natural	-
84N.040.0080.OAD	M 4	8	7.0	2.6	1.1	1.2	PA-6/66	Std	Natural	DIN 84
84N.040.0100.OA	M 4	10	7.0	2.6	1.1	1.2	PA-6/66	Std	Natural	-
84N.040.0100.OAD	M 4	10	7.0	2.6	1.1	1.2	PA-6/66	Std	Natural	DIN 84
84N.040.0120.OA	M 4	12	7.0	2.6	1.1	1.2	PA-6/66	Std	Natural	-
84N.040.0120.OAD	M 4	12	7.0	2.6	1.1	1.2	PA-6/66	Std	Natural	DIN 84
84N.040.0160.OA	M 4	16	7.0	2.6	1.1	1.2	PA-6/66	Std	Natural	-
84N.040.0160.OAD	M 4	16	7.0	2.6	1.1	1.2	PA-6/66	Std	Natural	DIN 84
84N.040.0200.OA	M 4	20	7.0	2.6	1.1	1.2	PA-6/66	Std	Natural	-
84N.040.0200.OAD	M 4	20	7.0	2.6	1.1	1.2	PA-6/66	Std	Natural	DIN 84
84N.040.0250.OA	M 4	25	7.0	2.6	1.1	1.2	PA-6/66	Std	Natural	-
84N.040.0250.OAD	M 4	25	7.0	2.6	1.1	1.2	PA-6/66	Std	Natural	DIN 84
84N.040.0300.OA	M 4	30	7.0	2.6	1.1	1.2	PA-6/66	Std	Natural	-
84N.040.0350.OA	M 4	35	7.0	2.6	1.1	1.2	PA-6/66	Std	Natural	-
84N.040.0400.OA	M 4	40	7.0	2.6	1.1	1.2	PA-6/66	Std	Natural	-
84N.050.0060.OA	M 5	6	8.5	3.3	1.3	1.2	PA-6/66	Std	Natural	-
84N.050.0060.OAD	M 5	6	8.5	3.3	1.3	1.2	PA-6/66	Std	Natural	DIN 84
84N.050.0080.OA	M 5	8	8.5	3.3	1.3	1.2	PA-6/66	Std	Natural	-
84N.050.0080.OAD	M 5	8	8.5	3.3	1.3	1.2	PA-6/66	Std	Natural	DIN 84
84N.050.0100.OA	M 5	10	8.5	3.3	1.3	1.2	PA-6/66	Std	Natural	-
84N.050.0100.OAD	M 5	10	8.5	3.3	1.3	1.2	PA-6/66	Std	Natural	DIN 84
84N.050.0120.OA	M 5	12	8.5	3.3	1.3	1.2	PA-6/66	Std	Natural	-
84N.050.0120.OAD	M 5	12	8.5	3.3	1.3	1.2	PA-6/66	Std	Natural	DIN 84
84N.050.0150.OAD	M 5	15	8.5	3.3	1.3	1.2	PA-6/66	Std	Natural	DIN 84
84N.050.0160.OA	M 5	16	8.5	3.3	1.3	1.2	PA-6/66	Std	Natural	-
84N.050.0160.OAD	M 5	16	8.5	3.3	1.3	1.2	PA-6/66	Std	Natural	DIN 84
84N.050.0170.OAD	M 5	17	8.5	3.3	1.3	1.2	PA-6/66	Std	Natural	DIN 84
84N.050.0200.OA	M 5	20	8.5	3.3	1.3	1.2	PA-6/66	Std	Natural	-
84N.050.0200.OAD	M 5	20	8.5	3.3	1.3	1.2	PA-6/66	Std	Natural	DIN 84
84N.050.0250.OA	M 5	25	8.5	3.3	1.3	1.2	PA-6/66	Std	Natural	-
84N.050.0250.OAD	M 5	25	8.5	3.3	1.3	1.2	PA-6/66	Std	Natural	DIN 84



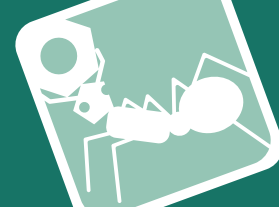
Slot Cheese Machine Screws

DIN 84

Nylon

Order No.	d ₁	l ₁	d ₂	h ₁	h ₂	w ₁	Material	Grade	Finish	To standard
84N.050.0300.0A	M 5	30	8.5	3.3	1.3	1.2	PA-6/66	Std	Natural	-
84N.050.0300.0AD	M 5	30	8.5	3.3	1.3	1.2	PA-6/66	Std	Natural	DIN 84
84N.050.0350.0A	M 5	35	8.5	3.3	1.3	1.2	PA-6/66	Std	Natural	-
84N.050.0350.0AD	M 5	35	8.5	3.3	1.3	1.2	PA-6/66	Std	Natural	DIN 84
84N.050.0400.0A	M 5	40	8.5	3.3	1.3	1.2	PA-6/66	Std	Natural	-
84N.050.0400.0AD	M 5	40	8.5	3.3	1.3	1.2	PA-6/66	Std	Natural	DIN 84
84N.050.0450.0AD	M 5	45	8.5	3.3	1.3	1.2	PA-6/66	Std	Natural	DIN 84
84N.050.0500.0A	M 5	50	8.5	3.3	1.3	1.2	PA-6/66	Std	Natural	-
84N.050.0500.0AD	M 5	50	8.5	3.3	1.3	1.2	PA-6/66	Std	Natural	DIN 84
84N.050.0550.0AD	M 5	55	8.5	3.3	1.3	1.2	PA-6/66	Std	Natural	DIN 84
84N.050.0600.0AD	M 5	60	8.5	3.3	1.3	1.2	PA-6/66	Std	Natural	DIN 84
84N.050.0650.0AD	M 5	65	8.5	3.3	1.3	1.2	PA-6/66	Std	Natural	DIN 84
84N.050.0700.0AD	M 5	70	8.5	3.3	1.3	1.2	PA-6/66	Std	Natural	DIN 84
84N.060.0050.0A	M 6	5	10.0	3.9	1.6	1.6	PA-6/66	Std	Natural	-
84N.060.0060.0AD	M 6	6	10.0	3.9	1.6	1.6	PA-6/66	Std	Natural	DIN 84
84N.060.0080.0A	M 6	8	10.0	3.9	1.6	1.6	PA-6/66	Std	Natural	-
84N.060.0080.0AD	M 6	8	10.0	3.9	1.6	1.6	PA-6/66	Std	Natural	DIN 84
84N.060.0100.0A	M 6	10	10.0	3.9	1.6	1.6	PA-6/66	Std	Natural	-
84N.060.0100.0AD	M 6	10	10.0	3.9	1.6	1.6	PA-6/66	Std	Natural	DIN 84
84N.060.0120.0A	M 6	12	10.0	3.9	1.6	1.6	PA-6/66	Std	Natural	-
84N.060.0120.0AD	M 6	12	10.0	3.9	1.6	1.6	PA-6/66	Std	Natural	DIN 84
84N.060.0150.0AD	M 6	15	10.0	3.9	1.6	1.6	PA-6/66	Std	Natural	DIN 84
84N.060.0160.0A	M 6	16	10.0	3.9	1.6	1.6	PA-6/66	Std	Natural	-
84N.060.0160.0AD	M 6	16	10.0	3.9	1.6	1.6	PA-6/66	Std	Natural	DIN 84
84N.060.0170.0AD	M 6	17	10.0	3.9	1.6	1.6	PA-6/66	Std	Natural	DIN 84
84N.060.0200.0A	M 6	20	10.0	3.9	1.6	1.6	PA-6/66	Std	Natural	-
84N.060.0200.0AD	M 6	20	10.0	3.9	1.6	1.6	PA-6/66	Std	Natural	DIN 84
84N.060.0250.0A	M 6	25	10.0	3.9	1.6	1.6	PA-6/66	Std	Natural	-
84N.060.0250.0AD	M 6	25	10.0	3.9	1.6	1.6	PA-6/66	Std	Natural	DIN 84
84N.060.0300.0A	M 6	30	10.0	3.9	1.6	1.6	PA-6/66	Std	Natural	-
84N.060.0300.0AD	M 6	30	10.0	3.9	1.6	1.6	PA-6/66	Std	Natural	DIN 84
84N.060.0350.0A	M 6	35	10.0	3.9	1.6	1.6	PA-6/66	Std	Natural	-
84N.060.0350.0AD	M 6	35	10.0	3.9	1.6	1.6	PA-6/66	Std	Natural	DIN 84
84N.060.0400.0A	M 6	40	10.0	3.9	1.6	1.6	PA-6/66	Std	Natural	-
84N.060.0400.0AD	M 6	40	10.0	3.9	1.6	1.6	PA-6/66	Std	Natural	DIN 84
84N.060.0450.0A	M 6	45	10.0	3.9	1.6	1.6	PA-6/66	Std	Natural	-
84N.060.0450.0AD	M 6	45	10.0	3.9	1.6	1.6	PA-6/66	Std	Natural	DIN 84
84N.060.0500.0A	M 6	50	10.0	3.9	1.6	1.6	PA-6/66	Std	Natural	-
84N.060.0500.0AD	M 6	50	10.0	3.9	1.6	1.6	PA-6/66	Std	Natural	DIN 84
84N.060.0550.0AD	M 6	55	10.0	3.9	1.6	1.6	PA-6/66	Std	Natural	DIN 84
84N.060.0600.0A	M 6	60	10.0	3.9	1.6	1.6	PA-6/66	Std	Natural	-
84N.060.0600.0AD	M 6	60	10.0	3.9	1.6	1.6	PA-6/66	Std	Natural	DIN 84
84N.060.0650.0AD	M 6	65	10.0	3.9	1.6	1.6	PA-6/66	Std	Natural	DIN 84
84N.060.0700.0A	M 6	70	10.0	3.9	1.6	1.6	PA-6/66	Std	Natural	-
84N.060.0700.0AD	M 6	70	10.0	3.9	1.6	1.6	PA-6/66	Std	Natural	DIN 84
84N.060.0750.0A	M 6	75	10.0	3.9	1.6	1.6	PA-6/66	Std	Natural	-
84N.060.0750.0AD	M 6	75	10.0	3.9	1.6	1.6	PA-6/66	Std	Natural	DIN 84
84N.060.0800.0A	M 6	80	10.0	3.9	1.6	1.6	PA-6/66	Std	Natural	-
84N.060.0800.0AD	M 6	80	10.0	3.9	1.6	1.6	PA-6/66	Std	Natural	DIN 84
84N.060.0850.0AD	M 6	85	10.0	3.9	1.6	1.6	PA-6/66	Std	Natural	DIN 84
84N.060.0900.0AD	M 6	90	10.0	3.9	1.6	1.6	PA-6/66	Std	Natural	DIN 84
84N.060.0950.0AD	M 6	95	10.0	3.9	1.6	1.6	PA-6/66	Std	Natural	DIN 84
84N.060.1000.0AD	M 6	100	10.0	3.9	1.6	1.6	PA-6/66	Std	Natural	DIN 84
84N.060.1100.0AD	M 6	110	10.0	3.9	1.6	1.6	PA-6/66	Std	Natural	DIN 84
84N.060.1200.0AD	M 6	120	10.0	3.9	1.6	1.6	PA-6/66	Std	Natural	DIN 84
84N.060.1300.0AD	M 6	130	10.0	3.9	1.6	1.6	PA-6/66	Std	Natural	DIN 84
84N.080.0080.0AD	M 8	8	13.0	5.0	2.0	2.3	PA-6/66	Std	Natural	DIN 84
84N.080.0100.0AD	M 8	10	13.0	5.0	2.0	2.3	PA-6/66	Std	Natural	DIN 84
84N.080.0120.0AD	M 8	12	13.0	5.0	2.0	2.3	PA-6/66	Std	Natural	DIN 84
84N.080.0150.0AD	M 8	15	13.0	5.0	2.0	2.3	PA-6/66	Std	Natural	DIN 84
84N.080.0160.0AD	M 8	16	13.0	5.0	2.0	2.3	PA-6/66	Std	Natural	DIN 84
84N.080.0170.0AD	M 8	17	13.0	5.0	2.0	2.3	PA-6/66	Std	Natural	DIN 84
84N.080.0200.0AD	M 8	20	13.0	5.0	2.0	2.3	PA-6/66	Std	Natural	DIN 84
84N.080.0250.0AD	M 8	25	13.0	5.0	2.0	2.3	PA-6/66	Std	Natural	DIN 84
84N.080.0300.0AD	M 8	30	13.0	5.0	2.0	2.3	PA-6/66	Std	Natural	DIN 84
84N.080.0350.0AD	M 8	35	13.0	5.0	2.0	2.3	PA-6/66	Std	Natural	DIN 84
84N.080.0400.0A	M 8	40	13.0	5.0	2.0	2.3	PA-6/66	Std	Natural	-
84N.080.0400.0AD	M 8	40	13.0	5.0	2.0	2.3	PA-6/66	Std	Natural	DIN 84
84N.080.0450.0AD	M 8	45	13.0	5.0	2.0	2.3	PA-6/66	Std	Natural	DIN 84

NOTEN



Order No.	d ₁	l ₁	d ₂	h ₁	h ₂	w ₁	Material	Grade	Finish	To standard
84N.080.0500.OAD	M 8	50	13.0	5.0	2.0	2.3	PA-6/66	Std	Natural	DIN 84
84N.080.0550.OAD	M 8	55	13.0	5.0	2.0	2.3	PA-6/66	Std	Natural	DIN 84
84N.080.0600.OA	M 8	60	13.0	5.0	2.0	2.3	PA-6/66	Std	Natural	-
84N.080.0600.OAD	M 8	60	13.0	5.0	2.0	2.3	PA-6/66	Std	Natural	DIN 84
84N.080.0650.OAD	M 8	65	13.0	5.0	2.0	2.3	PA-6/66	Std	Natural	DIN 84
84N.080.0700.OAD	M 8	70	13.0	5.0	2.0	2.3	PA-6/66	Std	Natural	DIN 84
84N.080.0750.OAD	M 8	75	13.0	5.0	2.0	2.3	PA-6/66	Std	Natural	DIN 84
84N.080.0800.OA	M 8	80	13.0	5.0	2.0	2.3	PA-6/66	Std	Natural	-
84N.080.0800.OAD	M 8	80	13.0	5.0	2.0	2.3	PA-6/66	Std	Natural	DIN 84
84N.080.0850.OAD	M 8	85	13.0	5.0	2.0	2.3	PA-6/66	Std	Natural	DIN 84
84N.080.0900.OAD	M 8	90	13.0	5.0	2.0	2.3	PA-6/66	Std	Natural	DIN 84
84N.080.0950.OAD	M 8	95	13.0	5.0	2.0	2.3	PA-6/66	Std	Natural	DIN 84
84N.080.1000.OAD	M 8	100	13.0	5.0	2.0	2.3	PA-6/66	Std	Natural	DIN 84
84N.080.1100.OAD	M 8	110	13.0	5.0	2.0	2.3	PA-6/66	Std	Natural	DIN 84
84N.080.1200.OAD	M 8	120	13.0	5.0	2.0	2.3	PA-6/66	Std	Natural	DIN 84
84N.080.1300.OAD	M 8	130	13.0	5.0	2.0	2.3	PA-6/66	Std	Natural	DIN 84
84N.100.0080.OAD	M10	8	16.0	6.0	2.4	2.5	PA-6/66	Std	Natural	DIN 84
84N.100.0100.OAD	M10	10	16.0	6.0	2.4	2.5	PA-6/66	Std	Natural	DIN 84
84N.100.0120.OAD	M10	12	16.0	6.0	2.4	2.5	PA-6/66	Std	Natural	DIN 84
84N.100.0150.OAD	M10	15	16.0	6.0	2.4	2.5	PA-6/66	Std	Natural	DIN 84
84N.100.0170.OAD	M10	17	16.0	6.0	2.4	2.5	PA-6/66	Std	Natural	DIN 84
84N.100.0160.OAD	M10	16	16.0	6.0	2.4	2.5	PA-6/66	Std	Natural	DIN 84
84N.100.0200.OAD	M10	20	16.0	6.0	2.4	2.5	PA-6/66	Std	Natural	DIN 84
84N.100.0250.OAD	M10	25	16.0	6.0	2.4	2.5	PA-6/66	Std	Natural	DIN 84
84N.100.0300.OAD	M10	30	16.0	6.0	2.4	2.5	PA-6/66	Std	Natural	DIN 84
84N.100.0350.OAD	M10	35	16.0	6.0	2.4	2.5	PA-6/66	Std	Natural	DIN 84
84N.100.0400.OA	M10	40	16.0	6.0	2.4	2.8	PA-6/66	Std	Natural	-
84N.100.0400.OAD	M10	40	16.0	6.0	2.4	2.5	PA-6/66	Std	Natural	DIN 84
84N.100.0450.OAD	M10	45	16.0	6.0	2.4	2.5	PA-6/66	Std	Natural	DIN 84
84N.100.0500.OAD	M10	50	16.0	6.0	2.4	2.5	PA-6/66	Std	Natural	DIN 84
84N.100.0550.OAD	M10	55	16.0	6.0	2.4	2.5	PA-6/66	Std	Natural	DIN 84
84N.100.0600.OAD	M10	60	16.0	6.0	2.4	2.5	PA-6/66	Std	Natural	DIN 84
84N.100.0650.OAD	M10	65	16.0	6.0	2.4	2.5	PA-6/66	Std	Natural	DIN 84
84N.100.0700.OAD	M10	70	16.0	6.0	2.4	2.5	PA-6/66	Std	Natural	DIN 84
84N.100.0750.OAD	M10	75	16.0	6.0	2.4	2.5	PA-6/66	Std	Natural	DIN 84
84N.100.0800.OA	M10	80	16.0	6.0	2.4	2.8	PA-6/66	Std	Natural	-
84N.100.0800.OAD	M10	80	16.0	6.0	2.4	2.5	PA-6/66	Std	Natural	DIN 84
84N.100.0850.OAD	M10	85	16.0	6.0	2.4	2.5	PA-6/66	Std	Natural	DIN 84
84N.100.0900.OAD	M10	90	16.0	6.0	2.4	2.5	PA-6/66	Std	Natural	DIN 84
84N.100.0950.OAD	M10	95	16.0	6.0	2.4	2.5	PA-6/66	Std	Natural	DIN 84
84N.100.1000.OAD	M10	100	16.0	6.0	2.4	2.5	PA-6/66	Std	Natural	DIN 84
84N.100.1100.OAD	M10	110	16.0	6.0	2.4	2.5	PA-6/66	Std	Natural	DIN 84
84N.100.1200.OAD	M10	120	16.0	6.0	2.4	2.5	PA-6/66	Std	Natural	DIN 84
84N.100.1300.OAD	M10	130	16.0	6.0	2.4	2.5	PA-6/66	Std	Natural	DIN 84
84N.120.1000.OAD	M12	100	18.0	7.0	2.4	2.5	PA-6/66	Std	Natural	DIN 84
84N.120.0100.OAD	M12	10	18.0	7.0	2.4	2.5	PA-6/66	Std	Natural	DIN 84
84N.120.0120.OAD	M12	12	18.0	7.0	2.4	2.5	PA-6/66	Std	Natural	DIN 84
84N.120.0150.OAD	M12	15	18.0	7.0	2.4	2.5	PA-6/66	Std	Natural	-
84N.120.0160.OAD	M12	16	18.0	7.0	2.4	2.5	PA-6/66	Std	Natural	DIN 84
84N.120.0200.OAD	M12	20	18.0	7.0	2.4	2.5	PA-6/66	Std	Natural	DIN 84
84N.120.0250.OAD	M12	25	18.0	7.0	2.4	2.5	PA-6/66	Std	Natural	DIN 84
84N.120.0300.OAD	M12	30	18.0	7.0	2.4	2.5	PA-6/66	Std	Natural	DIN 84
84N.120.0350.OAD	M12	35	18.0	7.0	2.4	2.5	PA-6/66	Std	Natural	DIN 84
84N.120.0400.OAD	M12	40	18.0	7.0	2.4	2.5	PA-6/66	Std	Natural	DIN 84
84N.120.0450.OAD	M12	45	18.0	7.0	2.4	2.5	PA-6/66	Std	Natural	DIN 84
84N.120.0500.OAD	M12	50	18.0	7.0	2.4	2.5	PA-6/66	Std	Natural	DIN 84
84N.120.0550.OAD	M12	55	18.0	7.0	2.4	2.5	PA-6/66	Std	Natural	DIN 84
84N.120.0600.OAD	M12	60	18.0	7.0	2.4	2.5	PA-6/66	Std	Natural	DIN 84
84N.120.0650.OAD	M12	65	18.0	7.0	2.4	2.5	PA-6/66	Std	Natural	DIN 84
84N.120.0700.OAD	M12	70	18.0	7.0	2.4	2.5	PA-6/66	Std	Natural	DIN 84
84N.120.0750.OAD	M12	75	18.0	7.0	2.4	2.5	PA-6/66	Std	Natural	DIN 84
84N.120.0800.OAD	M12	80	18.0	7.0	2.4	2.5	PA-6/66	Std	Natural	DIN 84
84N.120.0850.OAD	M12	85	18.0	7.0	2.4	2.5	PA-6/66	Std	Natural	DIN 84
84N.120.0900.OAD	M12	90	18.0	7.0	2.4	2.5	PA-6/66	Std	Natural	DIN 84
84N.120.0950.OAD	M12	95	18.0	7.0	2.4	2.5	PA-6/66	Std	Natural	DIN 84
84N.120.1100.OAD	M12	110	18.0	7.0	2.4	2.5	PA-6/66	Std	Natural	DIN 84
84N.120.1200.OAD	M12	120	18.0	7.0	2.4	2.5	PA-6/66	Std	Natural	DIN 84
84N.120.1300.OAD	M12	130	18.0	7.0	2.4	2.5	PA-6/66	Std	Natural	DIN 84