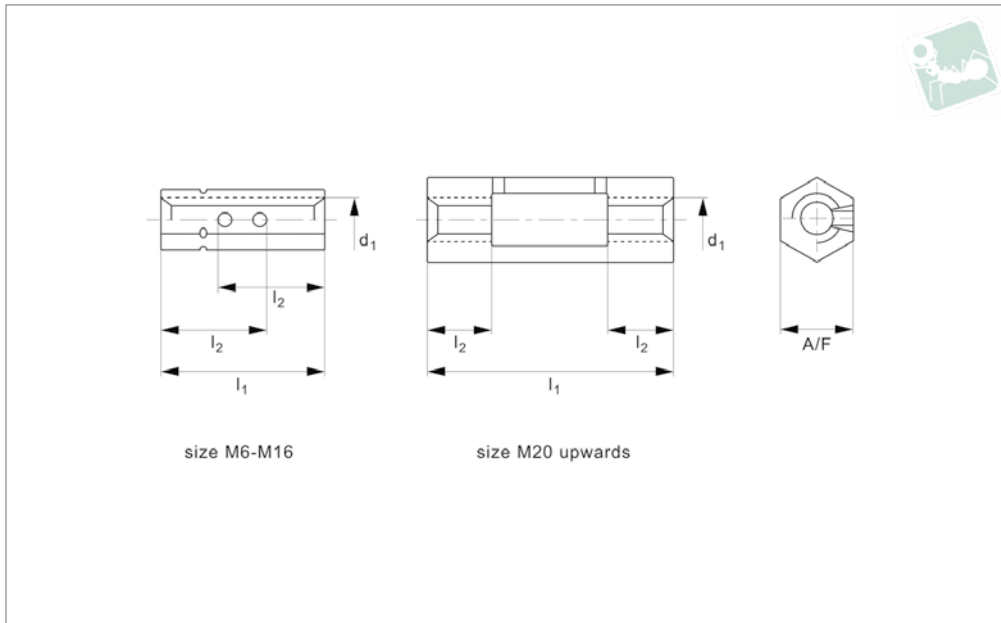




Hexagonal Body Turnbuckles

steel

Turnbuckles



LP1325

TURNBUCKLES

Material

Steel (1.0037), zinc-plated.
Hot dip galvanized, available on request providing increased protection against corrosion. Please add -FZ for hot dip galvanized, e.g. LP1304.006-FZ.

Technical Notes

To DIN 1479.

Tips

Turnbuckles consist of a metal frame with

right hand thread one end and left hand thread the other end. Used for tensioning by rotating turnbuckle body without twisting attached rope or cable.

Important Notes

L2 dimension indicates the length of thread from each end that has been overcut.

This means you can screw from one end a total of length l2. Please note if screwing in from both ends the length of thread is

half l2.

Sizes M6-M16, have overlapping thread, from M20 middle part is relieved.

Turnbuckles are not to be used for lifting. Only suitable for use in tension.

| Order No. | d ₁ | l ₁ | l ₂ | A/F | Adjustment | Weight kg |
|------------|----------------|----------------|----------------|-----|------------|--------------|
| LP1325.006 | M 6 | 30 | 22.5 | 10 | 15 | 0.02 |
| LP1325.008 | M 8 | 35 | 25.0 | 13 | 15 | 0.03 |
| LP1325.010 | M10 | 45 | 33.0 | 16 | 21 | 0.06 |
| LP1325.012 | M12 | 55 | 40.0 | 18 | 25 | 0.09 |
| LP1325.016 | M16 | 75 | 55.0 | 24 | 35 | 0.18 |
| LP1325.020 | M20 | 95 | 24.0 | 30 | 47 | 0.32 |
| LP1325.024 | M24 | 115 | 29.0 | 36 | 57 | 0.53 |
| LP1325.030 | M30 | 125 | 36.0 | 46 | 53 | 1.08 |