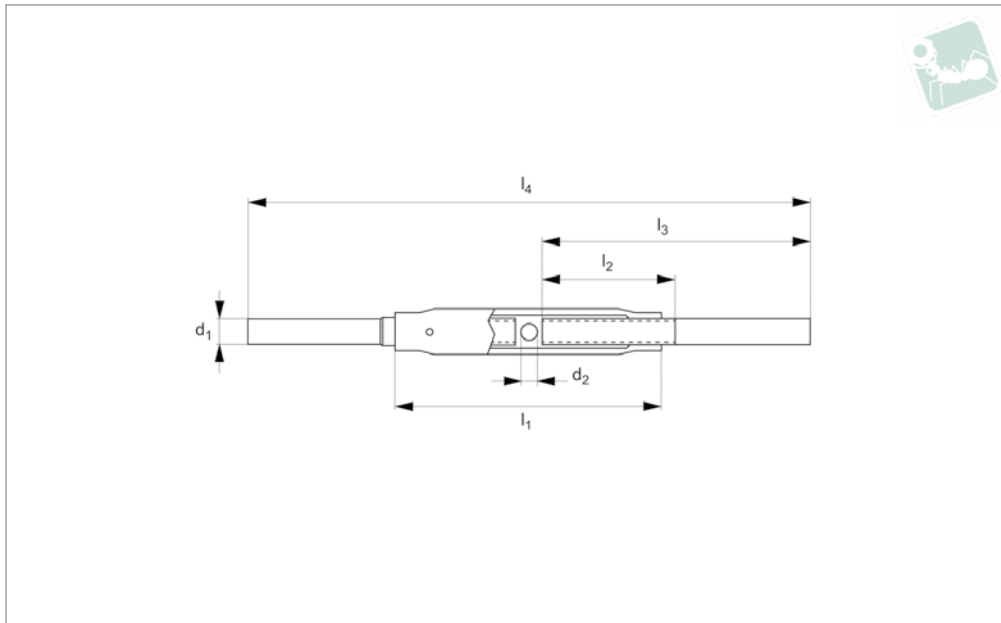




Stud End Pipe Body Turnbuckles

stainless steel

Turnbuckles



LP1306

TURNBUCKLES

Material
Stainless steel (A4)

Technical Notes
To DIN 1478.

Tips
Turnbuckles consist of a metal frame with

right hand thread one end and left hand thread the other end. Used for tensioning by rotating turnbuckle body without twisting attached rope or cable.

Important Notes
Turnbuckles are not to be used for lifting.

Only suitable for use in tension.

Order No.	d ₁	d ₂	l ₁	l ₂	l ₃	l ₄ min.	l ₄ max.	Weight kg
LP1306.006	M 6	6	110	60	120	246	336	0.17
LP1306.008	M 8	8	110	65	120	248	333	0.20
LP1306.010	M10	8	125	75	150	309	404	0.32
LP1306.012	M12	10	125	75	150	311	401	0.45
LP1306.016	M16	10	170	100	200	410	530	0.97
LP1306.020	M20	12	200	120	220	452	592	1.48
LP1306.024	M24	12	255	150	260	533	713	2.62
LP1306.030	M30	16	255	160	260	537	697	4.01
LP1306.036	M36	16	295	180	300	617	797	6.35