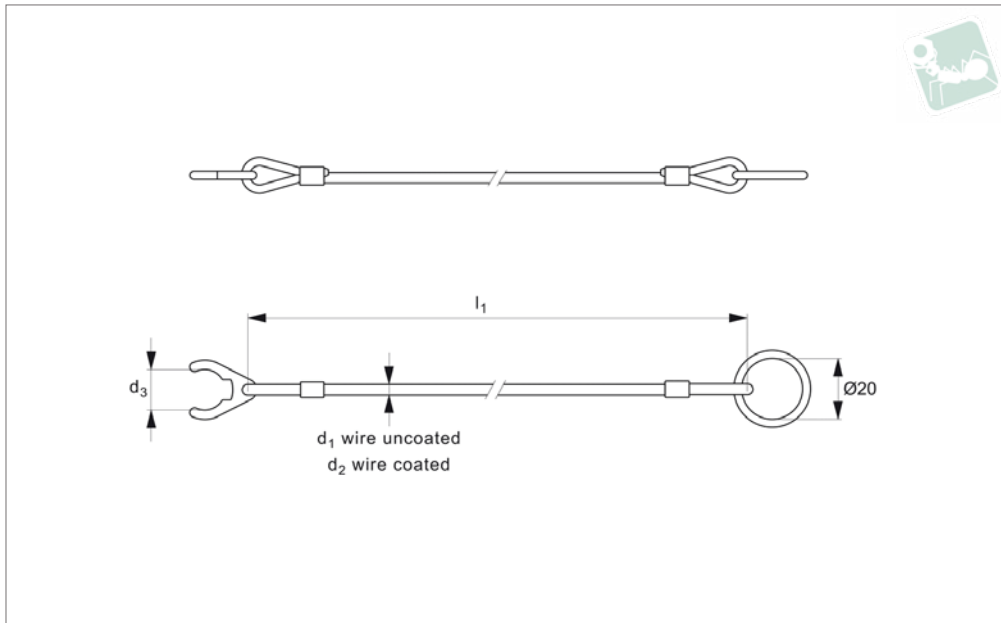




# Lanyard - Circlip End to Loop with crimps brass, tabs stainless steel, for ball lock pins

## Lanyards



**LA1096**

LANYARDS

### Material

Wire rope: stainless steel.  
 Coating (if present): PA6, see table.  
 Crimps/sleeves: brass.  
 Circlip end and split ring: stainless steel.

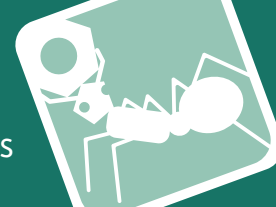
### Technical Notes

Designed specifically to hold ball lock pin 33194.

### Important Notes

Assemble by attaching holding clips to the ball lock pin with a soft-face mallet, disassemble via levering off with a screw driver.

Order No.	Coating	d <sub>1</sub> wire uncoated	l <sub>1</sub>	d <sub>2</sub> wire coated	d <sub>3</sub> for use with part no. 33914 of pin dia d <sub>1</sub>	Weight g
LA1096.M106-150C	Clear	1.5	150	2.0	5/6	6.3
LA1096.M106-200C	Clear	1.5	150	2.0	8/10	7.2
LA1096.M106-300C	Clear	1.5	150	2.0	12/16	8.4
LA1096.M110-150C	Clear	1.5	150	2.0	20/25	11
LA1096.M110-200C	Clear	1.5	200	2.0	5/6	6.9
LA1096.M110-300C	Clear	1.5	200	2.0	8/10	7.8
LA1096.M116-150C	Clear	1.5	200	2.0	12/16	9.0
LA1096.M116-200C	Clear	1.5	200	2.0	20/25	12
LA1096.M116-300C	Clear	1.5	300	2.0	5/6	8.2
LA1096.M125-150C	Clear	1.5	300	2.0	8/10	9.0
LA1096.M125-200C	Clear	1.5	300	2.0	12/16	10
LA1096.M125-300C	Clear	1.5	300	2.0	20/25	13
LA1096.M106-150B	Black	1.5	150	2.0	5/6	6.3
LA1096.M106-200B	Black	1.5	150	2.0	8/10	7.3
LA1096.M106-300B	Black	1.5	150	2.0	12/16	8.4
LA1096.M110-150B	Black	1.5	150	2.0	20/25	11
LA1096.M110-200B	Black	1.5	200	2.0	5/6	7.0
LA1096.M110-300B	Black	1.5	200	2.0	8/10	7.8
LA1096.M116-150B	Black	1.5	200	2.0	12/16	9.0
LA1096.M116-200B	Black	1.5	200	2.0	20/25	12
LA1096.M116-300B	Black	1.5	300	2.0	5/6	8.2
LA1096.M125-150B	Black	1.5	300	2.0	8/10	9.0
LA1096.M125-200B	Black	1.5	300	2.0	12/16	10
LA1096.M125-300B	Black	1.5	300	2.0	20/25	13
LA1096.M106-150N	Uncoated	1.5	150	-	5/6	5.9
LA1096.M106-200N	Uncoated	1.5	150	-	8/10	6.8
LA1096.M106-300N	Uncoated	1.5	150	-	12/16	8.0
LA1096.M110-150N	Uncoated	1.5	150	-	20/25	11
LA1096.M110-200N	Uncoated	1.5	200	-	5/6	6.4
LA1096.M110-300N	Uncoated	1.5	200	-	8/10	7.3
LA1096.M116-150N	Uncoated	1.5	200	-	12/16	8.5
LA1096.M116-200N	Uncoated	1.5	200	-	20/25	12
LA1096.M116-300N	Uncoated	1.5	300	-	5/6	7.4



Order No.	Coating	d <sub>1</sub> wire uncoated	l <sub>1</sub>	d <sub>2</sub> wire coated	d <sub>3</sub> for use with part no. 33914 of pin dia d <sub>1</sub>	Weight g
LA1096.M125-150N	Uncoated	1.5	300	-	8/10	8.6
LA1096.M125-200N	Uncoated	1.5	300	-	12/16	9.5
LA1096.M125-300N	Uncoated	1.5	300	-	20/25	13



### Sound Rigging Systems

Ball lock pins on a sound rigging system. Offering secure fixing with high shear forces and easy fitting for operators at heights.

In addition full black powder coating of grip and actuation button eliminates glare from other stage lighting.



### Gym Equipment



### Scientific and Medical





**Pin Material**

1.4305 (AISI 303) - shear force approx. 60% of higher material version 1.4542

1.4542 (AISI 630) - identified by the ridge on the pin

CRES 17-4PH (AMS 5643) aviation standard



**Handle Style**



Plastic tri-star



T-handled, metal



L-handled, metal



Mushroom, metal



Single piece metal, contoured



Special plastic self-spring



Adjustable grip length, plastic



Key ring



Safety, metal



Mushroom Type B aviation

Type R aviation

**Lanyards and Locating Bushes**



Stainless wire - (coated) - 2 x key ring



Stainless wire - Key ring and fixing loop



Plastic - 2 x cable tie



Steel wire - (coated) - 2 x key ring



Stainless bead chain - 2 x key ring



Locating bushes

**Actuation**



Press = unlock  
Release = lock (standard)



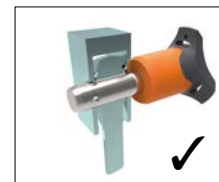
Press = unlock and position  
Release = lock and simultaneous clamp



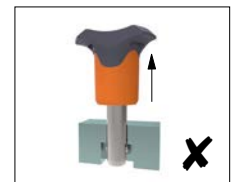
Simple spring loaded balls "pullout pin"

**Important Note**

**Important Note: Ball lock pins are not suited to lifting applications!**  
For quick release lifting pins, see part 33400.



Shear force



Lifting force

**Special Variations**

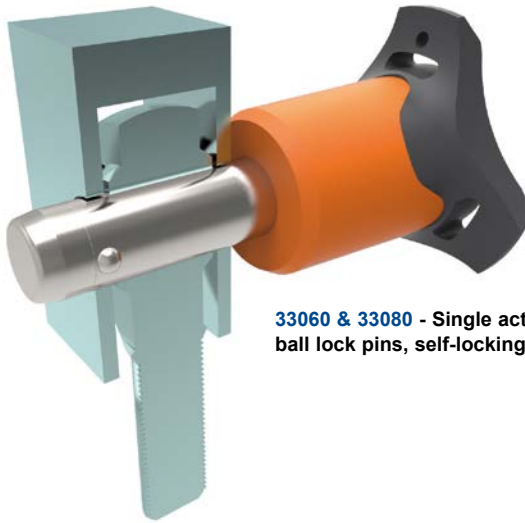


Variations on our standard designs are possible, please contact our sales team for technical assistance. Quick production on specials can be as little as 3 weeks.



### Applications

- Positioning.
- Lifting.
- Locking.
- Indexing.
- Joining.



**33060 & 33080** - Single acting ball lock pins, self-locking.



**33194** - Single acting ball lock pins, self locking, simple finish.



**33140** - Socket pins, non-locking, spring loaded balls.



**33100** - Single acting ball lock pin, self locking.



**33180** - Clamping pins, with span compensation, self-locking.



**33250 & 33270** - Lanyards.



**33220** - Ball lock pins, single acting - L-handle