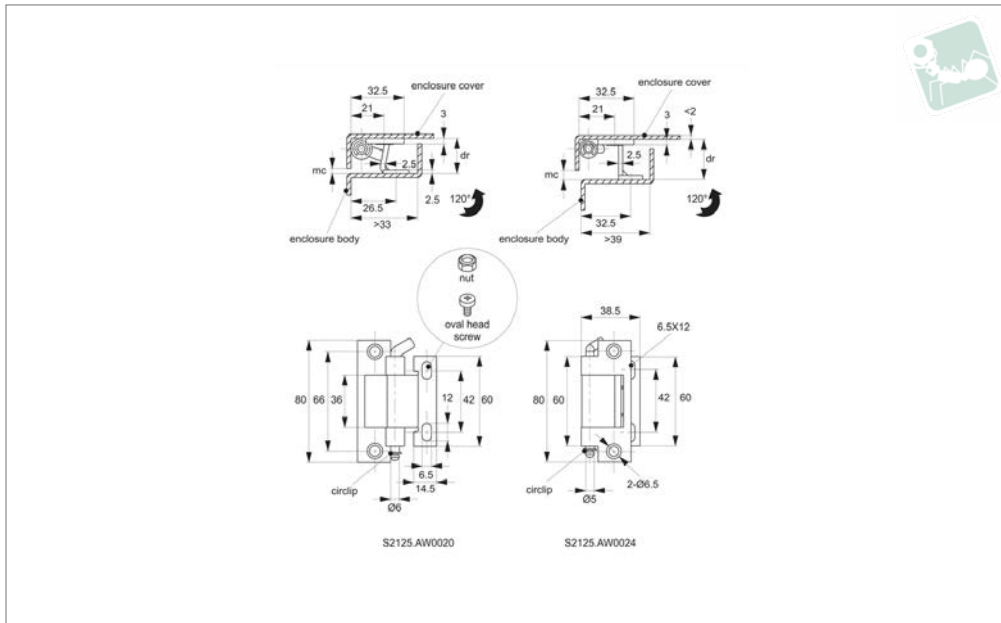




Concealed Pivot Hinges - Lift Off

20 & 24mm door return - weld and oval head screw

Stays & Hinges



HH0730

STAYS & HINGES

Material

Hinge & pin: steel, white zinc plated.

Technical Notes

Suited to sheet metal and machine enclosures with 20-24mm door return. Main body mounted via two M6 screws, hinge plate

welded to frame.

Removable hinge pin enables easy installation, and is held in place via circlip. Max. opening angle 120°.

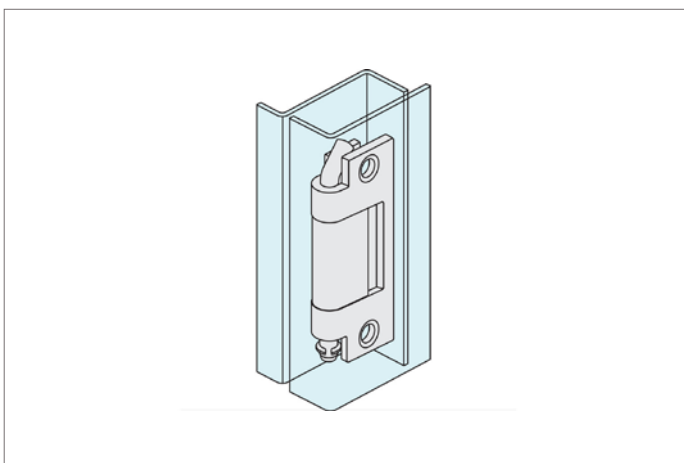
Important Notes

dr= Maximum door return suitable for use

with hinge.

mc= Minimum clearance advised between enclosure cover and body to ensure smooth, full opening of enclosure cover.

Order No.	Door return	Size	F _x N	F _y N	mc min.	ts panel thickness
HH0730.M0020	20.0	60,0 x 33,0 x 20,0	310	480	3.0	2.0
HH0730.M0024	24.5	60,0 x 39,0 x 24,5	310	480	2.5	2.0

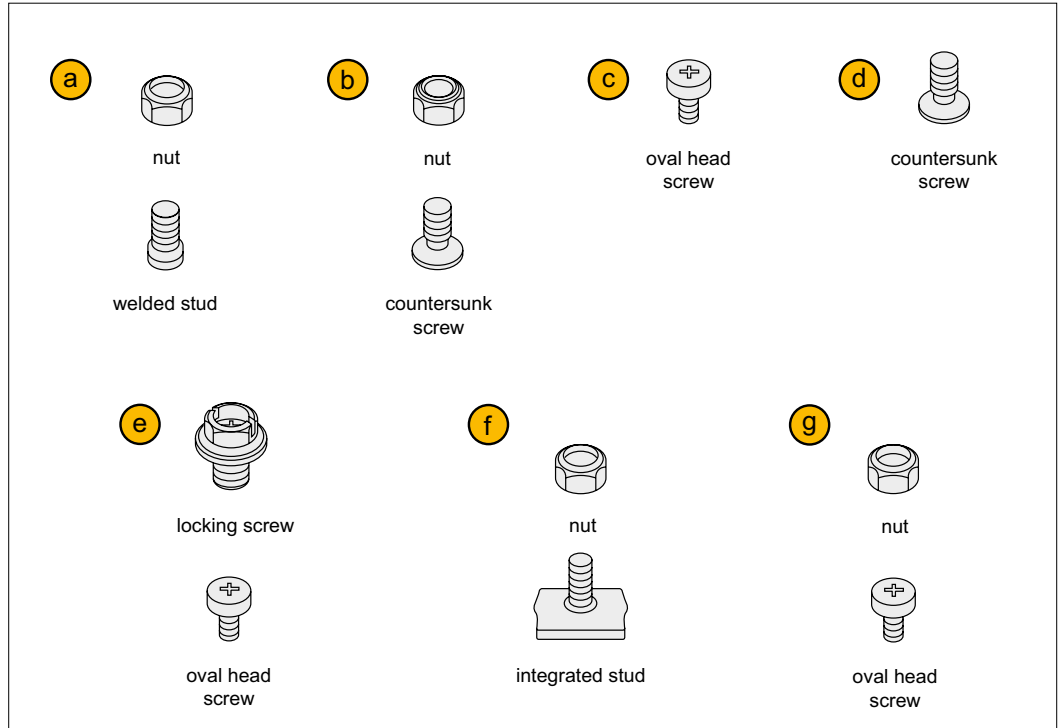




A variety of mounting methods are available!

Mounting combinations

Wixroyd concealed hinges can be mounted in a variety of ways using additional nuts and bolts.



Important Note: Refer to individual product pages for suitable mounting options. If you have any problems please contact our Technical Sales Team.

Mounting example

In the example, mounting option ②, a nut with a countersunk screw, is used to mount the hinge onto the enclosure body.

