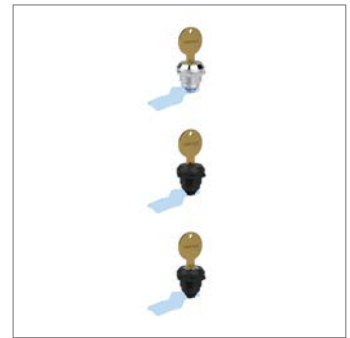
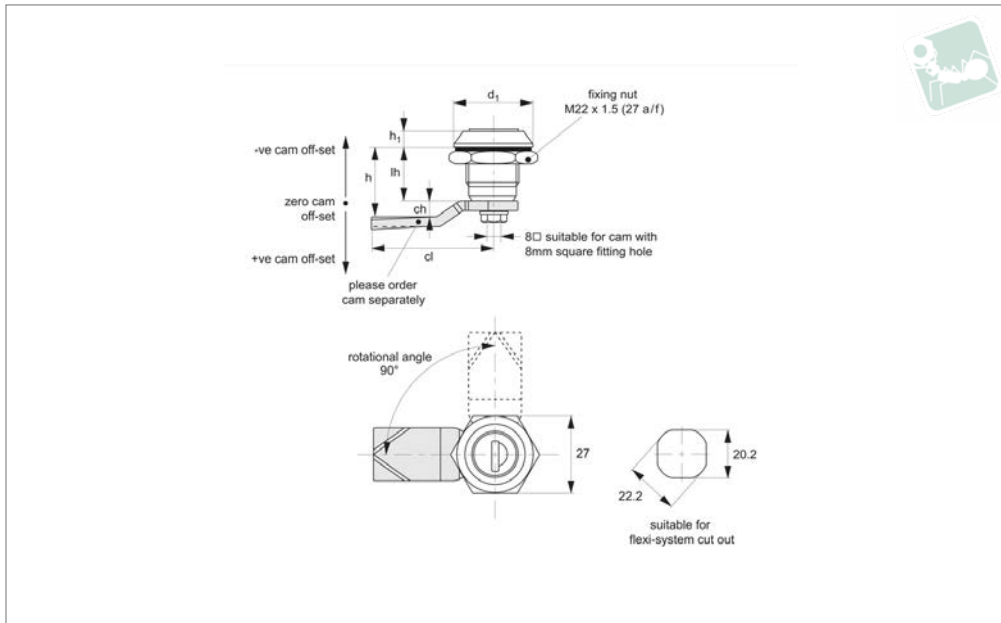




Cam Locks - Flexi-System

fixed grip - zinc

Locks



CC2010

LOCKS

Material

Type one & Two: Body: die cast zinc, finished in chrome plate or black powder coating.
Cylinder lock: die cast zinc, chrome plated.

Type Three: Body: polyamide.
Cylinder lock: die cast zinc, chrome plated.

Supplied with: Keys: two per lock.
Not supplied: CAM - order separately.

Technical Notes

Order cam separately.

Cams: see suitable cam CC0020, and CC0040. Select „without projection“ cam type.

Dimensions ch and cl relate to cam. Use formula to calculate ch (required cam off-set), and refer to cam selection chart;

ch = h - lh where;

ch = required cam off-set/height.

h = grip length (distance between inside of latch face and front of cam).

lh = body length of cam latch/lock to be

used (see product table below).

Rods & Guides: to achieve 3-point latching - CC0340, CC0350, CC0355.

Tips

Quarter turn opening or closing.
Universal left and right application.

Important Notes

Sold subject to pack quantity.

Order No.	Type	Body finish	Key type	d ₁	h ₁	lh
CC2010.M0010	One	Chrome Plated	Keyed Alike	28.0	6	20
CC2010.M0310	Two	Black Coated	Keyed Alike	28.0	6	18
CC2010.M0320	Two	Black Coated	Keyed to Differ	28.0	6	18
CC2010.M0330	Two	Black Coated	Euro	30.0	6	18
CC2010.M0510	Three	Plastic, Black	Keyed Alike	28.0	6	18
CC2010.M0520	Three	Plastic, Black	Keyed to Differ	28.0	6	18